



US00D510998S

(12) **United States Design Patent** (10) **Patent No.:** **US D510,998 S**
Parker et al. (45) **Date of Patent:** **** Oct. 25, 2005**

(54) **HIGH EFFICIENCY AIR CONDITIONER
 CONDENSER TWISTED FAN BLADES AND
 HUB**

D419,669 S * 1/2000 Shinshi et al. D23/413
 6,129,528 A 10/2000 Bradbury 417/423
 6,185,954 B1 2/2001 Smiley 62/426

(75) Inventors: **Danny S. Parker**, Cocoa Beach, FL
 (US); **John Sherwin**, Cocoa Beach, FL
 (US); **Bart Hibbs**, Altadena, CA (US)

OTHER PUBLICATIONS
 Kernstock, Slashing Through the Noise Barrier, *Defense
 Daily Network—Rotor & Wing's Cover Story*, Aug. 1999, p.
 1–11.

(73) Assignee: **Research Foundation of the
 University of Central Florida**,
 Orlando, FL (US)

* cited by examiner

(**) Term: **14 Years**

Primary Examiner—Lisa Lichtenstein
 (74) *Attorney, Agent, or Firm*—Brian S. Steinberger; Law
 Offices of Brian S. Steinberger, P.A.

(21) Appl. No.: **29/178,526**

(57) **CLAIM**

(22) Filed: **Mar. 27, 2003**

The ornamental design for a high efficiency air conditioner
 condenser twisted fan blades and hub, as shown and
 described.

(51) **LOC (8) Cl.** **23-04**

(52) **U.S. Cl.** **D23/411**

(58) **Field of Search** D23/411, 413,
 D23/370, 378, 379; 416/223 R, 238, 244 R;
 D12/214; 62/426

DESCRIPTION

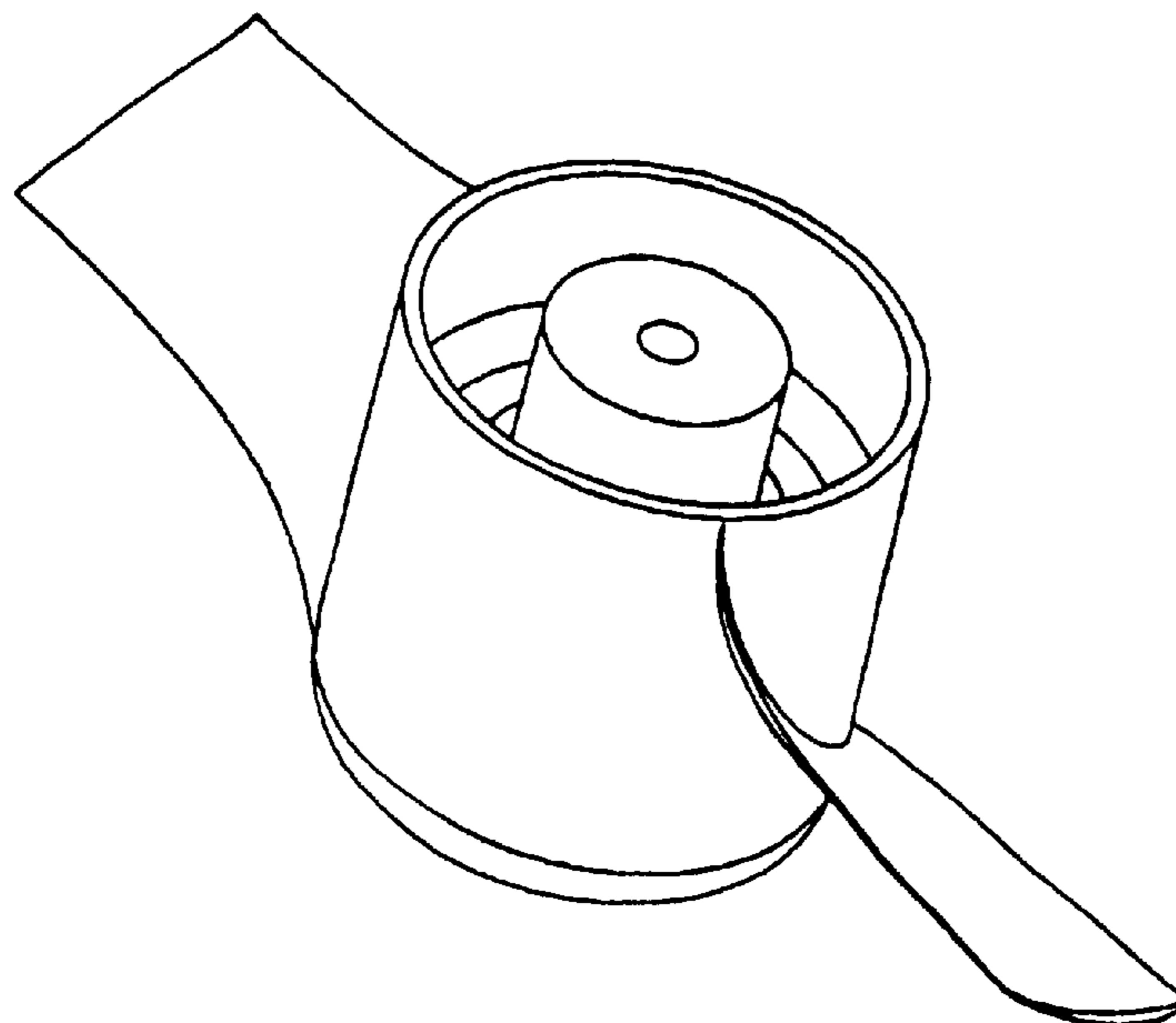
(56) **References Cited**

U.S. PATENT DOCUMENTS

2,638,757 A	5/1953	Borgerd	62/140
3,995,442 A	12/1976	Cavezza	62/259
4,470,271 A	9/1984	Draper	62/259.1
4,526,506 A	7/1985	Koger	415/98
4,971,143 A	11/1990	Hogan	165/122
4,971,520 A	11/1990	Van Houten	416/169
D316,700 S	* 5/1991	Morrison	D12/214
D324,364 S	* 3/1992	Hannon et al.	D12/214
5,320,493 A	6/1994	Shih	416/223
5,624,234 A	4/1997	Neely	416/238
5,809,800 A	9/1998	Deal	62/507

FIG. 1 is a perspective view of a high efficiency air condi-
 tioner condenser twisted fan blades and hub.
 FIG. 2 is a front side elevation view of the high efficiency air
 conditioner condenser twisted fan blades and hub of FIG. 1.
 FIG. 3 is a left side end view of the high efficiency air
 conditioner condenser twisted fan blades and hub of FIG. 1.
 FIG. 4 is a right side end view of the high efficiency air
 conditioner condenser twisted fan blades and hub of FIG. 1.
 FIG. 5 is a bottom elevation view of the high efficiency air
 conditioner condenser twisted fan blades and hub of FIG. 1;
 and,
 FIG. 6 is a top elevation view of the high efficiency air
 conditioner condenser twisted fan blades and hub of FIG. 1.

1 Claim, 3 Drawing Sheets



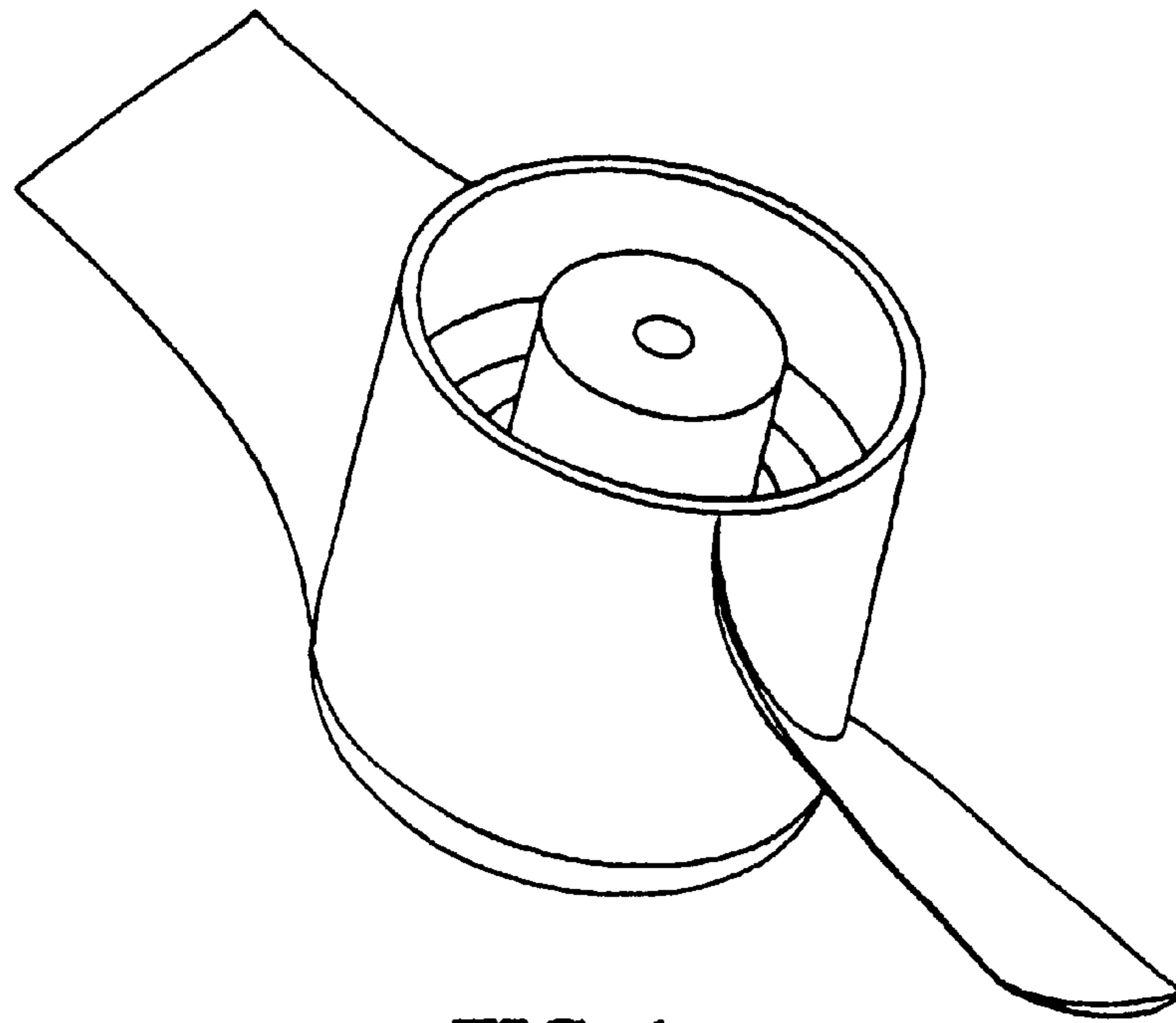


FIG. 1

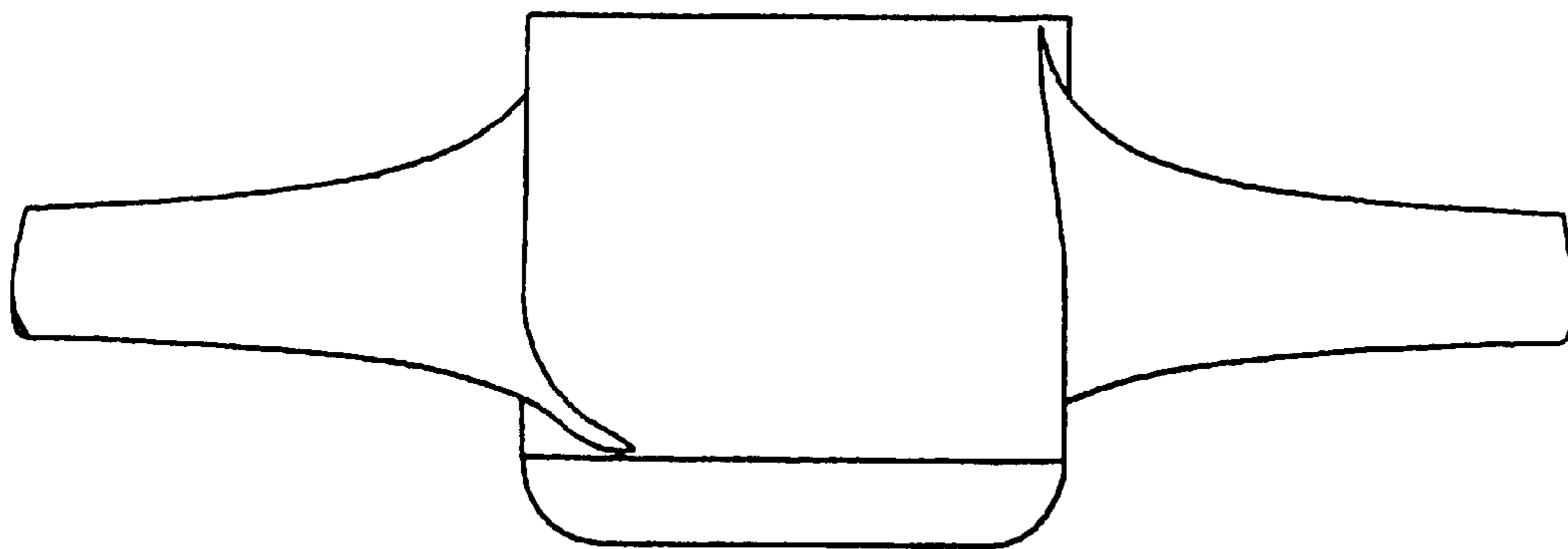


FIG. 2

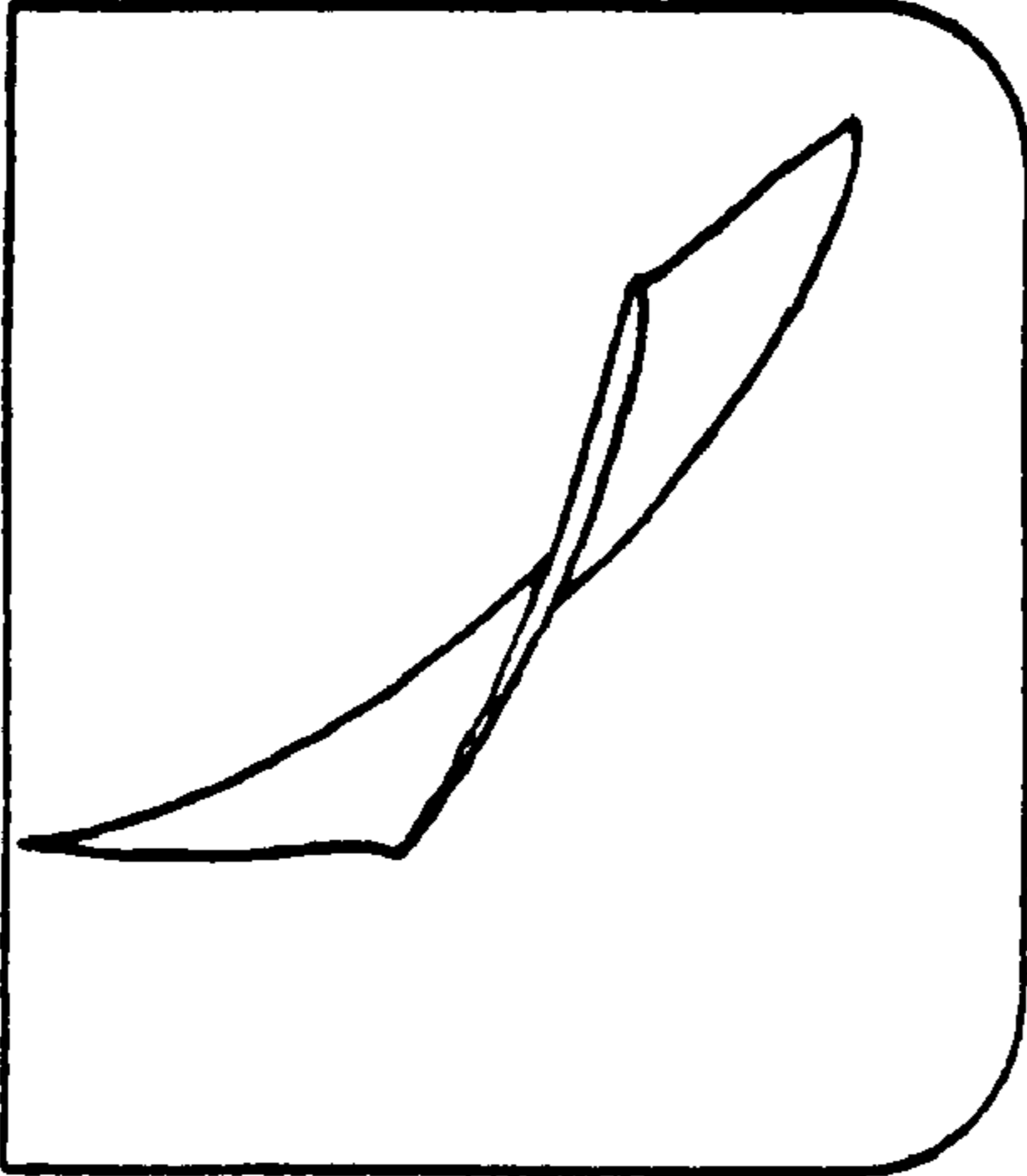


FIG. 4

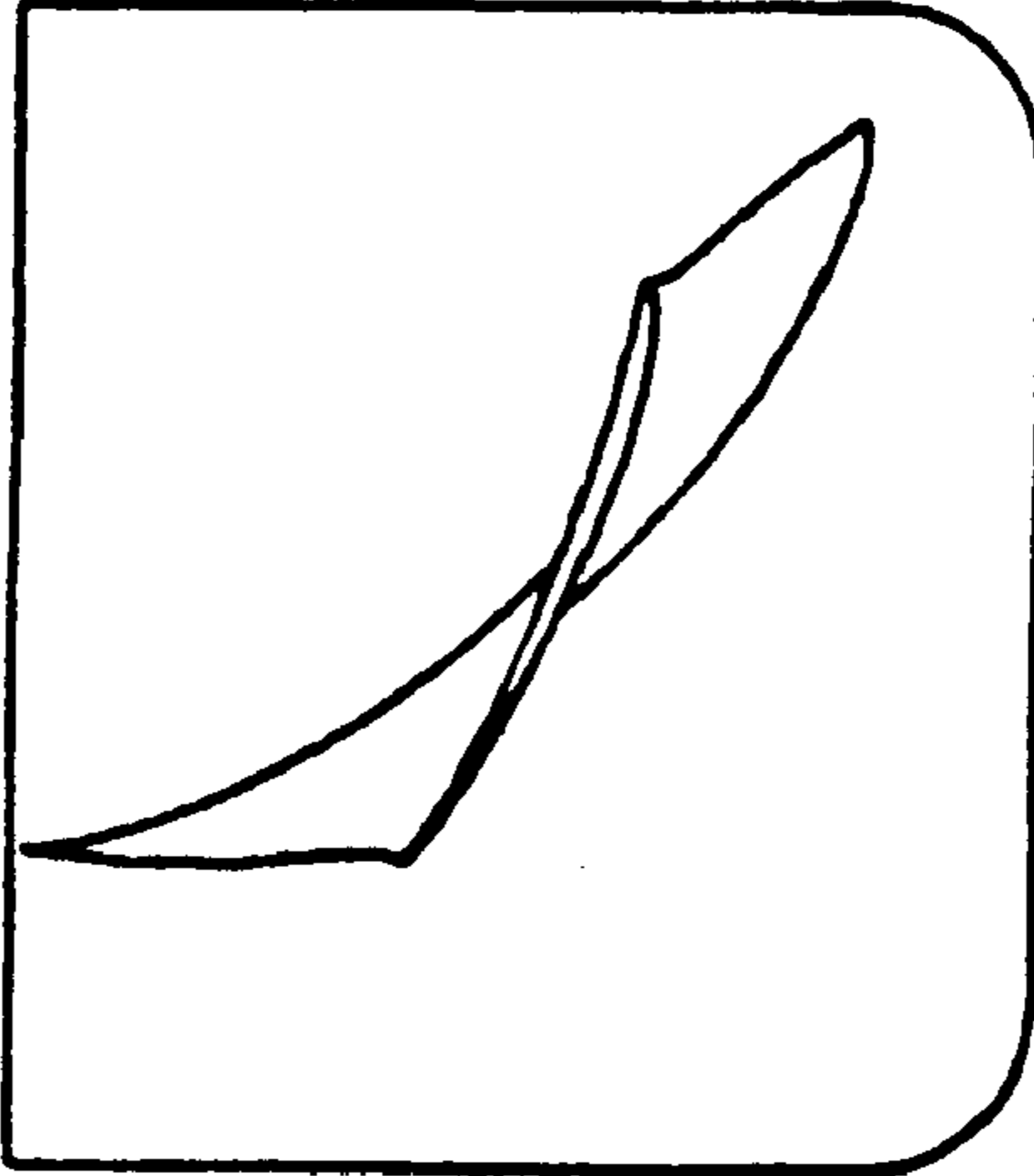


FIG. 3

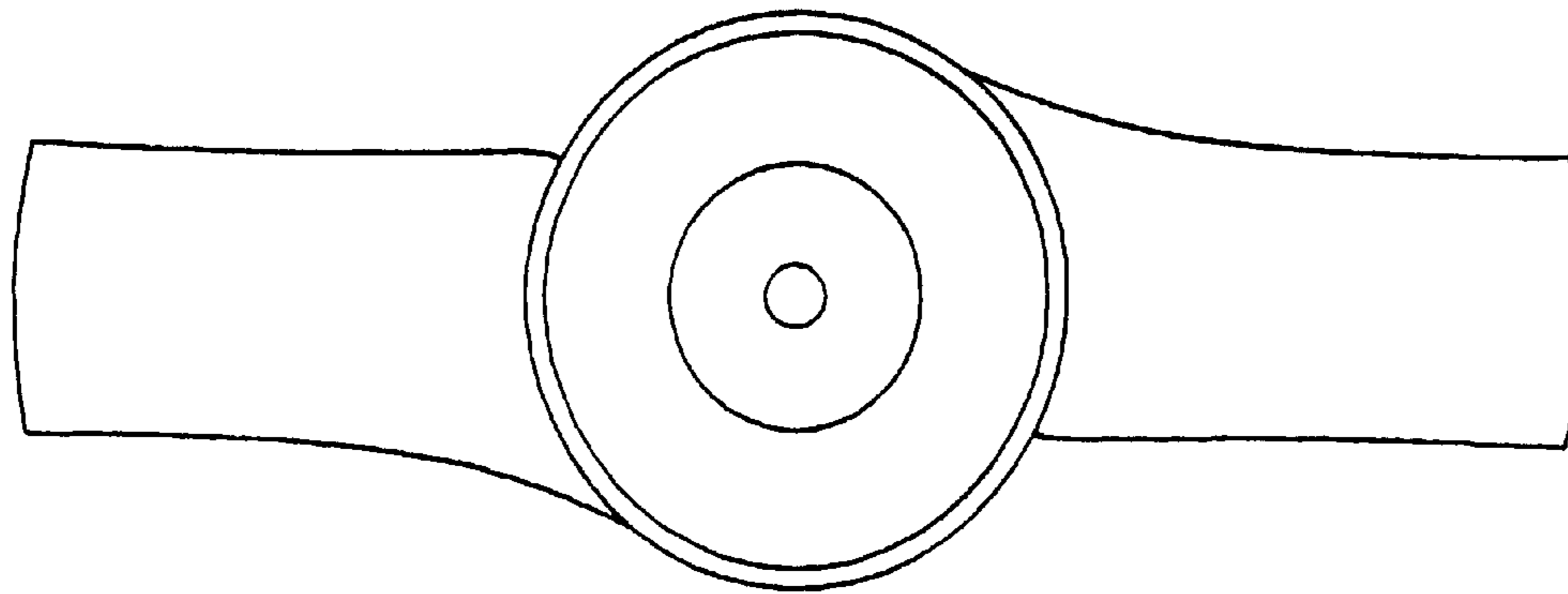


FIG. 5

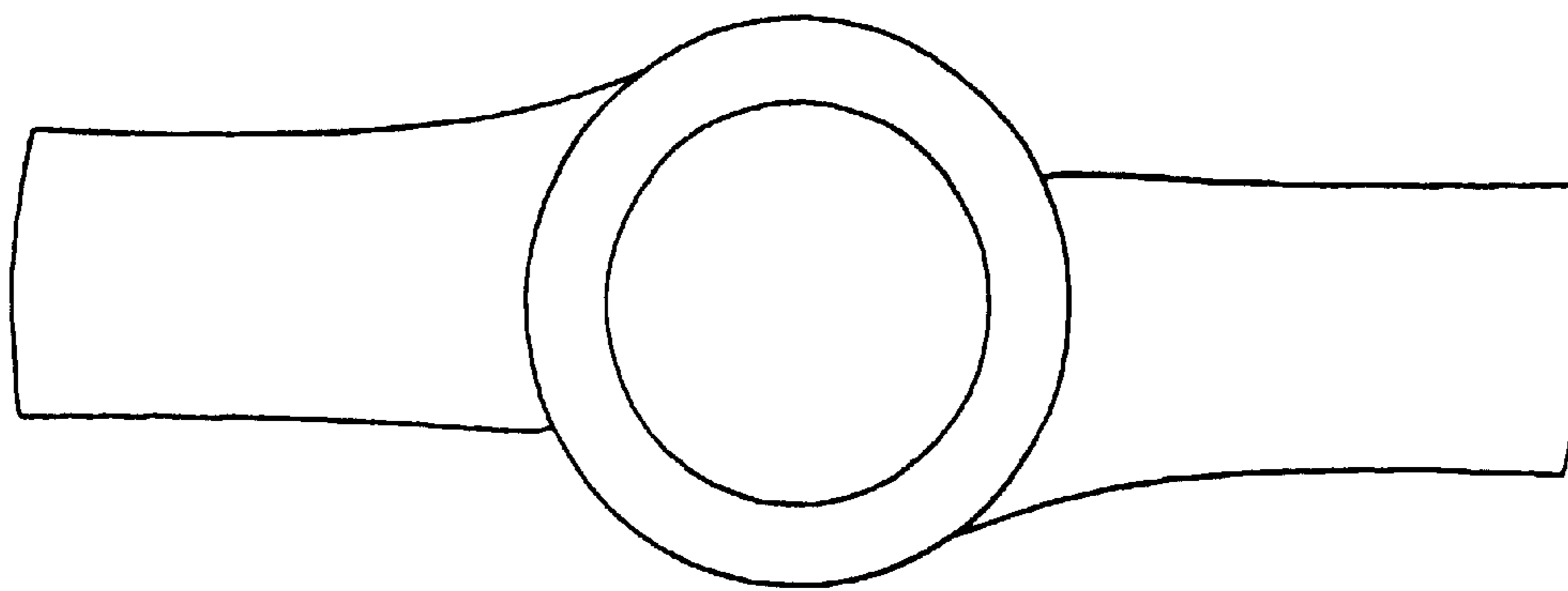


FIG. 6