



US00D510995S

(12) **United States Design Patent**  
**Tam**

(10) **Patent No.:** **US D510,995 S**

(45) **Date of Patent:** **\*\* Oct. 25, 2005**

(54) **AIR BLOWER**

D422,351 S \* 4/2000 Griffin ..... D23/383  
D481,116 S \* 10/2003 Wang et al. .... D23/383

(75) Inventor: **Ping Man Tam**, Hong Kong (CN)

\* cited by examiner

(73) Assignee: **Champion International Corporation Limited**, Sheung Wan (HK)

*Primary Examiner*—Lisa Lichtenstein  
(74) *Attorney, Agent, or Firm*—Alix, Yale & Ristas, LLP

(\*\*) Term: **14 Years**

(57) **CLAIM**

(21) Appl. No.: **29/195,770**

The ornamental design for an air blower, as shown and described.

(22) Filed: **Dec. 17, 2003**

(30) **Foreign Application Priority Data**

**DESCRIPTION**

Sep. 30, 2003 (HK) ..... 0311629

FIG. 1 is a front view of the air blower showing my new design;

(51) **LOC (8) Cl.** ..... **23-04**

FIG. 2 is a rear view of the air blower of FIG. 1;

(52) **U.S. Cl.** ..... **D23/383**

FIG. 3 is a left side view of the air blower of FIG. 1;

(58) **Field of Search** ..... D23/383, 370;  
415/204, 214.1, 206, 213.1; 416/247 R

FIG. 4 is a right side view of the air blower of FIG. 1;

FIG. 5 is a top plan view of the air blower of FIG. 1; and,

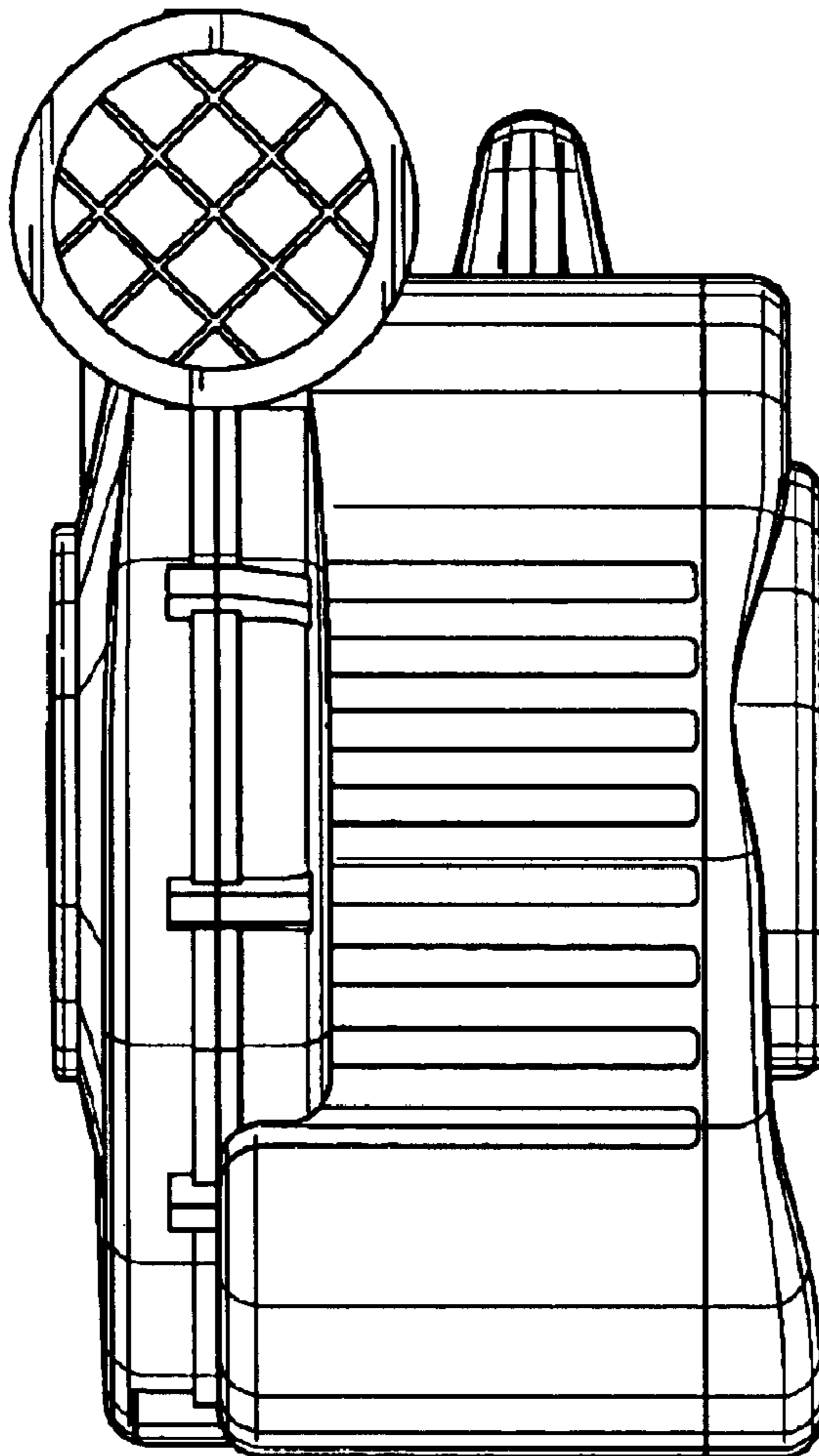
FIG. 6 is a bottom plan view of the air blower of FIG. 1.

(56) **References Cited**

**U.S. PATENT DOCUMENTS**

D308,417 S \* 6/1990 Belanger et al. .... D23/383

**1 Claim, 3 Drawing Sheets**



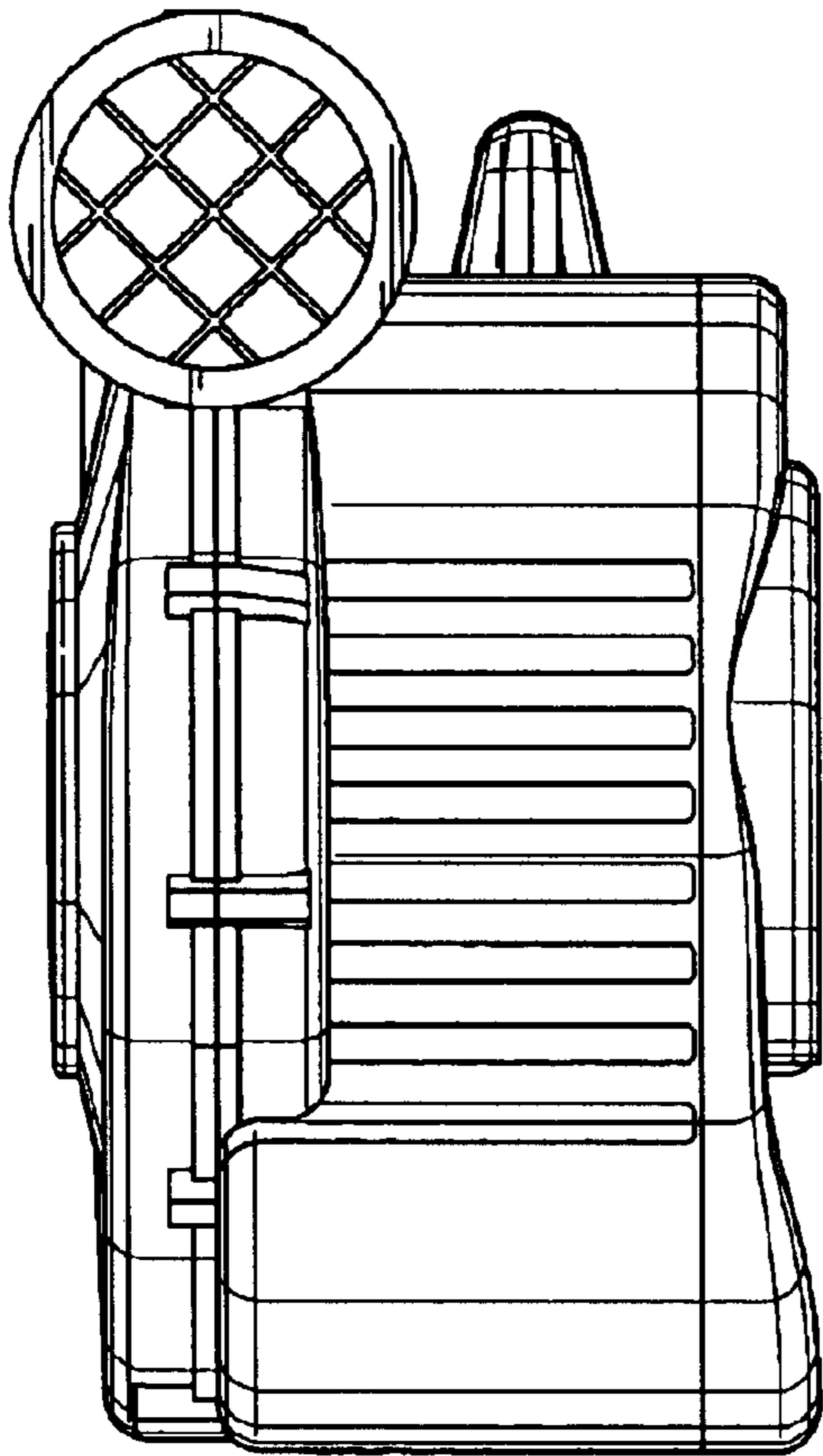


FIG. 1

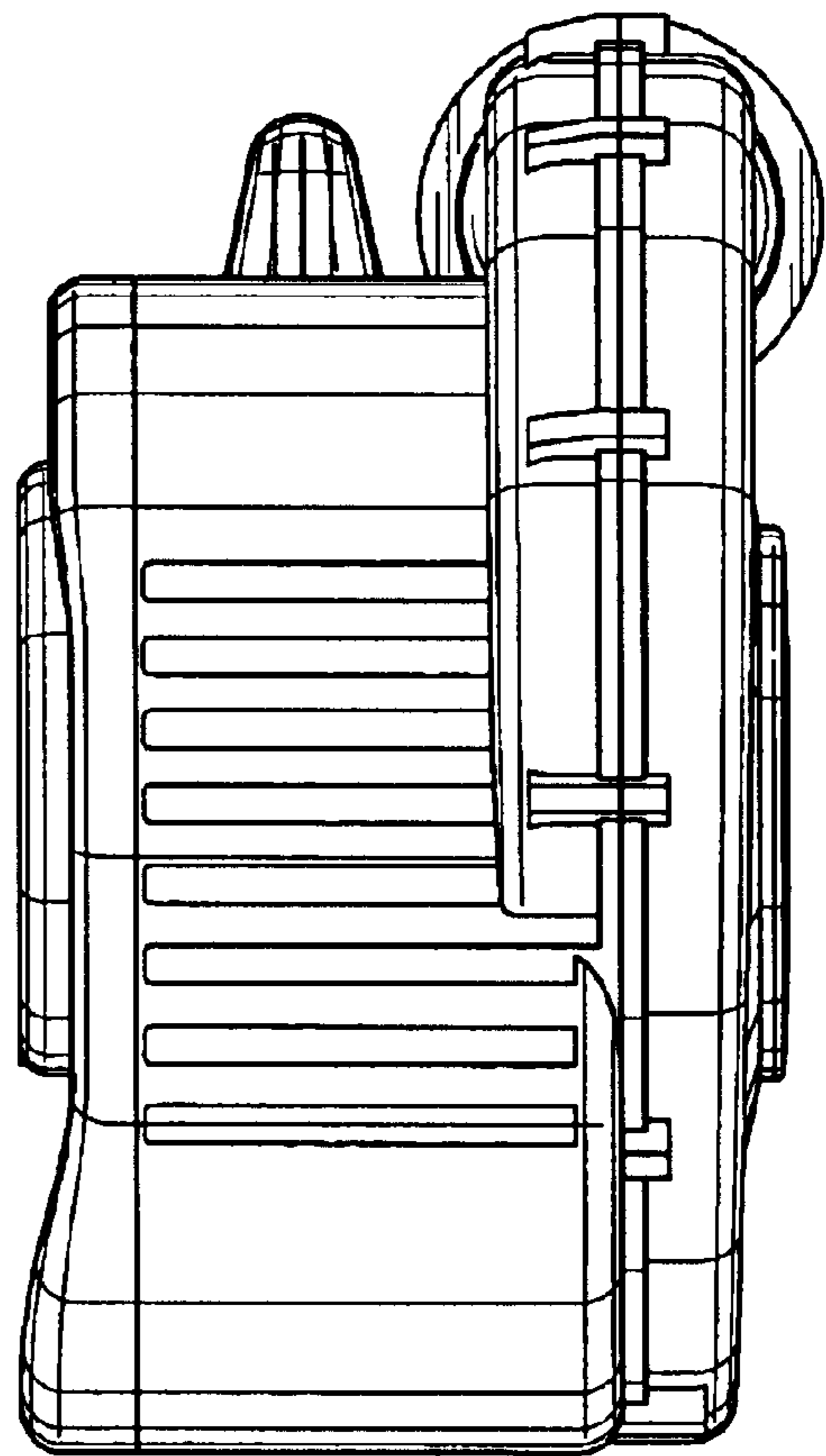


FIG. 2

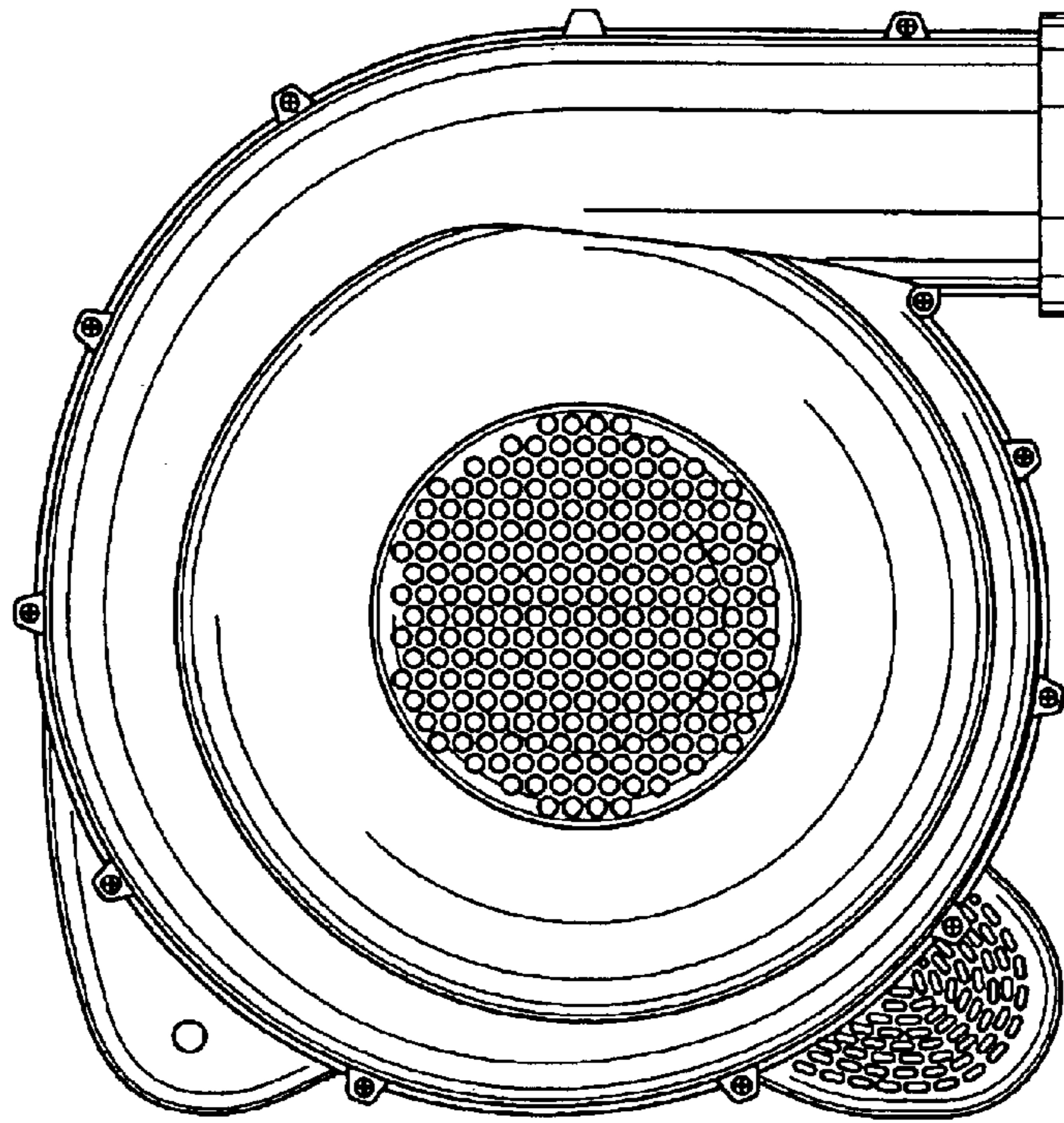


FIG. 3

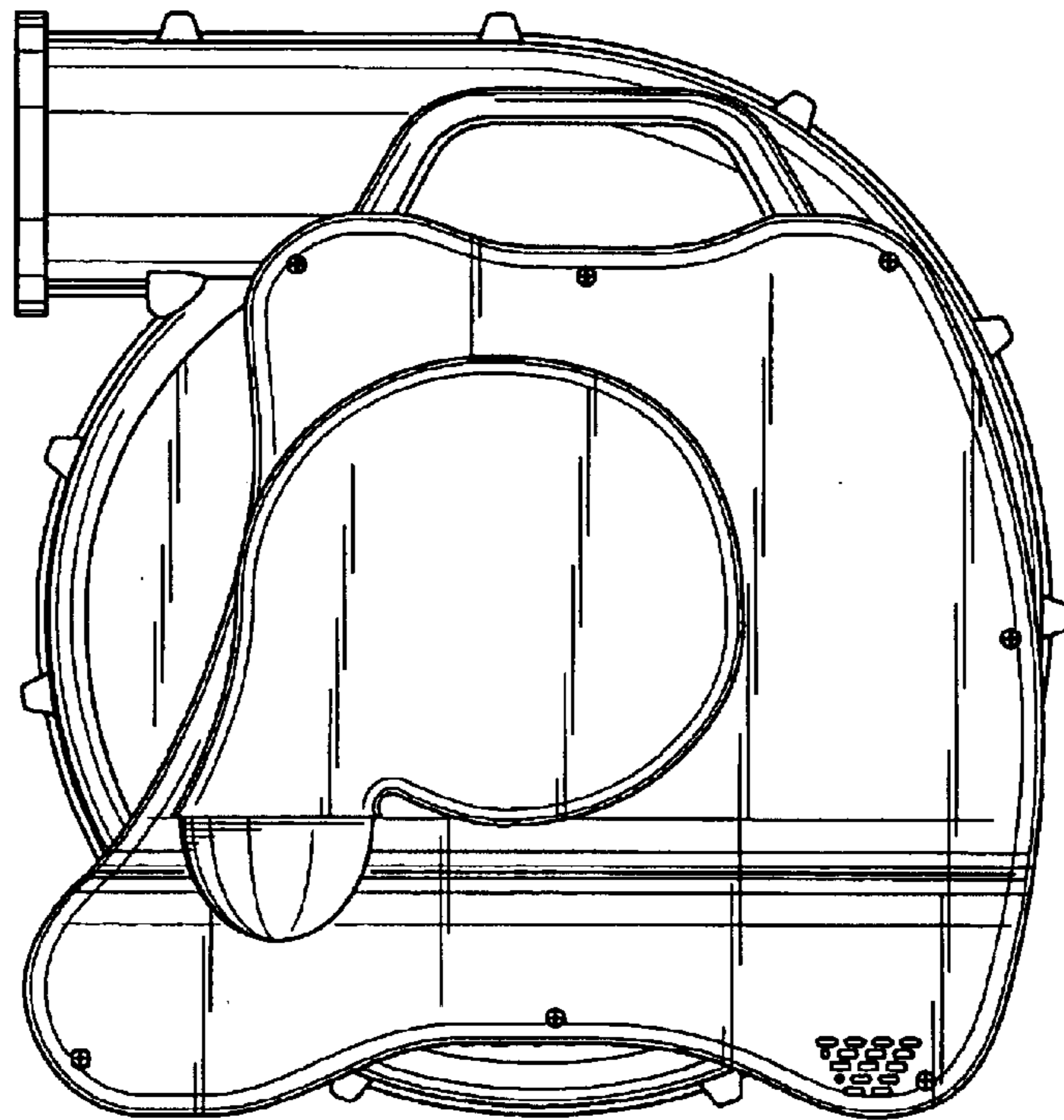


FIG. 4

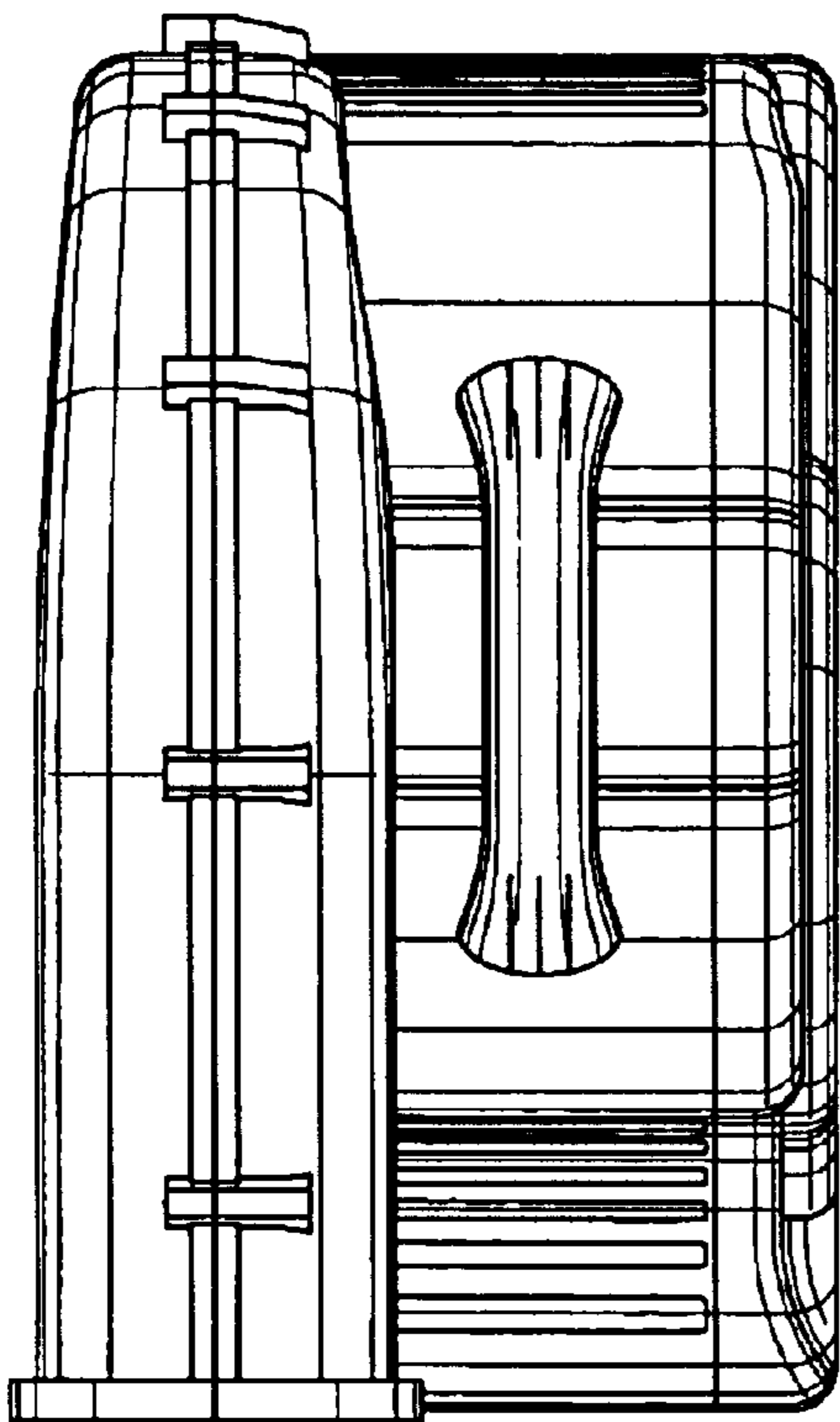


FIG. 5

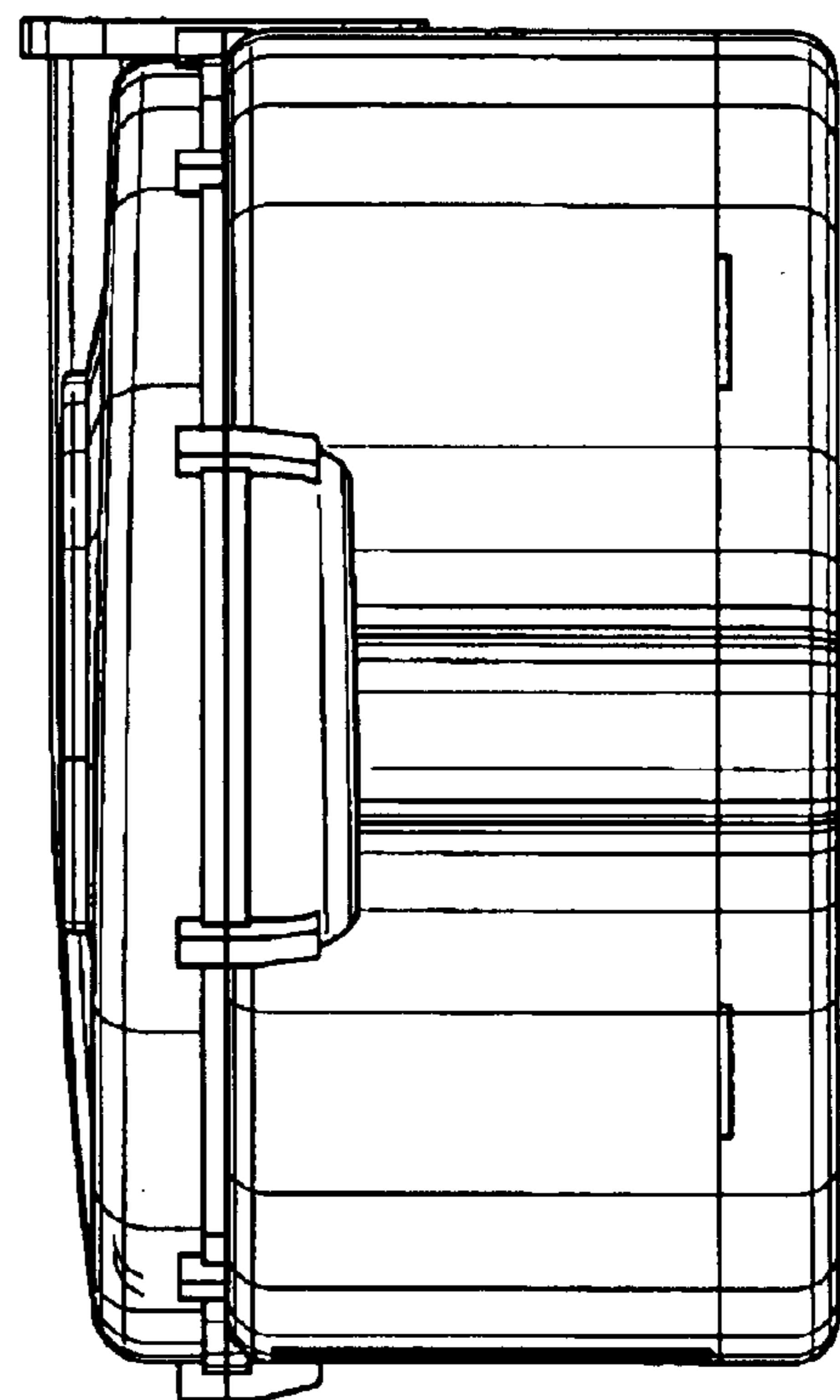


FIG. 6