



US00D510992S

(12) **United States Design Patent**
Bucher

(10) **Patent No.:** **US D510,992 S**
(45) **Date of Patent:** **** Oct. 25, 2005**

(54) **COMBINED CEILING FAN AND LIGHT
FIXTURE**

(75) **Inventor:** **John C. Bucher**, Ft. Lauderdale, FL
(US)

(73) **Assignee:** **King of Fans, Inc.**, Fort Lauderdale,
FL (US)

(**) **Term:** **14 Years**

(21) **Appl. No.:** **29/208,041**

(22) **Filed:** **Jun. 23, 2004**

(51) **LOC (8) Cl.** **23-04**

(52) **U.S. Cl.** **D23/377**

(58) **Field of Search** D23/377, 379,
D23/385, 411, 413; 416/5; D26/59, 71,
78, 81-88; 392/364, 96

(56) **References Cited**

U.S. PATENT DOCUMENTS

D364,224 S	11/1995	Wang	D23/377
D371,838 S	7/1996	Davis, Jr. et al.	D23/411
D378,404 S	3/1997	Jaspers-Jayer	D23/377
D402,026 S	12/1998	Chuang et al.	D23/377
D408,518 S	4/1999	Liu	D23/377
D412,571 S	8/1999	Lee	D23/377
D414,856 S	10/1999	Zuege	D23/377
D421,799 S	3/2000	Zuege	D23/411
D422,072 S	3/2000	Blateri	D23/377

D443,352 S	6/2001	Lantz	D23/413
D451,997 S	12/2001	Schwartz	D23/413
D454,636 S	3/2002	Lantz	D23/413
D469,950 S	2/2003	Scalise et al.	D3/3
D480,471 S	10/2003	Hsieh	D23/411
D484,233 S	12/2003	Bucher et al.	D23/377
D485,345 S	1/2004	Bucher	D23/377
D485,346 S	1/2004	Bucher et al.	D23/377
D485,347 S	1/2004	Bucher et al.	D23/377

Primary Examiner—Lisa Lichtenstein

(74) *Attorney, Agent, or Firm*—Brian S. Steinberger; Law
Offices of Brian S. Steinberger, P.A.

(57) **CLAIM**

The ornamental design of a combined ceiling fan and light
fixture, as shown and described.

DESCRIPTION

FIG. 1 is a perspective bottom view of the combined ceiling
fan and light fixture.

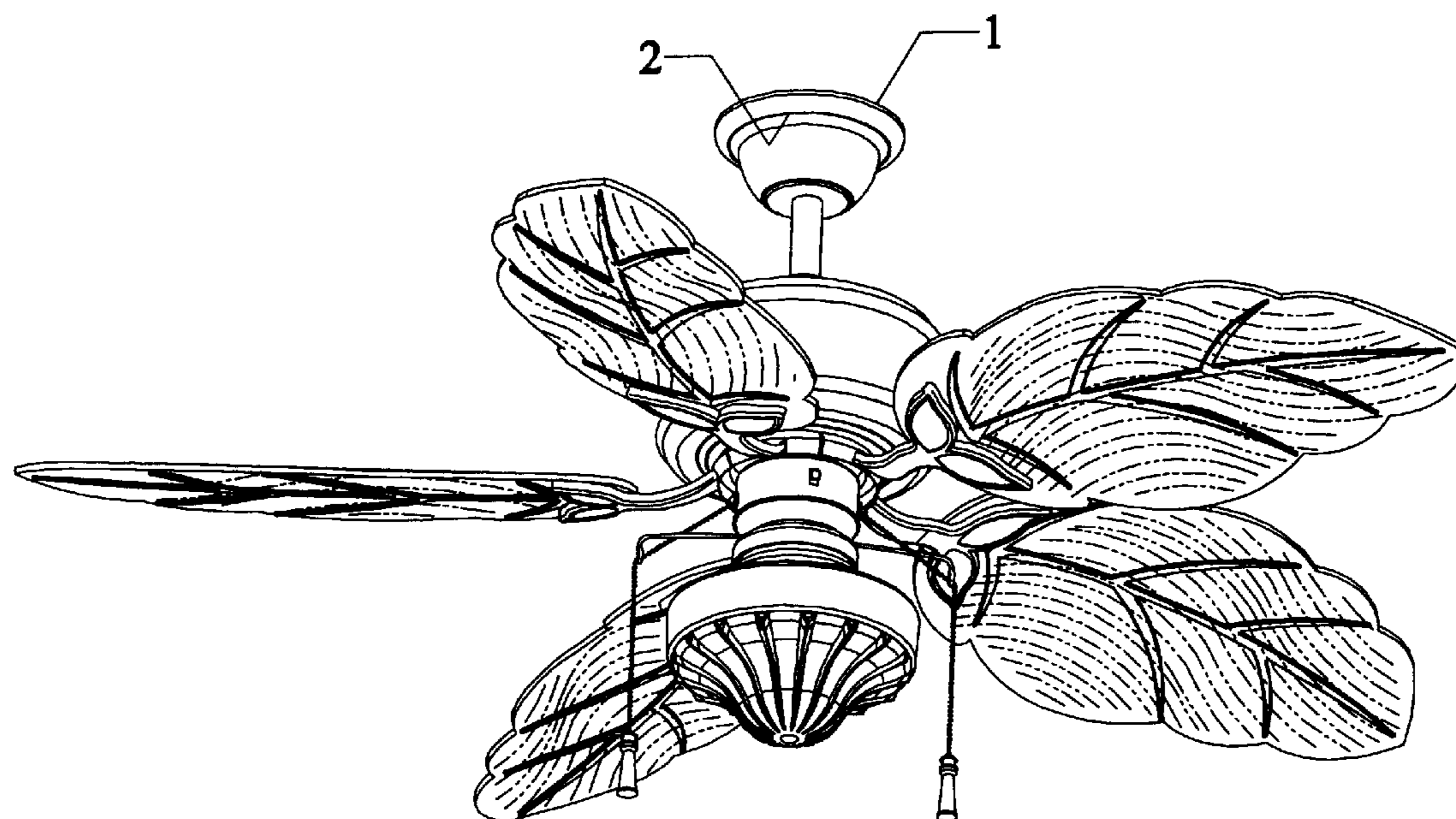
FIG. 2 is a perspective top view of the combined ceiling fan
and light fixture.

FIG. 3 is a bottom view of the combined ceiling fan and light
fixture.

FIG. 4 is a top view of the combined ceiling fan and light
fixture; and,

FIG. 5 is a side view of the combined ceiling fan and light
fixture.

1 Claim, 5 Drawing Sheets



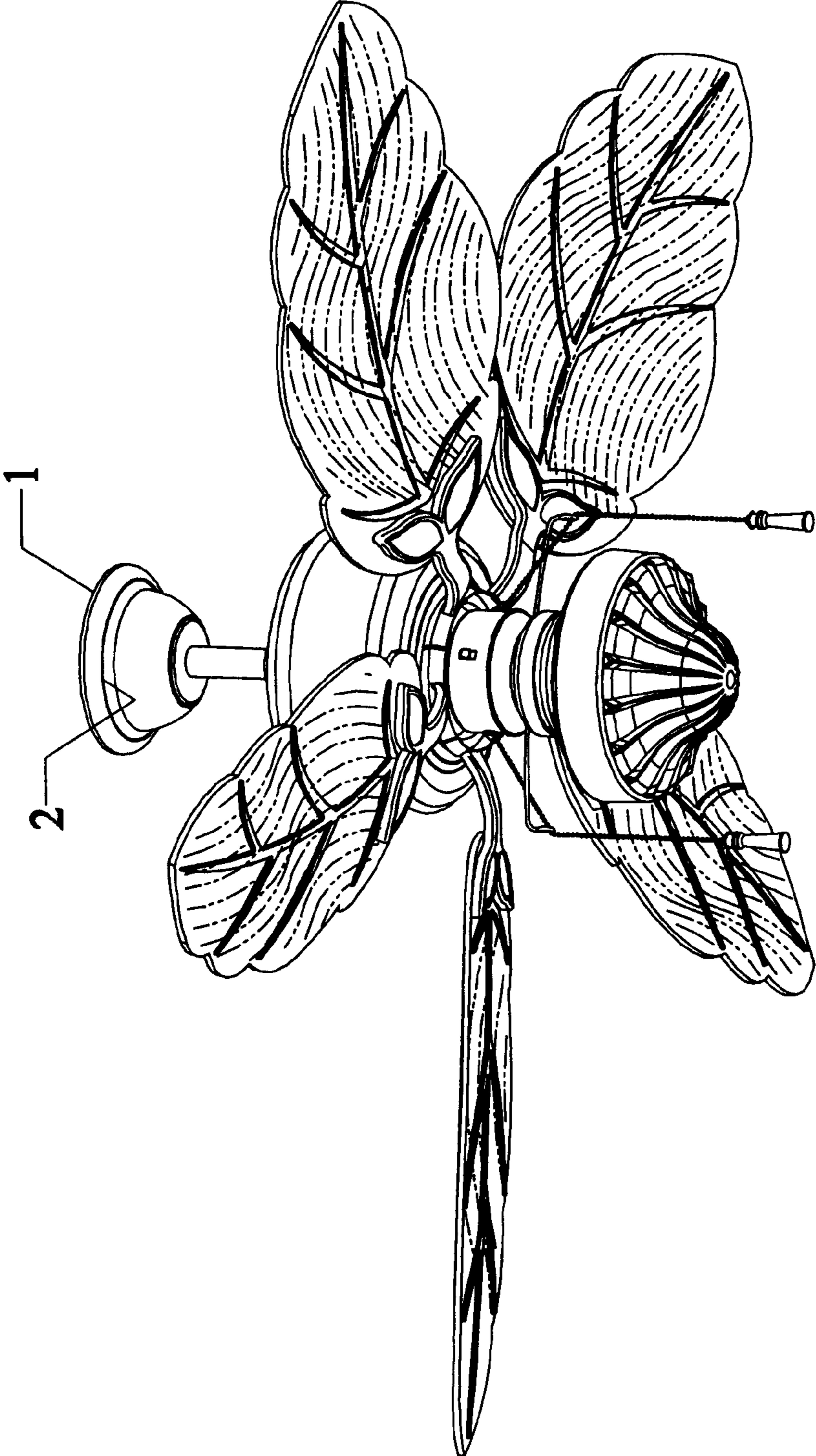


Fig.1

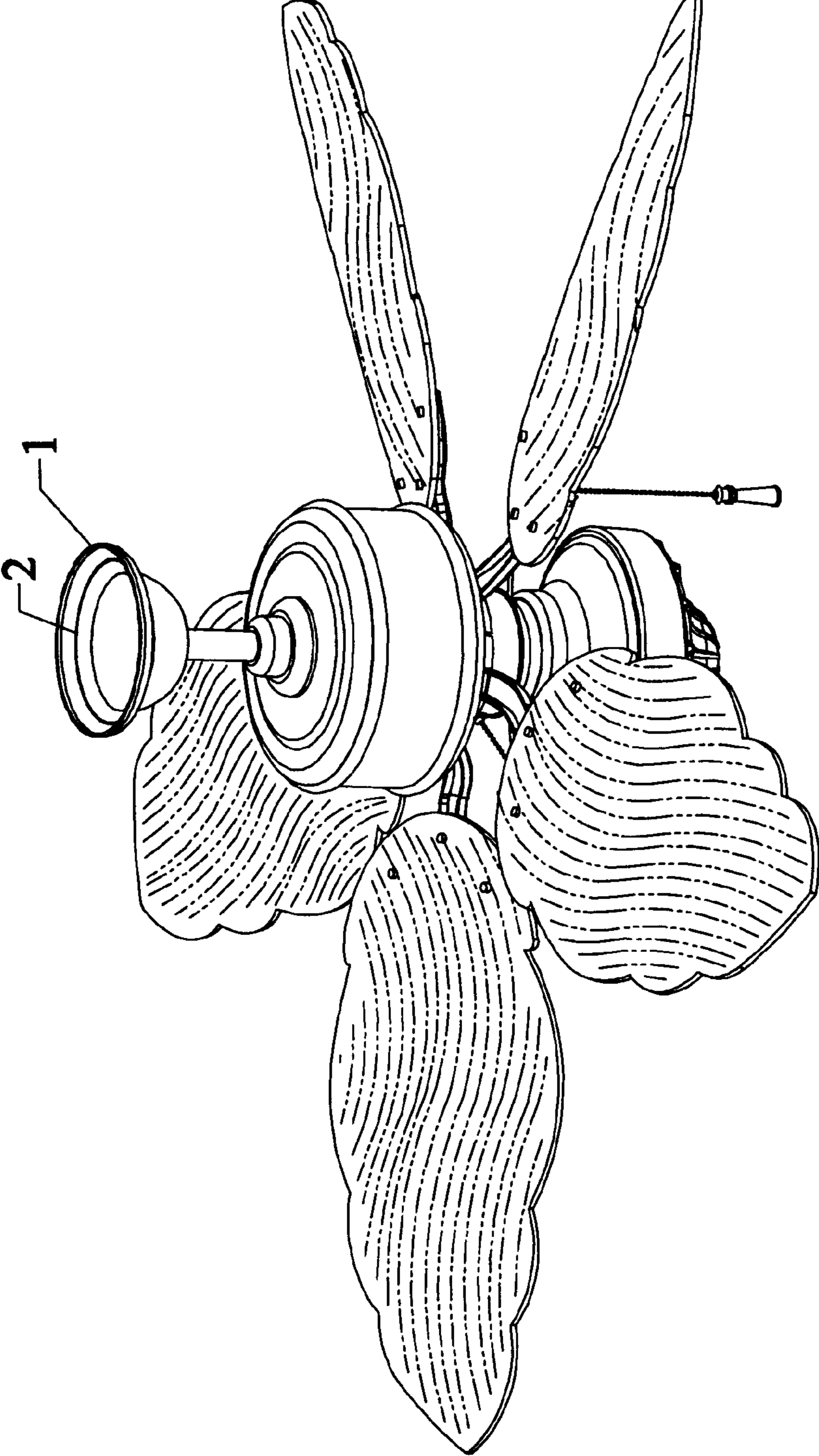


Fig.2

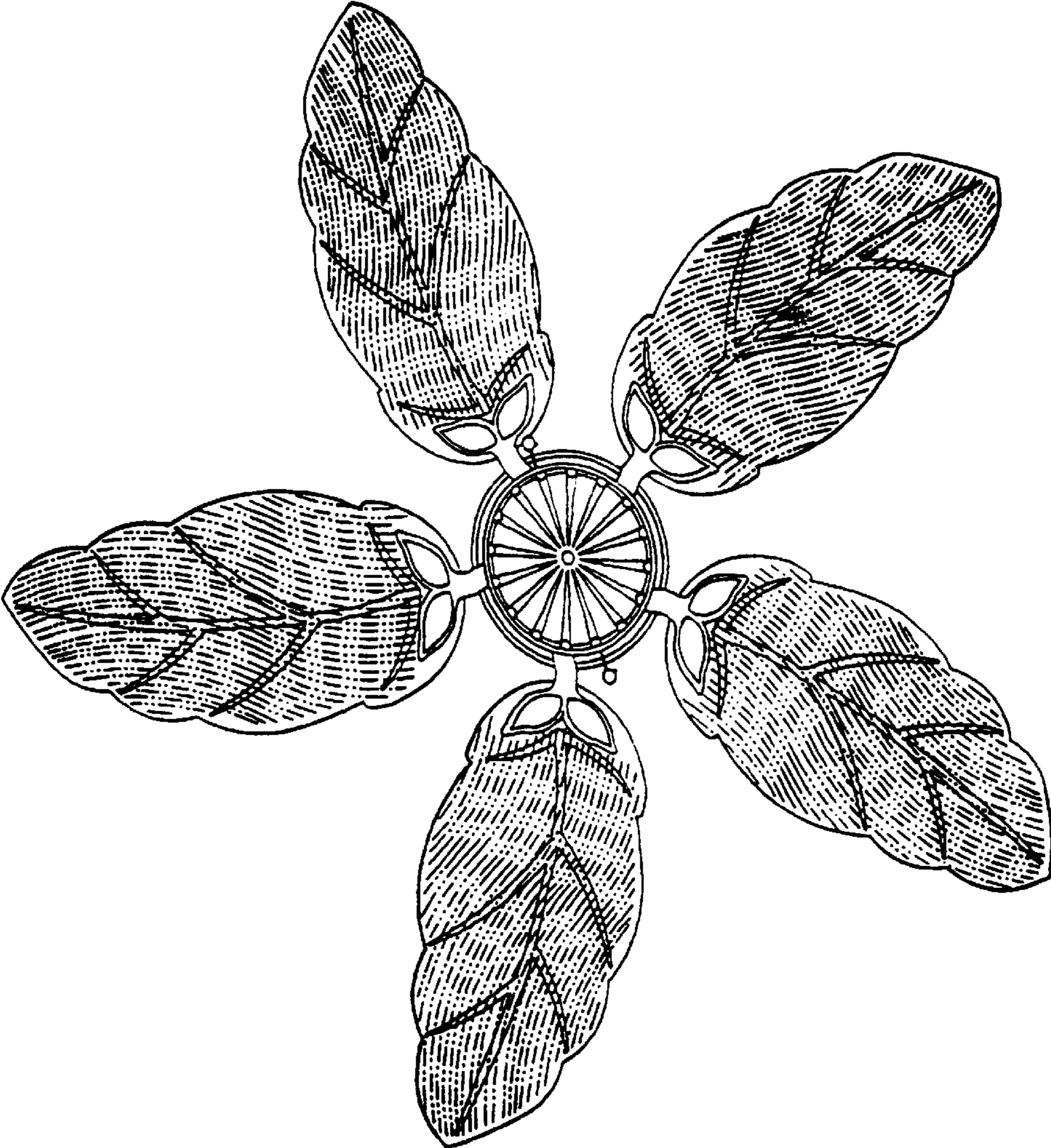


Fig. 3

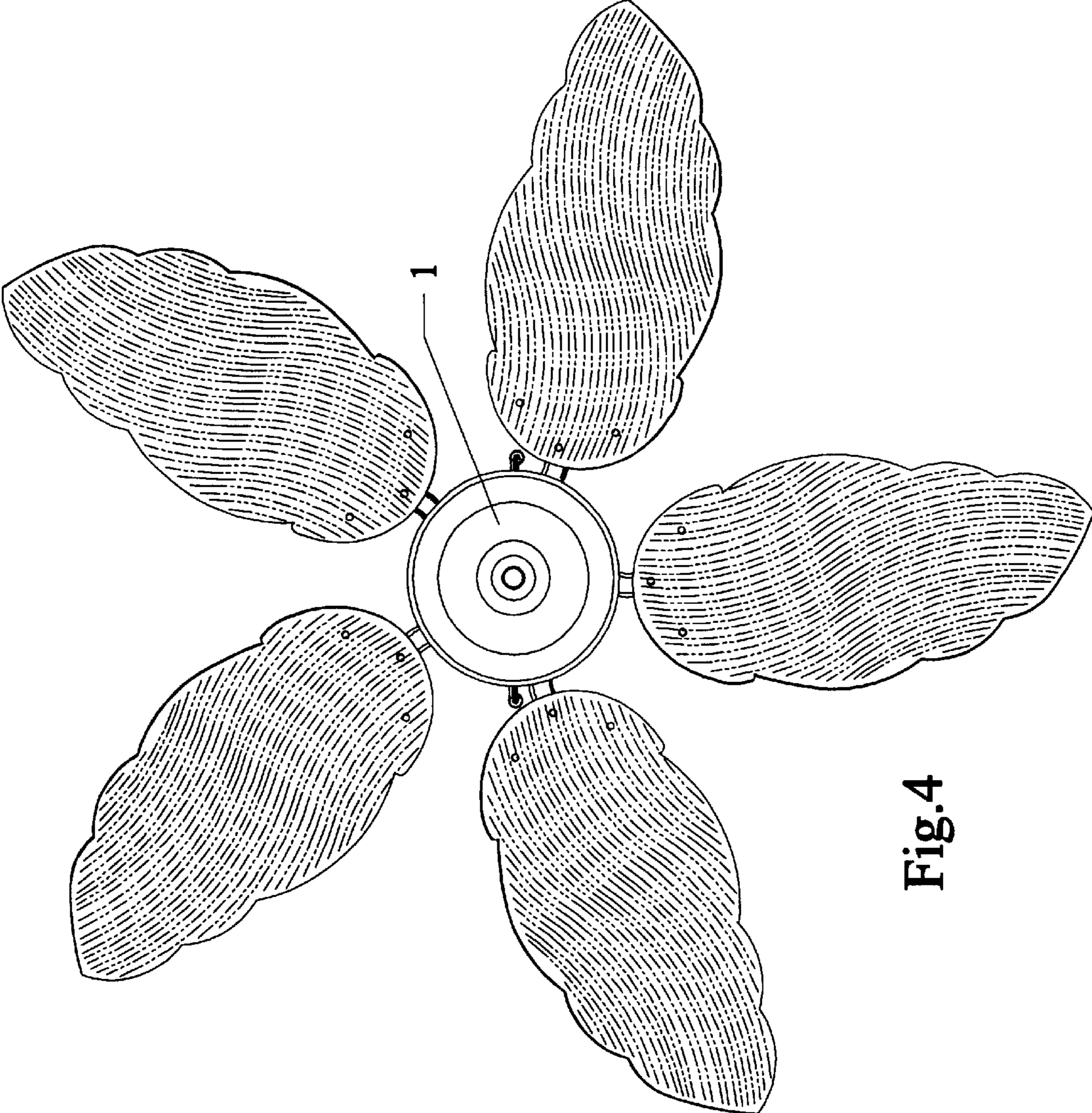


Fig.4

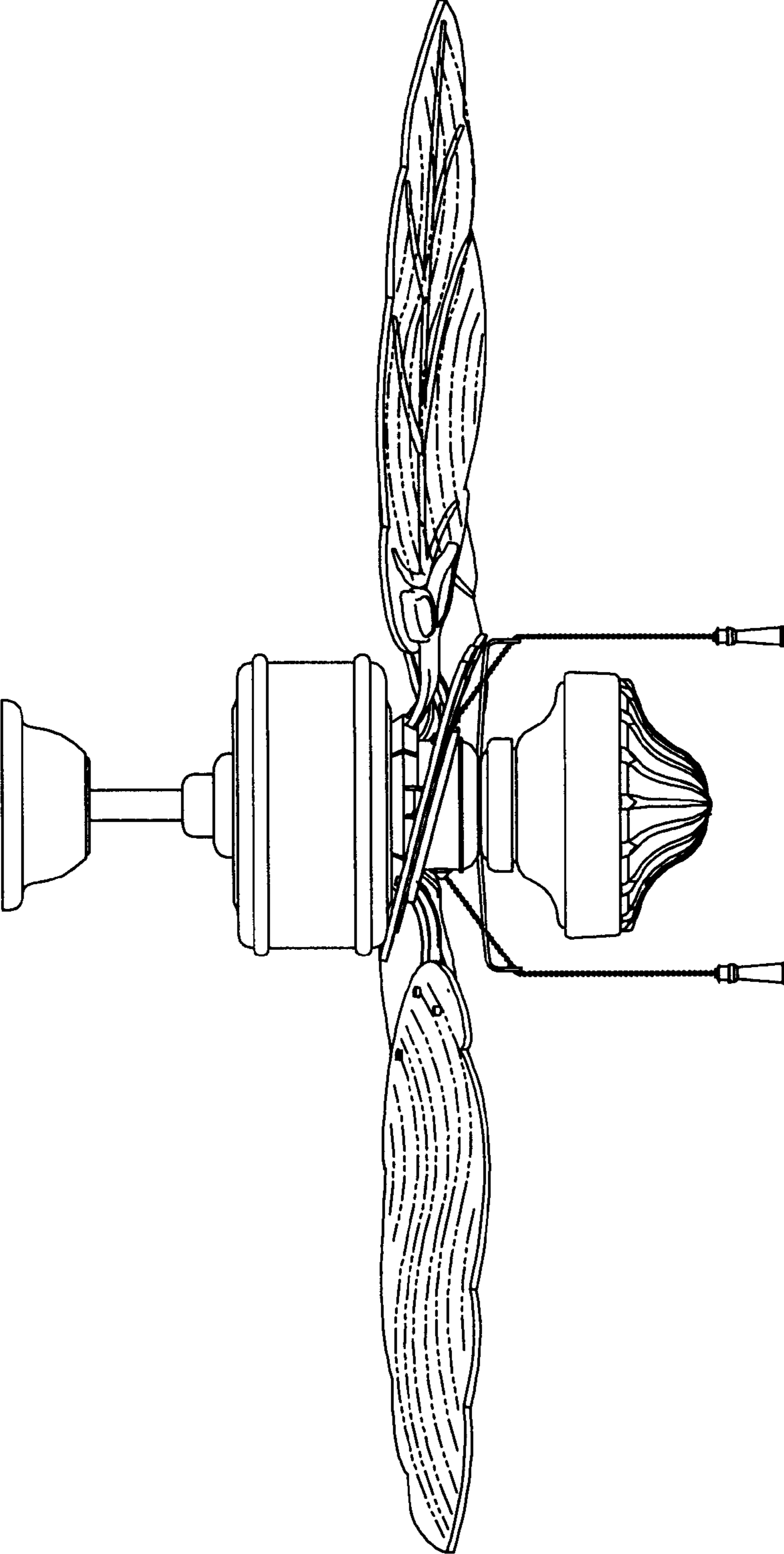


Fig. 5