



US00D510991S

(12) **United States Design Patent**
Harbutt et al.

(10) **Patent No.: US D510,991 S**

(45) **Date of Patent: ** Oct. 25, 2005**

(54) **AIR FRESHENER DEVICE**

(75) Inventors: **Richard Paul Harbutt**, Impactt, 65
Victoria St., Windsor (GB), SL4 1EH;
Thomas Edward Herman, 71
Candahar Rd., London (GB), SW11
2QA; **Vicky Brown**, Impactt, 65
Victoria St., Windsor (GB), SL4 1EH

(73) Assignees: **Richard Paul Harbutt**, Berkshire
(GB); **Vicky Brown**, Berkshire (GB);
Thomas Edward Herman, Berkshire
(GB)

(**) Term: **14 Years**

(21) Appl. No.: **29/209,248**

(22) Filed: **Jul. 13, 2004**

(30) **Foreign Application Priority Data**

Jan. 16, 2004 (EM) 126446

(51) **LOC (8) Cl.** **23-04**

(52) **U.S. Cl.** **D23/366**

(58) **Field of Search** D23/356-369;
392/390, 392, 394; 239/135, 136, 58; 261/DIG. 17,
DIG. 65

(56) **References Cited**

U.S. PATENT DOCUMENTS

D242,461 S * 11/1976 Davies D23/366

D319,583 S * 9/1991 Halm et al. D9/519
D321,319 S * 11/1991 Giuseppe D9/519
D422,692 S * 4/2000 Quinones D23/367
D460,168 S * 7/2002 Chen D23/364
D475,445 S * 6/2003 Kumar D23/366
D477,063 S * 7/2003 Huang D23/365
D478,973 S * 8/2003 Wagner D23/367
D484,229 S * 12/2003 Upson D23/366
D484,585 S * 12/2003 Upson D23/366

* cited by examiner

Primary Examiner—Antoine Duval Davis

Assistant Examiner—Sandra Snapp

(74) *Attorney, Agent, or Firm*—Norris McLaughlin &
Marcus, PA

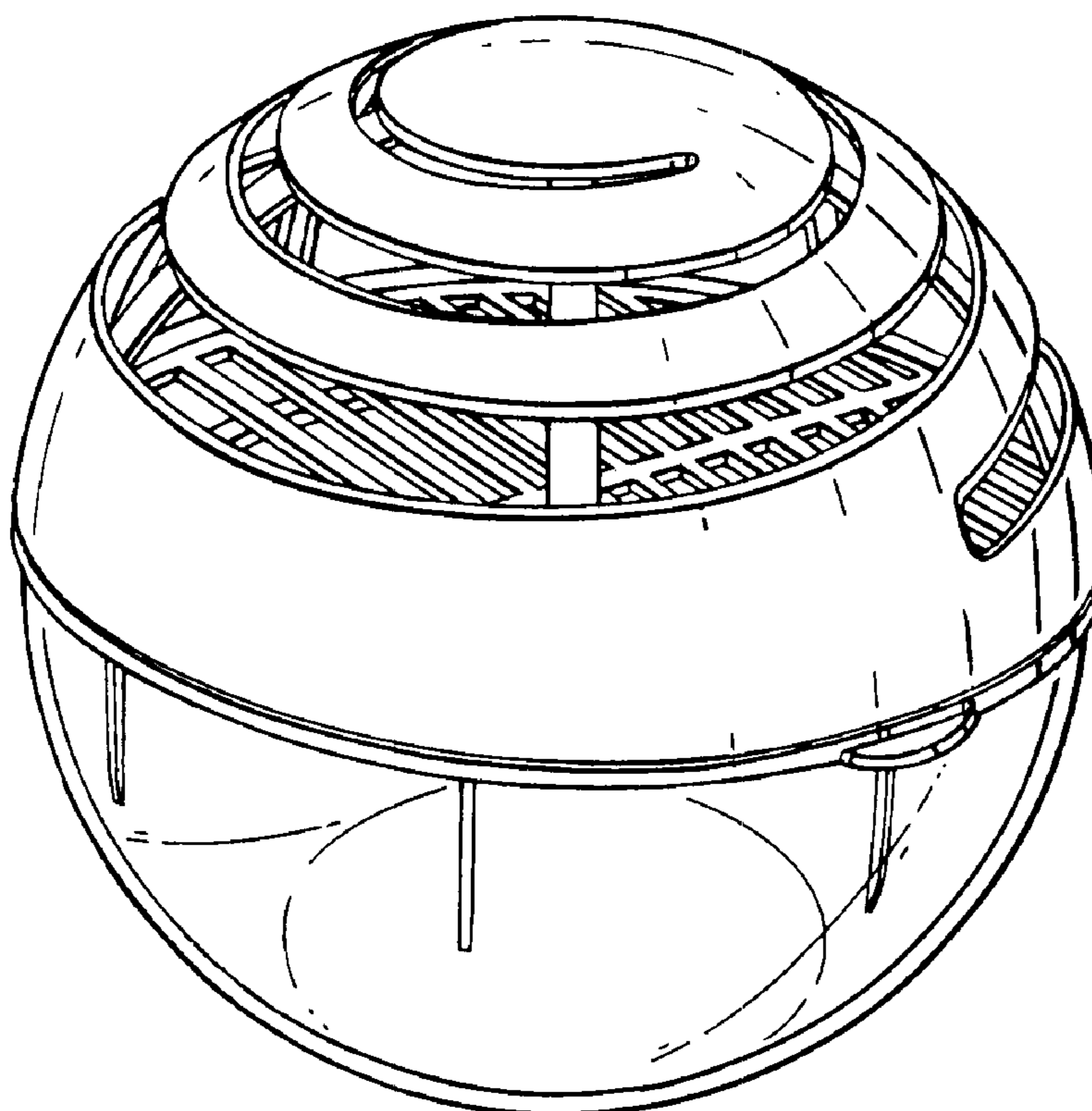
(57) **CLAIM**

The ornamental design for an air freshener device, as shown
and described.

DESCRIPTION

FIG. 1 is a perspective view of an air freshener device;
FIG. 2 is a plan view of the front thereof;
FIG. 3 is a plan view of the back thereof;
FIG. 4 is a plan view of the top thereof; and,
FIG. 5 is a plan view of the bottom thereof.

1 Claim, 3 Drawing Sheets



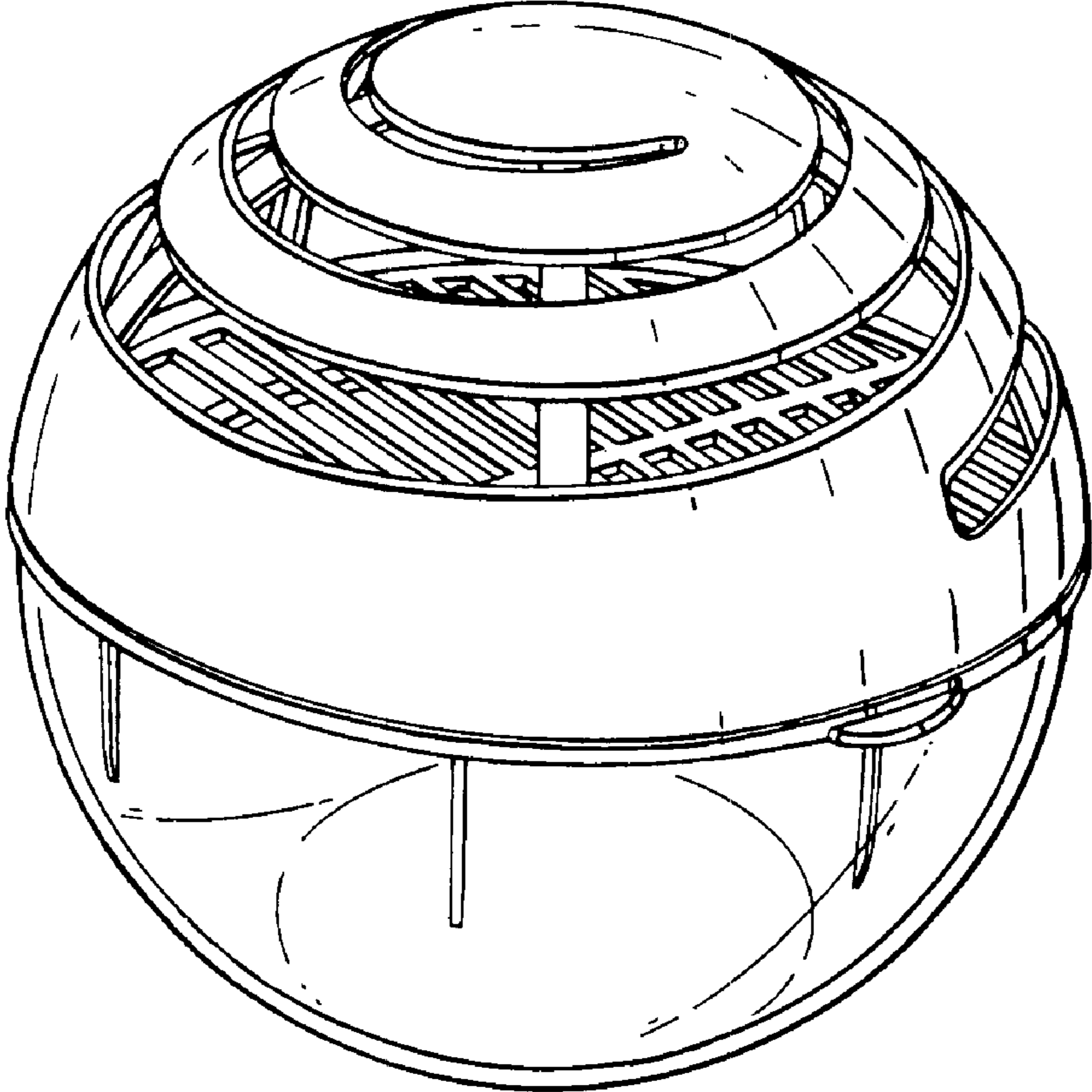


Fig. 1.

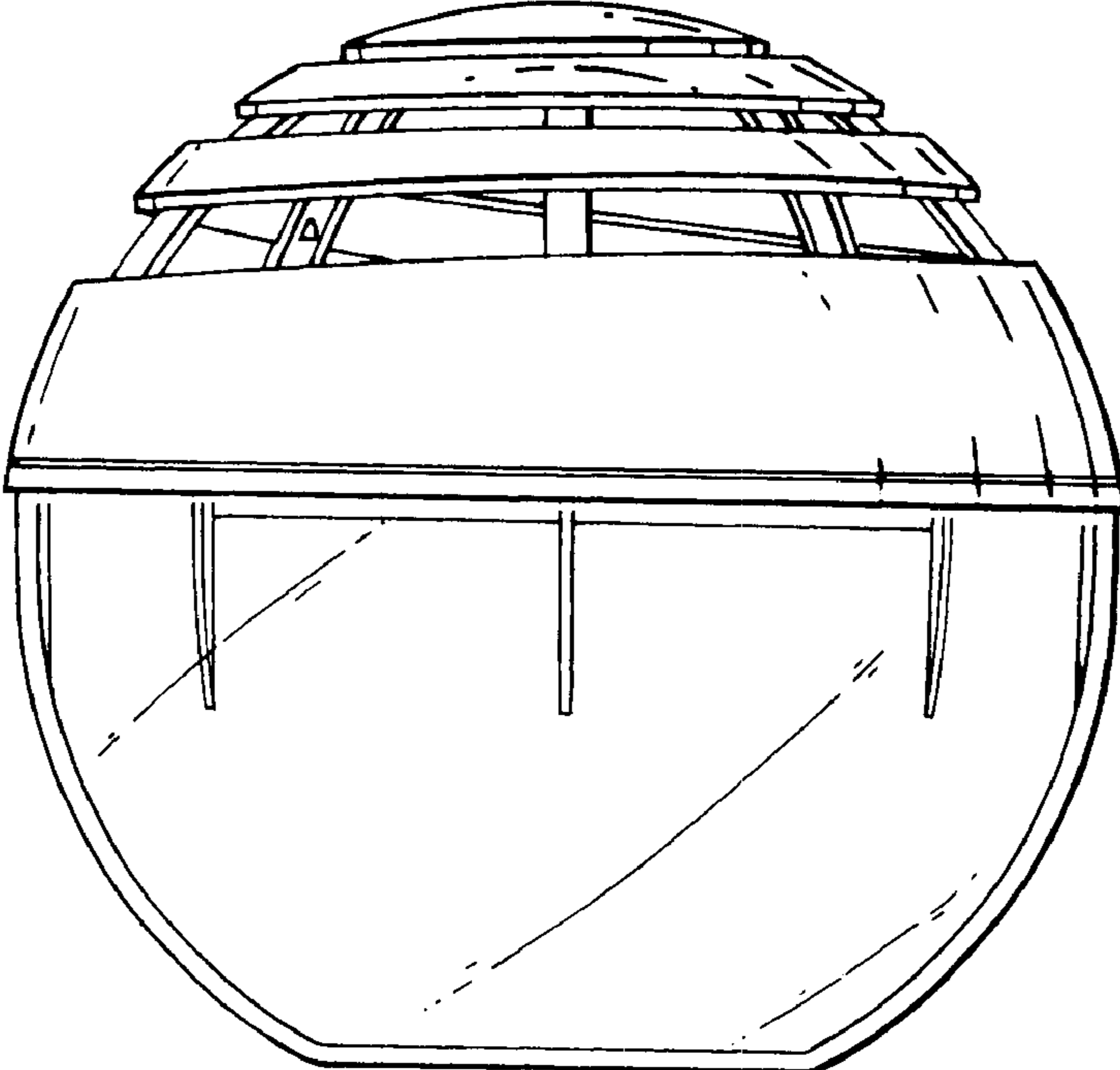


Fig.2.

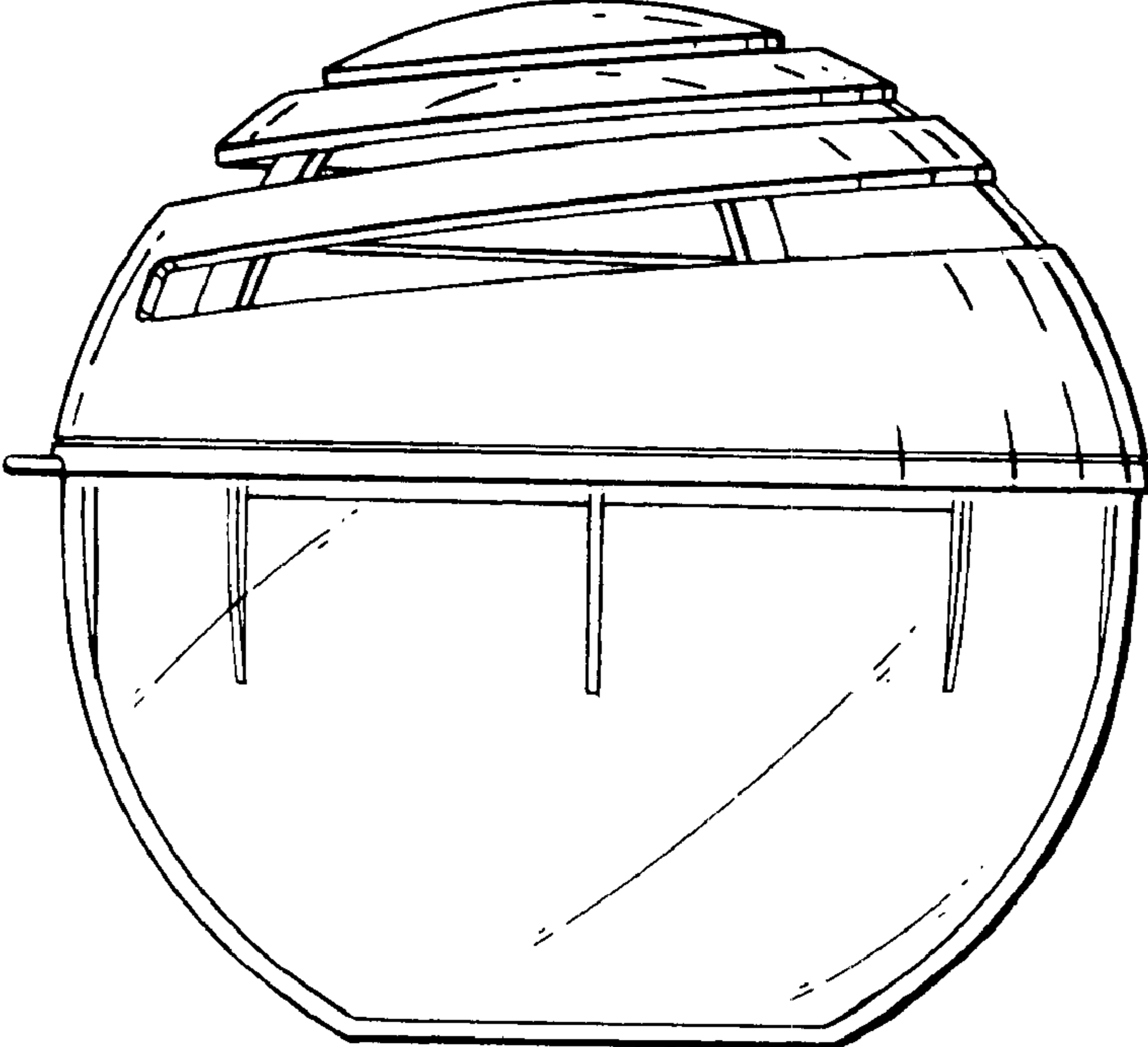


Fig.3.

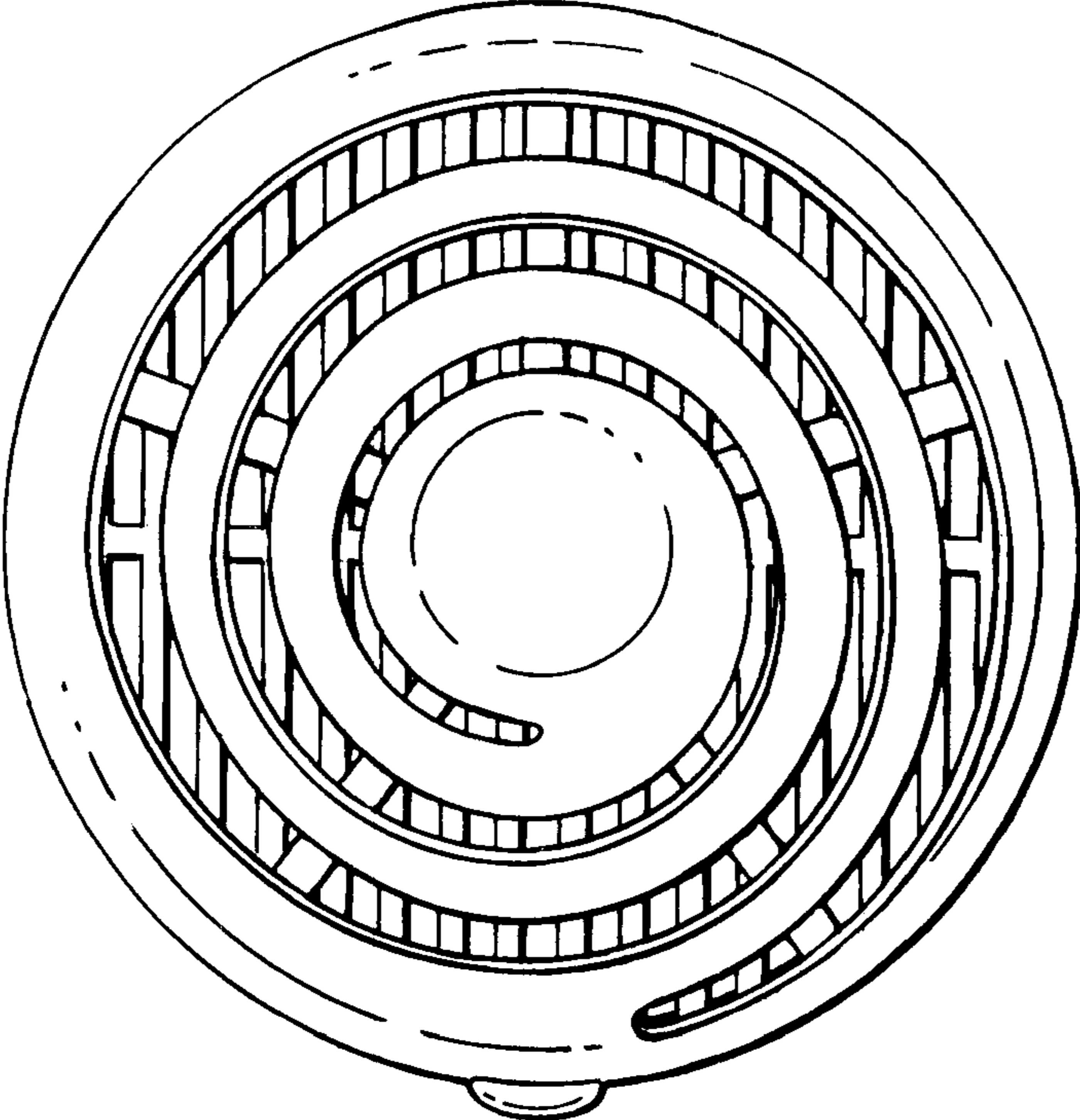


Fig.4.

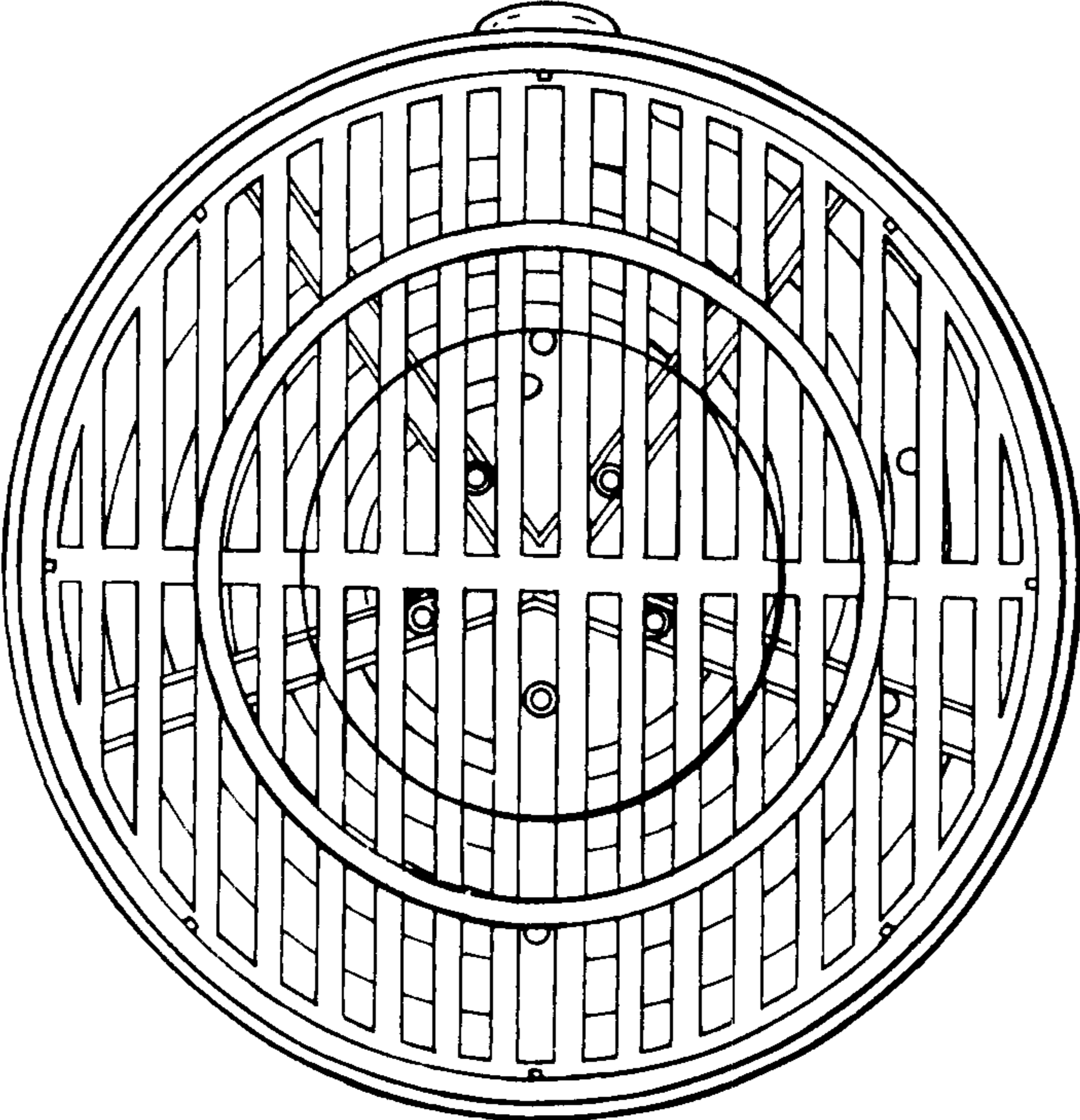


Fig.5.

UNITED STATES PATENT AND TRADEMARK OFFICE
CERTIFICATE OF CORRECTION

PATENT NO. : Des. 510,991 S
DATED : October 25, 2005
INVENTOR(S) : Richard Paul Harbutt, Thomas Edward Herman and Vicky Brown

Page 1 of 1

It is certified that error appears in the above-identified patent and that said Letters Patent is hereby corrected as shown below:

Title page.

Item [73], Assignee, "**Richard Paul Harbutt; Thomas Edward Herman; Vicky Brown**" should read -- **Reckitt Benckiser (UK) Limited**, 103-105 Bath Road Road, Slough Berkshire SL1 3UH, United Kingdom --.

Signed and Sealed this

Seventh Day of February, 2006

A handwritten signature in black ink on a light gray dotted background. The signature reads "Jon W. Dudas" in a cursive style.

JON W. DUDAS

Director of the United States Patent and Trademark Office