



US00D510990S

(12) **United States Design Patent** (10) **Patent No.:** **US D510,990 S**
Farchione (45) **Date of Patent:** **** Oct. 25, 2005**

(54) **AROMATIC DISPENSER**

FOREIGN PATENT DOCUMENTS

(76) Inventor: **Samuel Farchione**, 300 Myrtle Dr.,
Nokomis, FL (US) 34275

WO WO 02/09773 A2 2/2002

(**) Term: **14 Years**

OTHER PUBLICATIONS

(21) Appl. No.: **29/207,649**

Business Week, Feb. 23, 2004, p. 113.

(22) Filed: **Jun. 16, 2004**

* cited by examiner

(51) **LOC (8) Cl.** **23-04**

Primary Examiner—Antoine Duval Davis
Assistant Examiner—Sandra Snapp

(52) **U.S. Cl.** **D23/366**

(74) *Attorney, Agent, or Firm*—Gifford, Krass, Groh,
Sprinkle, Anderson & Citkowski, P.C.

(58) **Field of Search** D23/356–369;
392/390, 392, 394; 239/135, 136, 58; 261/DIG. 17,
DIG. 65

(57) **CLAIM**

We claim the ornamental design for an aromatic dispenser,
as shown and described.

(56) **References Cited**

DESCRIPTION

U.S. PATENT DOCUMENTS

D259,708 S *	6/1981	Swinstead	D10/80
4,407,585 A	10/1983	Hartford et al.	368/12
4,573,804 A	3/1986	Kavoussi et al.	368/12
4,671,435 A	6/1987	Stout et al.	222/646
D296,468 S *	6/1988	Greubel	D23/364
5,055,822 A	10/1991	Campbell et al.	340/407
5,212,672 A	5/1993	Loisch et al.	368/79
5,321,669 A	6/1994	Thayer et al.	368/12
6,021,254 A	2/2000	Hunter	392/390
6,026,987 A	2/2000	Burnett et al.	222/78
D424,185 S *	5/2000	Brown et al.	D23/368
2002/0068009 A1	6/2002	Laudamiel-Pellet et al. ...	422/5
2002/0068010 A1	6/2002	Laudamiel-Pellet et al. ...	422/5

FIG. 1 is a perspective frontal view of the aromatic dispenser of our new design;
FIG. 2 is a rear elevational view of the aromatic dispenser;
FIG. 3 is a left side elevational view of the aromatic dispenser, the right side elevational view being the mirror image of the left side elevational view;
FIG. 4 is a front elevational view of the aromatic dispenser;
FIG. 5 is a top plan view of the aromatic dispenser; and,
FIG. 6 is a bottom plan view of the aromatic dispenser.
The broken lines shown are for illustrative purposes only and form no part of the claimed invention.

1 Claim, 3 Drawing Sheets

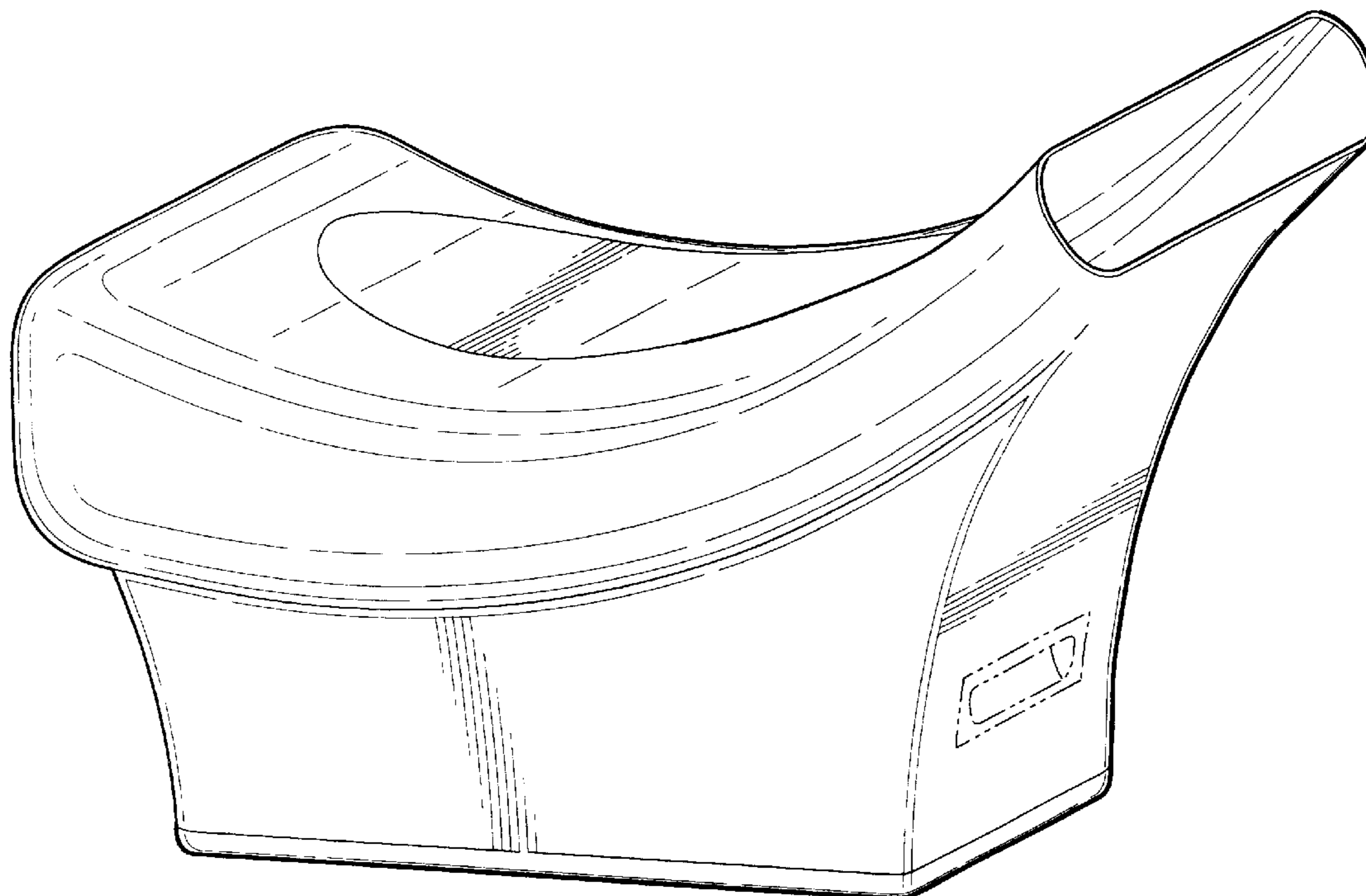


FIG - 1

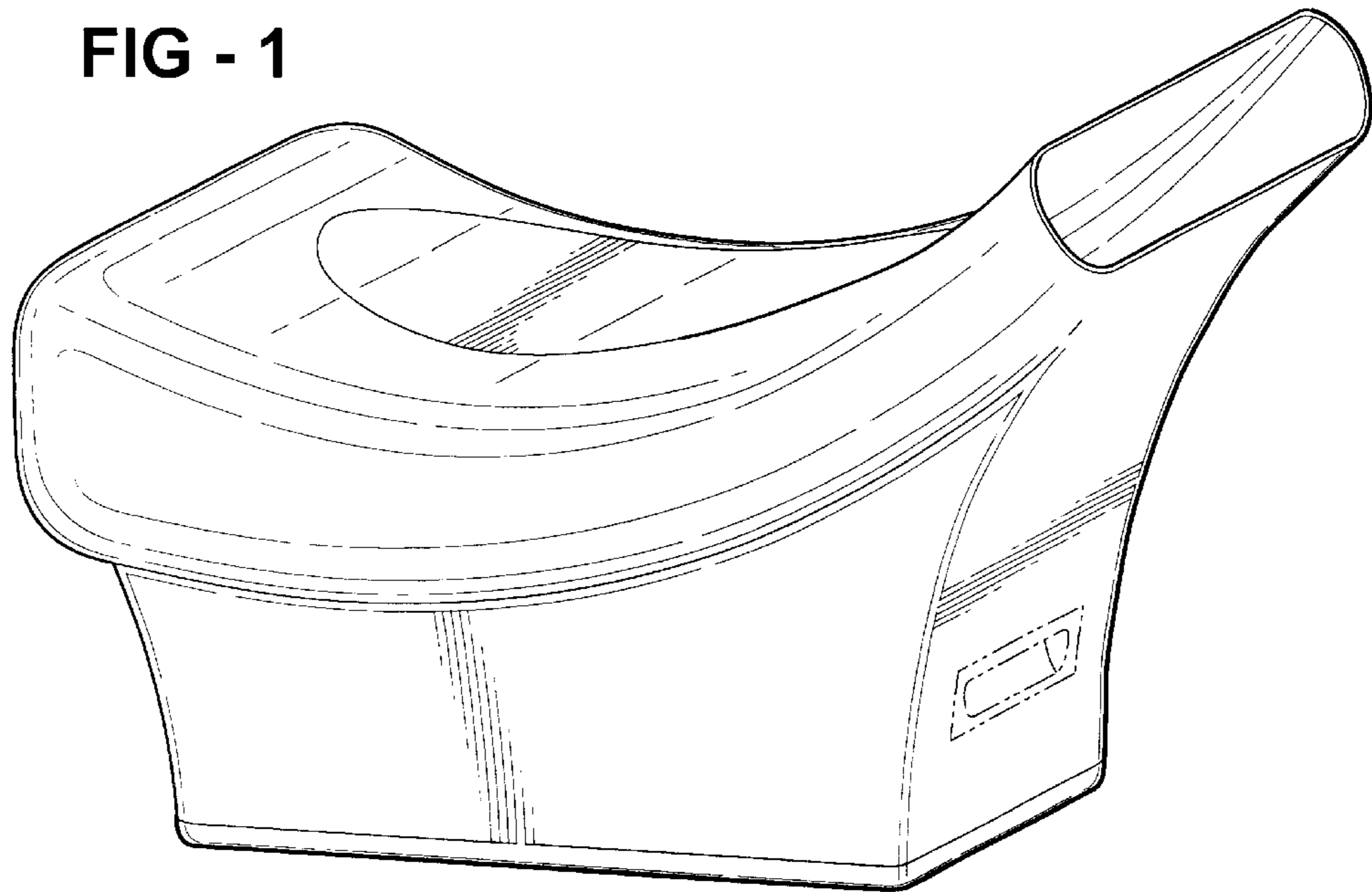


FIG - 2

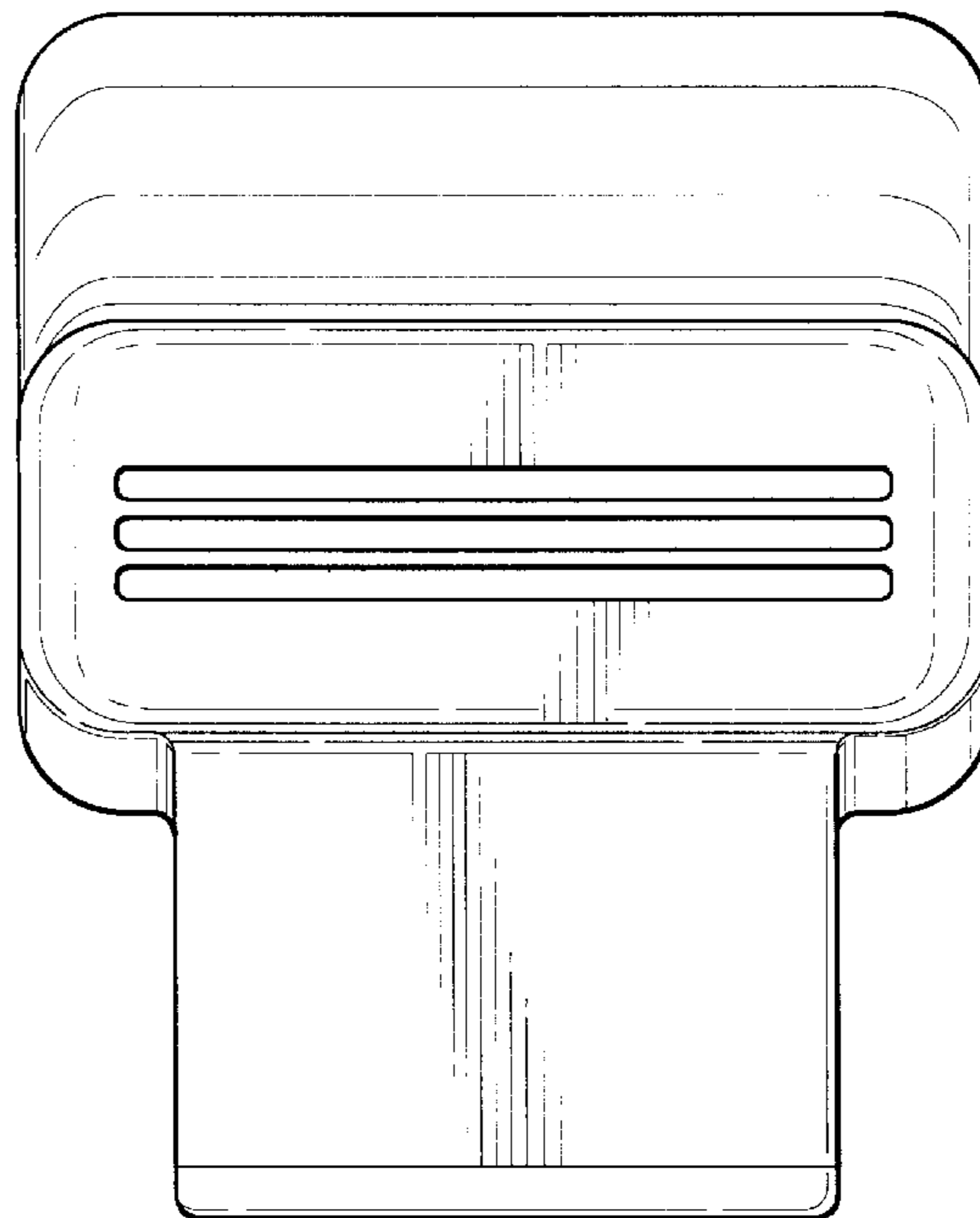


FIG - 3

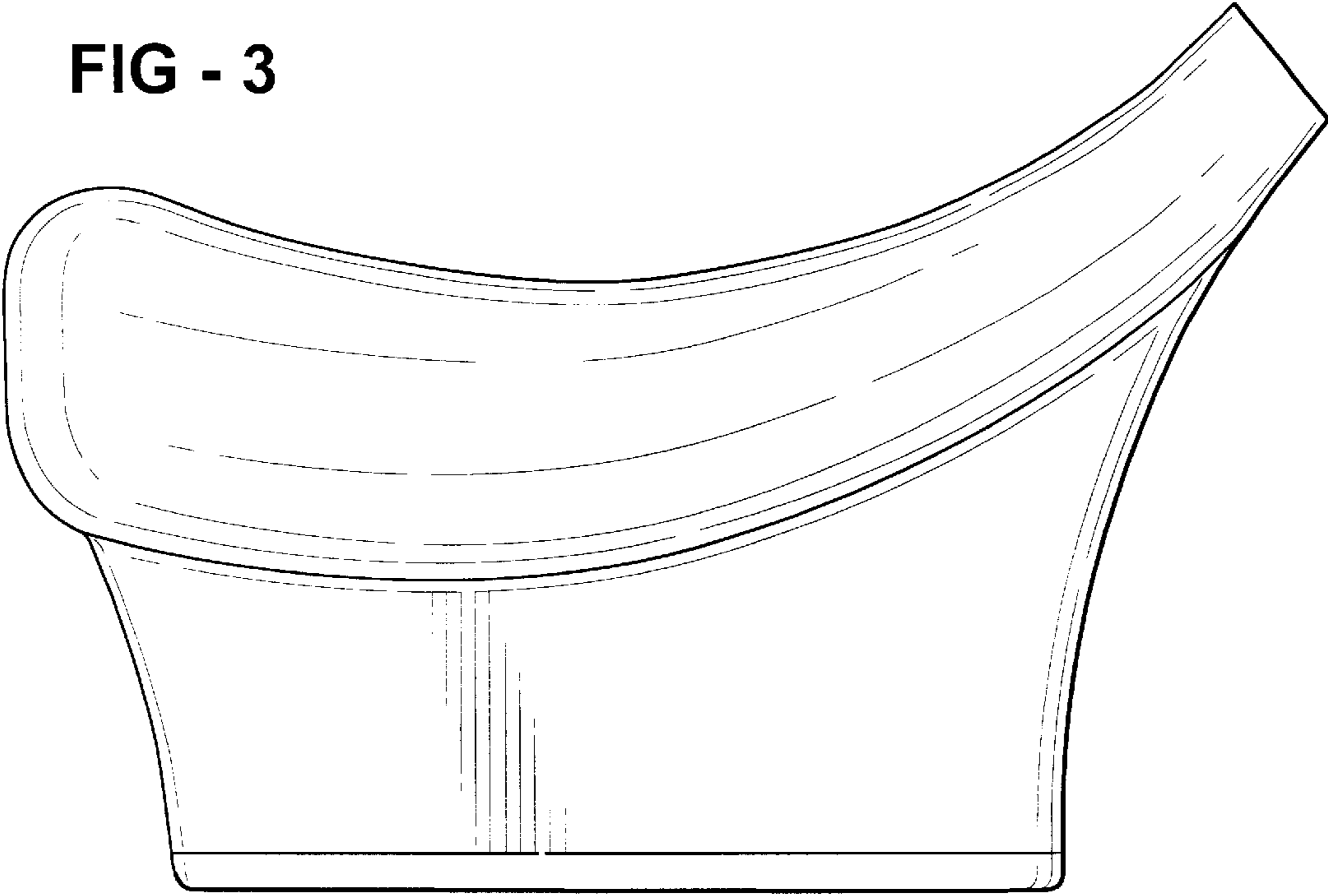


FIG - 4

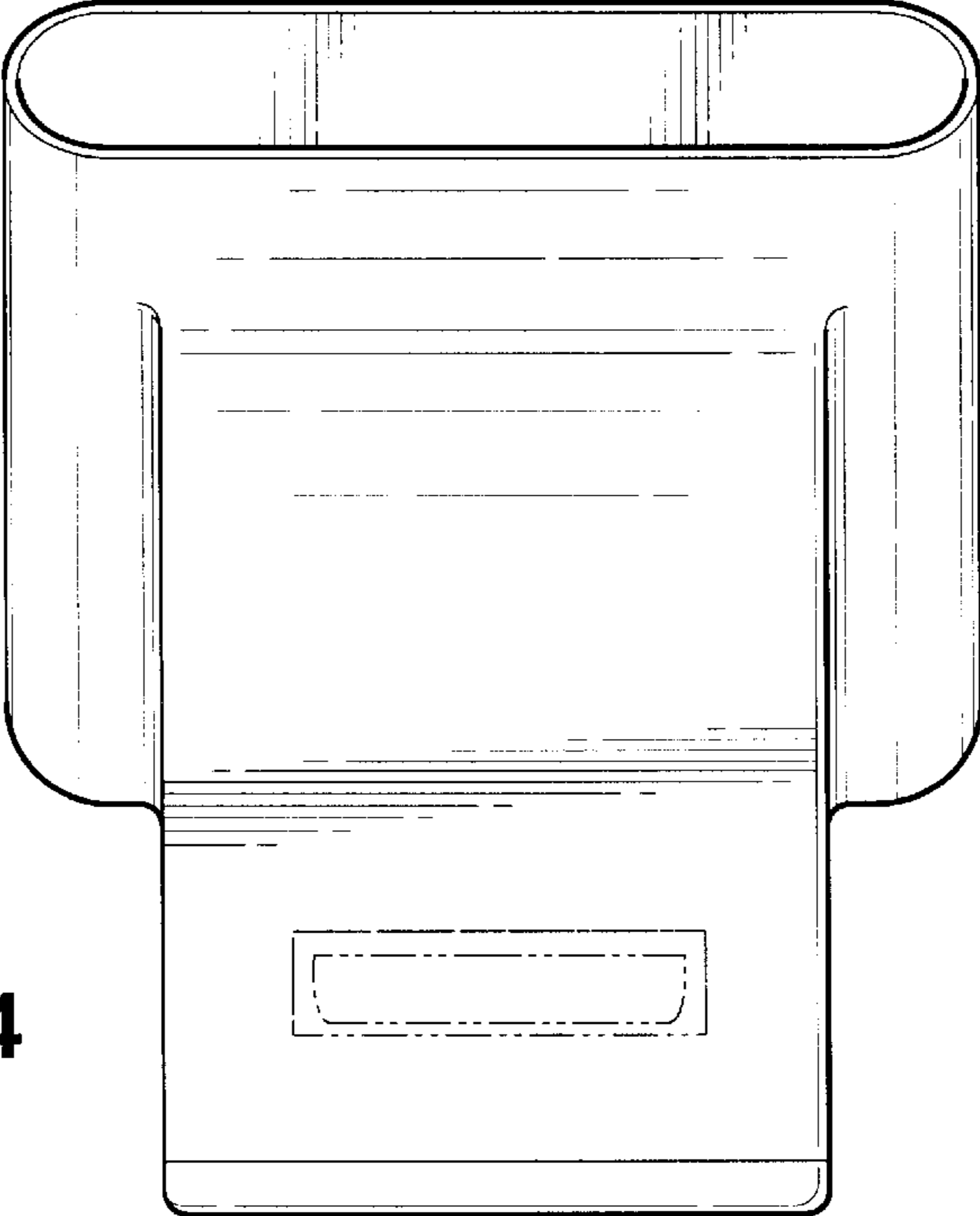


FIG - 5

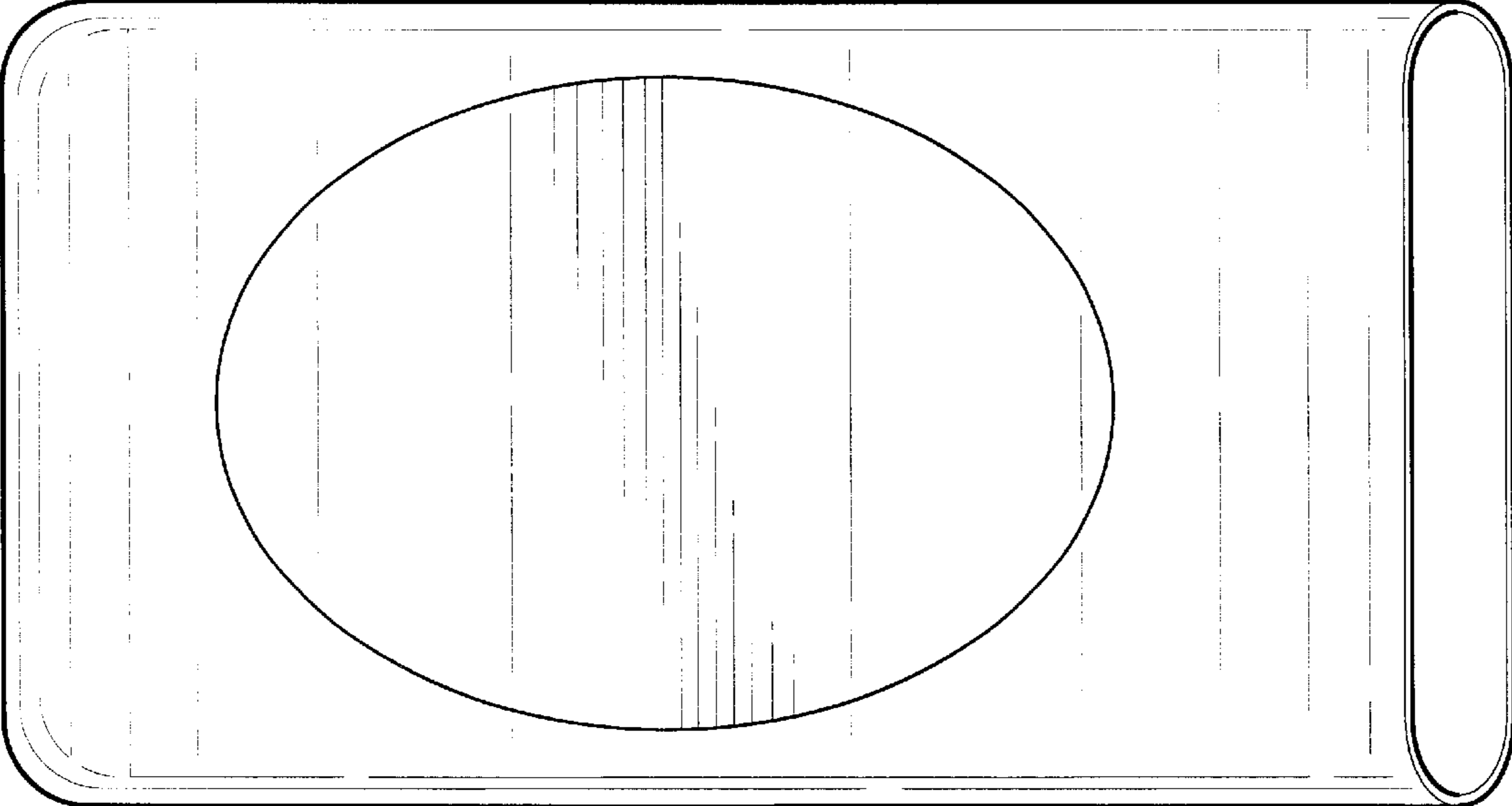


FIG - 6

