



US00D510985S

(12) **United States Design Patent** (10) **Patent No.:** **US D510,985 S**
Sutopo (45) **Date of Patent:** **** Oct. 25, 2005**

- (54) **SINK**
- (75) **Inventor:** **Elise A. Sutopo**, Sheboygan, WI (US)
- (73) **Assignee:** **Kohler Co.**, Kohler, WI (US)
- (**) **Term:** **14 Years**
- (21) **Appl. No.:** **29/216,580**
- (22) **Filed:** **Nov. 5, 2004**
- (51) **LOC (8) Cl.** **23-02**
- (52) **U.S. Cl.** **D23/284**
- (58) **Field of Search** D23/270-273,
D23/284-290, 293.1, 303, 308; 4/661-666,
619, 624, 630, 519, 638, 643, 515, 631,
637, 639-642

(56) **References Cited**

U.S. PATENT DOCUMENTS

D206,048 S	*	10/1966	Armstrong	D23/290
D297,163 S	*	8/1988	Blanc et al.	D23/290
D319,301 S	*	8/1991	Ris	D23/290
D329,279 S	*	9/1992	Blanc et al.	D23/287
D336,950 S	*	6/1993	Dannenberg	D23/284
D366,102 S	*	1/1996	Bonnell	D23/284
D393,699 S	*	4/1998	Bonnell	D23/284
5,797,150 A	*	8/1998	Lanz	4/619
D469,169 S		1/2003	Roberts		

OTHER PUBLICATIONS

Kohler catalog p. 16.36, Cast iron Kitchen Sinks, Self-Rimming or Undercounter, Iron/Tones.

* cited by examiner

Primary Examiner—Robert A. Delehanty
(74) *Attorney, Agent, or Firm*—Quarles & Brady LLP

(57) **CLAIM**

The ornamental design for a sink, as shown and described.

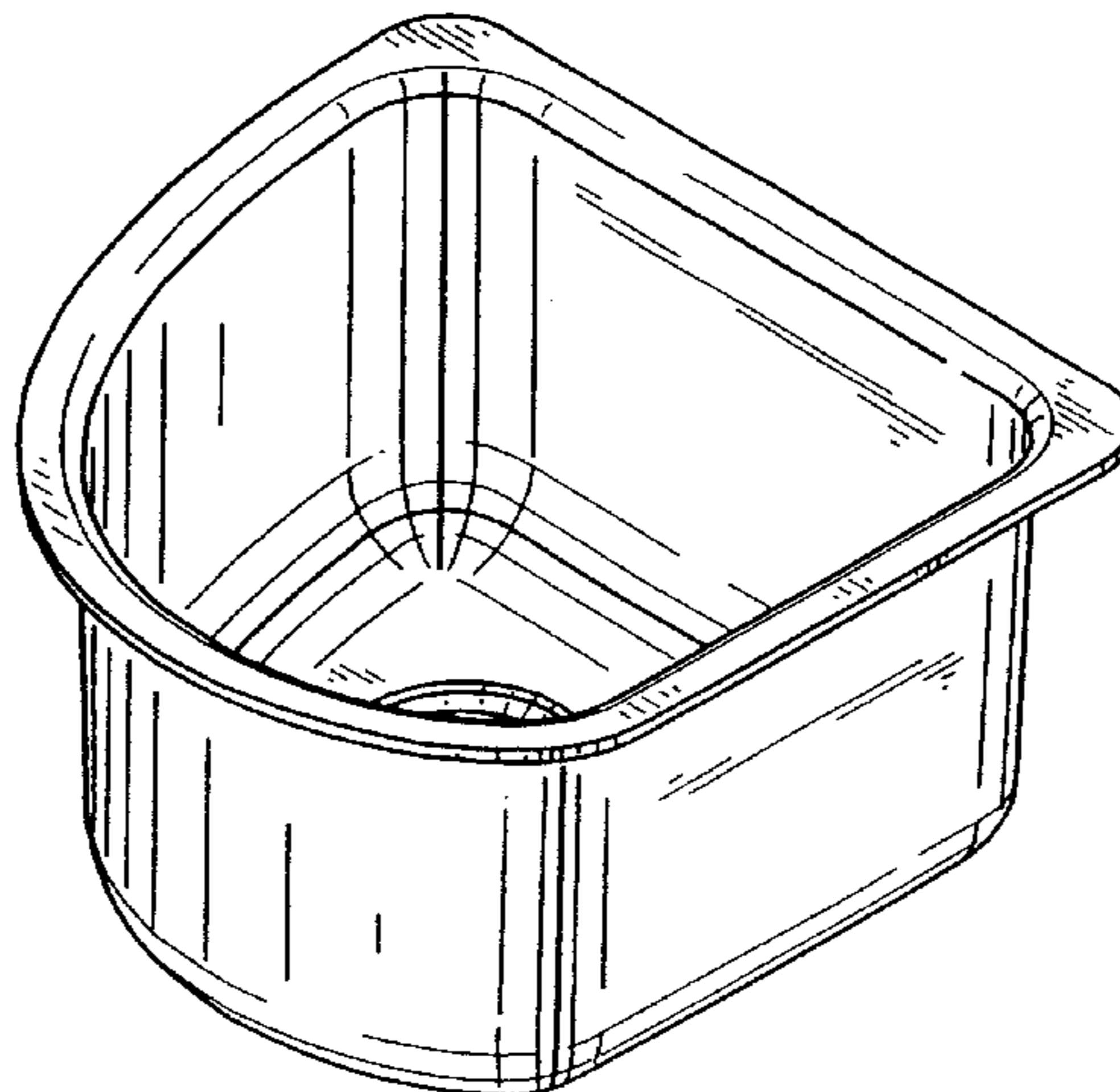
DESCRIPTION

In a preferred embodiment, the nature of this product is as a plumbing fixture in the form of a sink which is primarily useful for washing kitchen items.

FIG. 1 is left, top, front perspective view of a sink according to another embodiment of my new design;
 FIG. 2 is a top plan view thereof;
 FIG. 3 is a front elevational view thereof;
 FIG. 4 is a left side elevational view thereof;
 FIG. 5 is a right side elevational view thereof;
 FIG. 6 is a rear elevational view thereof;
 FIG. 7 is a bottom plan view thereof;
 FIG. 8 is a right, top, front perspective view of a sink according to another embodiment of my new design, the front, right side, left side and rear elevational views thereof are mirror images of FIGS. 3-6, respectively, the bottom plan view thereof being a mirror image of FIG. 7;
 FIG. 9 is a top plan view thereof;
 FIG. 10 is a right, top, front perspective view of the FIG. 8 sink but shown with sink environment used therewith, the right side elevational view being a mirror image of FIG. 4;
 FIG. 11 is a top plan view thereof;
 FIG. 12 is a front elevational view thereof;
 FIG. 13 is a right side elevational view thereof
 FIG. 14 is a rear elevational view thereof;
 FIG. 15 is bottom plan view thereof;
 FIG. 16 is a left, top, front perspective view of the FIG. 1 sink but shown with sink environment used therewith, the front, left side and rear elevational views thereof being mirror images of FIGS. 12, 13 and 14, respectively, and the bottom plan view thereof being a mirror of FIG. 21;
 FIG. 17 is a top plan view thereof;
 FIG. 18 is a left, top, front perspective view of the FIG. 1 sink but shown with sink environment used therewith;
 FIG. 19 is a top plan view thereof;
 FIG. 20 is a front elevational view thereof;
 FIG. 21 is a left side elevational view thereof;
 FIG. 22 is a rear elevational view thereof;
 FIG. 23 is a bottom plan view thereof;
 FIG. 24 is a left, top, front perspective view of the FIG. 8 but shown sink environment used therewith, the front, right side and rear elevational views thereof being mirror images of FIGS. 20-22, respectively, and the bottom plan view thereof being a mirror image of FIG. 23; and,
 FIG. 25 is a top plan view thereof.

The broken line representations of the sink environment in FIGS. 10-12, 14-20, and 22-25 are for the purpose of illustration only, and form no part of the claimed design.

1 Claim, 13 Drawing Sheets



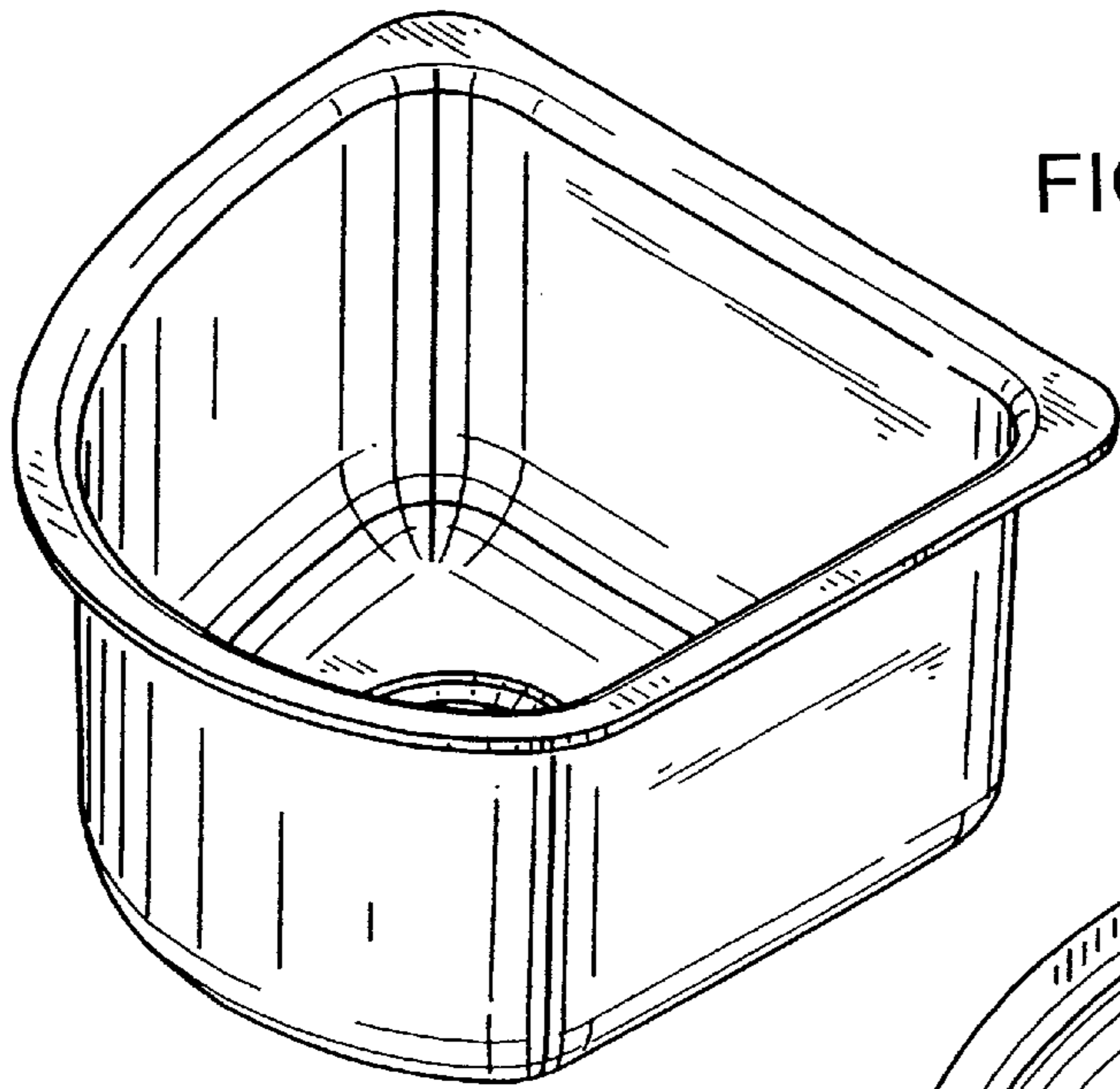


FIG. 1

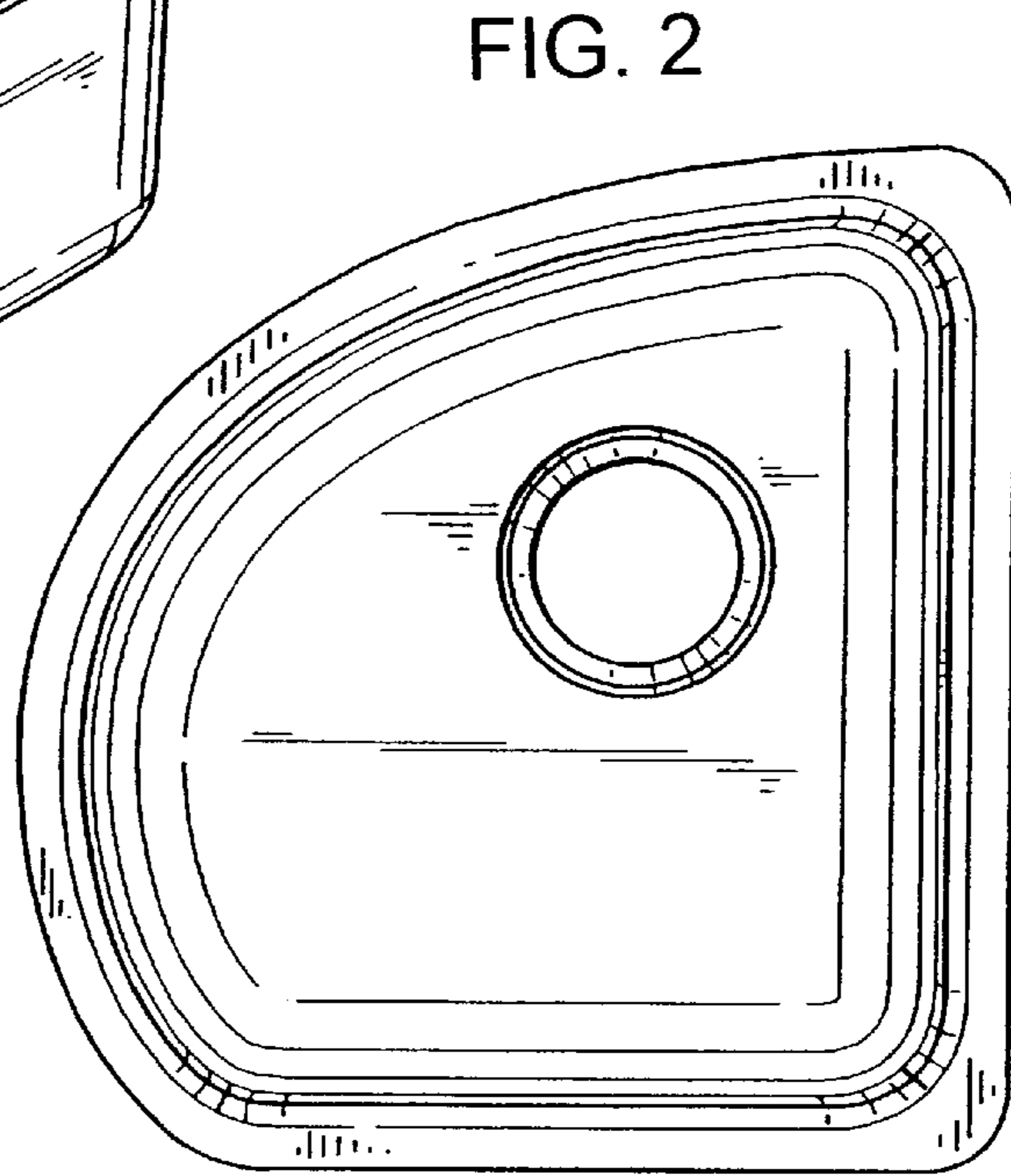


FIG. 2

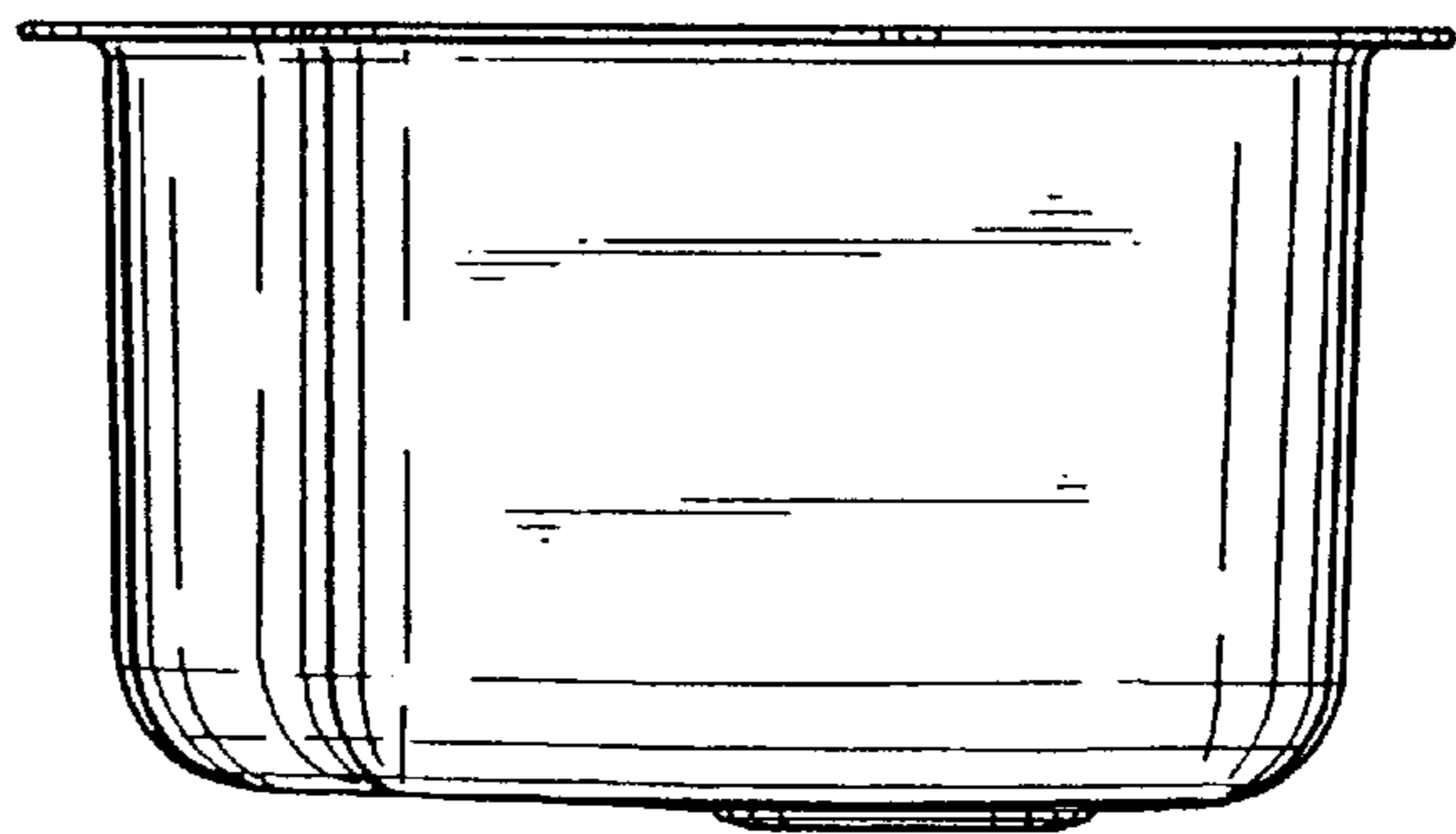


FIG. 3

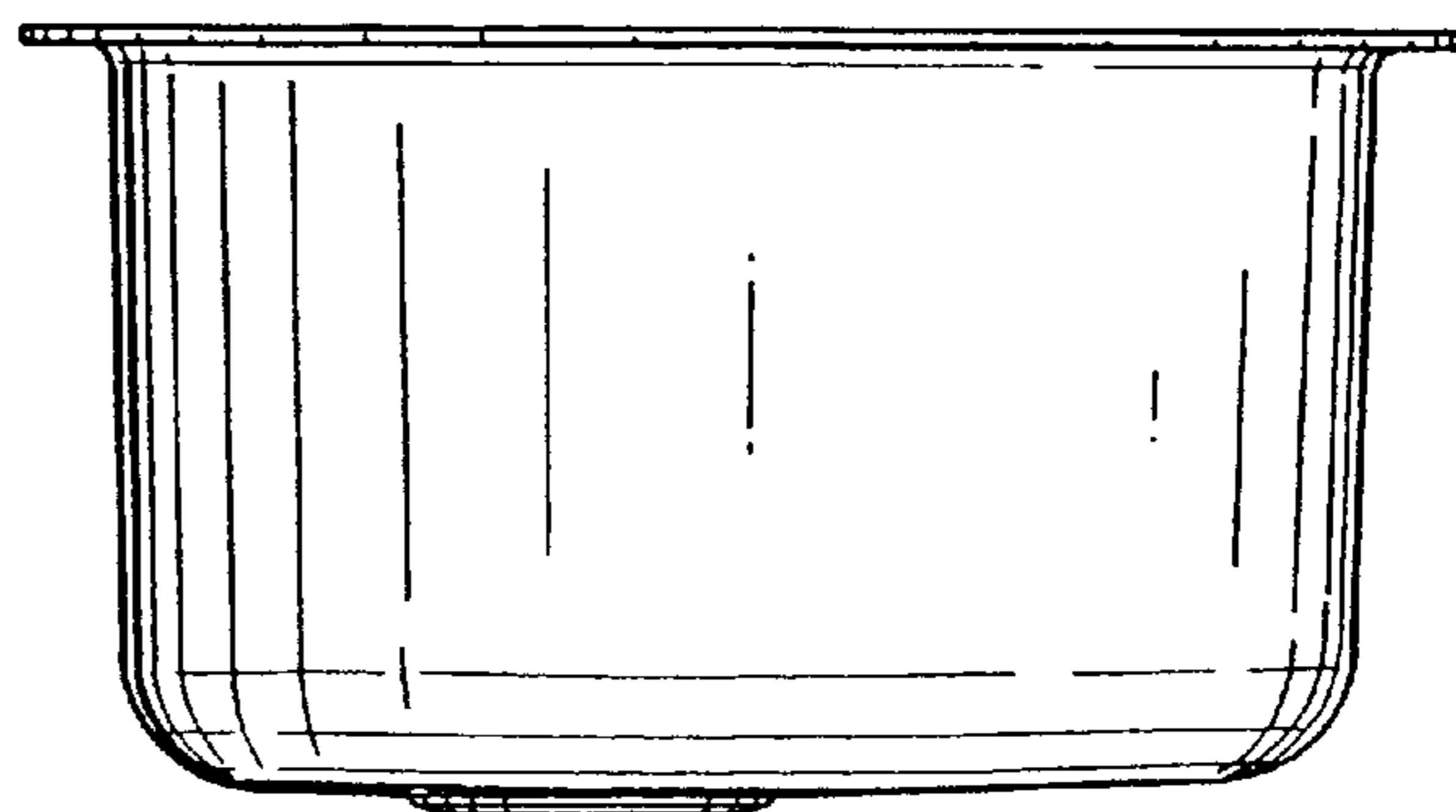


FIG. 4

FIG. 5

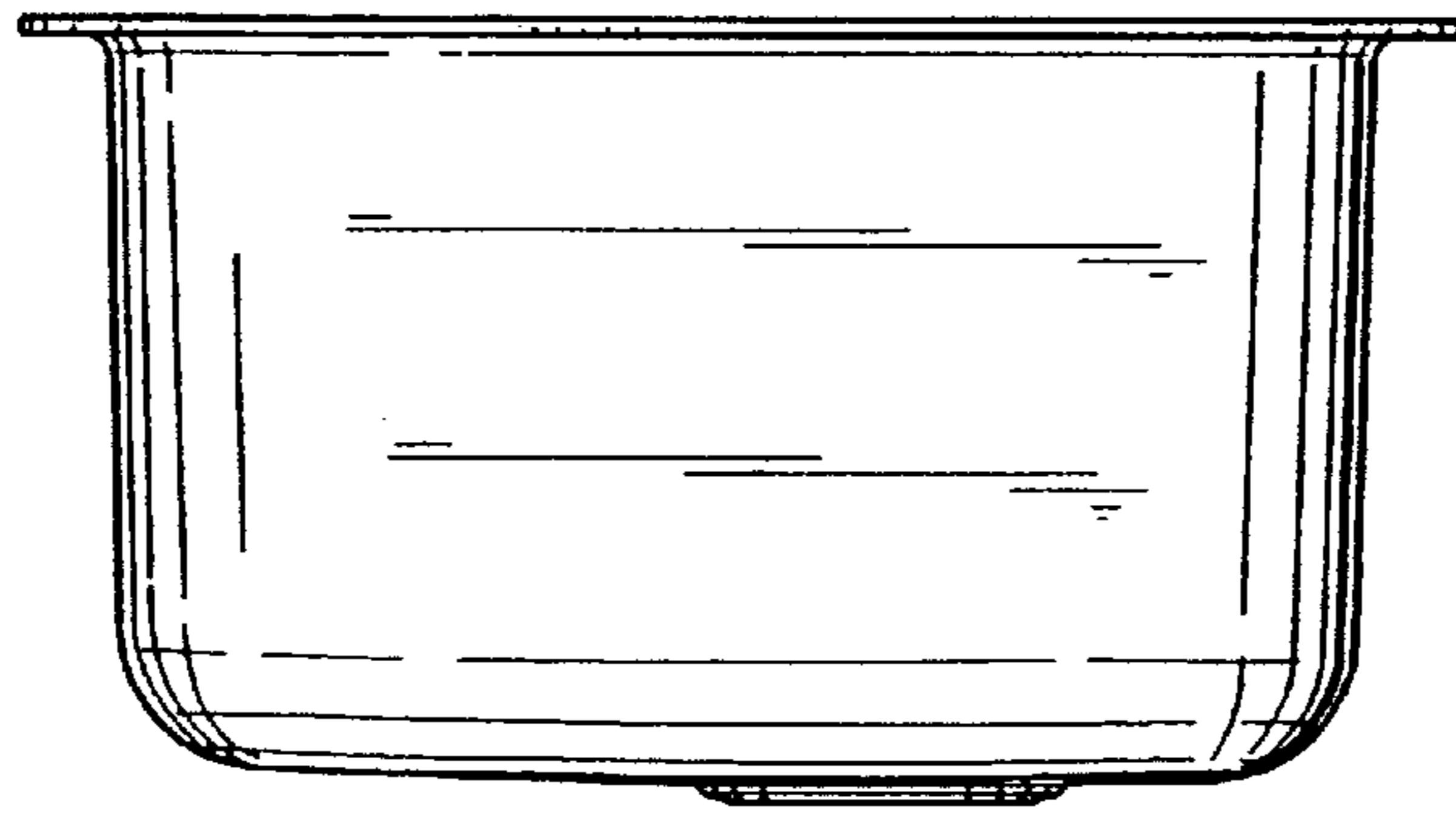


FIG. 6

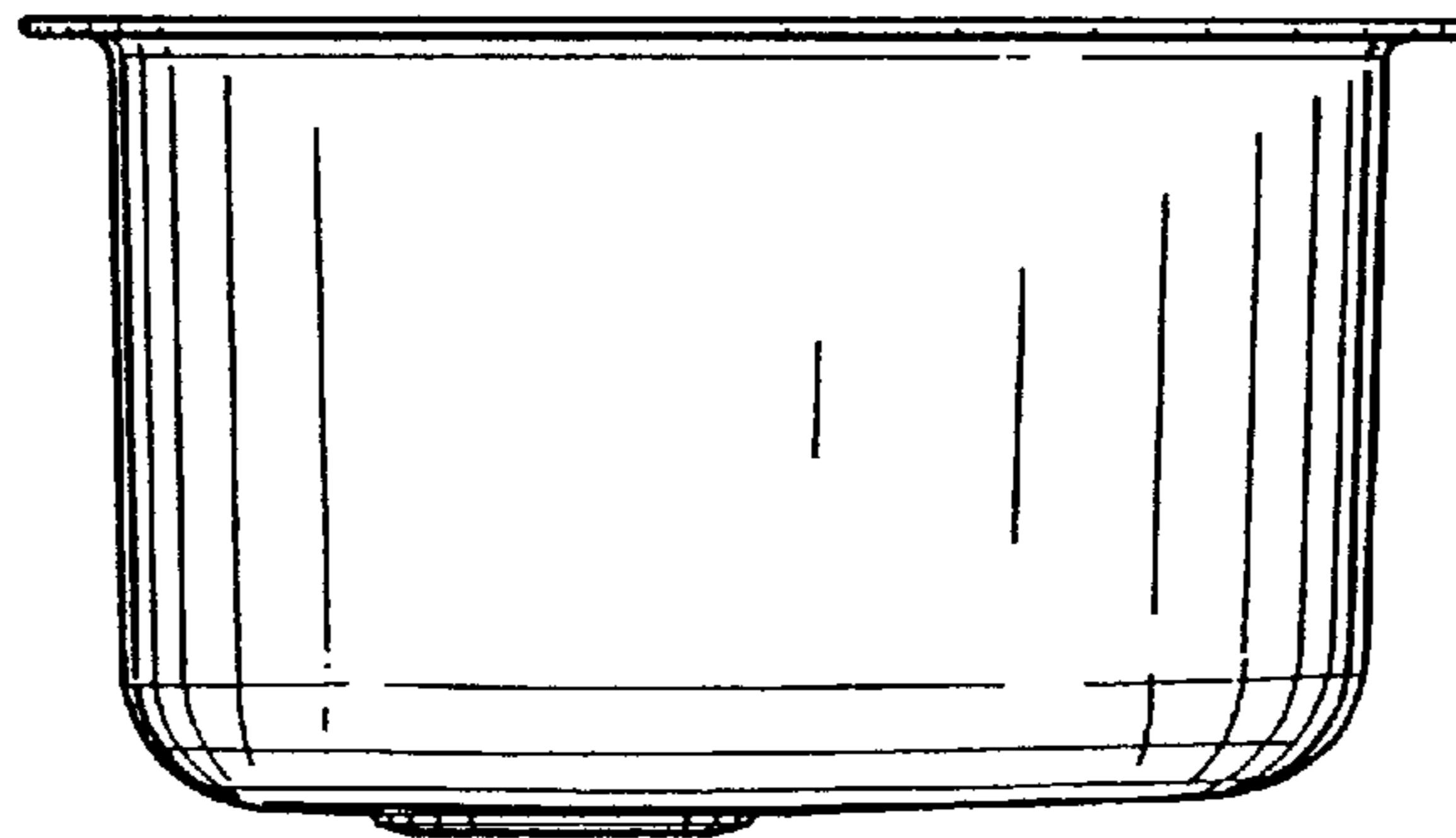


FIG. 7

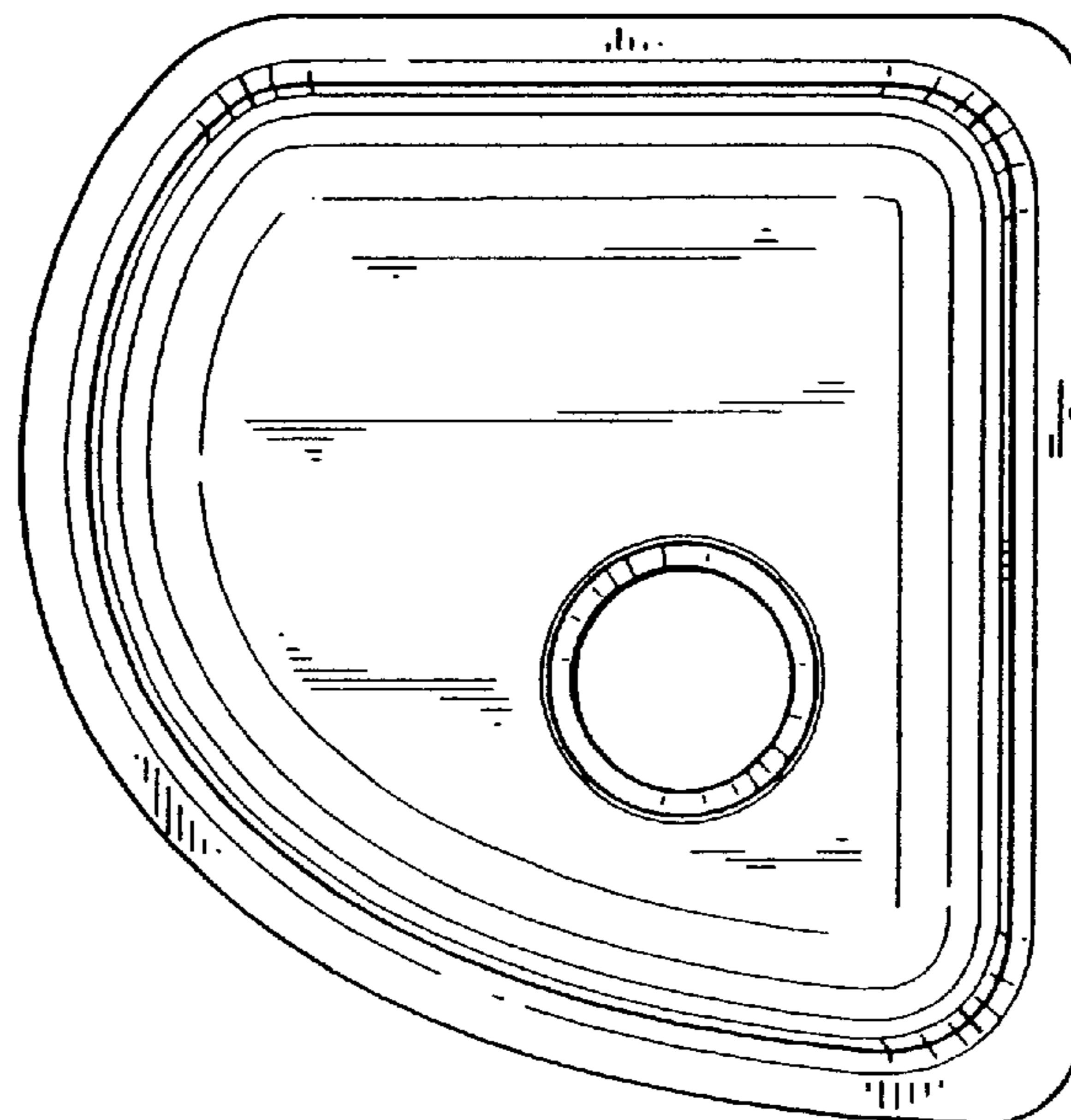


FIG. 8

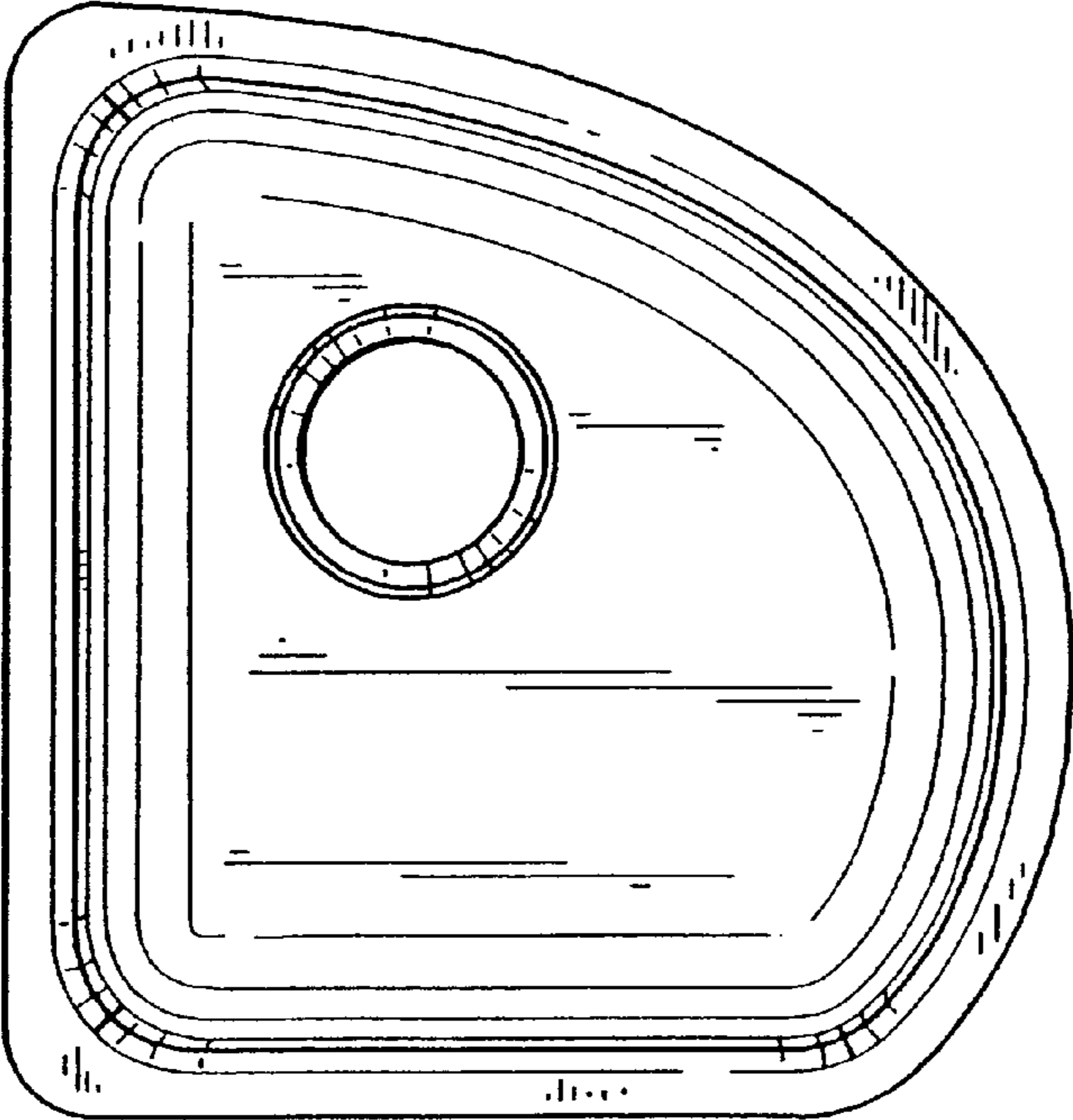
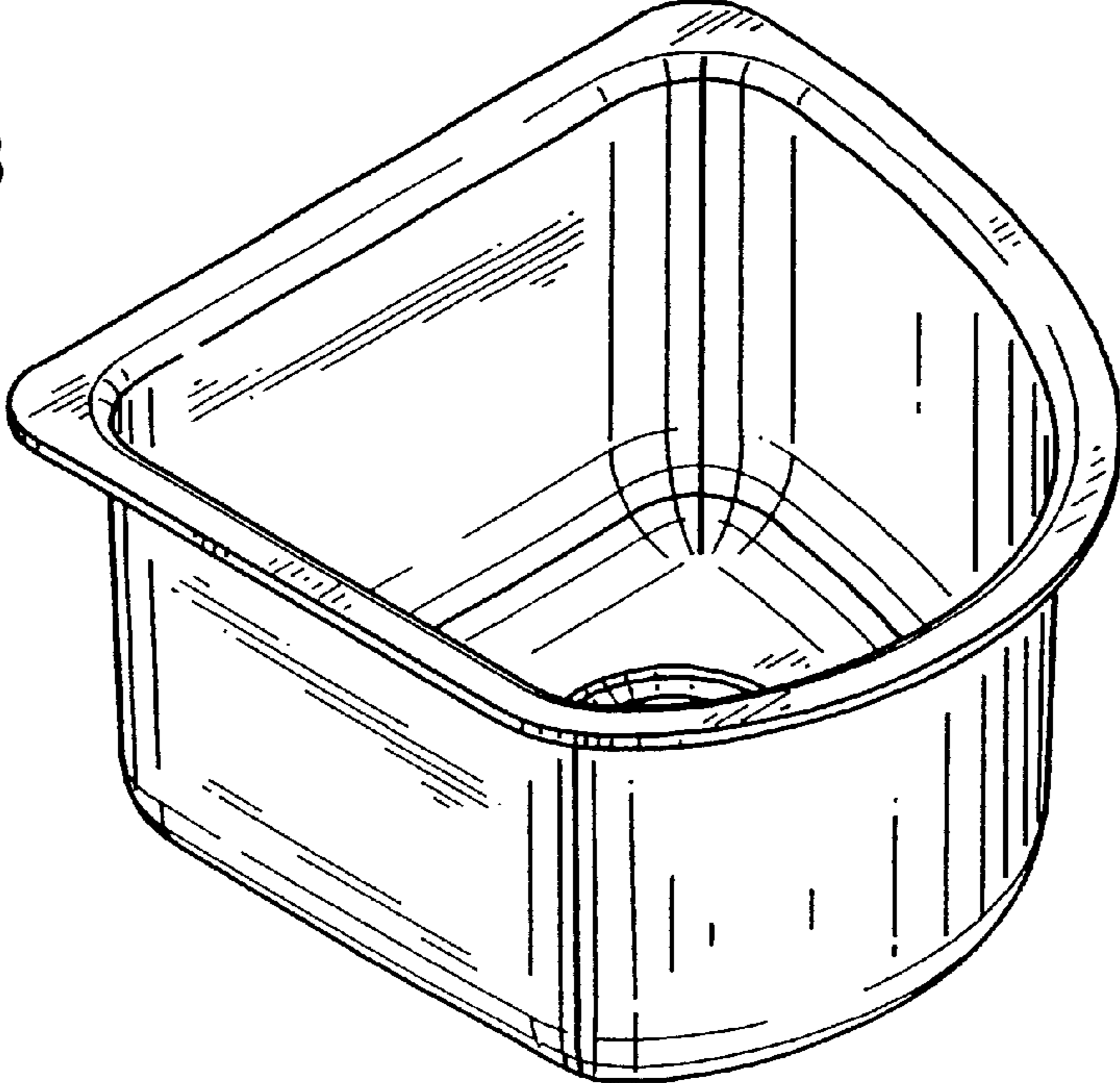


FIG. 9

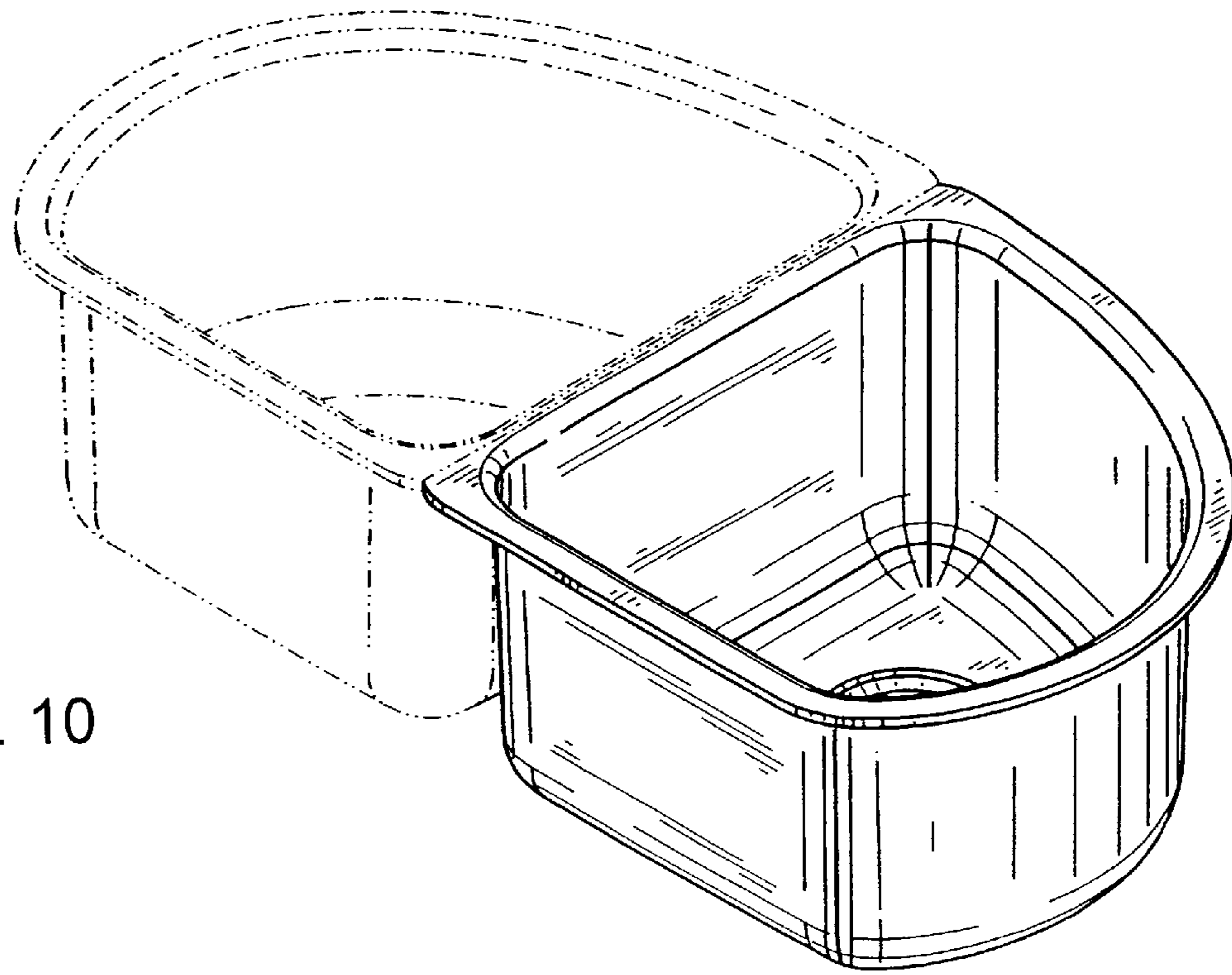


FIG. 10

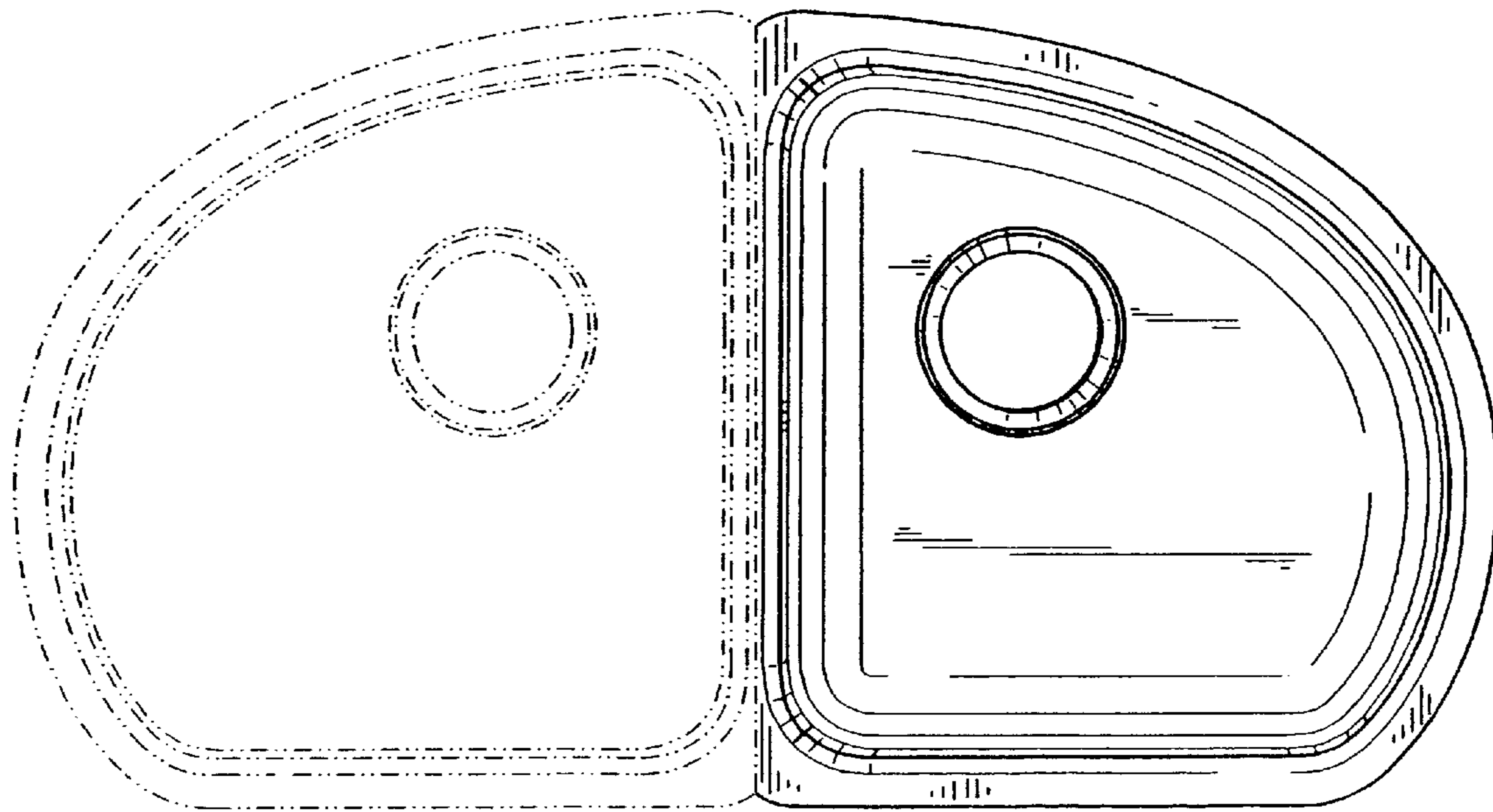


FIG. 11

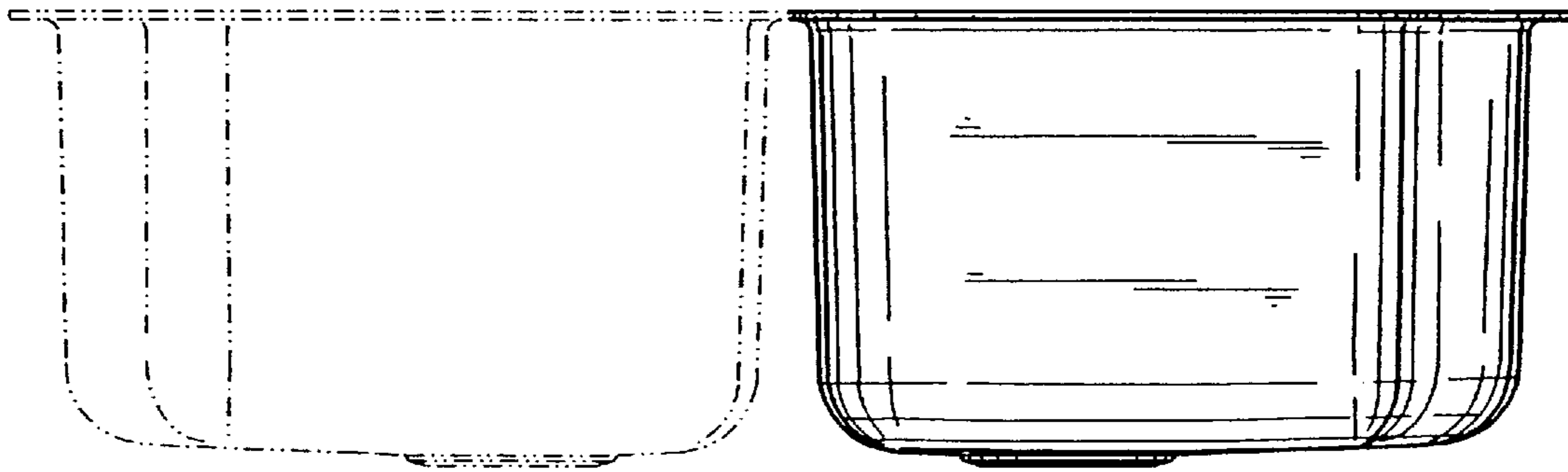


FIG. 12

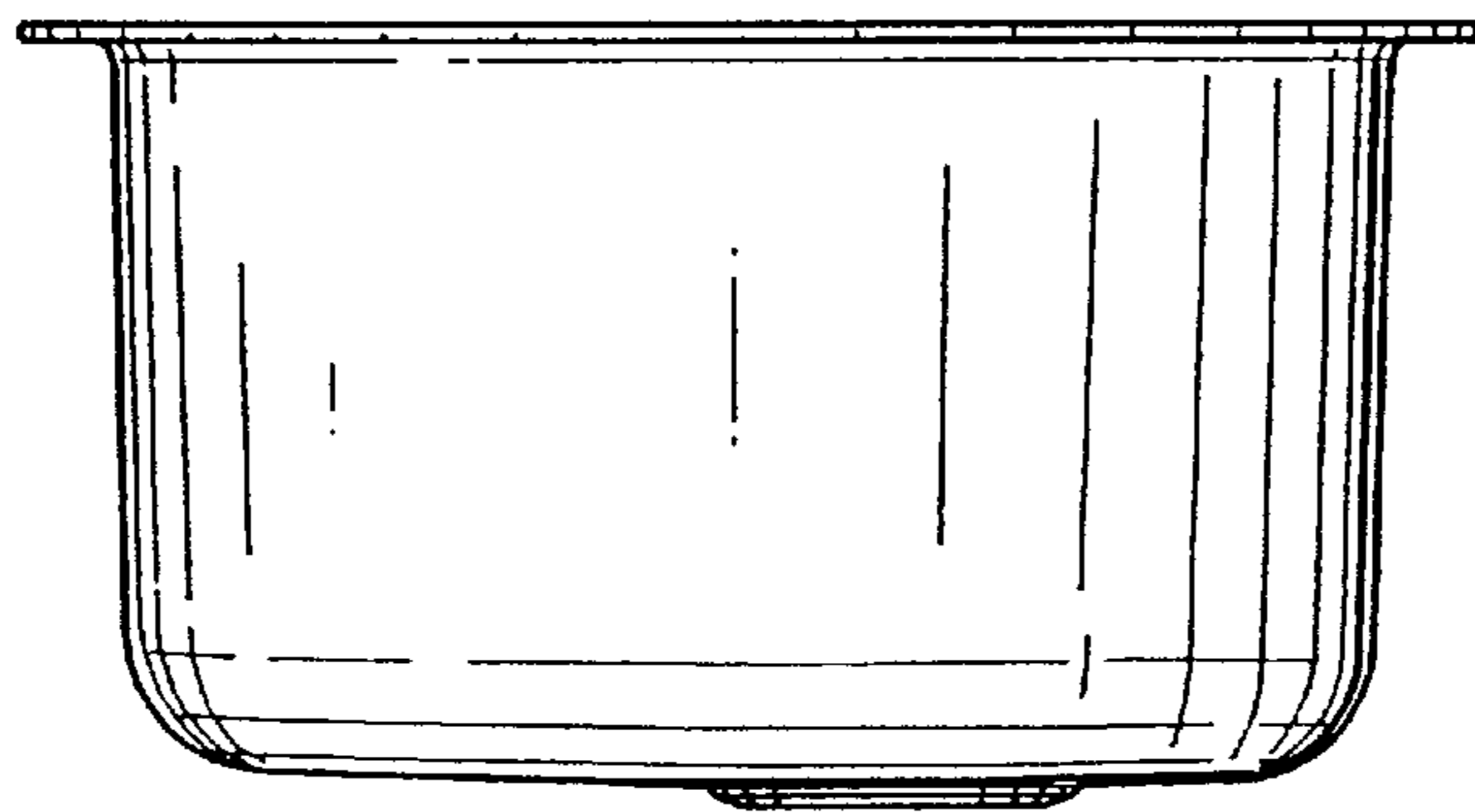


FIG. 13

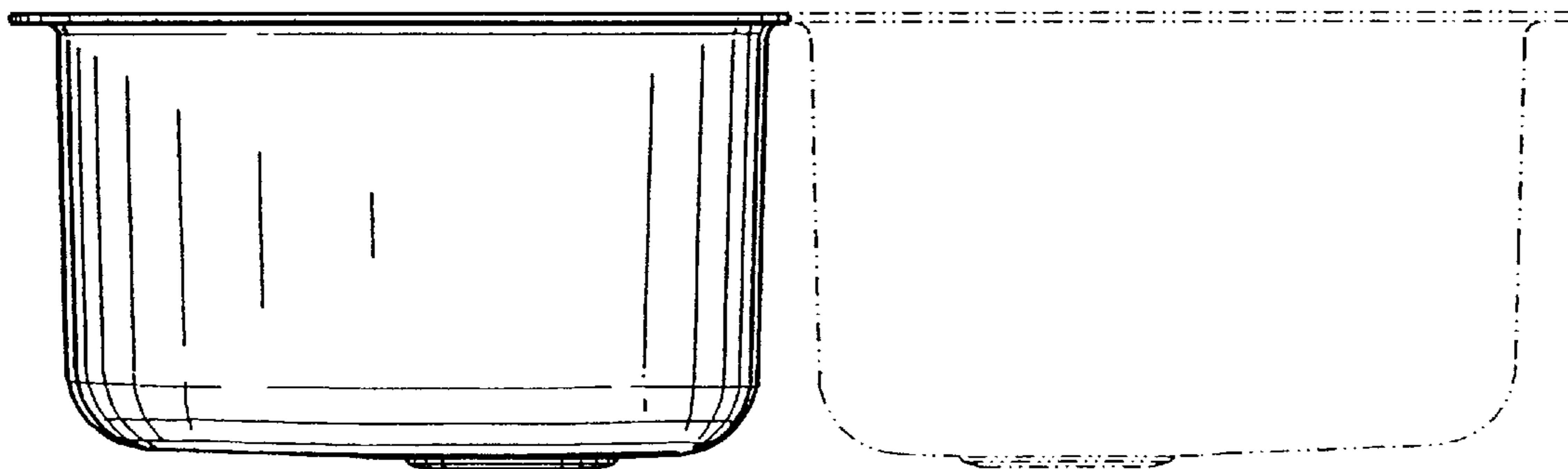


FIG. 14

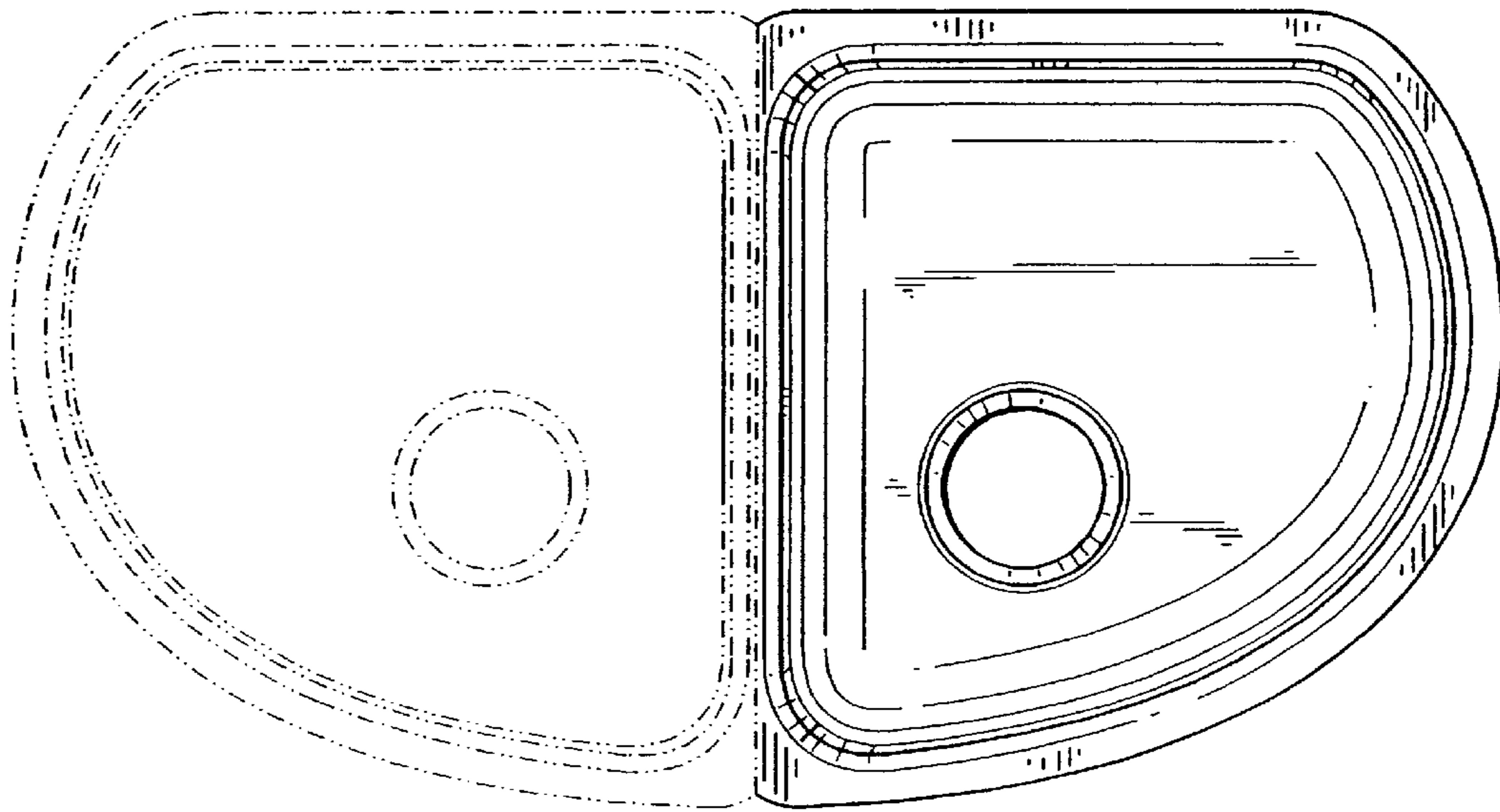


FIG. 15

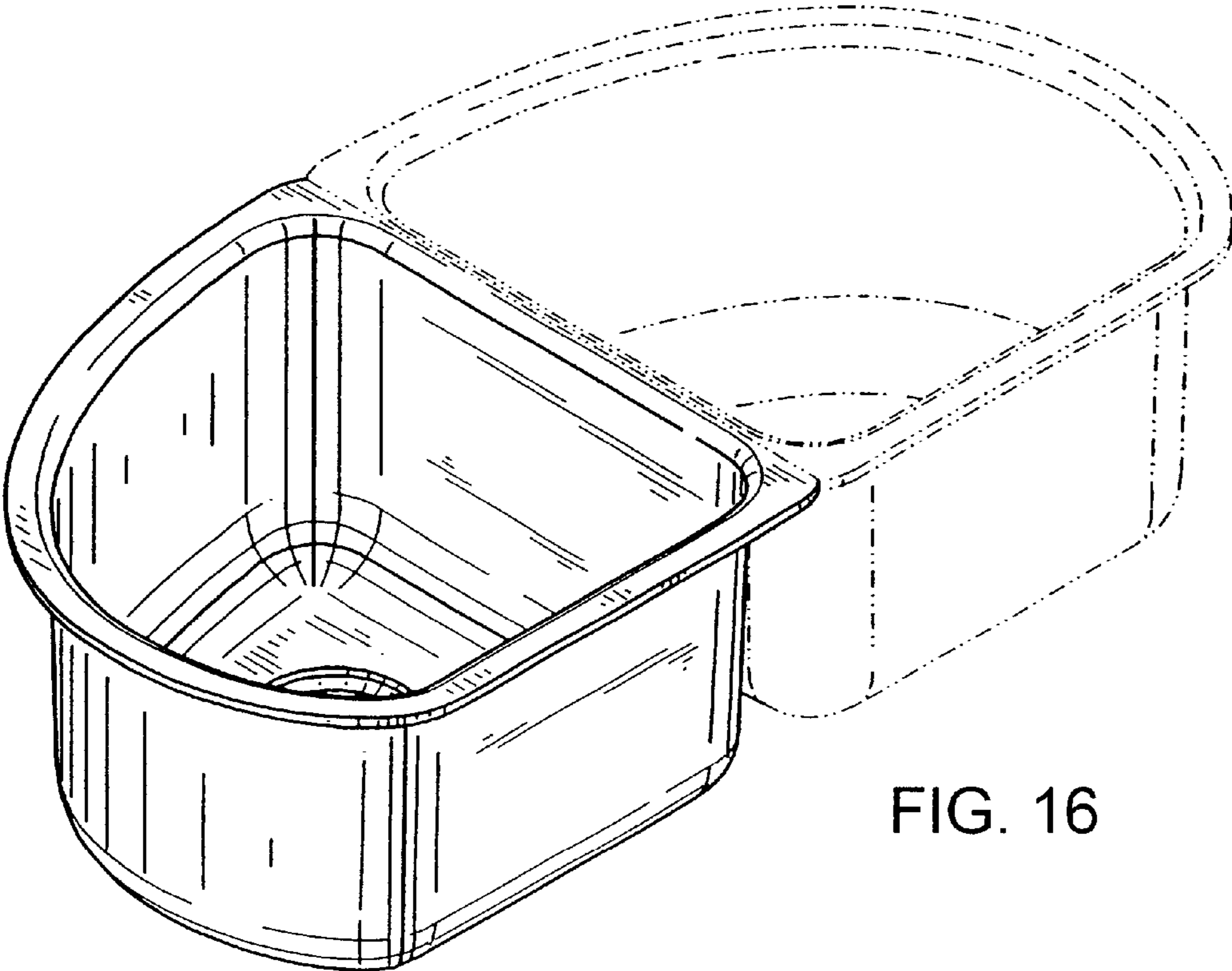


FIG. 16

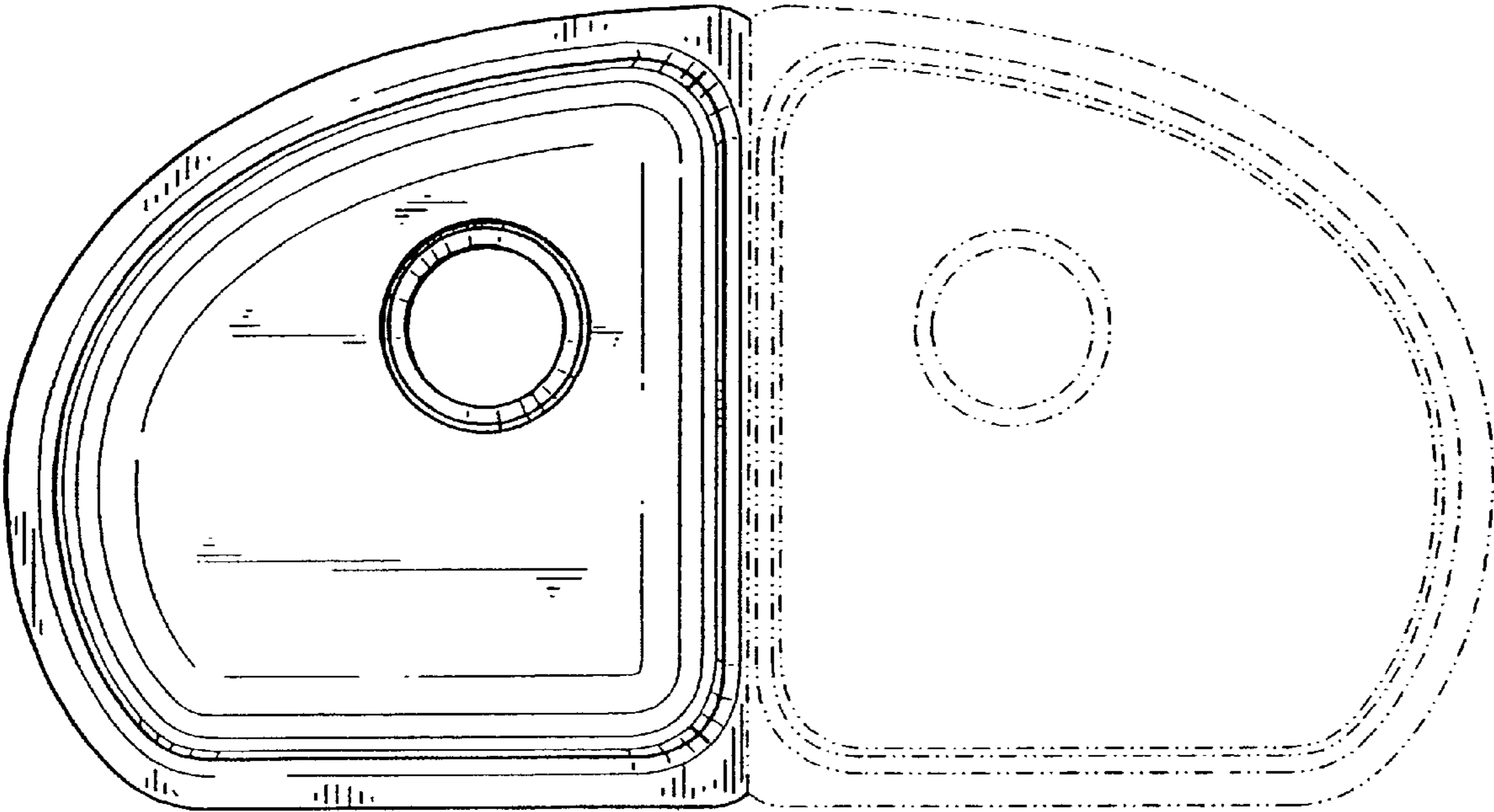


FIG. 17

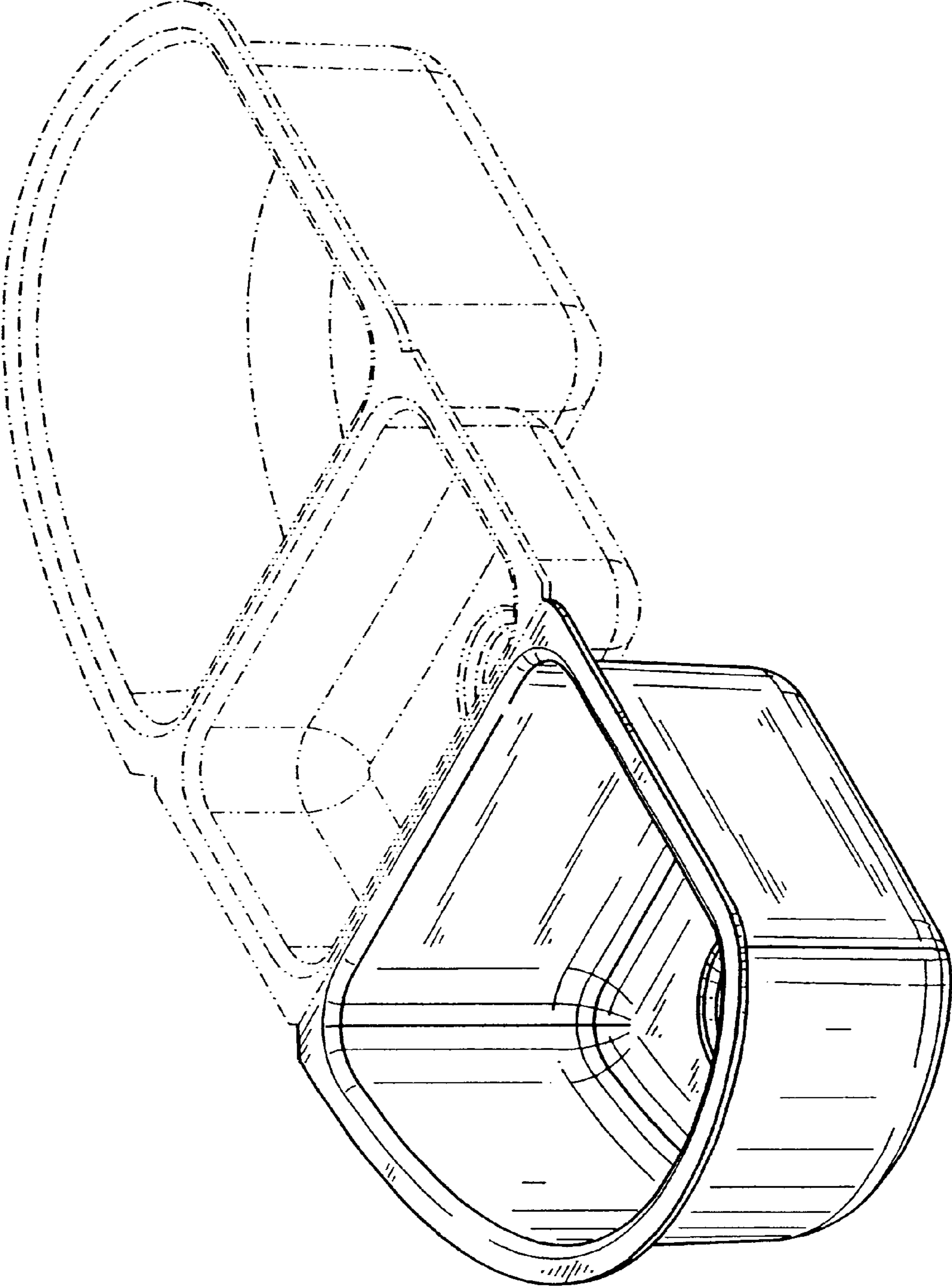
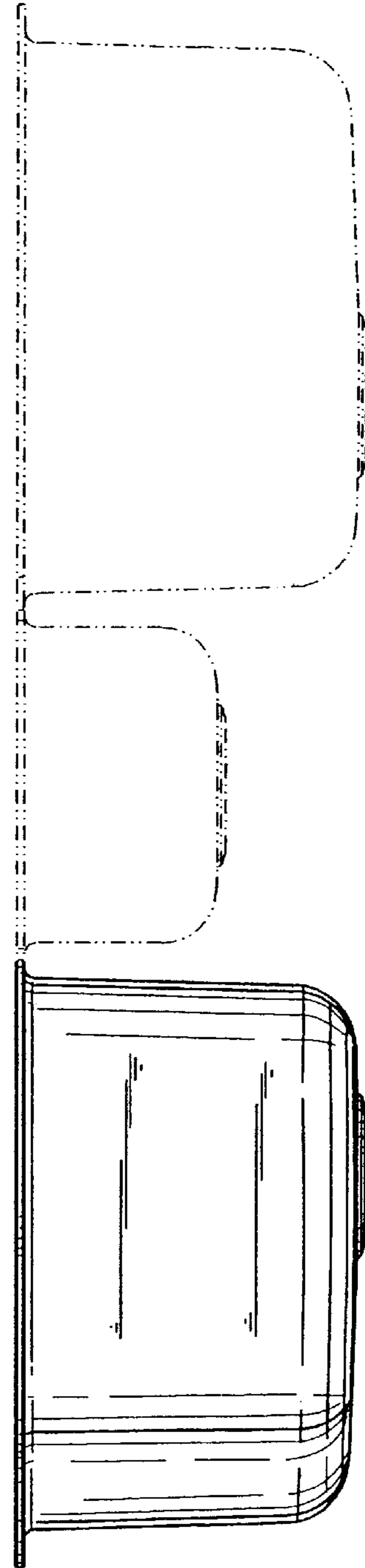
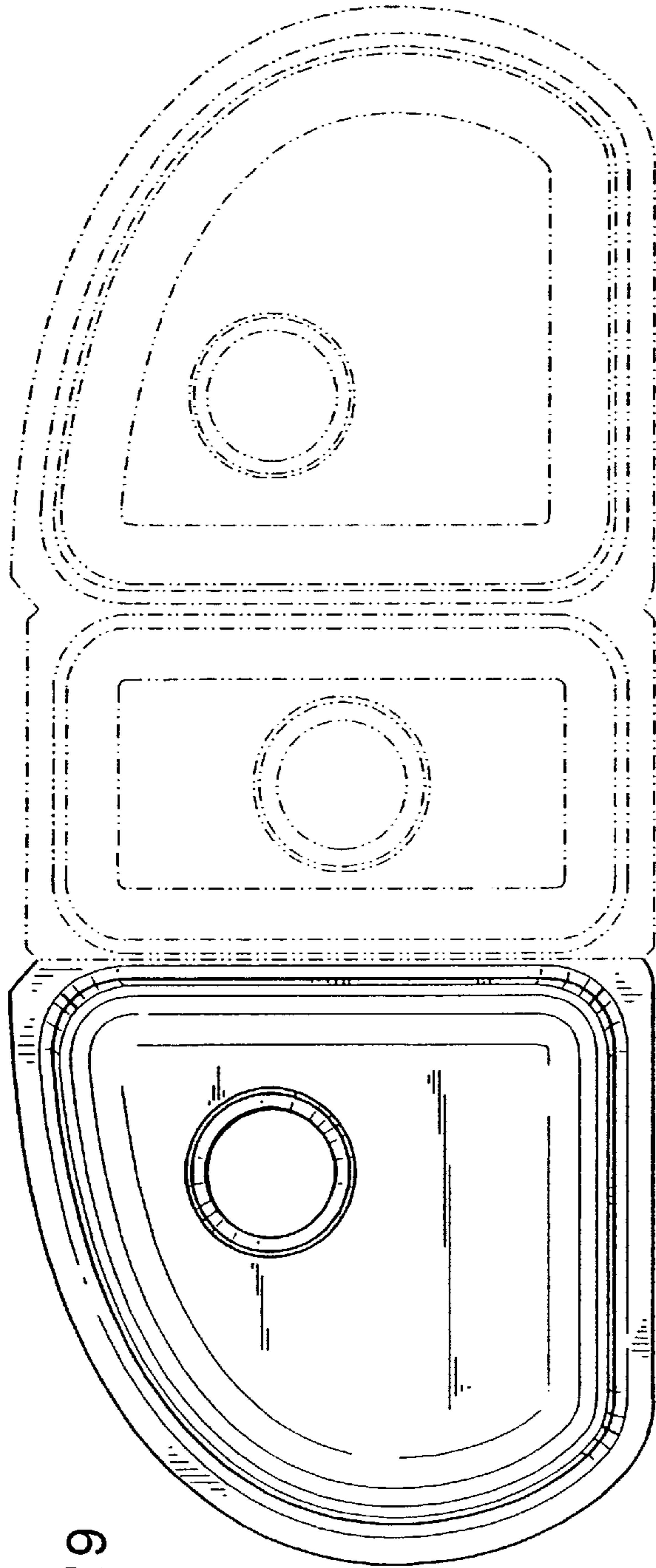


FIG. 18



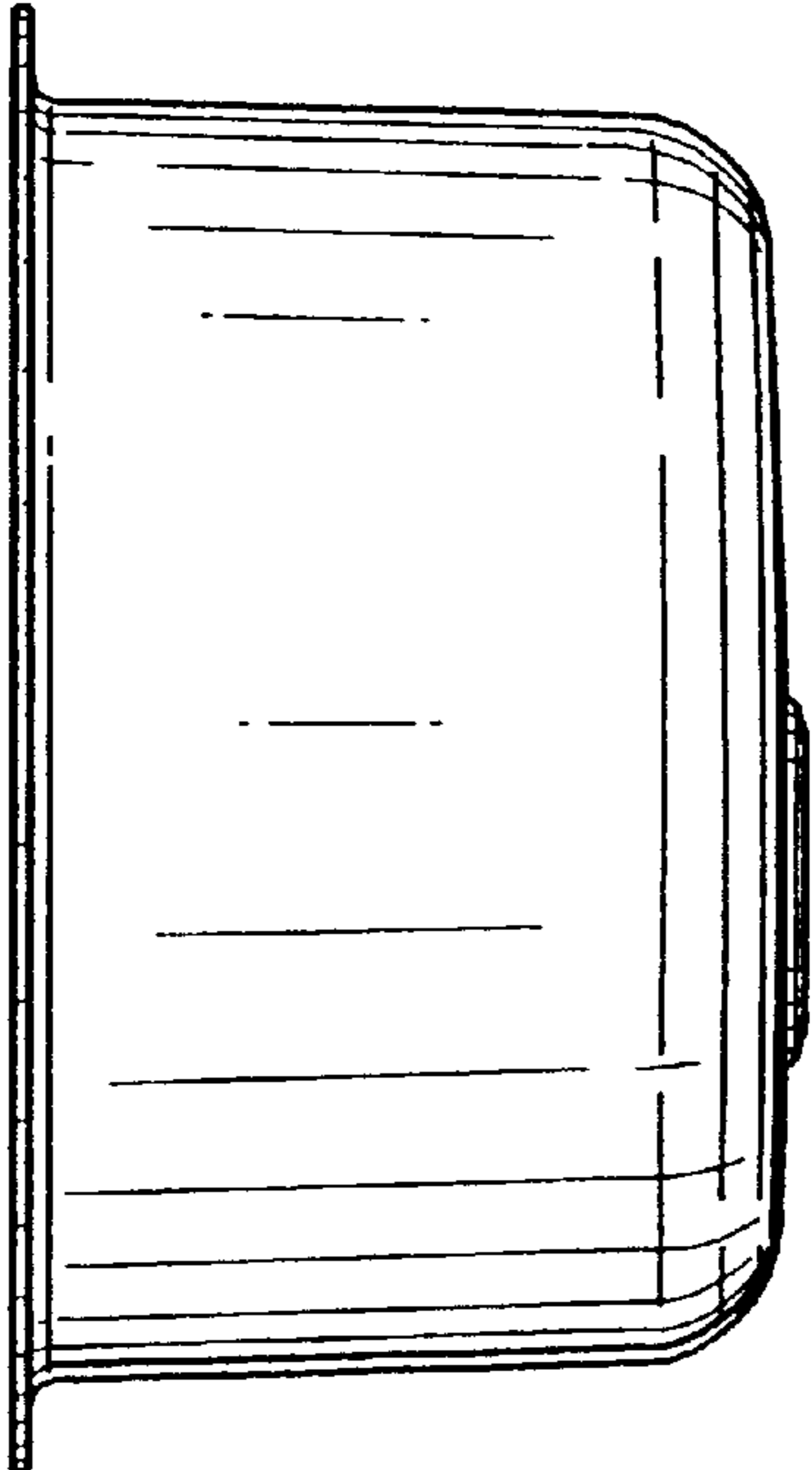


FIG. 21

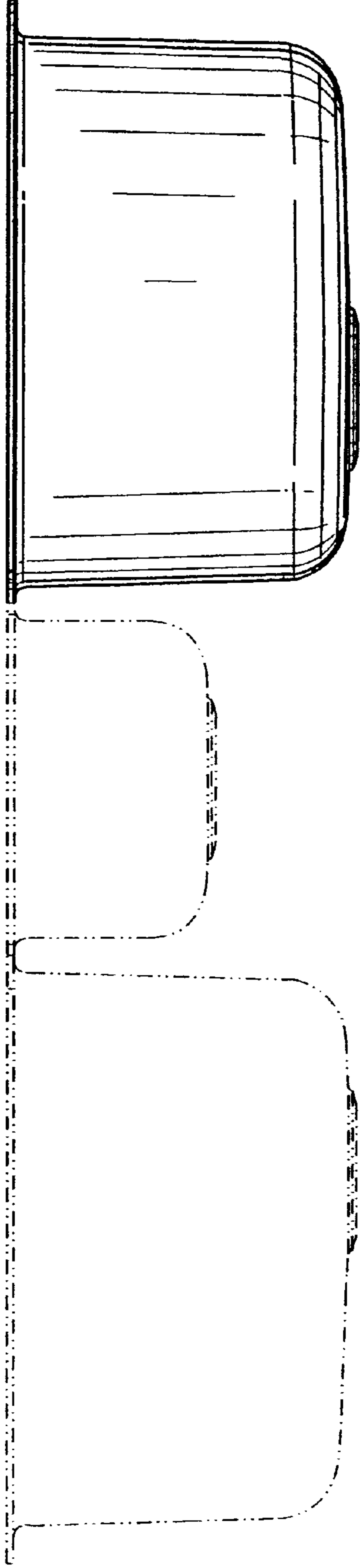


FIG. 22

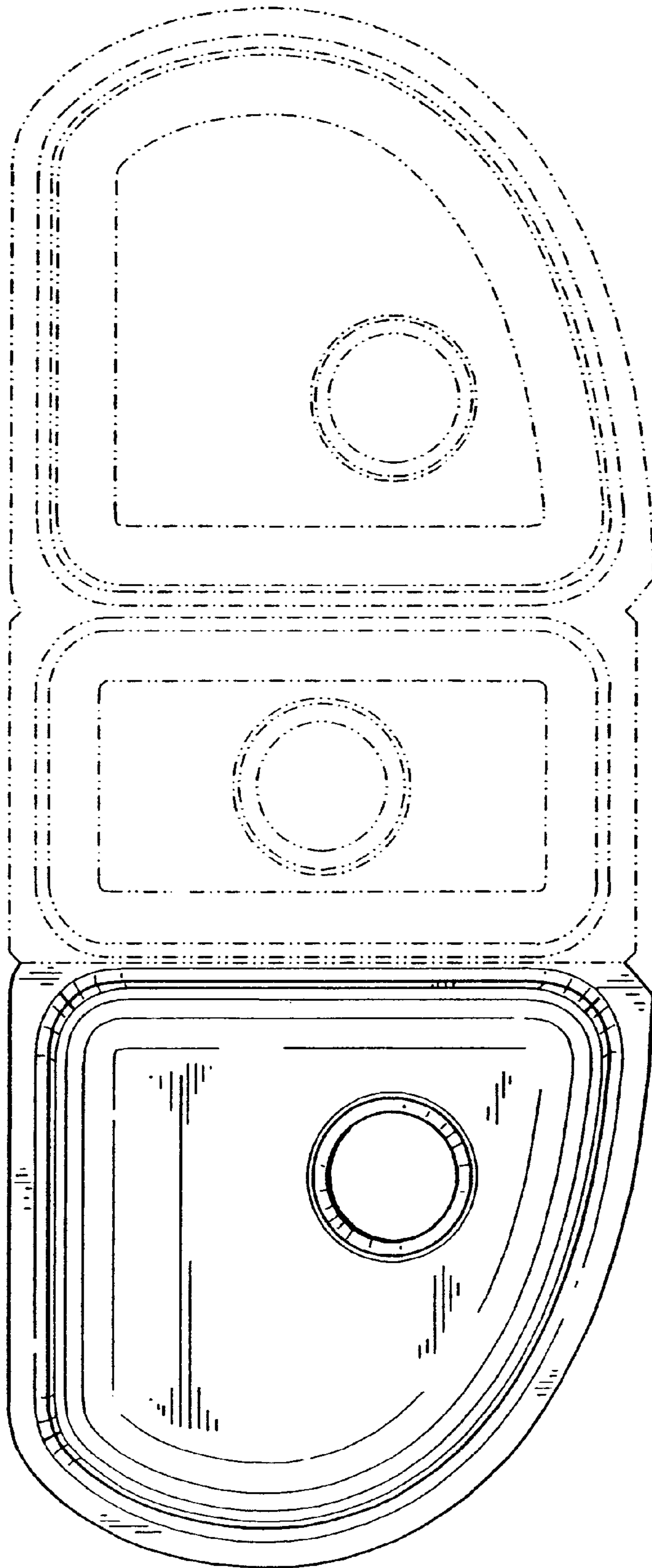
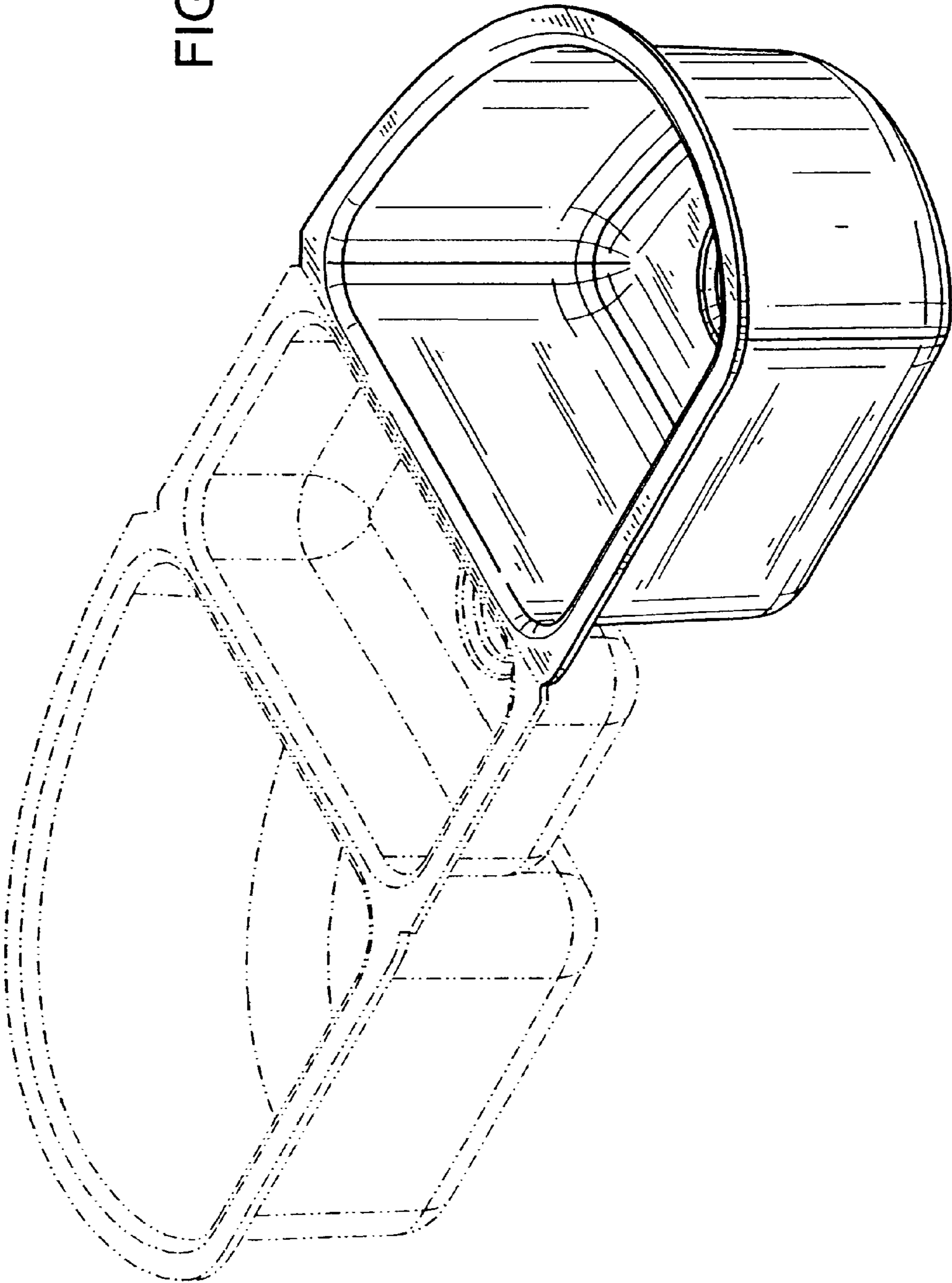


FIG. 23

FIG. 24



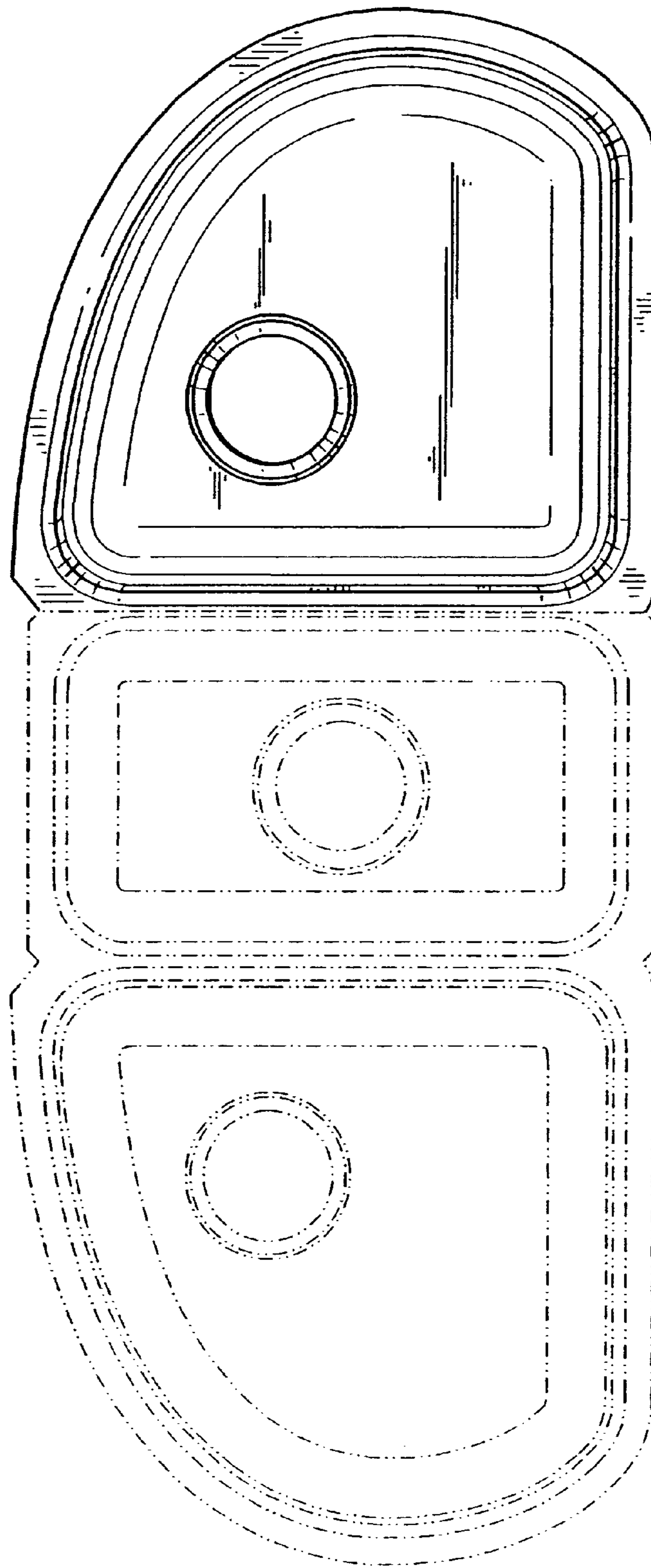


FIG. 25