



US00D510984S

(12) **United States Design Patent**  
**Matthews et al.**

(10) **Patent No.:** **US D510,984 S**  
(45) **Date of Patent:** **\*\* Oct. 25, 2005**

(54) **BATH TUB**

D253,367 S \* 11/1979 Weaver ..... D23/280.1  
5,477,568 A \* 12/1995 Wang ..... 4/592

(75) Inventors: **Joseph William Matthews,**  
**Burton-on-Trent (GB); Edward John**  
**Taylor, Shrewsbury (GB)**

\* cited by examiner

(73) Assignee: **Domotec (Europe) Limited,** Telford  
(GB)

*Primary Examiner*—Robert A. Delehanty  
(74) *Attorney, Agent, or Firm*—Harrison & Egbert

(\*\*) Term: **14 Years**

(57) **CLAIM**

(21) Appl. No.: **29/203,256**

We claim the ornamental design for a bath tub, as shown and described.

(22) Filed: **Apr. 12, 2004**

**DESCRIPTION**

(30) **Foreign Application Priority Data**

Oct. 24, 2003 (EM) ..... 000091947

FIG. 1 is an upper perspective view of the bath tub showing my design.

(51) **LOC (8) Cl.** ..... **23-02**

FIG. 2 is a top plan view thereof;

(52) **U.S. Cl.** ..... **D23/280.1**

FIG. 3 is a back view thereof;

(58) **Field of Search** ..... D23/270, 273,  
D23/275-277, 280.1-280.4, 303, 304; 4/538-539,  
541.1, 553, 584, 663, 592; D24/204-205

FIG. 4 is a front view thereof; and,

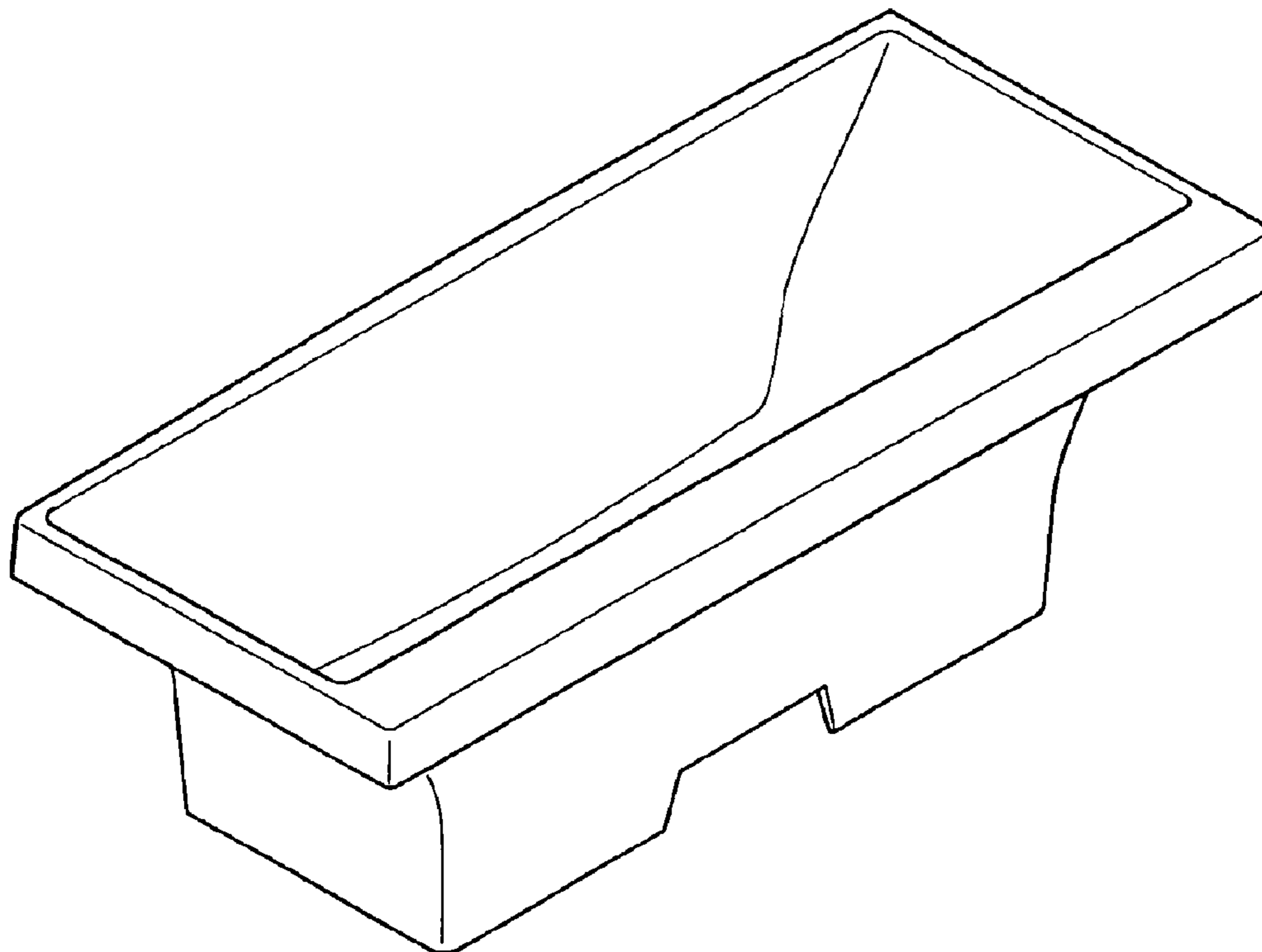
FIG. 5 is a side view thereof, an opposite side view being a mirror image thereof.

(56) **References Cited**

**U.S. PATENT DOCUMENTS**

D250,828 S \* 1/1979 Clement ..... D23/280.1

**1 Claim, 3 Drawing Sheets**



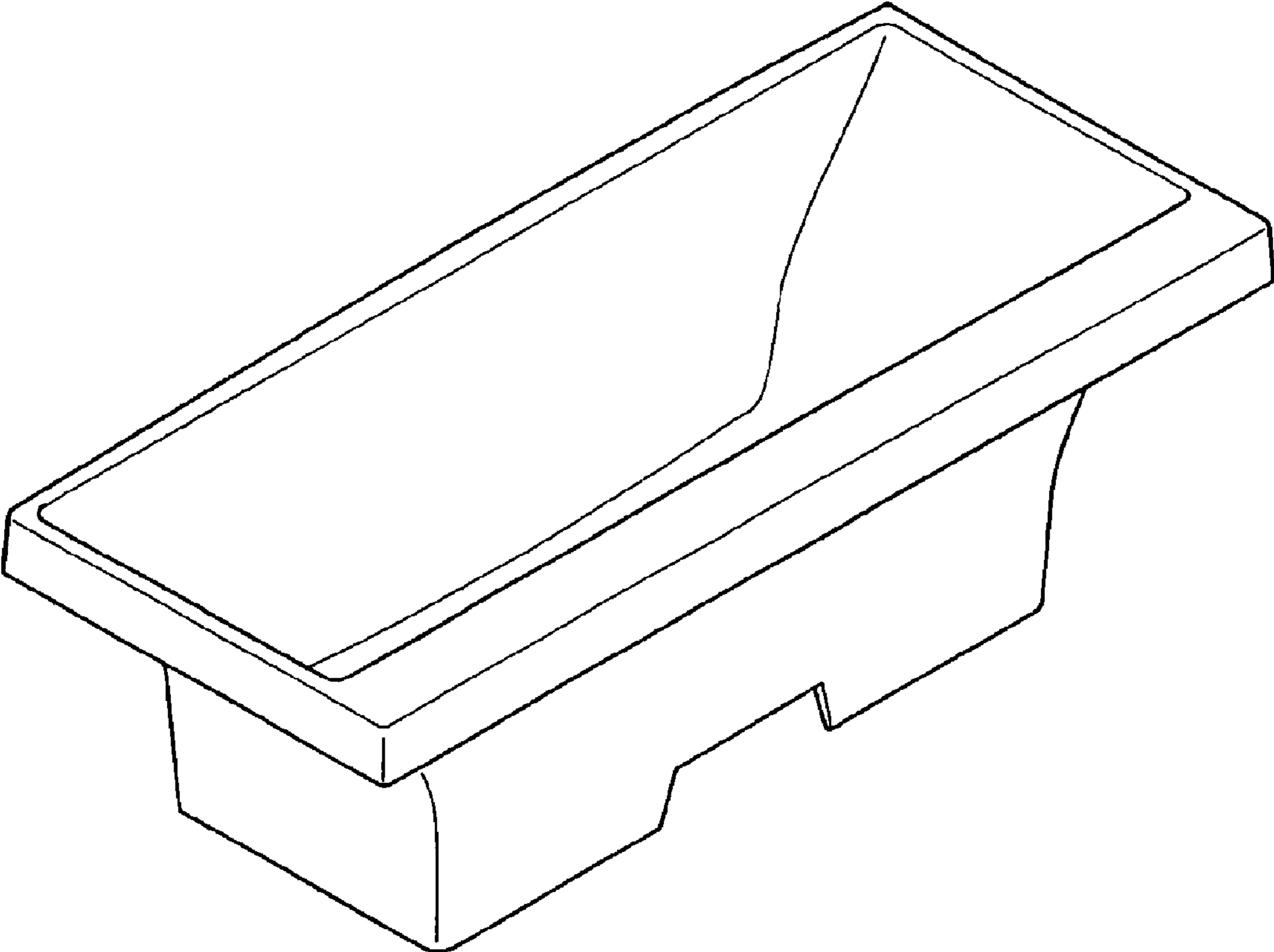


FIGURE 1

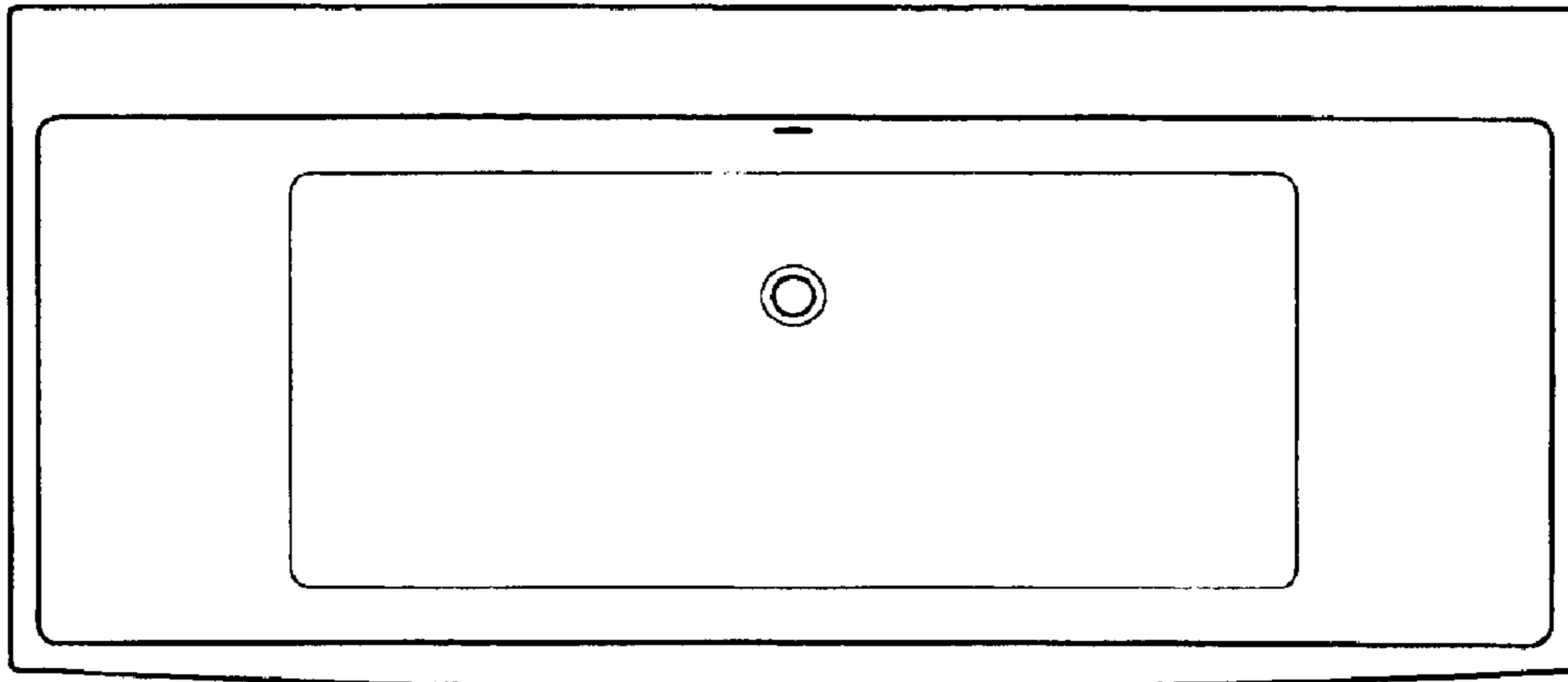


FIGURE 2

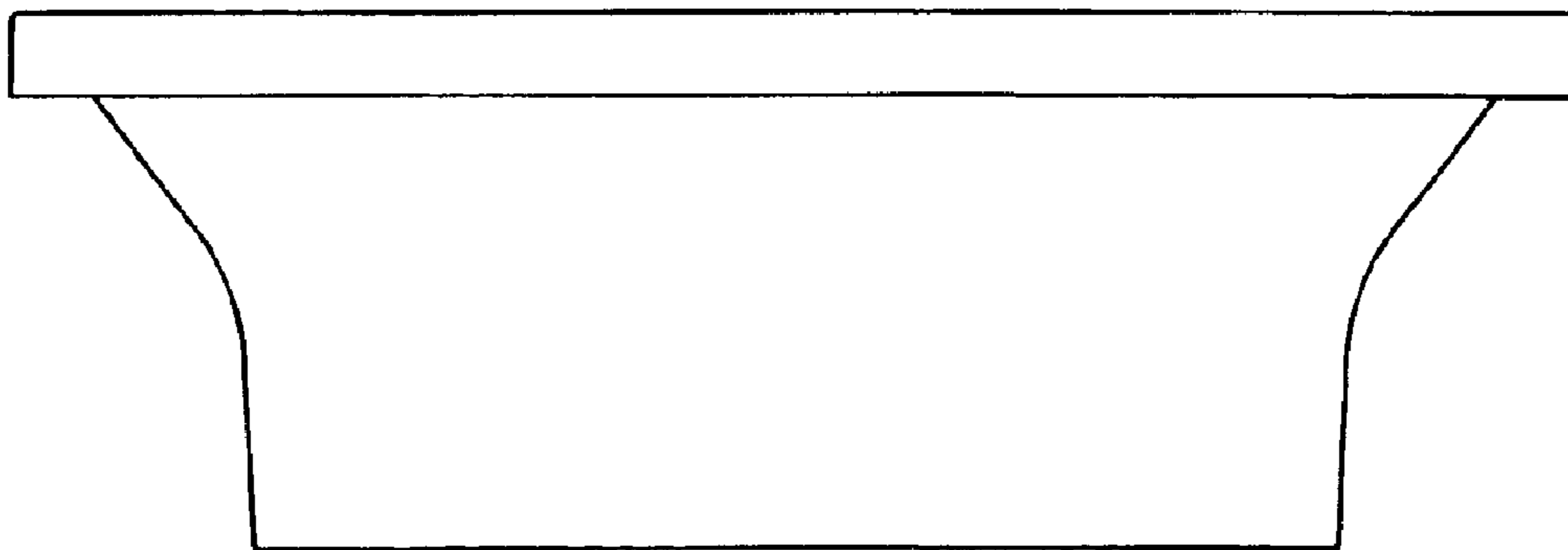


FIGURE 3

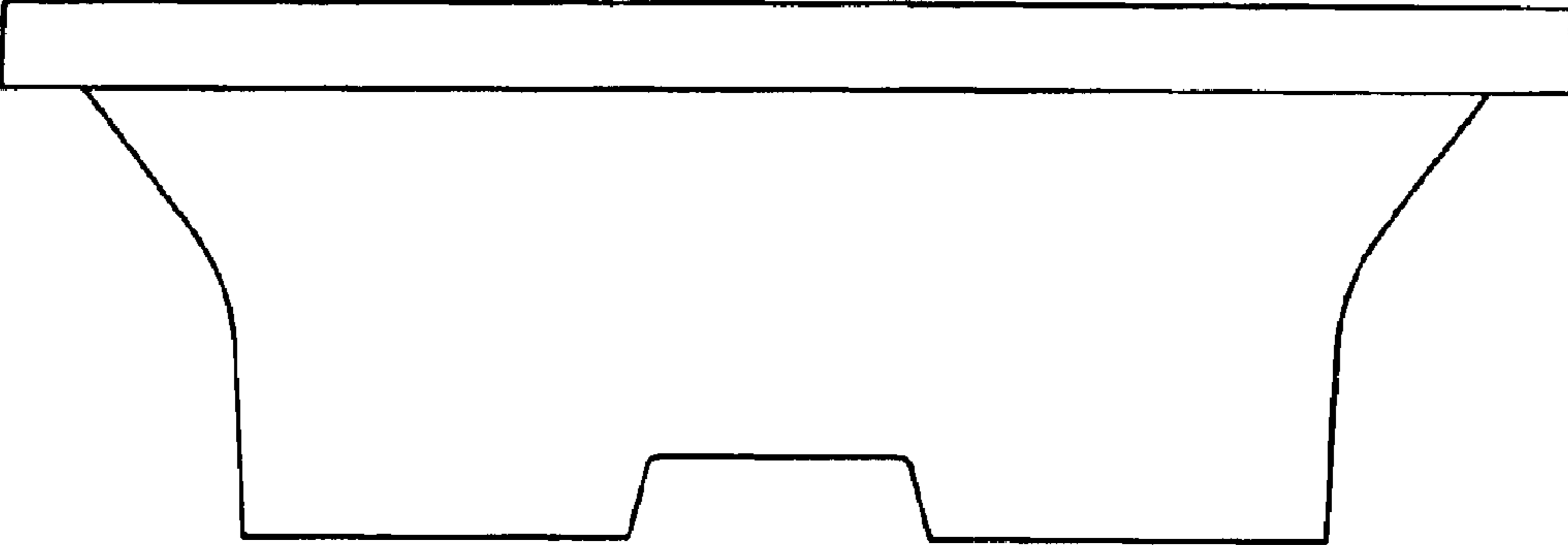


FIGURE 4

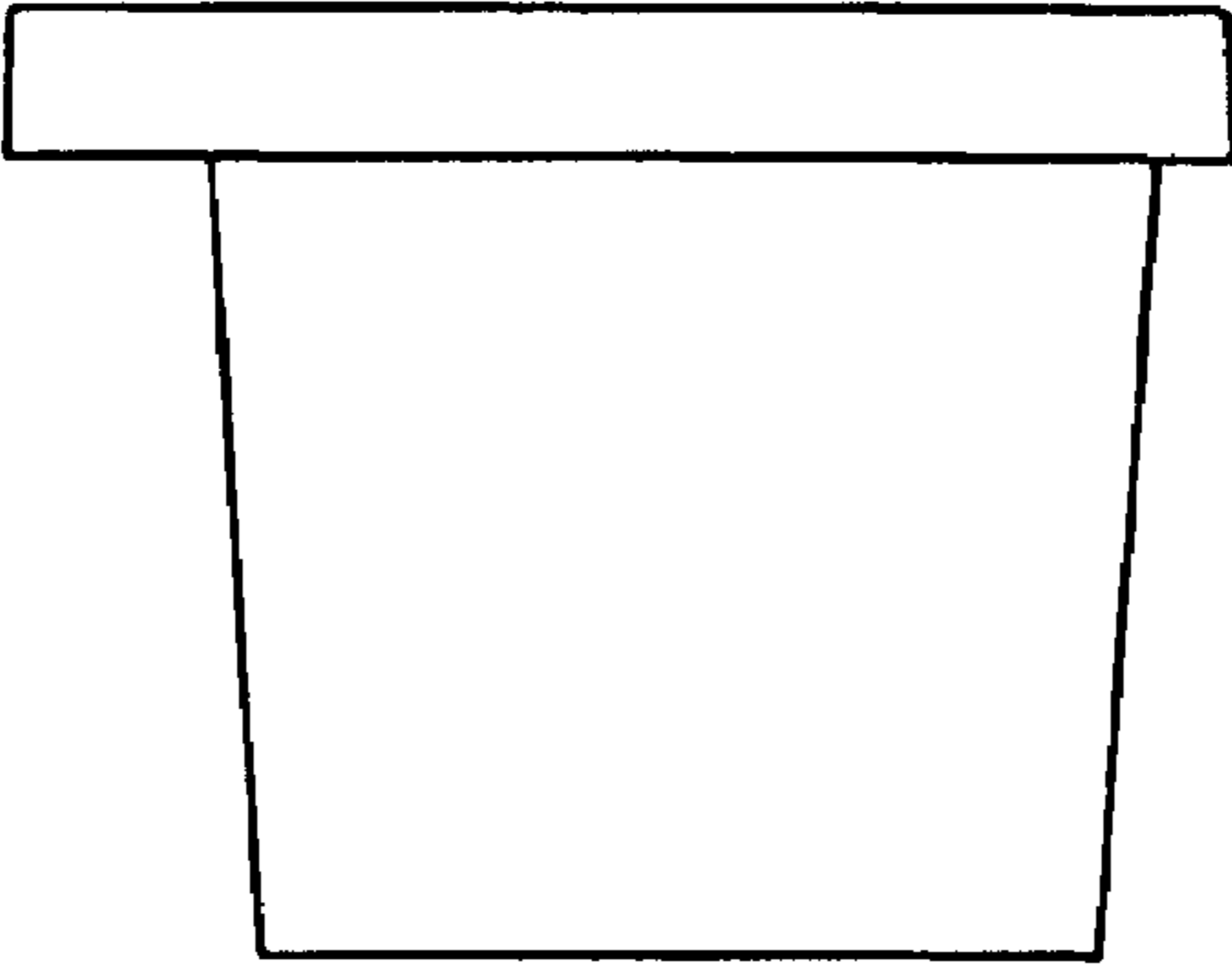


FIGURE 5