

US00D510982S

(12) **United States Design Patent**
Paini

(10) **Patent No.:** **US D510,982 S**

(45) **Date of Patent:** **** Oct. 25, 2005**

(54) **TAP**

(75) **Inventor:** **Marco Paini, Pugno-Novara (IT)**

(73) **Assignee:** **Paini S.p.A., Novara (IT)**

(**) **Term:** **14 Years**

(21) **Appl. No.:** **29/198,433**

(22) **Filed:** **Jan. 30, 2004**

(30) **Foreign Application Priority Data**

Aug. 1, 2003 (IT) MI2003O00351
Sep. 12, 2003 (IT) MI2003O000364

(51) **LOC (8) Cl.** **23-01**

(52) **U.S. Cl.** **D23/241; D23/242; D23/255**

(58) **Field of Search** **D23/238-257;**
4/675-678; 137/801

(56) **References Cited**

U.S. PATENT DOCUMENTS

D106,319 S * 10/1937 Morgan D23/243

D265,229 S * 6/1982 Paul D23/242
D442,262 S * 5/2001 Kuhlman D23/241
D468,410 S * 1/2003 Hundley D23/255
D479,583 S * 9/2003 Citterio D23/242
D503,217 S * 3/2005 Aubry et al. D23/255

* cited by examiner

Primary Examiner—Louis S. Zarfes

Assistant Examiner—Gregory Andoll

(74) *Attorney, Agent, or Firm*—Hogan & Hartson L.L.P.

(57) **CLAIM**

The ornamental design for a tap, as shown and described.

DESCRIPTION

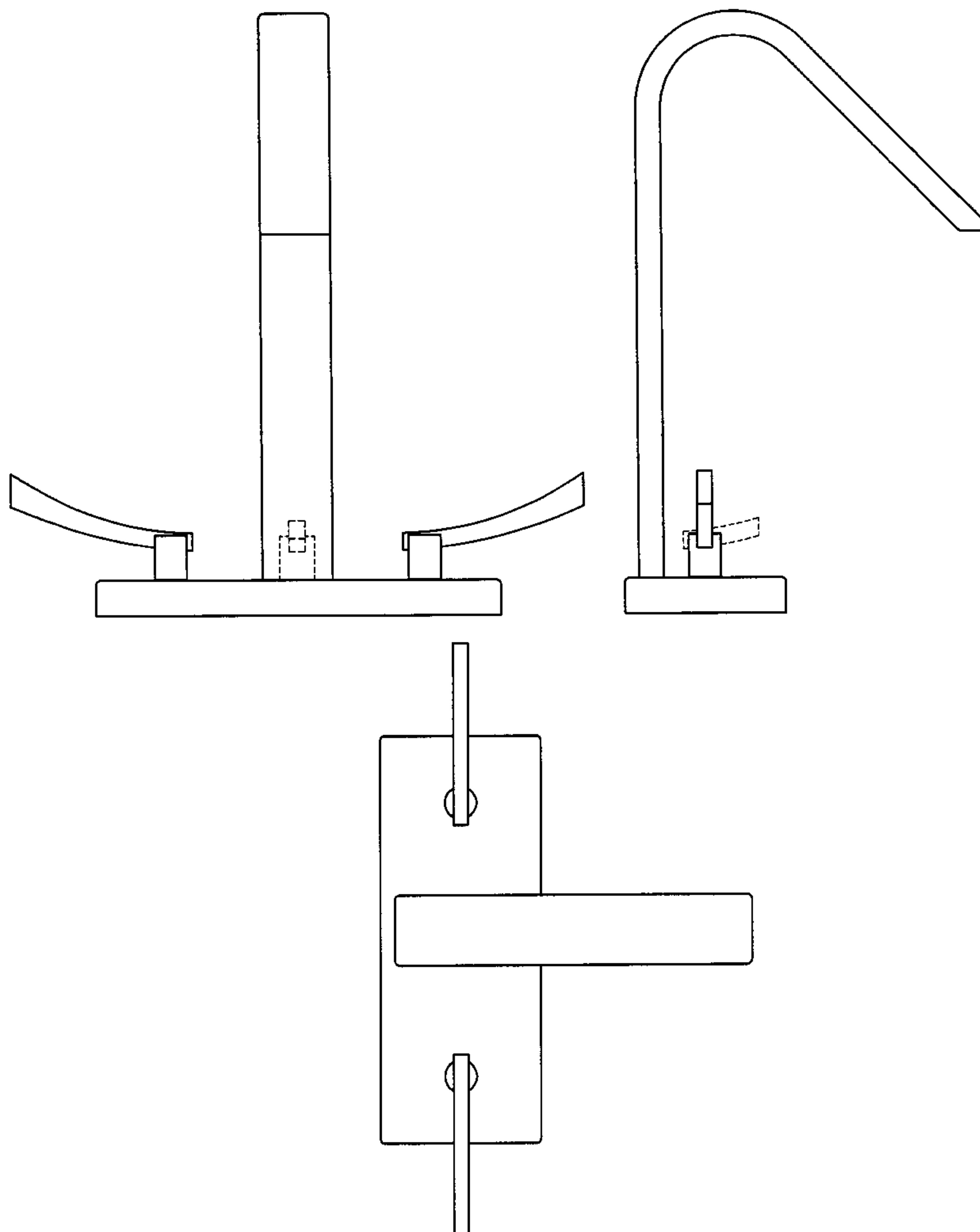
FIG. 1 is a front view of the tap;

FIG. 2 is a side view of the tap; and,

FIG. 3 is a top view of the tap.

The broken lines in the Figures are for illustrative purposes only and form no part of the claimed design.

1 Claim, 2 Drawing Sheets



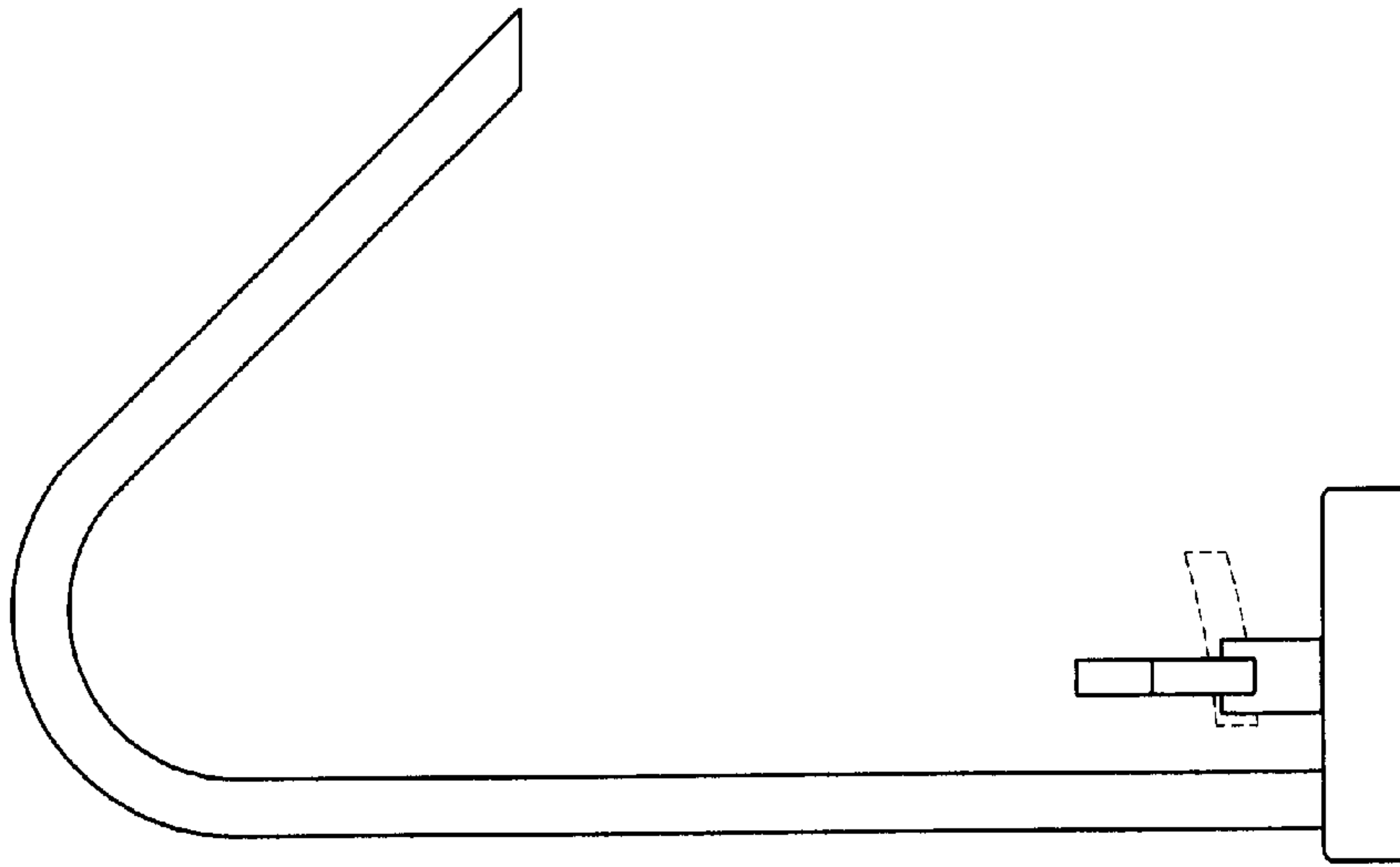


Fig. 2

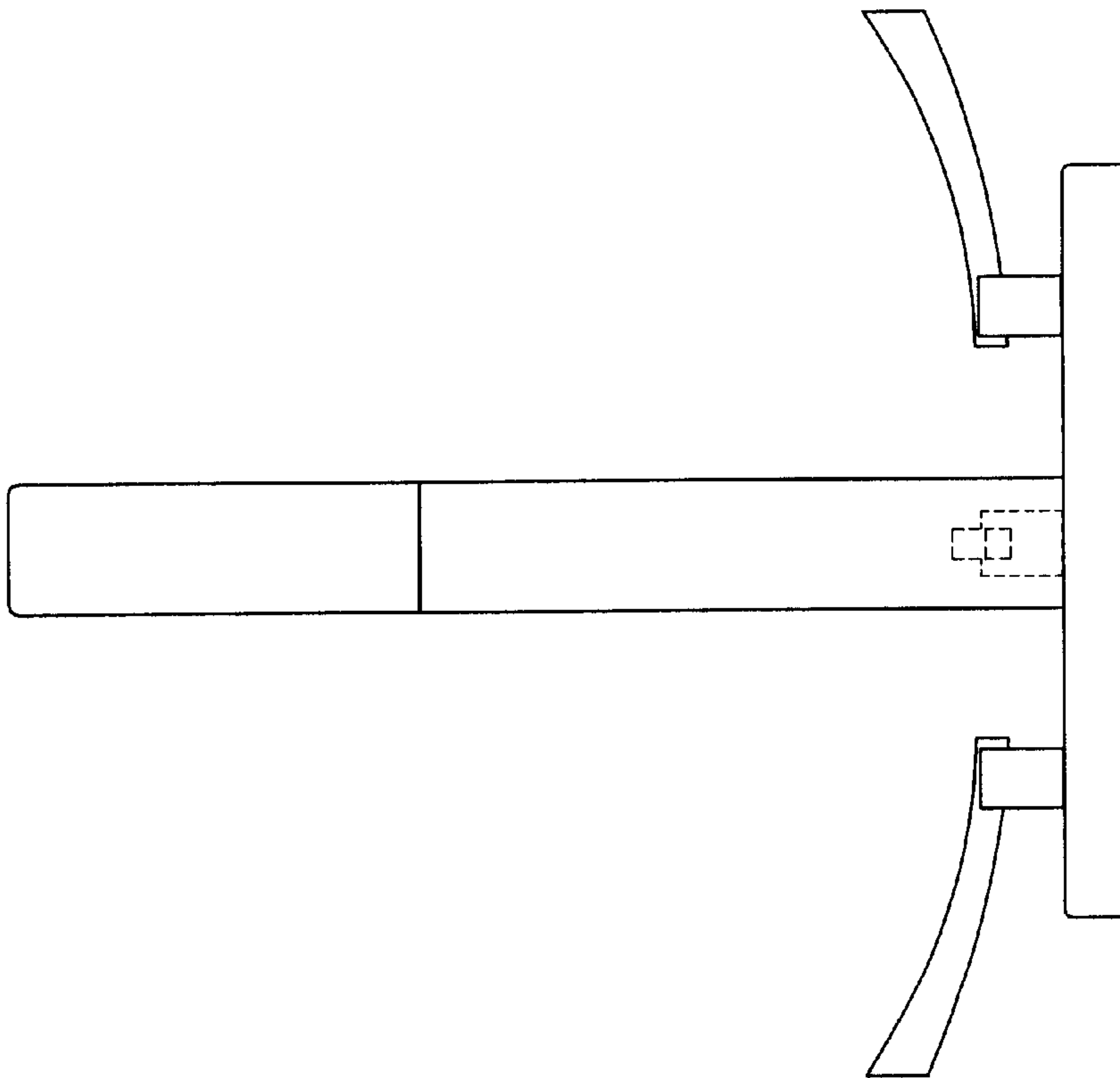


Fig. 1

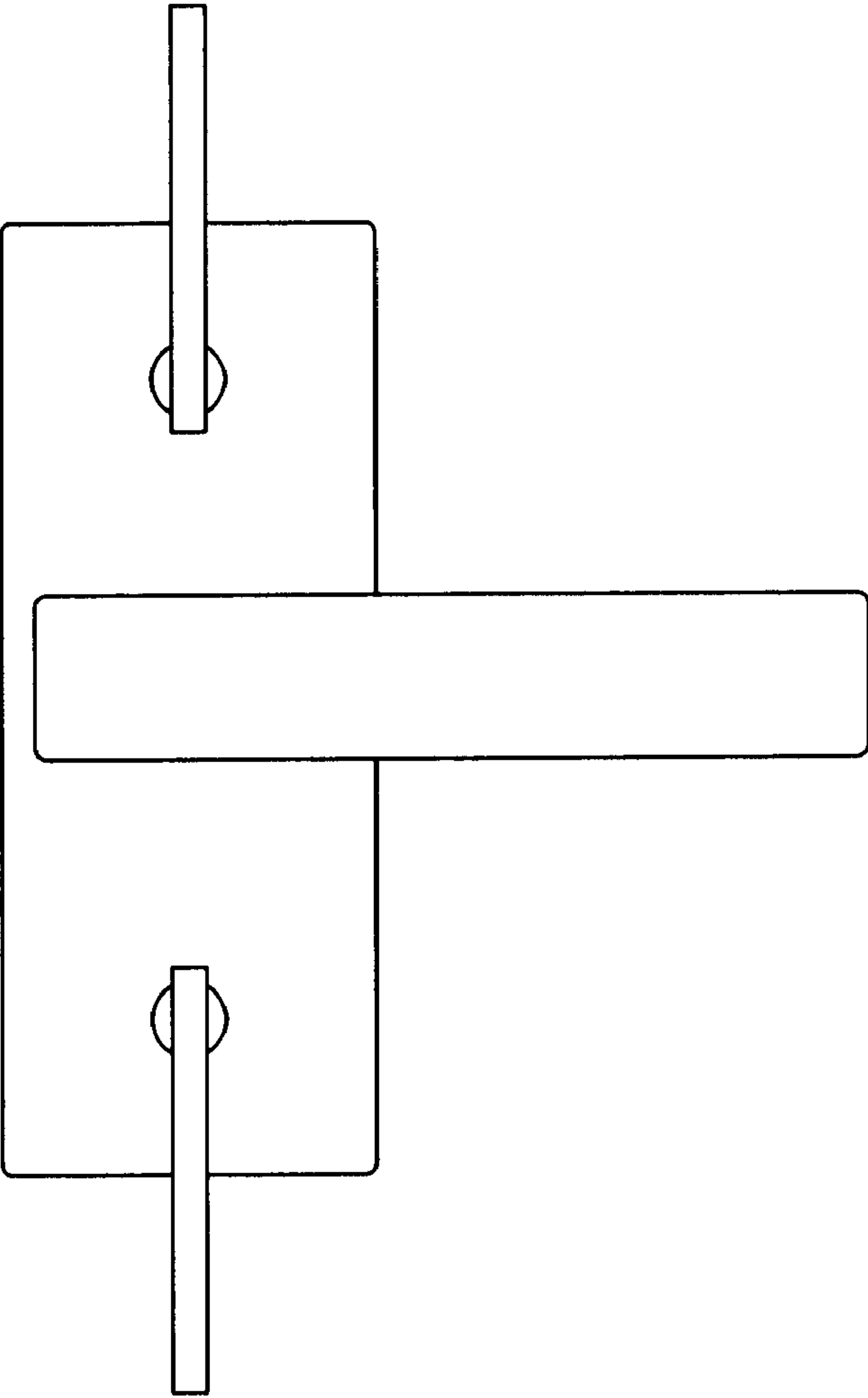


Fig. 3

UNITED STATES PATENT AND TRADEMARK OFFICE
CERTIFICATE OF CORRECTION

PATENT NO. : Des. 510,982 S
APPLICATION NO. : 29/198433
DATED : January 30, 2004
INVENTOR(S) : Marco Paini

Page 1 of 1

It is certified that error appears in the above-identified patent and that said Letters Patent is hereby corrected as shown below:

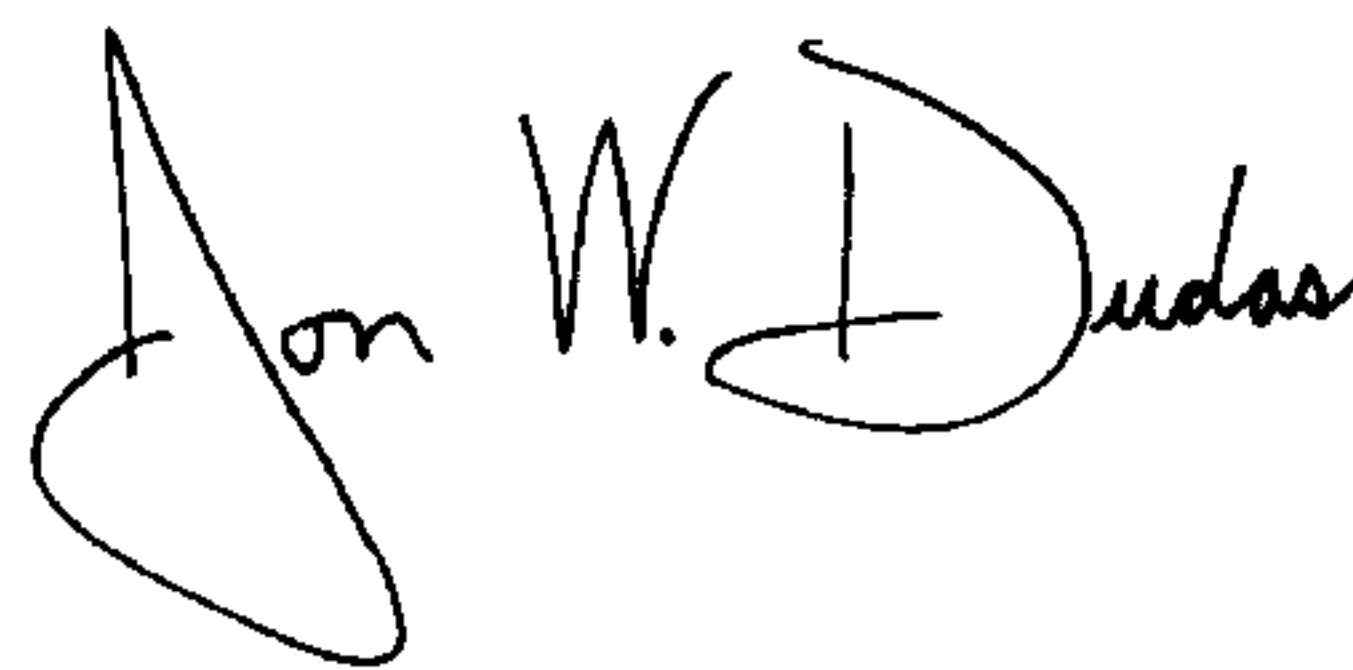
Title page, item 73:

Please change the Assignee's name to read as follows:

--PAINI SPA RUBINETTERIE--

Signed and Sealed this

Twenty-fifth Day of December, 2007

A handwritten signature in black ink that reads "Jon W. Dudas". The signature is written in a cursive style with a large, looped initial "J".

JON W. DUDAS

Director of the United States Patent and Trademark Office

UNITED STATES PATENT AND TRADEMARK OFFICE
CERTIFICATE OF CORRECTION

PATENT NO. : Des. 510,982 S
APPLICATION NO. : 29/198433
DATED : October 25, 2005
INVENTOR(S) : Marco Paini

Page 1 of 1

It is certified that error appears in the above-identified patent and that said Letters Patent is hereby corrected as shown below:

Title page, item 73:

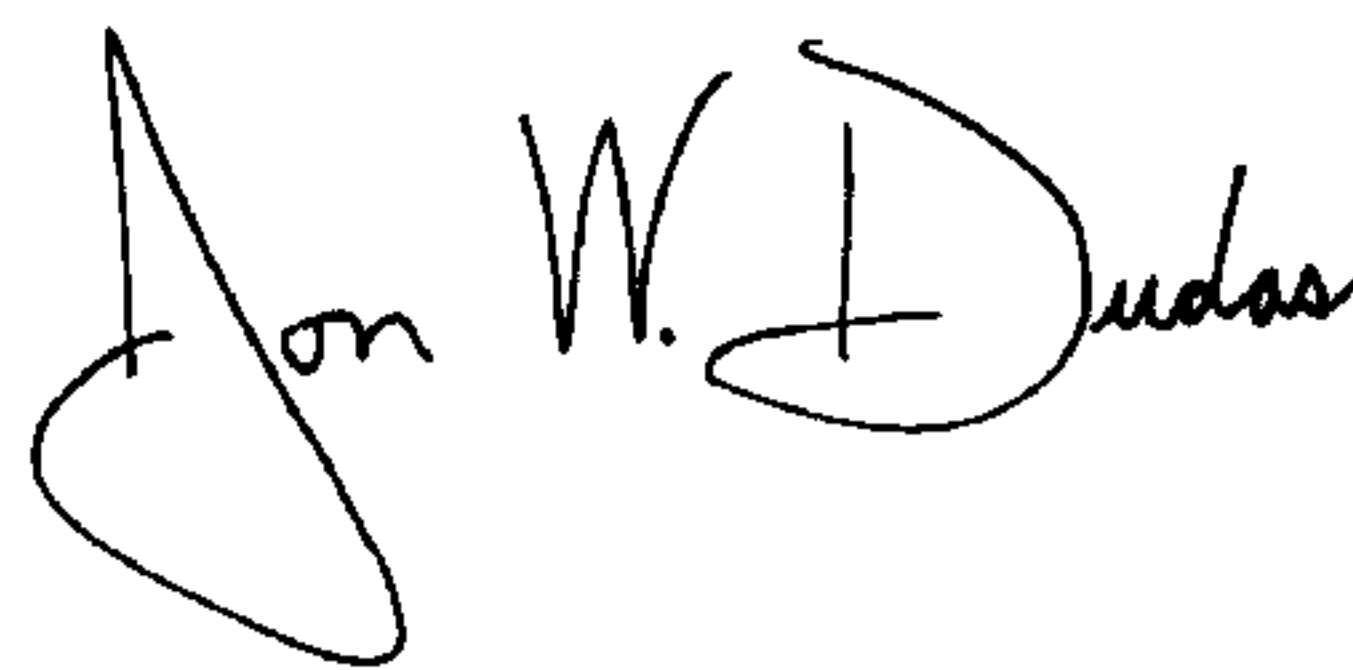
Please change the Assignee's name to read as follows:

--PAINI SPA RUBINETTERIE--

This certificate supersedes the Certificate of Correction issued December 25, 2007.

Signed and Sealed this

Twenty-ninth Day of January, 2008

A handwritten signature in black ink that reads "Jon W. Dudas". The signature is written in a cursive style with a large, looped initial "J".

JON W. DUDAS

Director of the United States Patent and Trademark Office