



US00D510980S

(12) **United States Design Patent**
Fritz

(10) **Patent No.:** **US D510,980 S**

(45) **Date of Patent:** **** Oct. 25, 2005**

(54) **FAUCET**

(75) **Inventor:** **Seth A. Fritz**, Kendallville, IN (US)

(73) **Assignee:** **Masco Corporation of Indiana**,
Indianapolis, IN (US)

(**) **Term:** **14 Years**

(21) **Appl. No.:** **29/191,166**

(22) **Filed:** **Oct. 2, 2003**

(51) **LOC (8) Cl.** **23-01**

(52) **U.S. Cl.** **D23/241; D23/242**

(58) **Field of Search** **D23/238-257;**
4/675-678; 137/801

(56) **References Cited**

U.S. PATENT DOCUMENTS

D420,102 S	*	2/2000	Warshawsky et al.	D23/241
D466,194 S	*	11/2002	Otero et al.	D23/242
D466,590 S	*	12/2002	Otero et al.	D23/242
D467,308 S	*	12/2002	Otero et al.	D23/242

* cited by examiner

Primary Examiner—Louis S. Zarfes

Assistant Examiner—Gregory Andoll

(74) *Attorney, Agent, or Firm*—Kwadjo Adusei-Poku;
Lloyd D. Doigan

(57) **CLAIM**

The ornamental design for a faucet, as shown and described.

DESCRIPTION

FIG. 1 is a front perspective view of a faucet showing my new design;

FIG. 2 is a rear perspective view thereof;

FIG. 3 is a top plan view thereof;

FIG. 4 is a right side elevational view thereof;

FIG. 5 is a front elevational view thereof;

FIG. 6 is a rear elevational view thereof;

FIG. 7 is a left side elevational view thereof; and,

FIG. 8 is a bottom plan view thereof.

The broken lines in the Figures are for illustrative purposes only and form no part of the claimed design.

1 Claim, 8 Drawing Sheets

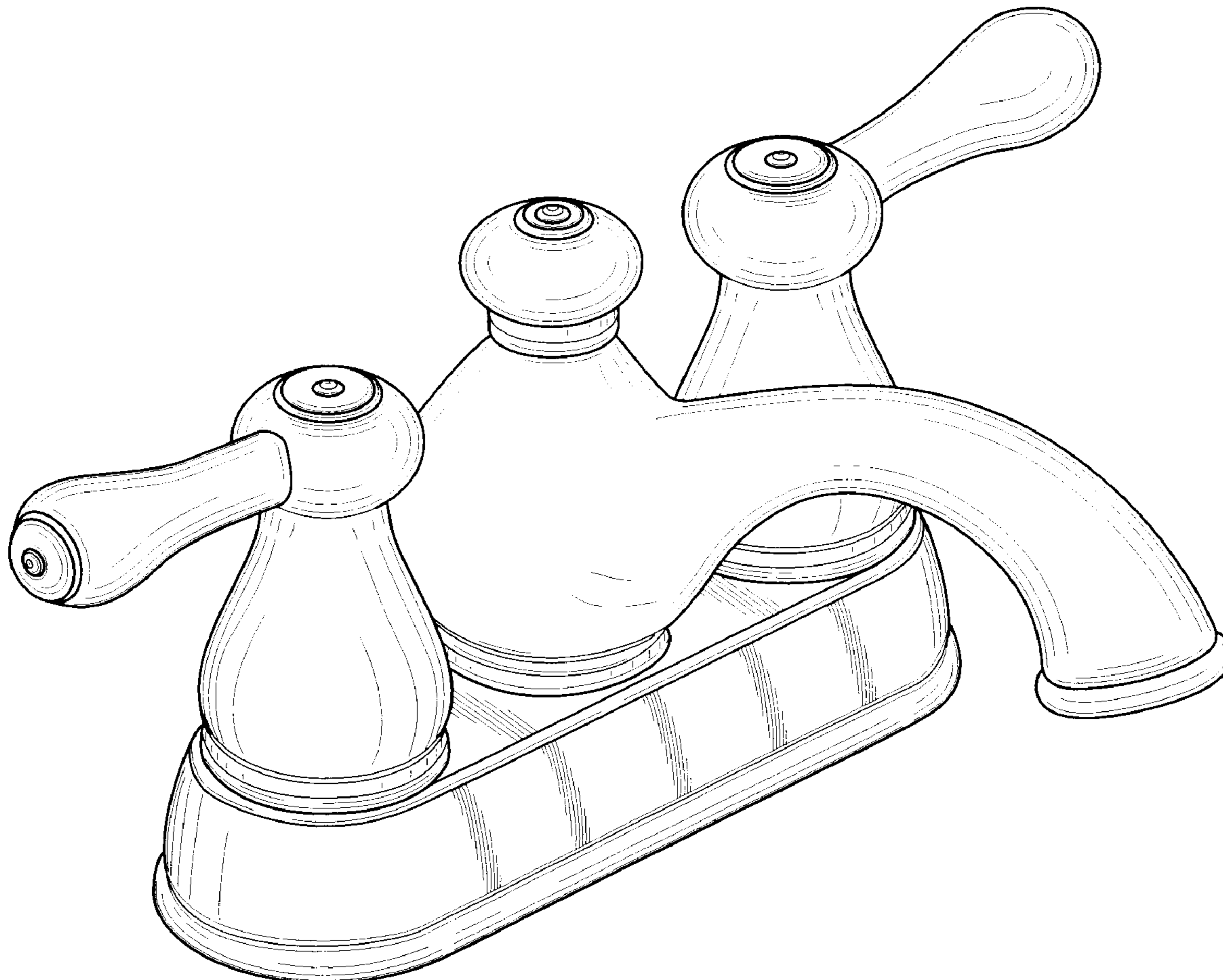
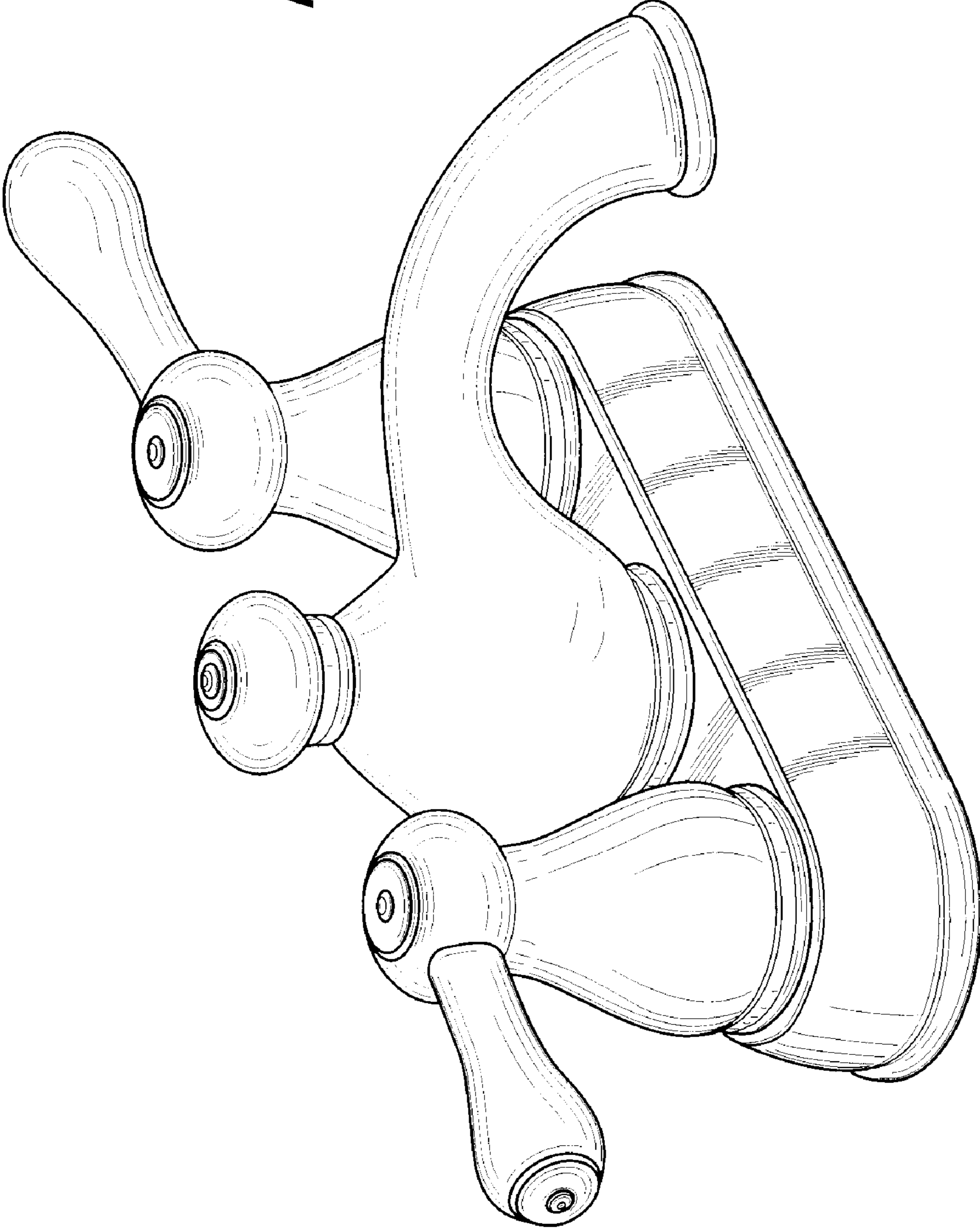


FIG-1



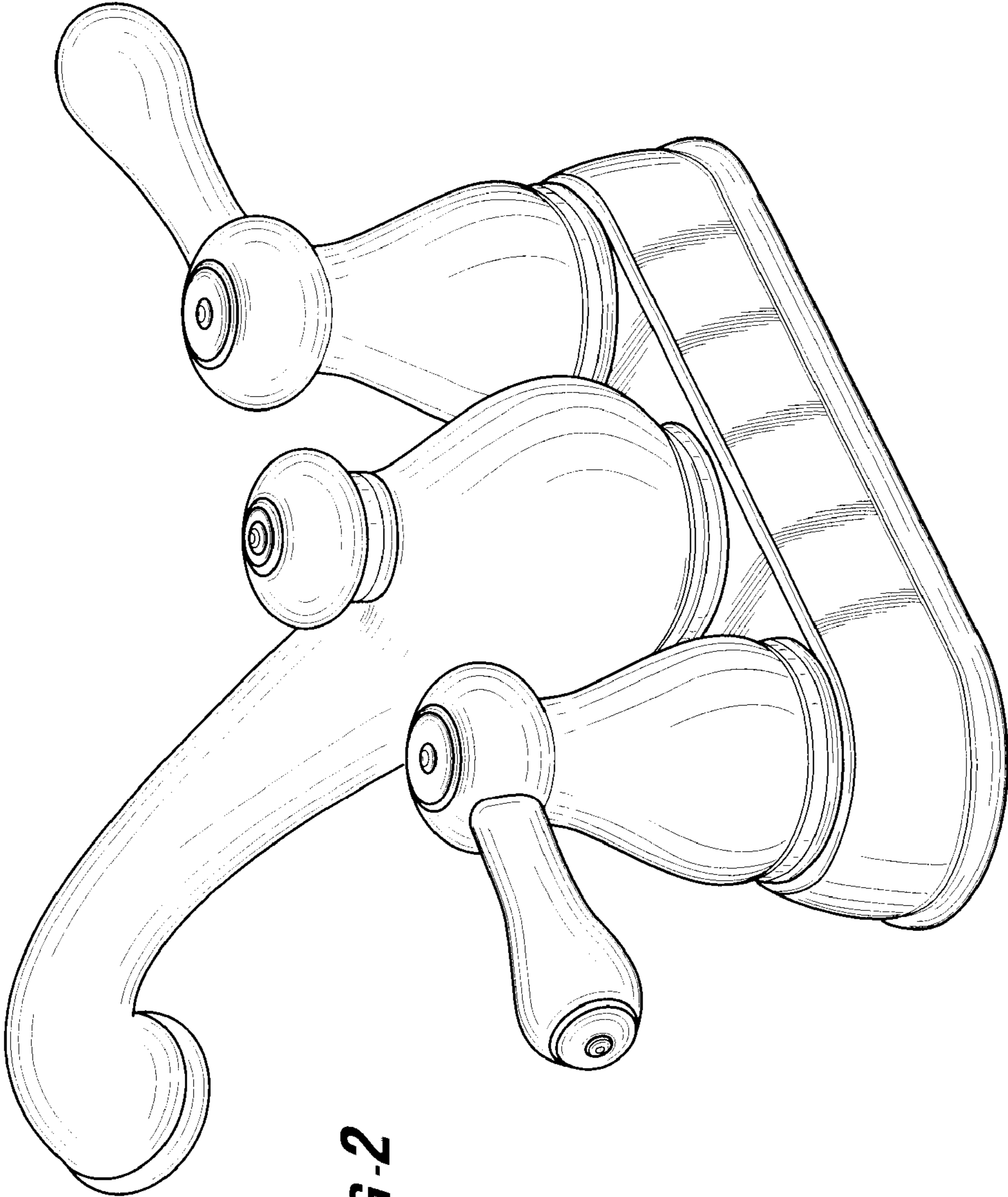


FIG-2

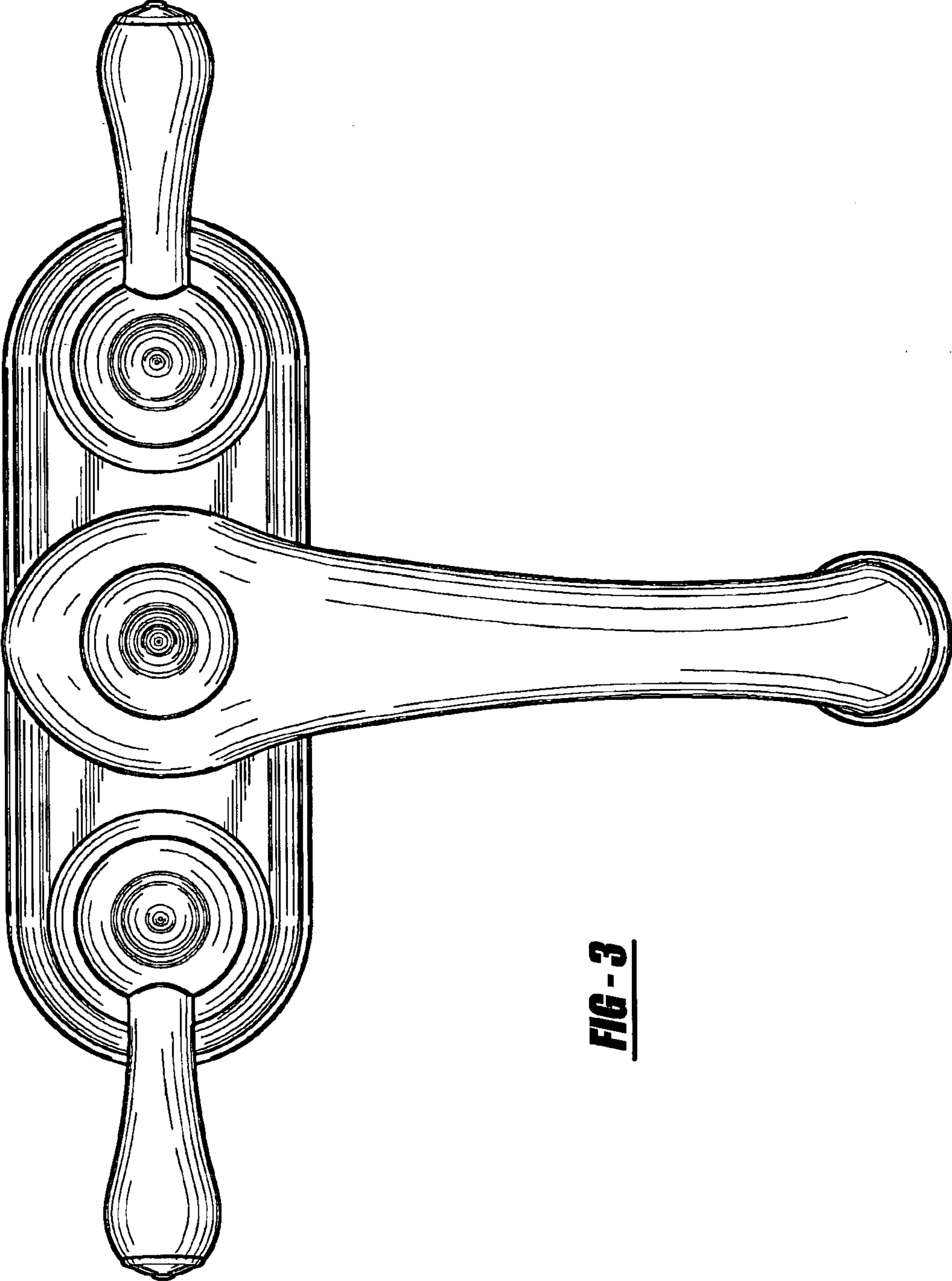


FIG - 3

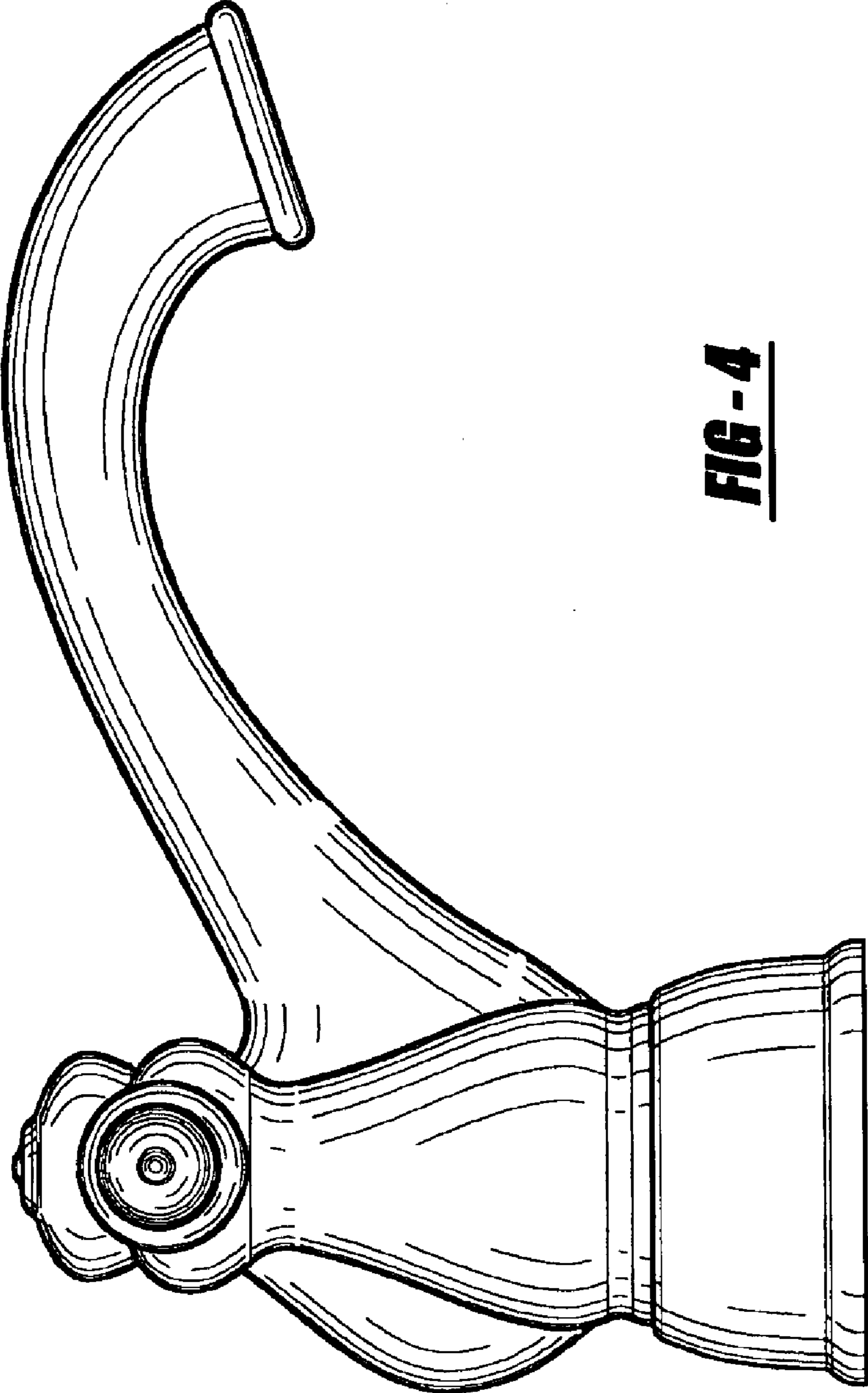


FIG - 4

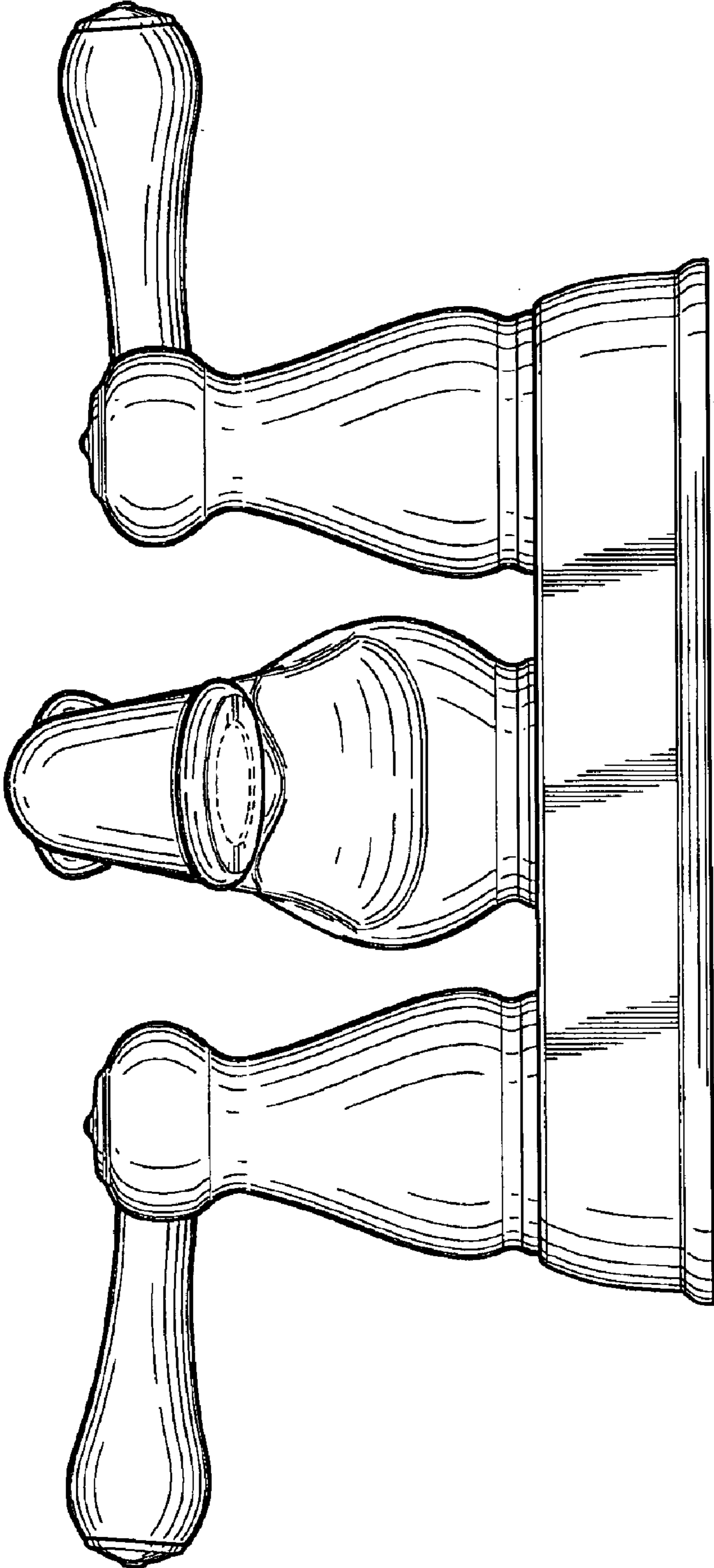


FIG - 5

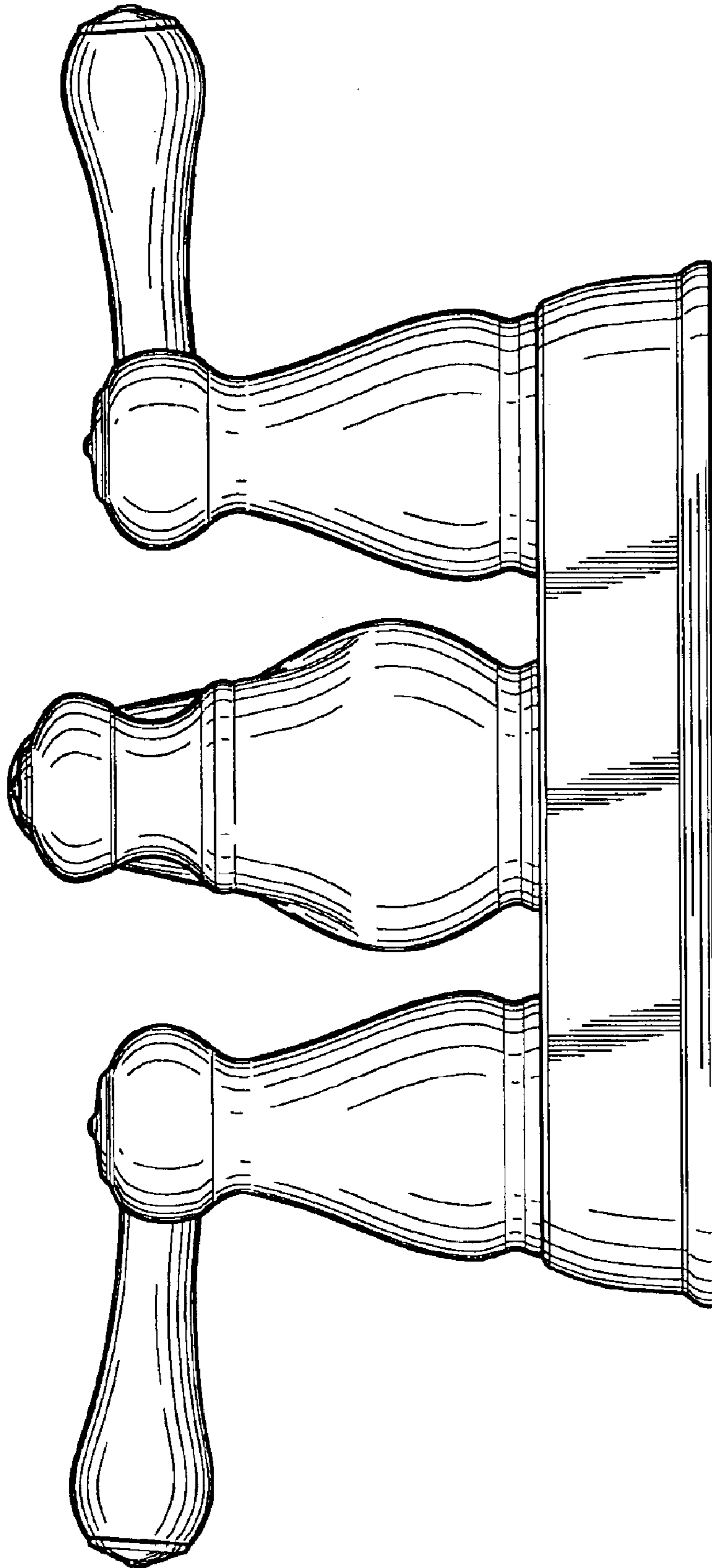


FIG - 6

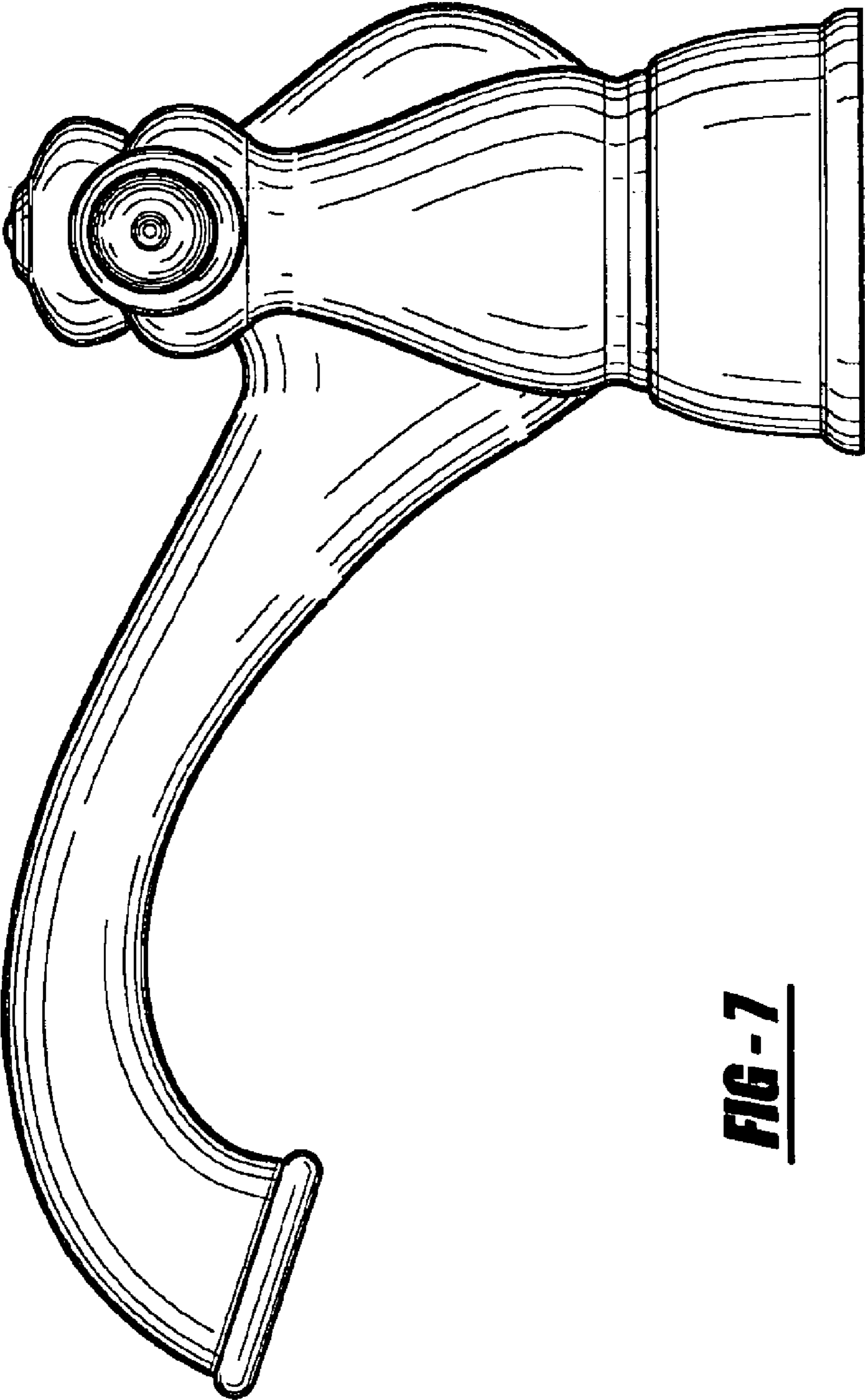


FIG-7

FIG - 8

