

US00D510979S

(12) **United States Design Patent** (10) **Patent No.:** **US D510,979 S**  
**Kulig** (45) **Date of Patent:** **\*\* Oct. 25, 2005**

(54) **FAUCET**

(75) Inventor: **Zbigniew Kulig**, Wadsworth, IL (US)

(73) Assignee: **Graff Faucets**, Milwaukee, WI (US)

(\*\*) Term: **14 Years**

(21) Appl. No.: **29/210,960**

(22) Filed: **Aug. 9, 2004**

(51) **LOC (8) Cl.** ..... **23-01**

(52) **U.S. Cl.** ..... **D23/238**

(58) **Field of Search** ..... **D23/238-257;**  
4/675-678; 137/801

(56) **References Cited**

**U.S. PATENT DOCUMENTS**

D349,326 S	8/1994	Bollenbacher	
D387,130 S	* 12/1997	Warshawsky	..... D23/238
D417,490 S	* 12/1999	Formgren	..... D23/255
D465,834 S	11/2002	Singtoroj	
D469,158 S	1/2003	Bouilloux et al.	
D470,917 S	* 2/2003	Friedrich	..... D23/238
D472,607 S	4/2003	Warshawsky et al.	
D473,929 S	4/2003	Warshawsky et al.	
D474,834 S	5/2003	Czerwinski, Jr. et al.	
D478,153 S	8/2003	Friedrich	
D489,795 S	* 5/2004	Kulig et al.	..... D23/238

**OTHER PUBLICATIONS**

Kulig, Zbigniew, U.S. Appl. No. 29/200,362, filed Feb. 26, 2004.\*

Kulig, Zbigniew, U.S. Appl. No. 29/200,374, filed Feb. 26, 2004.\*

Kulig, Zbigniew, U.S. Appl. No. 29/200,372, filed Feb. 26, 2004.\*

Kulig, Zbigniew, U.S. Appl. No. 29/200,370, filed Feb. 26, 2004.\*

Kulig, Zbigniew et. al., U.S. Appl. No. 29/200,367, filed Feb. 26, 2004.\*

Kulig, Zbigniew et. al., U.S. Appl. No. 29/200,363, filed Feb. 26, 2004.\*

Kulig, Zbigniew et. al., U.S. Appl. No. 29/200,364, filed Feb. 26, 2004.\*

Kulig, Zbigniew et. al., U.S. Appl. No. 29/200,375, filed Feb. 26, 2004.\*

Kulig, Zbigniew et. al., U.S. Appl. No. 29/200,361, filed Feb. 26, 2004.\*

Kulig, Zbigniew et. al., U.S. Appl. No. 29/200,369, filed Feb. 26, 2004.\*

Kulig, Zbigniew et. al., U.S. Appl. No. 29/200,368, filed Feb. 26, 2004.\*

Kulig, Zbigniew, U.S. Appl. No. 29/200,371, filed Feb. 26, 2004.\*

Kulig, Zbigniew, U.S. Appl. No. 29/200,366, filed Feb. 26, 2004.\*

Kulig, Zbigniew et. al., U.S. Appl. No. 29/200,373, filed Feb. 26, 2004.\*

Kulig, Zbigniew, U.S. Appl. No. 29/200,365, filed Feb. 26, 2004.\*

(Continued)

*Primary Examiner*—Louis S. Zarfaz

*Assistant Examiner*—Gregory Andoll

(74) *Attorney, Agent, or Firm*—Boyle Fredrickson Newholm Stein & Gratz S.C.

(57) **CLAIM**

The ornamental design for a faucet, as shown and described.

**DESCRIPTION**

FIG. 1 is perspective view of a faucet incorporating our new design, viewed from in front of, above, and from the left side of the faucet;

FIG. 2 is a front elevation view thereof;

FIG. 3 is a rear elevation view thereof;

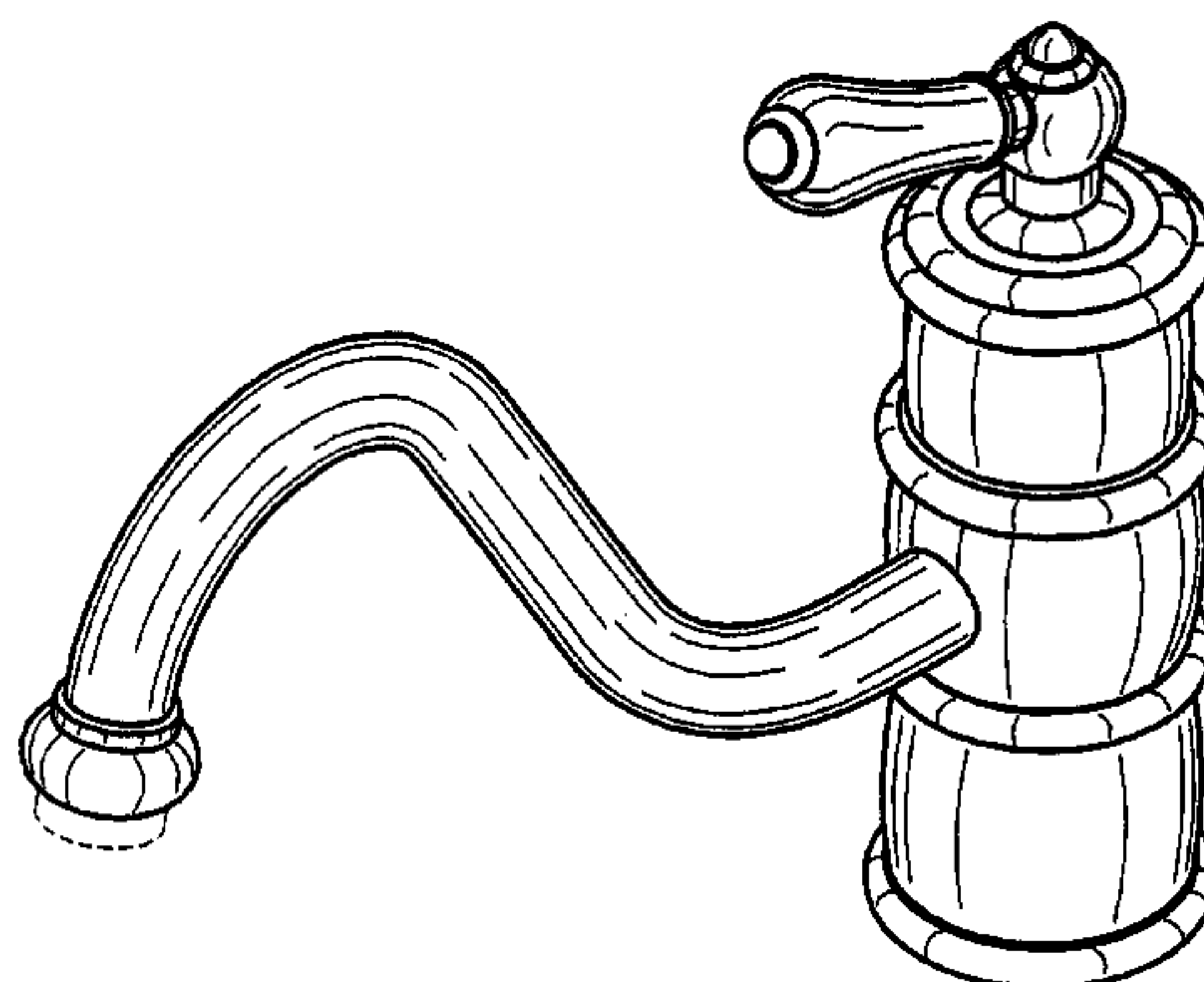
FIG. 4 is a top plan view thereof;

Fig. 5 is a bottom plan view thereof; and,

FIG. 6 is a left-side elevation view thereof, with the right side being a mirror image of the left side.

The broken lines in FIG. 5 are for illustrative purposes only and form no part of the claimed design.

**1 Claim, 6 Drawing Sheets**



OTHER PUBLICATIONS

Kulig, Zbigniew, U.S. Appl. No. 29/200,423, filed Feb. 26, 2004.\*

Kulig, Zbigniew et. al., U.S. Appl. No. 29/203,608, filed Apr. 16, 2004.\*

Kulig, Zbigniew et. al., U.S. Appl. No. 29/203,606, filed Apr. 16, 2004.\*

Kulig, Zbigniew, U.S. Appl. No. 29/206,908, filed Jun. 4, 2004.\*

Kulig, Zbigniew, U.S. Appl. No. 29/211,662, filed Aug. 19, 2004.\*

Kulig, Zbigniew, U.S. Appl. No. 29/220,253, filed Dec. 28, 2004.\*

Kulig, Zbigniew, U.S. Appl. No. 29/220,262, filed Dec. 28, 2004.\*

Kulig, Zbigniew, U.S. Appl. No. 29/220,263, filed Dec. 28, 2004.\*

Kulig, Zbigniew, U.S. Appl. No. 29/220,235, filed Dec. 28, 2004.\*

Kulig, Zbigniew, U.S. Appl. No. 29/220,197, filed Dec. 28, 2004.\*

Kulig, Zbigniew, U.S. Appl. No. 29/220,238, filed Dec. 28, 2004.\*

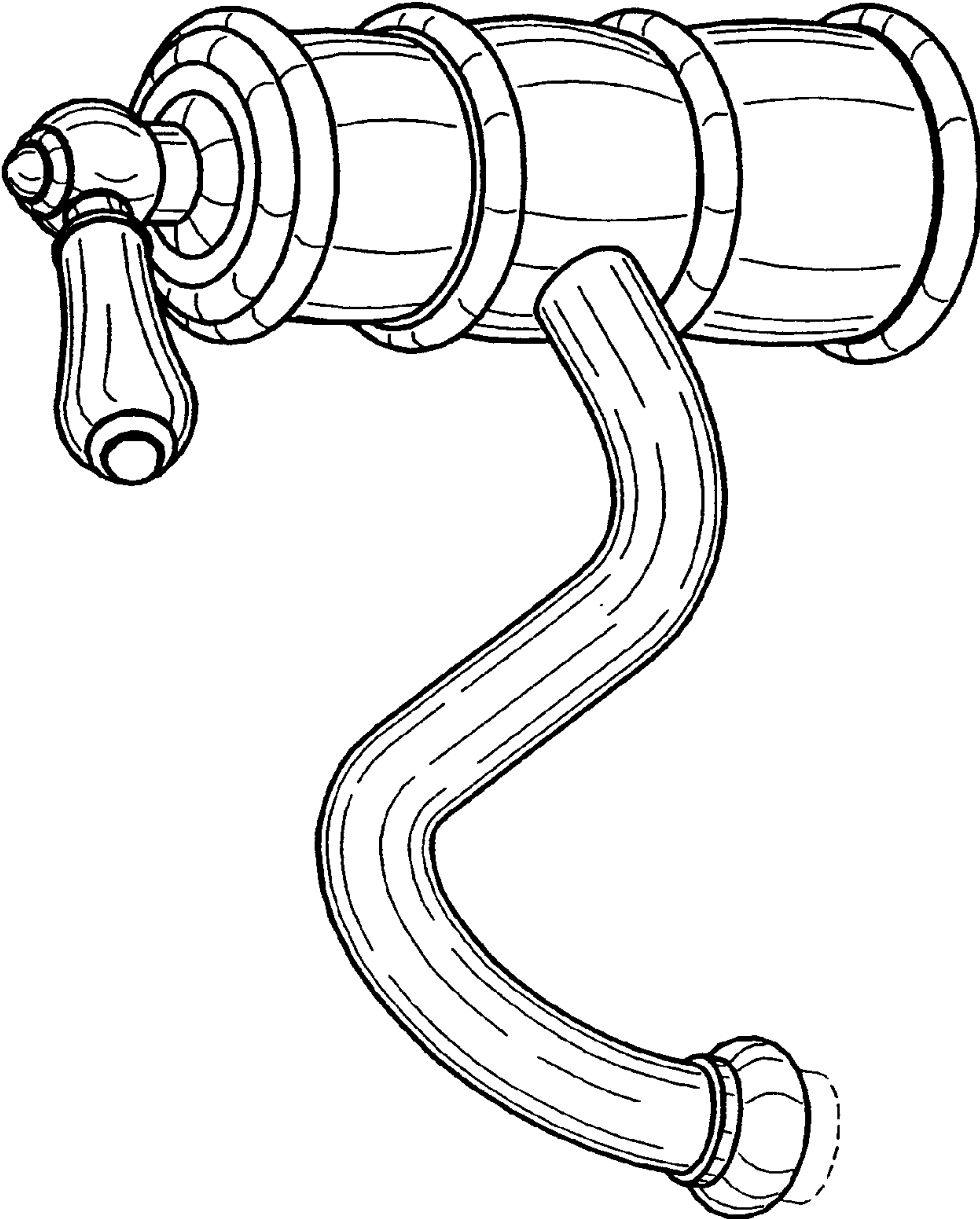
Kulig, Zbigniew, U.S. Appl. No. 29/220,248, filed Dec. 28, 2004.\*

Kulig, Zbigniew, U.S. Appl. No. 29/220,239, filed Dec. 28, 2004.\*

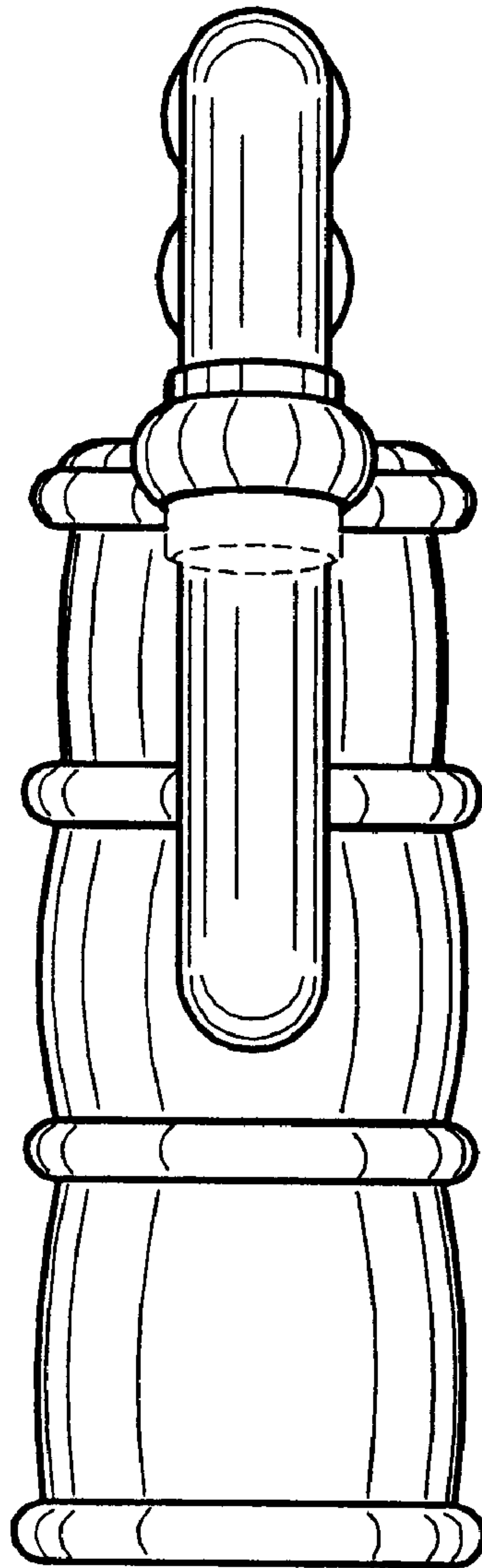
BLANCO America, *Kitchen Faucets*, [http://www.blancoamerica.com/kitchen\\_faucets.html](http://www.blancoamerica.com/kitchen_faucets.html) (pp. 1-5) (May 12, 2004).

BLANCO, *Decorative Bar Faucets*, [http://www.blancoamerica.com/bar\\_faucets.html](http://www.blancoamerica.com/bar_faucets.html) (pp. 1-2) (May 12, 2004).

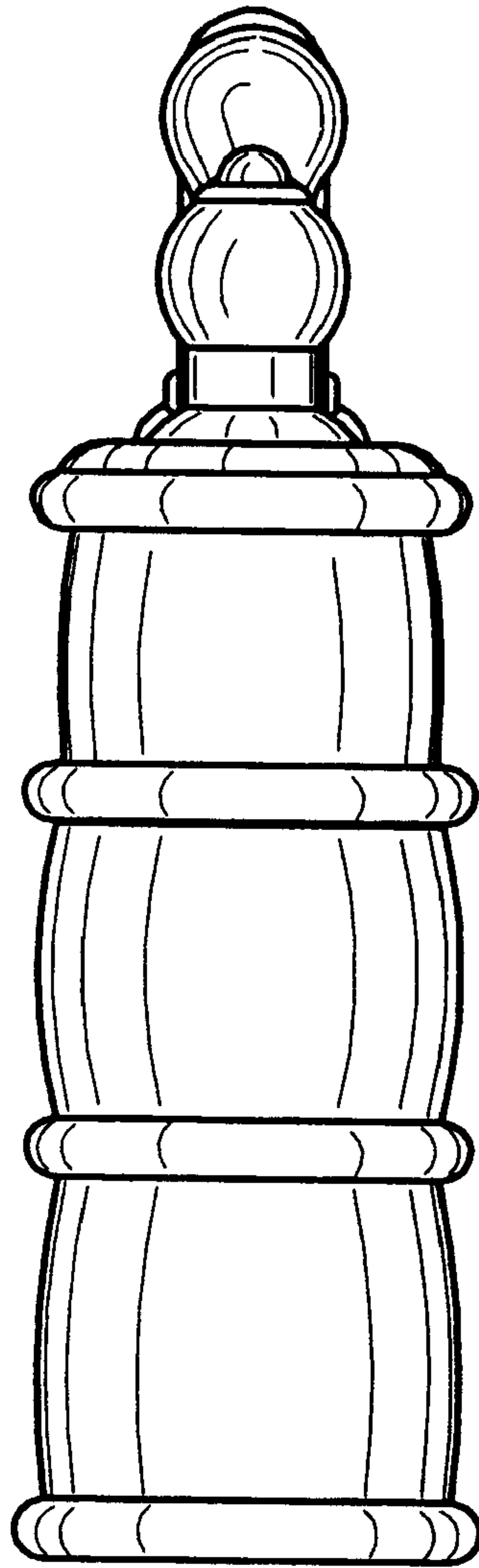
\* cited by examiner



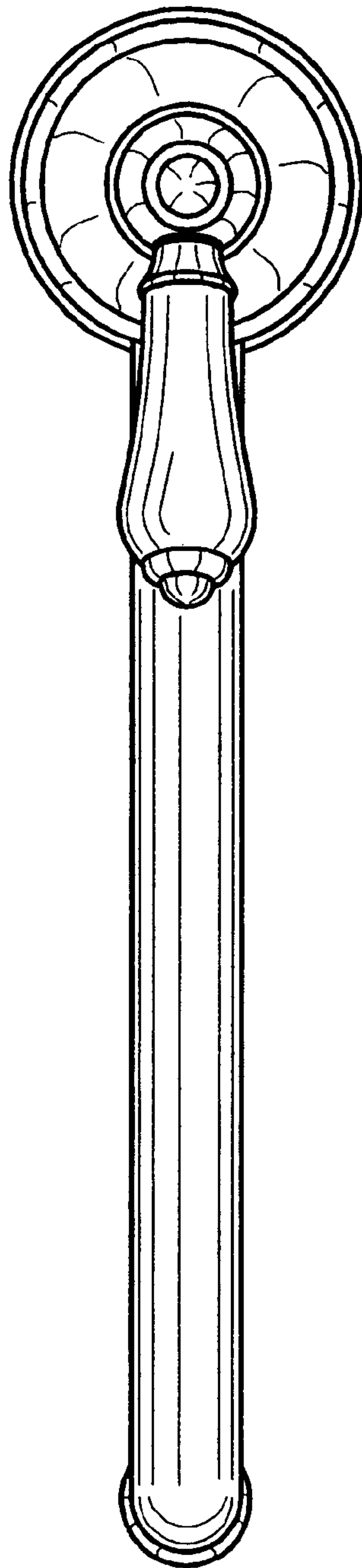
**FIG. 1**



**FIG. 2**

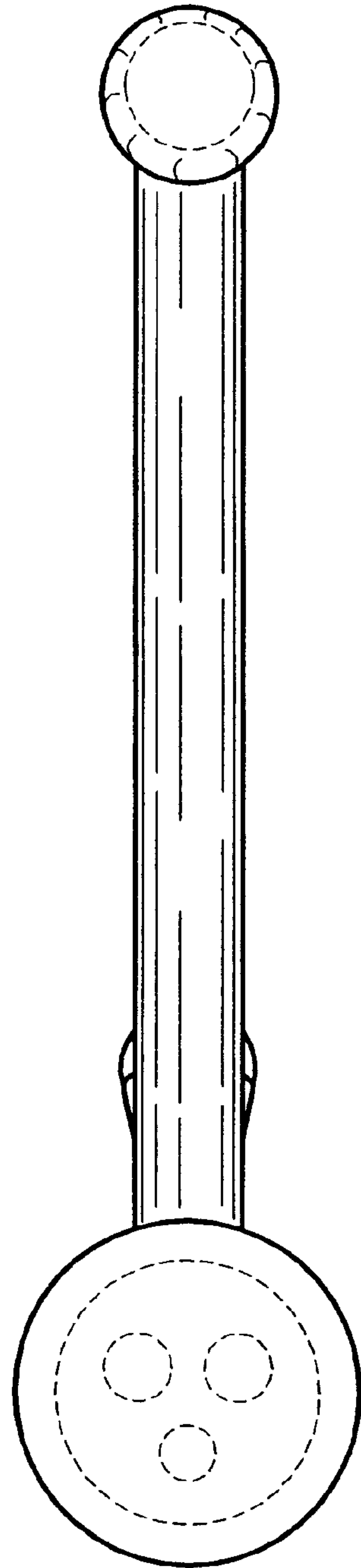


**FIG. 3**



**FIG. 4**





**FIG. 5**

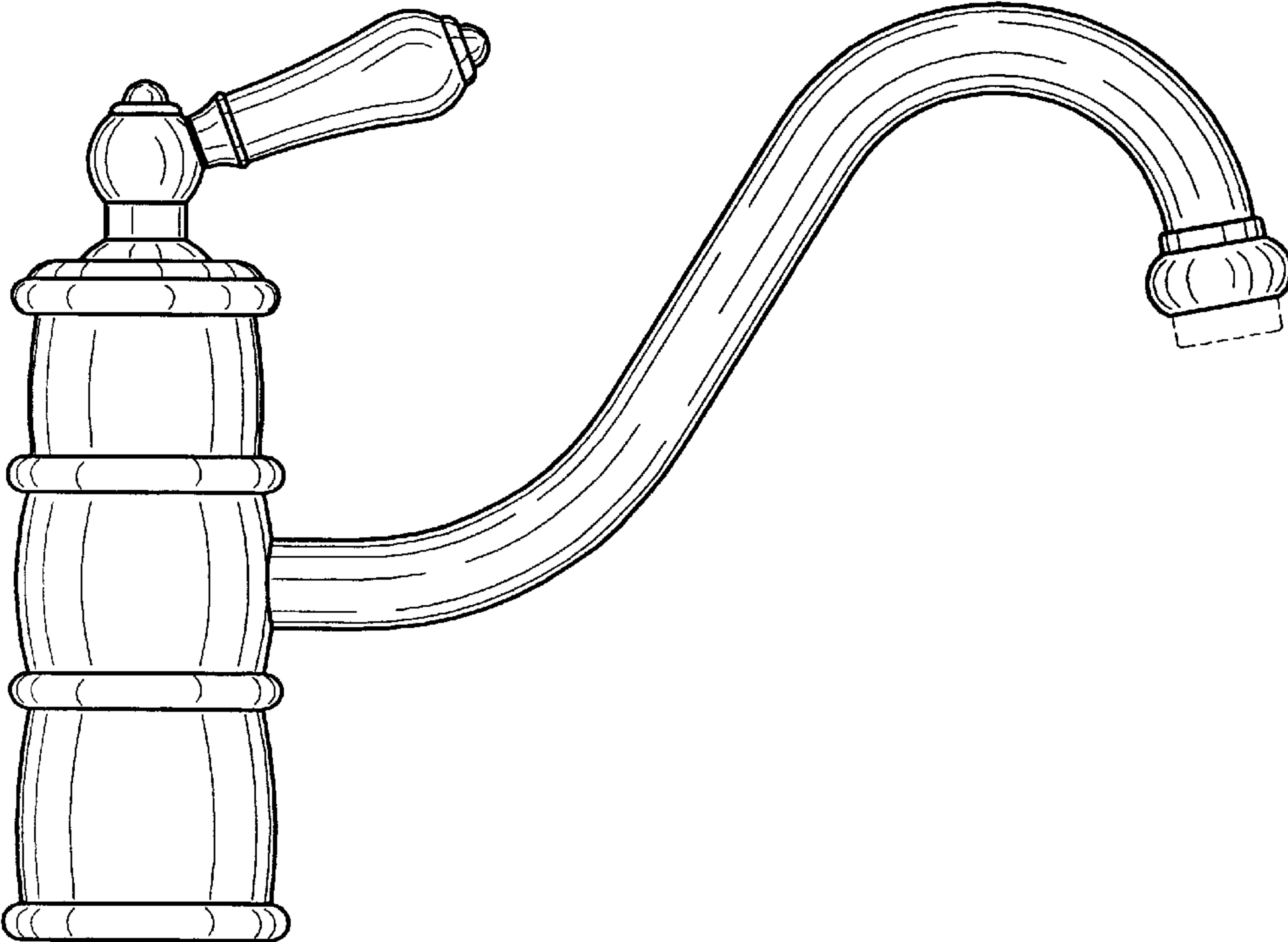


FIG. 6