



US00D510972S

(12) **United States Design Patent** (10) **Patent No.:** **US D510,972 S**  
**Wehner** (45) **Date of Patent:** **\*\* Oct. 25, 2005**

(54) **ENCLOSURE**

(76) **Inventor:** **Scott D. Wehner**, 4407 W. Stanley Rd.,  
Mt. Morris, MI (US) 48458

(\*\*) **Term:** **14 Years**

(21) **Appl. No.:** **29/221,700**

(22) **Filed:** **Jan. 21, 2005**

(51) **LOC (8) Cl.** ..... **21-04**

(52) **U.S. Cl.** ..... **D21/834**

(58) **Field of Search** ..... D21/834-839;  
47/17; 135/124, 125, 126, 128, 143, 153;  
D25/33

(56) **References Cited**

**U.S. PATENT DOCUMENTS**

|               |         |               |         |
|---------------|---------|---------------|---------|
| 2,167,219 A * | 7/1939  | Sankey        | 135/133 |
| 3,675,667 A   | 7/1972  | Miller        |         |
| 3,960,161 A   | 6/1976  | Norman        |         |
| 3,990,463 A   | 11/1976 | Norman        |         |
| 4,023,306 A   | 5/1977  | Ruggieri, Jr. |         |
| 4,067,346 A * | 1/1978  | Husted        | 135/153 |
| 4,815,784 A   | 3/1989  | Zheng         |         |
| 4,951,333 A   | 8/1990  | Kaiser et al. |         |
| 5,010,909 A   | 4/1991  | Cleveland     |         |
| 5,024,262 A   | 6/1991  | Huang         |         |
| 5,038,812 A   | 8/1991  | Norman        |         |
| 5,137,044 A   | 8/1992  | Brady         |         |
| 5,222,513 A   | 6/1993  | Hilliard      |         |
| 5,301,705 A   | 4/1994  | Zheng         |         |
| 5,411,046 A   | 5/1995  | Wan           |         |
| 5,467,794 A   | 11/1995 | Zheng         |         |
| 5,560,385 A   | 10/1996 | Zheng         |         |
| 5,579,799 A   | 12/1996 | Zheng         |         |
| D381,058 S *  | 7/1997  | Lowenthal     | D21/838 |
| 5,664,596 A   | 9/1997  | Zheng         |         |
| 5,778,915 A   | 7/1998  | Zheng         |         |
| 5,813,160 A * | 9/1998  | Thoelke       | 43/1    |
| 5,816,279 A   | 10/1998 | Zheng         |         |
| 6,021,794 A   | 2/2000  | Guerra        |         |

|                   |         |            |         |
|-------------------|---------|------------|---------|
| 6,098,335 A       | 8/2000  | Brown, Jr. |         |
| 6,155,281 A       | 12/2000 | Zheng      |         |
| 6,209,557 B1      | 4/2001  | Zheng      |         |
| 6,269,826 B1      | 8/2001  | Zheng      |         |
| 6,390,111 B2      | 5/2002  | Zheng      |         |
| 6,575,185 B2      | 6/2003  | Zheng      |         |
| 6,705,338 B2 *    | 3/2004  | Zheng      | 135/126 |
| 2003/0079769 A1 * | 5/2003  | Zheng      | 135/126 |

**FOREIGN PATENT DOCUMENTS**

FR 1380738 A 12/1964

**OTHER PUBLICATIONS**

Woods and Water Fall 2003 Catalog, Fall 2003, [online],  
[retrieved on Apr. 25, 2005] Retrieved from Google Catalog  
Search using Internet <URL: http://catalog.google.com/  
catalogs?hl=en&lr=&issue=23373&catpage=106> p. 106.\*  
Ameristep Quality Hunting Catalog 2002, pp. 4-11.

\* cited by examiner

*Primary Examiner*—Holly Baynham  
*Assistant Examiner*—Cynthia M. Chin  
(74) *Attorney, Agent, or Firm*—Young & Basile, P.C.

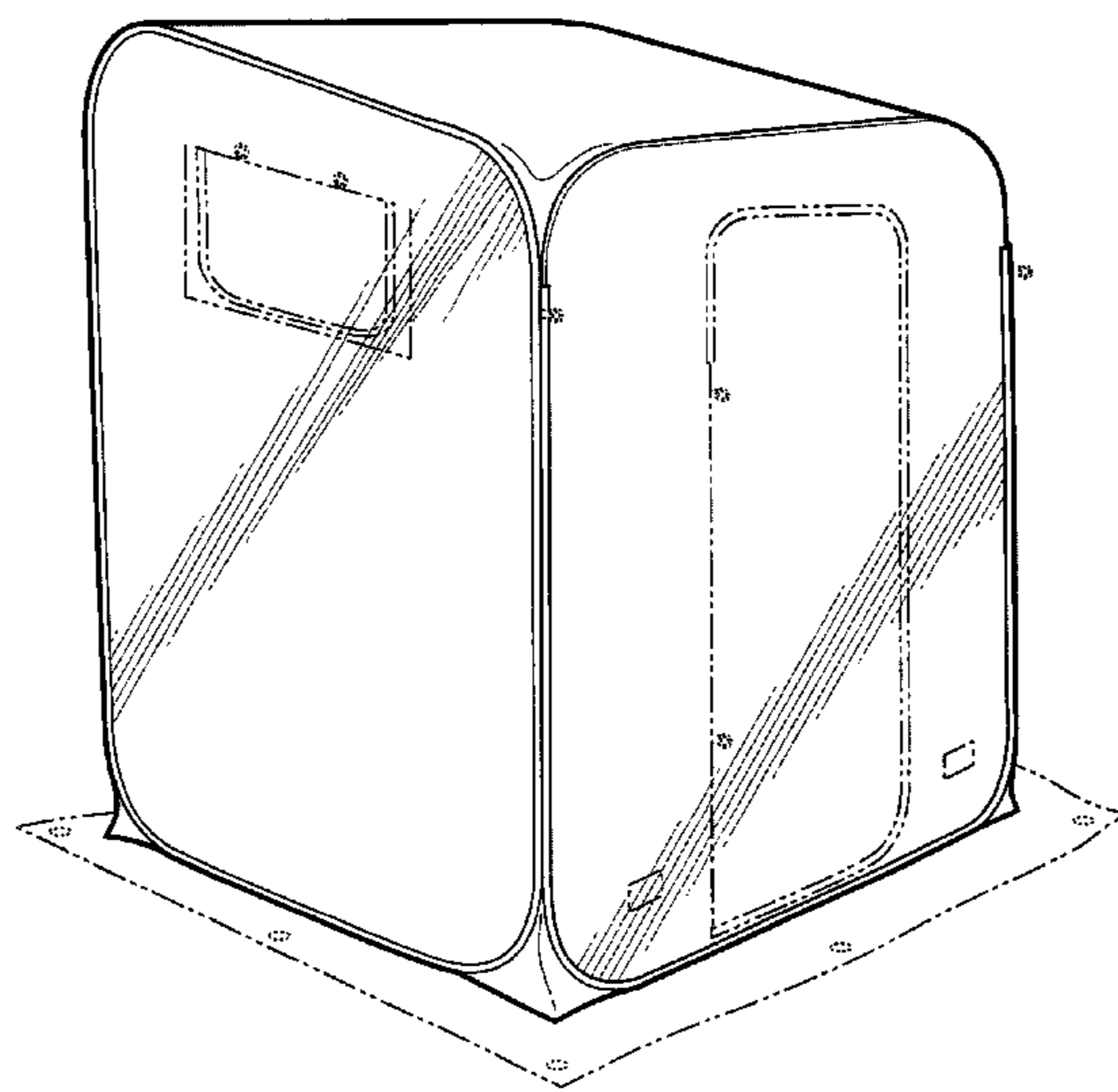
(57) **CLAIM**

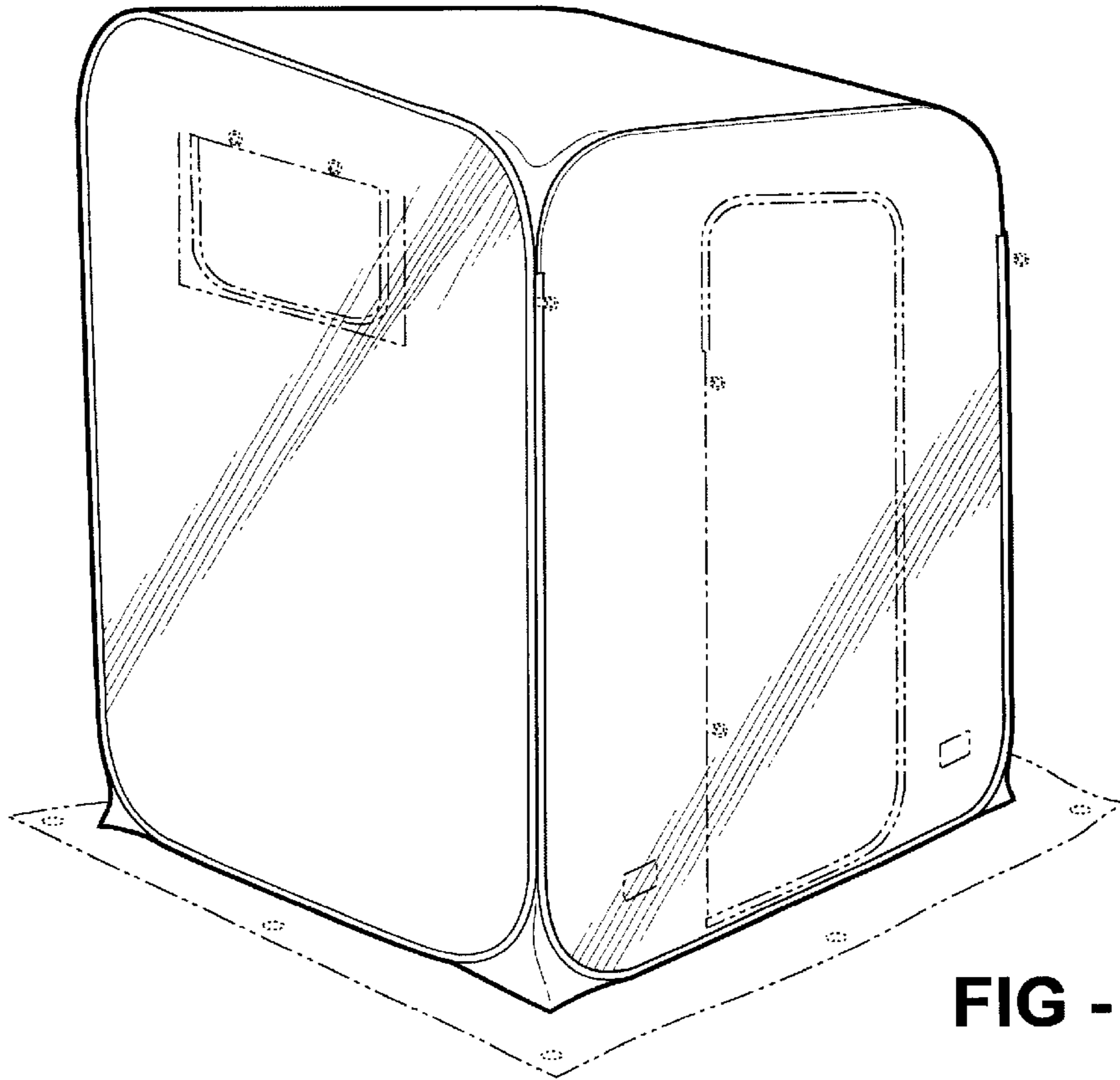
The ornamental design for a enclosure, as shown and described.

**DESCRIPTION**

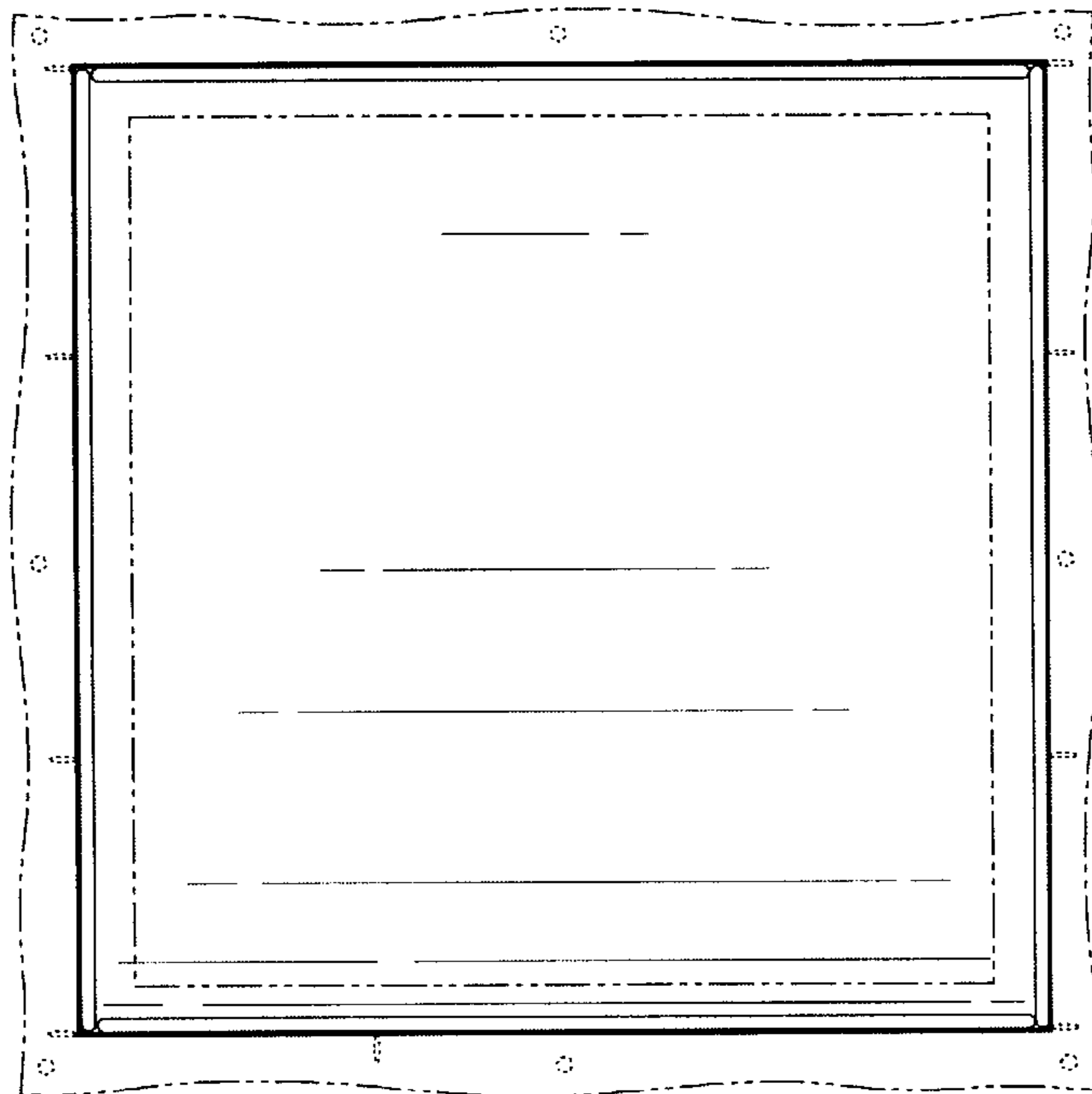
FIG. 1 is a perspective view of the enclosure showing my new design;  
FIG. 2 is a front elevational view of the enclosure of FIG. 1;  
FIG. 3 is a rear elevational view of the enclosure of FIG. 1;  
FIG. 4 is a side elevational view of the enclosure of FIG. 1,  
the opposite side being a mirror image thereof;  
FIG. 5 is a top plan view of the enclosure of FIG. 1; and,  
FIG. 6 is a bottom plan view of the enclosure of FIG. 1.  
The broken lines showing additional detail are for illustrative purposes only and form no part of the claimed design.

**1 Claim, 3 Drawing Sheets**





**FIG - 1**



**FIG - 6**

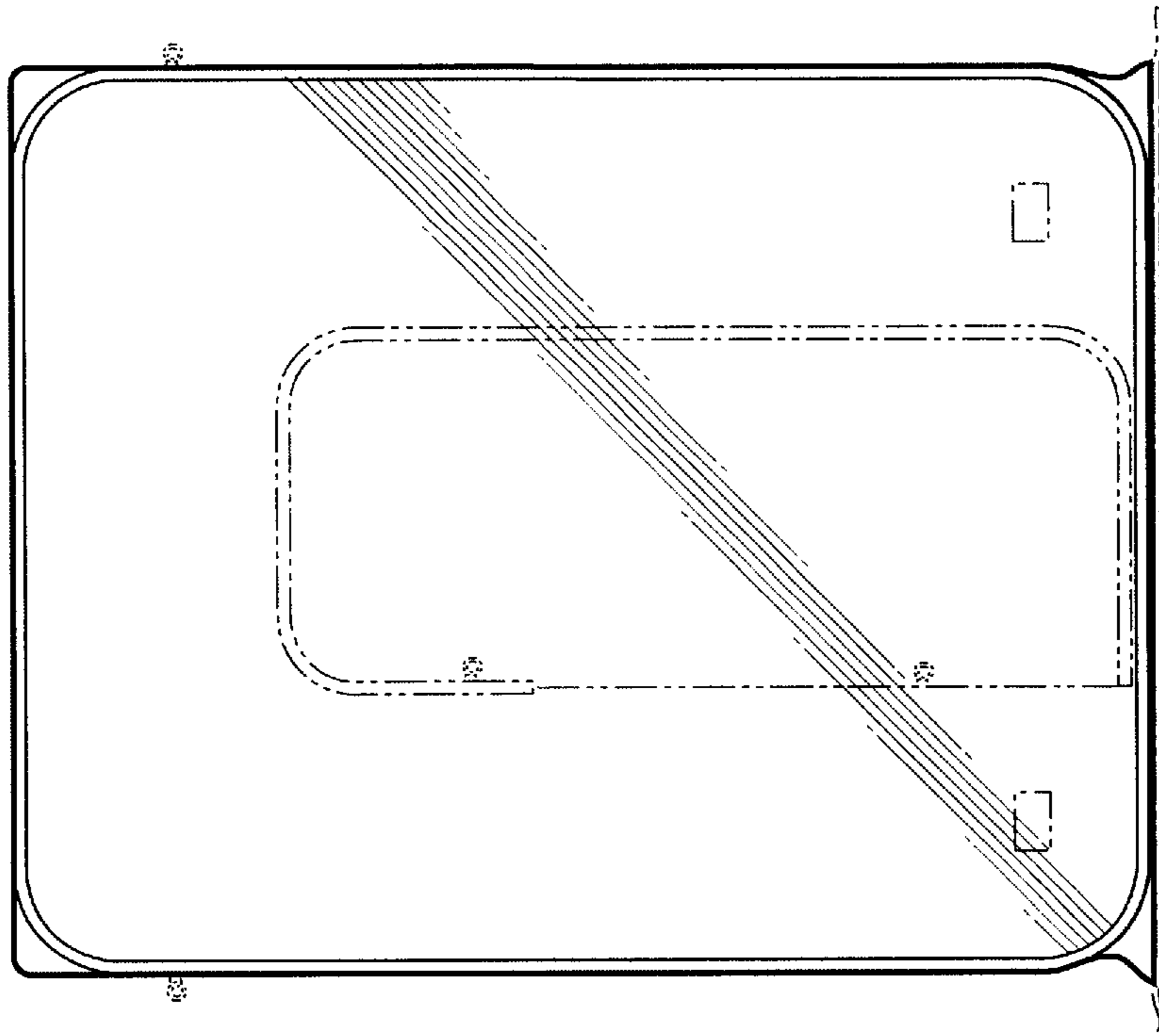


FIG - 3

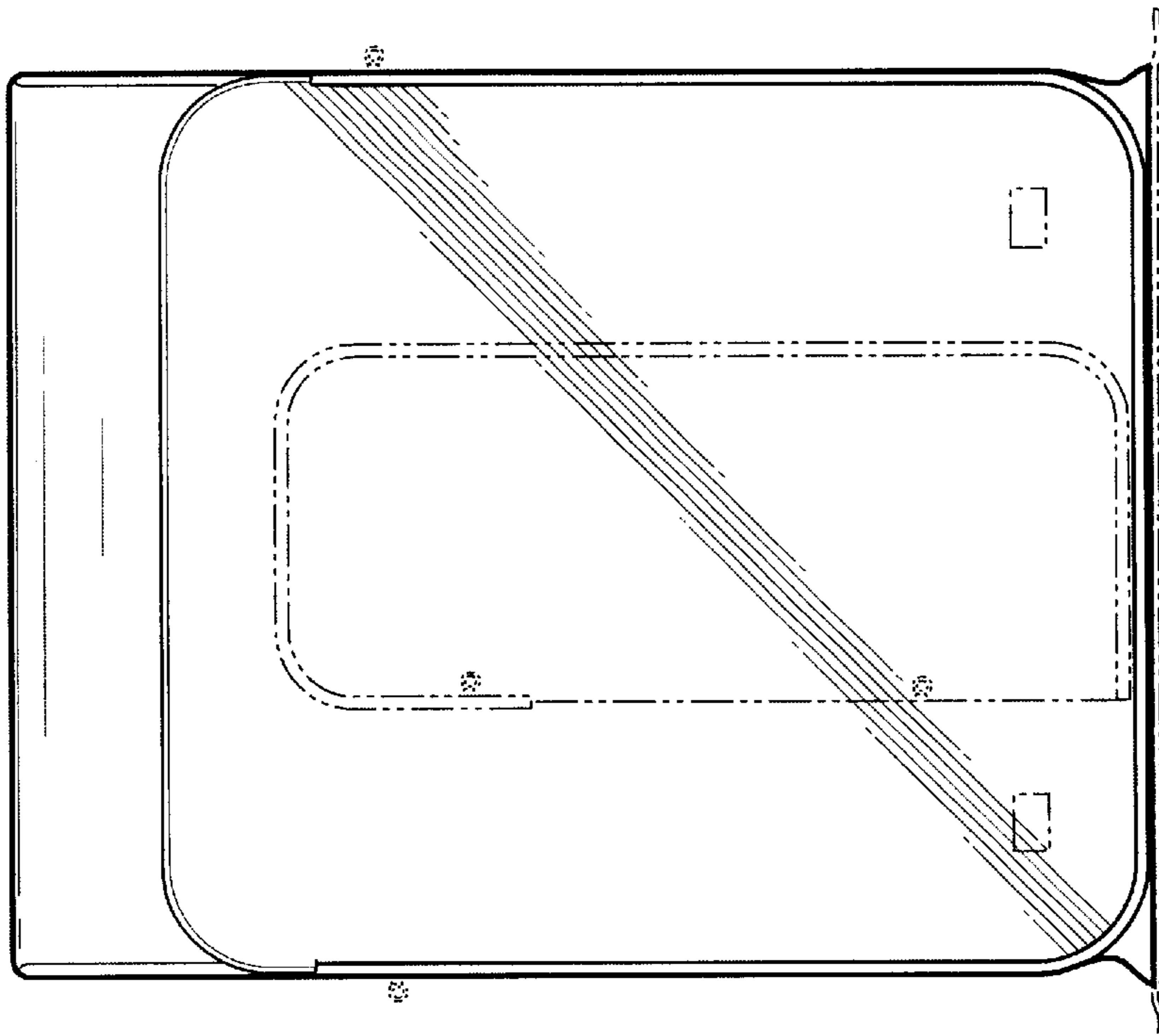


FIG - 2

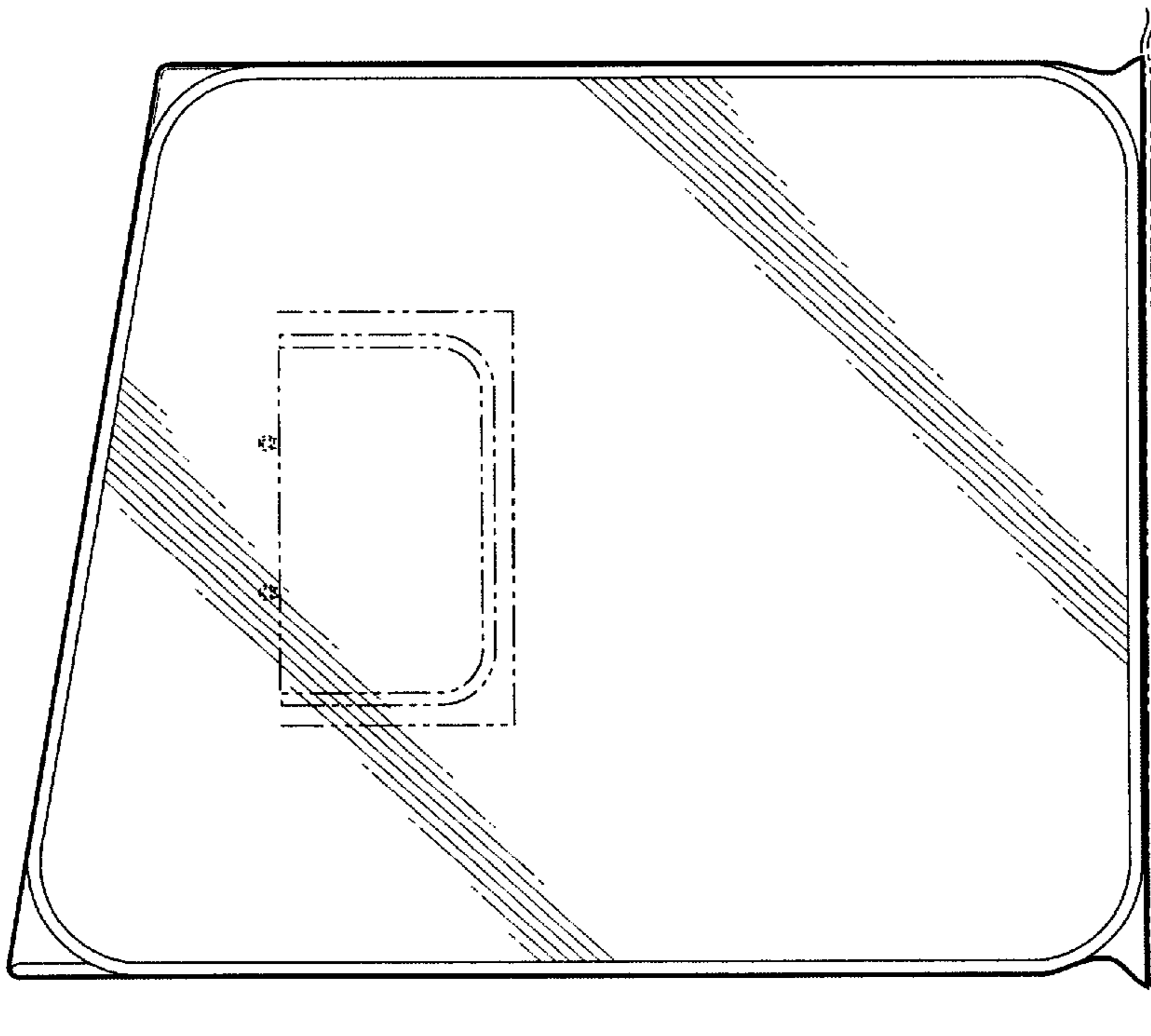


FIG - 4

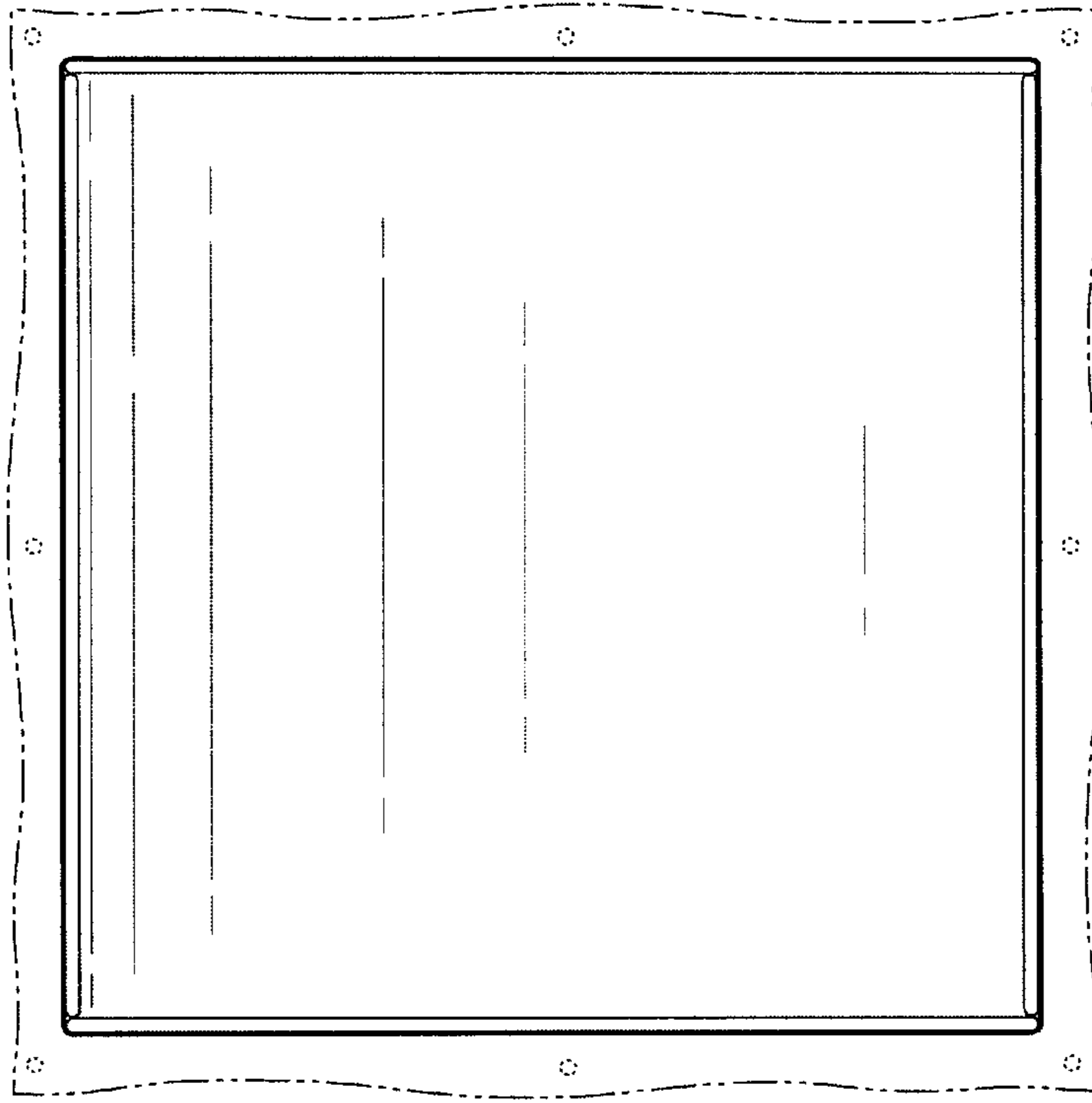


FIG - 5