



US00D510968S

(12) **United States Design Patent** (10) **Patent No.:** **US D510,968 S**
Coleman et al. (45) **Date of Patent:** **** Oct. 25, 2005**

(54) **HOCKEY PUCK WITH STRAKES AND VENTS**

(75) Inventors: **Michael Coleman**, Pompano Beach, FL (US); **Simon Berdugo**, Montreal (CA); **Andrew J. Small**, Montreal (CA)

(73) Assignee: **ASSB Holding Company**, Montreal (CA)

(**) Term: **14 Years**

(21) Appl. No.: **29/214,236**

(22) Filed: **Sep. 29, 2004**

5,366,219 A	*	11/1994	Salcer et al.	473/588
D361,610 S	*	8/1995	Malki	D21/710
D367,902 S	*	3/1996	Silk	D21/710
5,564,698 A	*	10/1996	Honey et al.	473/570
5,597,161 A		1/1997	Bellehumeur et al.	
5,695,420 A	*	12/1997	Bellehumeur	473/588
5,707,308 A	*	1/1998	Liu	473/588
5,718,648 A		2/1998	La Savio	
5,733,213 A	*	3/1998	Colarusso	473/588
D394,483 S	*	5/1998	Dusablon et al.	D21/710
5,816,965 A	*	10/1998	Kotler	473/588
D401,649 S	*	11/1998	Bellehumeur	D21/710
5,855,528 A	*	1/1999	Aiello et al.	473/588
6,089,998 A	*	7/2000	O'Neal et al.	473/588
6,200,238 B1	*	3/2001	Tackett	473/588
6,592,476 B1		7/2003	Bellehumeur et al.	

Related U.S. Application Data

(63) Continuation of application No. 10/946,822, filed on Sep. 21, 2004.

(51) **LOC (8) Cl.** **21-02**

(52) **U.S. Cl.** **D21/710**

(58) **Field of Search** D21/710; 473/569-572, 473/588, 589, FOR 132, FOR 134, FOR 167

* cited by examiner

Primary Examiner—Catherine Tuttle

(74) *Attorney, Agent, or Firm*—Laurence A. Greenberg; Werner H. Stemer; Ralph E. Locher

(57) **CLAIM**

The ornamental design for a hockey puck with strakes and vents, as shown and described.

(56) **References Cited**

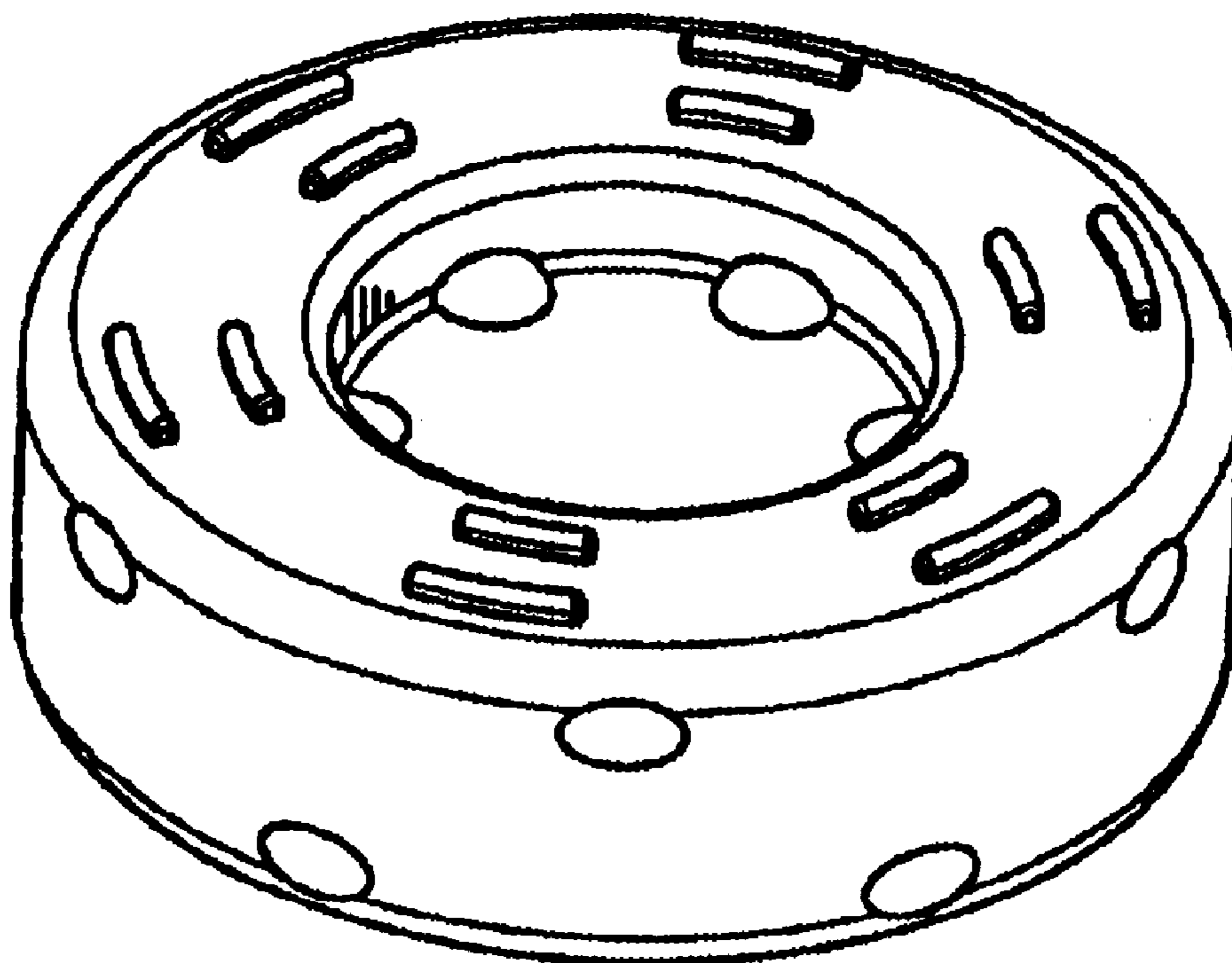
U.S. PATENT DOCUMENTS

2,727,744 A		12/1955	Watson	
3,117,788 A	*	1/1964	Bnonanno et al.	473/588
3,726,526 A		4/1973	Radovich	
3,784,204 A		1/1974	Felber	
4,111,419 A		9/1978	Pellegrino	
5,149,096 A		9/1992	Keating et al.	
5,269,520 A	*	12/1993	Vellines	473/588
5,275,410 A		1/1994	Bellehumeur et al.	

DESCRIPTION

FIG. 1 is a perspective view of a puck with strakes and vents according to the invention;
FIG. 2 is an elevational view of the front and left side of FIG. 1; and corresponds to the lower left or upper right sides of FIG. 3; and,
FIG. 3 is a top plan view thereof, the bottom plan view appearing the same.

1 Claim, 1 Drawing Sheet



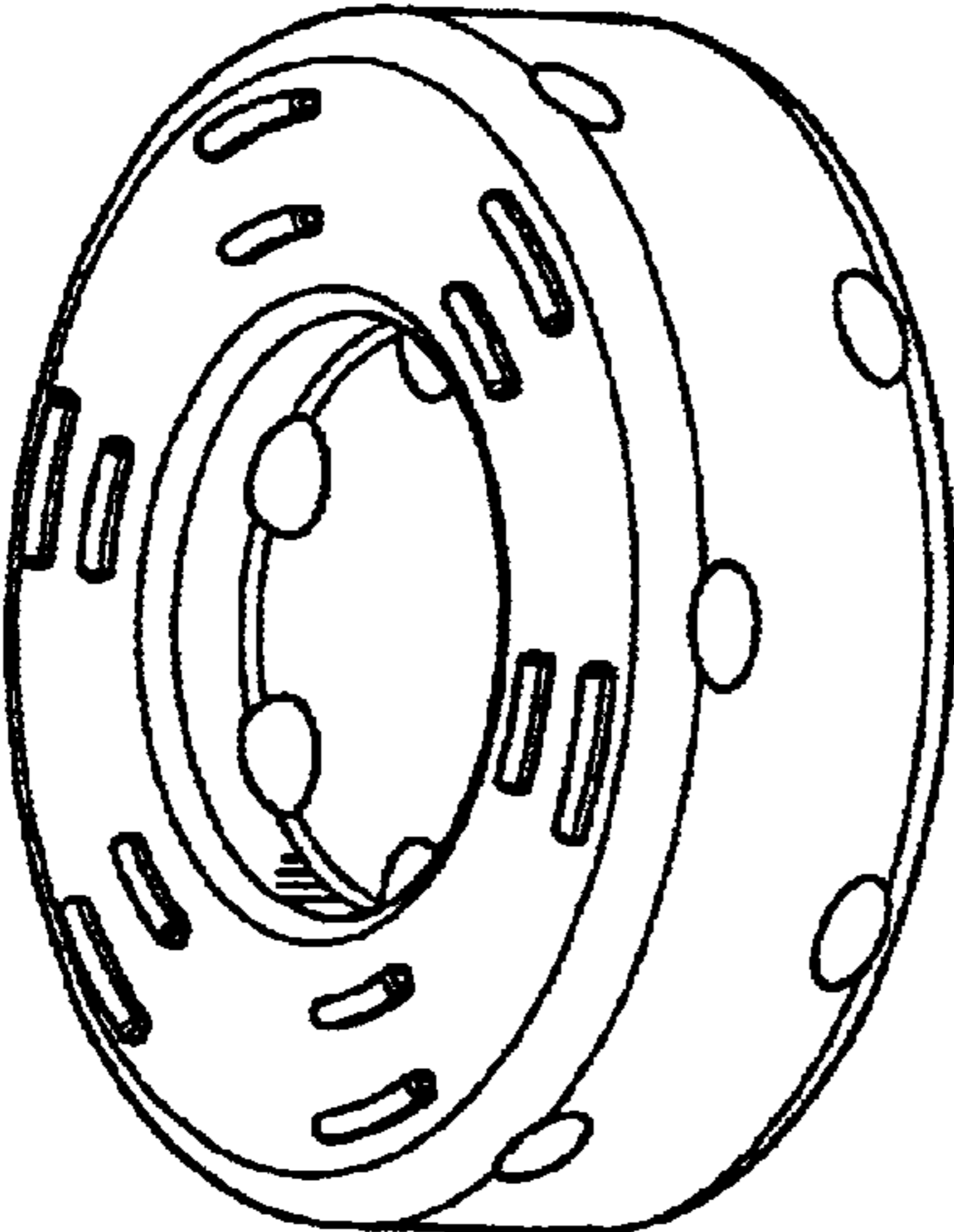


FIG 1

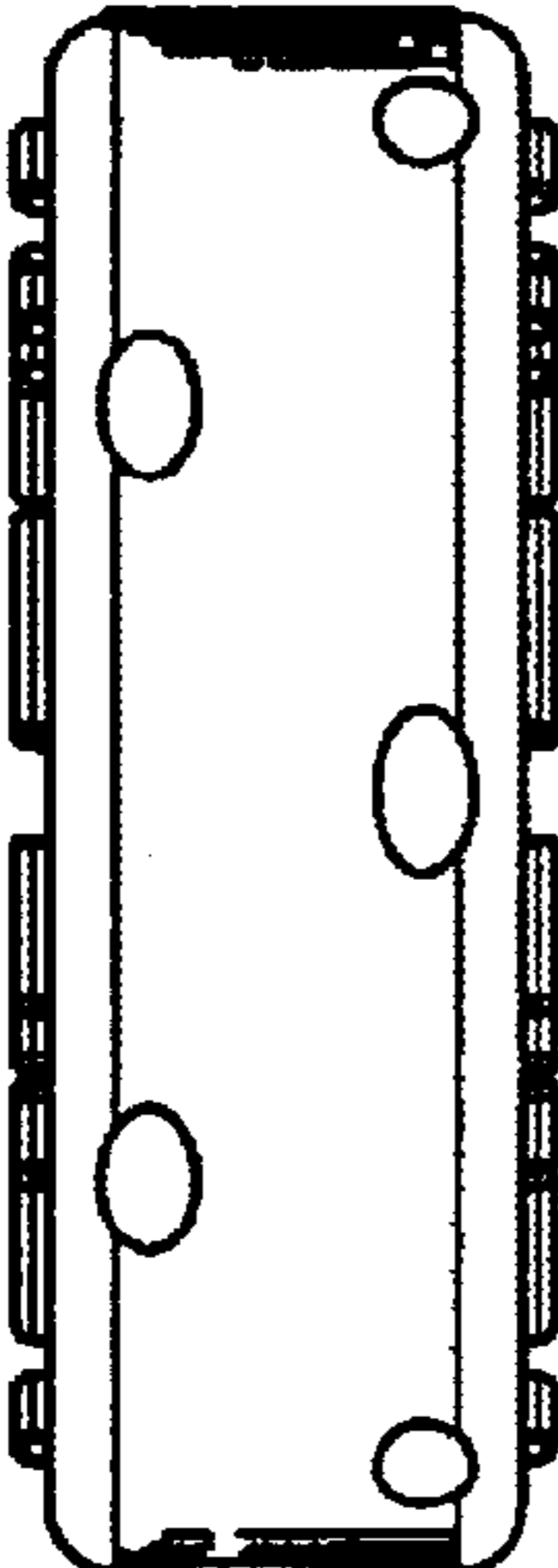


FIG 2

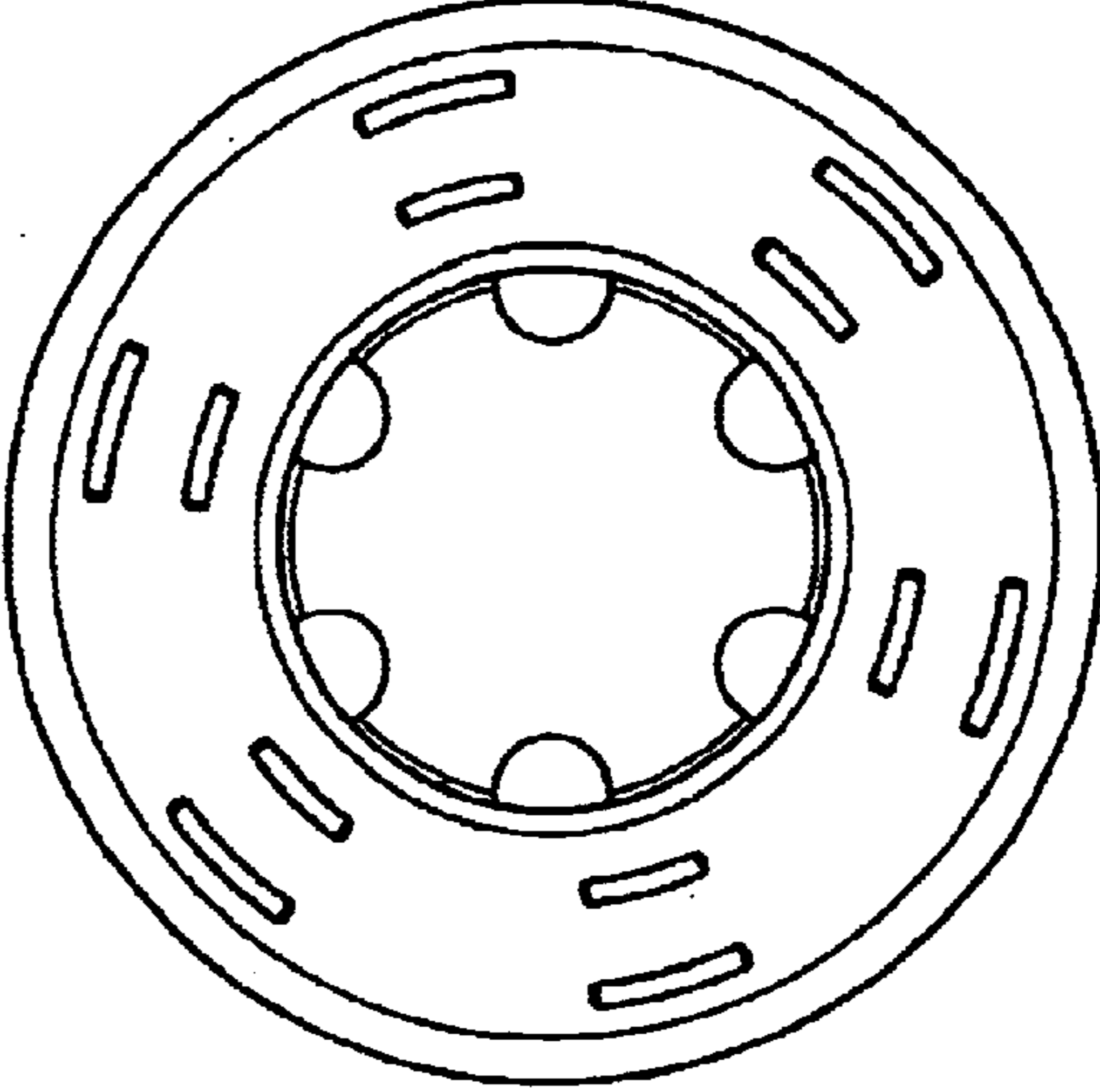


FIG 3