



US00D510967S

(12) **United States Design Patent** (10) **Patent No.:** **US D510,967 S**  
**Coleman et al.** (45) **Date of Patent:** **\*\* Oct. 25, 2005**

(54) **HOCKEY PUCK WITH STRAKES**  
(75) Inventors: **Michael Coleman**, Pompano Beach, FL (US); **Simon Berdugo**, Montreal (CA); **Andrew J. Small**, Montreal (CA)  
(73) Assignee: **ASSB Holding Company**, Hollywood, FL (US)  
(\*\*) Term: **14 Years**

D361,610 S \* 8/1995 Malki ..... D21/710  
D367,902 S \* 3/1996 Silk ..... D21/710  
5,597,161 A 1/1997 Bellehumeur et al.  
5,718,648 A 2/1998 La Savio  
5,733,213 A \* 3/1998 Colarusso ..... 473/588  
D394,483 S \* 5/1998 Dusablon et al. .... D21/710  
5,855,528 A \* 1/1999 Aiello et al. .... 473/588  
6,089,998 A \* 7/2000 O'Neal et al. .... 473/588  
6,200,238 B1 \* 3/2001 Tackett ..... 473/588  
6,592,476 B1 7/2003 Bellehumeur et al.

(21) Appl. No.: **29/214,233**  
(22) Filed: **Sep. 29, 2004**

**Related U.S. Application Data**

(63) Continuation of application No. 10/946,822, filed on Sep. 21, 2004.  
(51) **LOC (8) Cl.** ..... **21-02**  
(52) **U.S. Cl.** ..... **D21/710**  
(58) **Field of Search** ..... D21/710; 473/569-572, 473/588, 589, FOR 132, FOR 143, FOR 167

(56) **References Cited**

**U.S. PATENT DOCUMENTS**

2,727,744 A 12/1955 Watson  
3,726,526 A 4/1973 Radovich  
3,784,204 A 1/1974 Felber  
4,111,419 A 9/1978 Pellegrino  
5,149,096 A 9/1992 Keating et al.  
5,275,410 A 1/1994 Bellehumeur et al.  
5,366,219 A \* 11/1994 Salcer et al. .... 473/588

**FOREIGN PATENT DOCUMENTS**

DE 19525414 A1 \* 1/1996 ..... A63B/37/00

\* cited by examiner

*Primary Examiner*—Catherine Tuttle  
(74) *Attorney, Agent, or Firm*—Laurence A. Greenberg; Werner H. Stemer; Ralph E. Locher

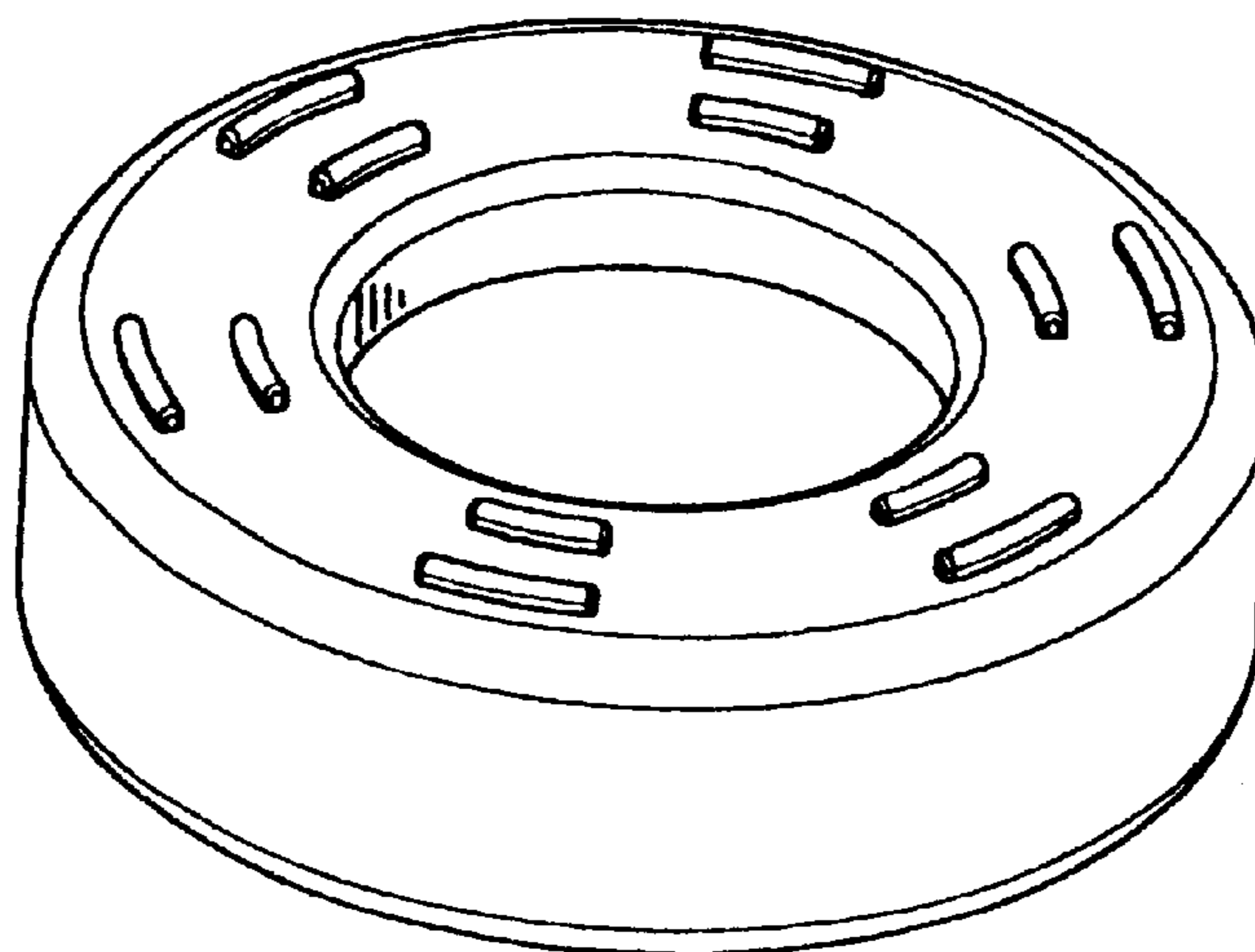
(57) **CLAIM**

The ornamental design for a hockey puck with strakes, as shown and described.

**DESCRIPTION**

FIG. 1 is a perspective view of a puck with strakes according to the invention;  
FIG. 2 is an elevational view of FIG. 1; and corresponds to the lower left or upper right side of FIG. 3 viewed at an angle from the vertical median; and,  
FIG. 3 is a top plan view thereof, the bottom plan view being the same.

**1 Claim, 1 Drawing Sheet**



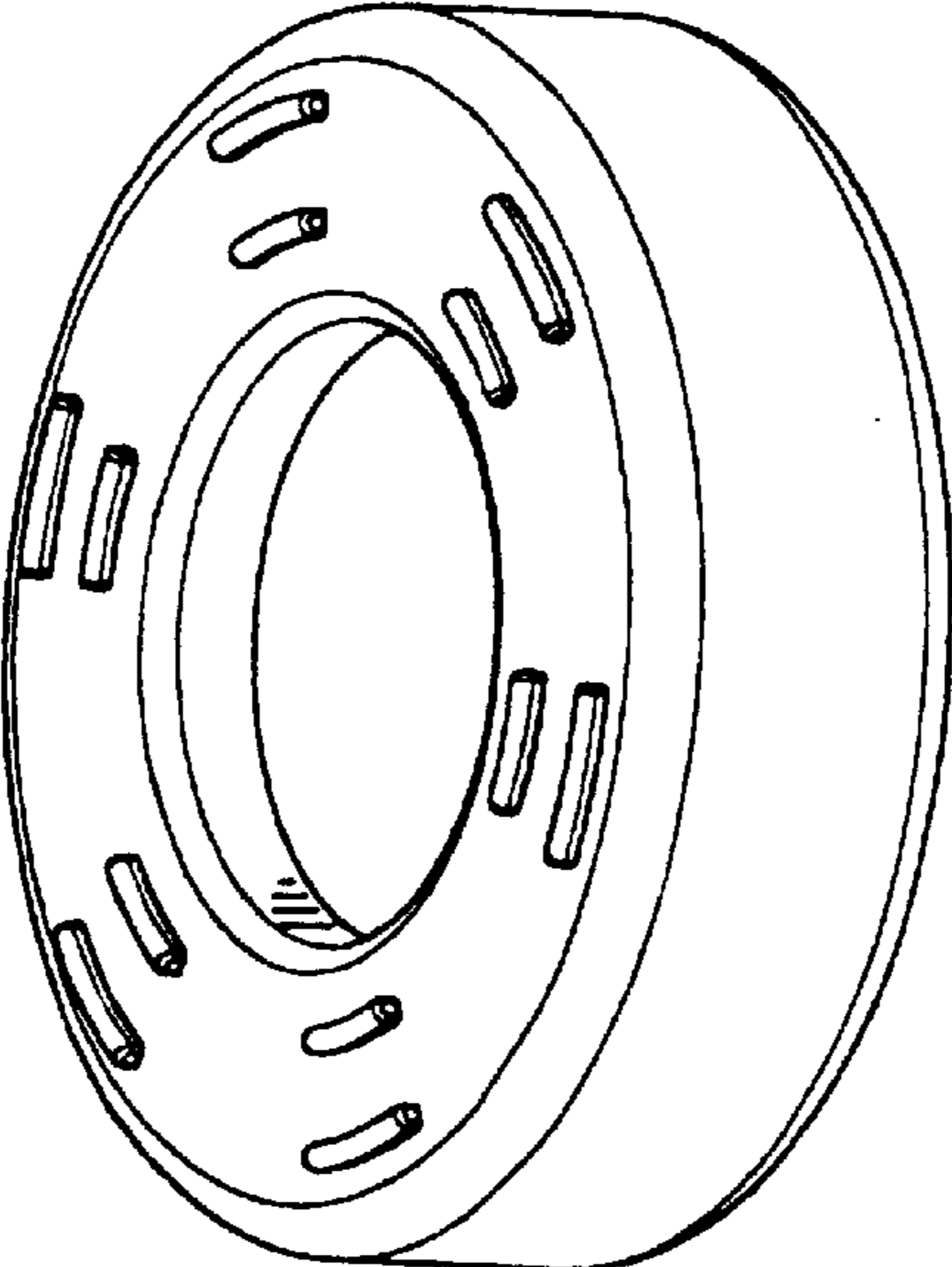


FIG. 1

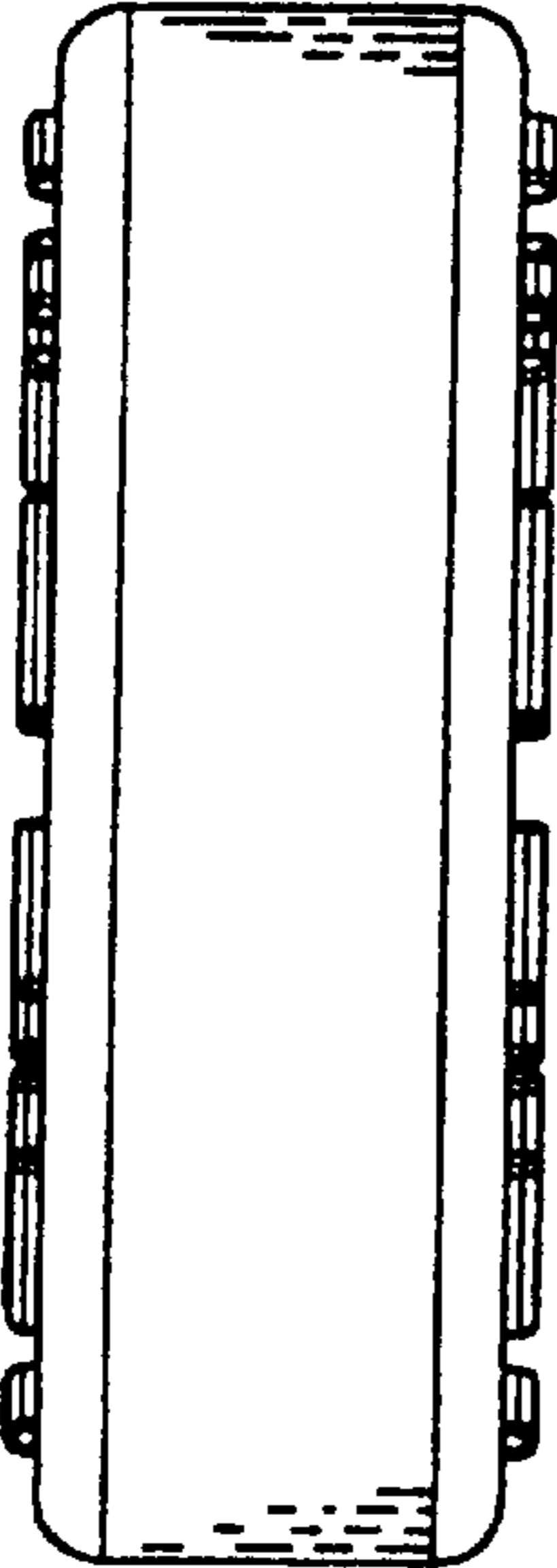


FIG. 2

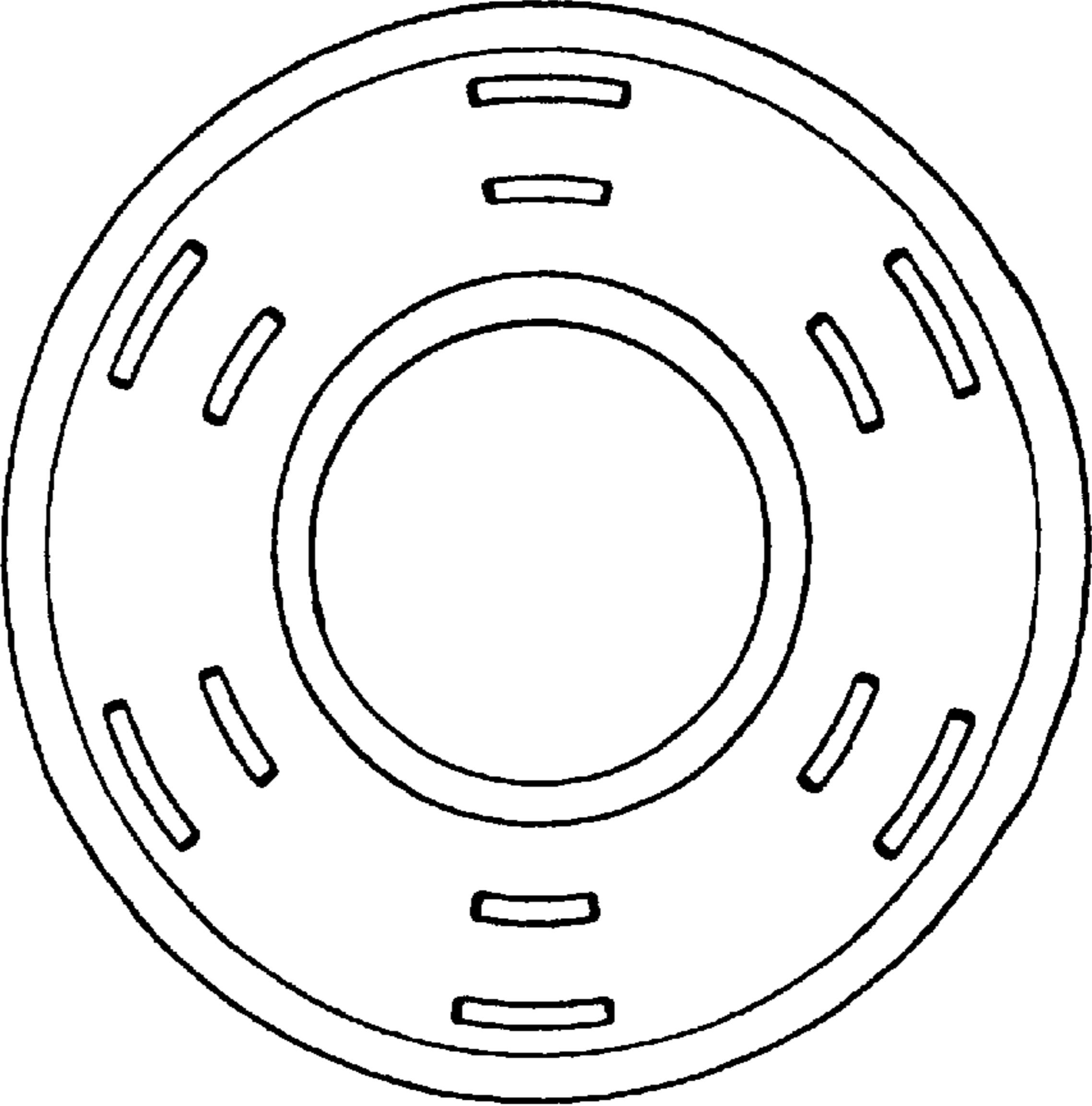


FIG. 3