



US00D510965S

(12) **United States Design Patent**  
**Clark**

(10) **Patent No.:** **US D510,965 S**  
(45) **Date of Patent:** **\*\* Oct. 25, 2005**

(54) **REVERSIBLE PEDAL FOR AN EXERCISE APPARATUS**

(75) Inventor: **Michael R. Clark**, Wadsworth, OH (US)

(73) Assignee: **Fitness Quest Inc.**, Canton, OH (US)

(\*\*) Term: **14 Years**

(21) Appl. No.: **29/188,307**

(22) Filed: **Aug. 15, 2003**

(51) **LOC (8) Cl.** ..... **21-02**

(52) **U.S. Cl.** ..... **D21/694; D12/125**

(58) **Field of Search** ..... D21/663, 667, D21/668, 670, 694; D12/125; 74/594.4, 594.6; 482/57, 139

(56) **References Cited**

**U.S. PATENT DOCUMENTS**

D199,951 S	12/1964	Golden
3,592,076 A	7/1971	Baginski
4,004,468 A	1/1977	Durham
D248,635 S	7/1978	Pawsat et al.
D251,552 S	4/1979	Humlong
4,150,667 A	4/1979	Takeuchi
D257,249 S	10/1980	Kingsbury
D260,249 S	8/1981	Humlong
4,345,487 A	8/1982	Straker
D275,846 S	10/1984	Buchanan, Jr. et al.
D282,730 S	2/1986	Pawsat et al.
D284,561 S	7/1986	Pawsat et al.
D286,994 S	12/1986	Colani
D286,996 S	12/1986	Hartmann et al.
4,682,771 A	7/1987	Jean
D292,075 S	9/1987	Kiyota
D299,222 S	1/1989	Feamster, III et al.
D299,449 S	1/1989	Chouan
D299,450 S	1/1989	Chouan
D302,259 S	7/1989	Konzorr et al.
D302,668 S	8/1989	Chouan
D303,778 S	10/1989	Szewczak
4,909,537 A	3/1990	Tratner
D313,192 S	12/1990	Kiffe

D316,697 S	5/1991	Beiser
D320,369 S	10/1991	Feamster, III et al.
D324,838 S	3/1992	Briscadieu
5,125,648 A	6/1992	Olschansky et al.
D331,034 S	11/1992	McMurtrey
D333,688 S	3/1993	Beyer
D354,724 S	1/1995	Boone
D355,871 S	2/1995	Schermeister
D360,441 S	7/1995	Beyer
D370,540 S	6/1996	Good
D378,667 S	4/1997	Ortega

(Continued)

**FOREIGN PATENT DOCUMENTS**

FR	1 162 080 A	9/1958
JP	01 115793 A	5/1989

**OTHER PUBLICATIONS**

International Search Report—Dated Feb. 15, 2005—6 pages.

*Primary Examiner*—Philip S. Hyder

(74) *Attorney, Agent, or Firm*—Brouse McDowell; Heather M. Barnes

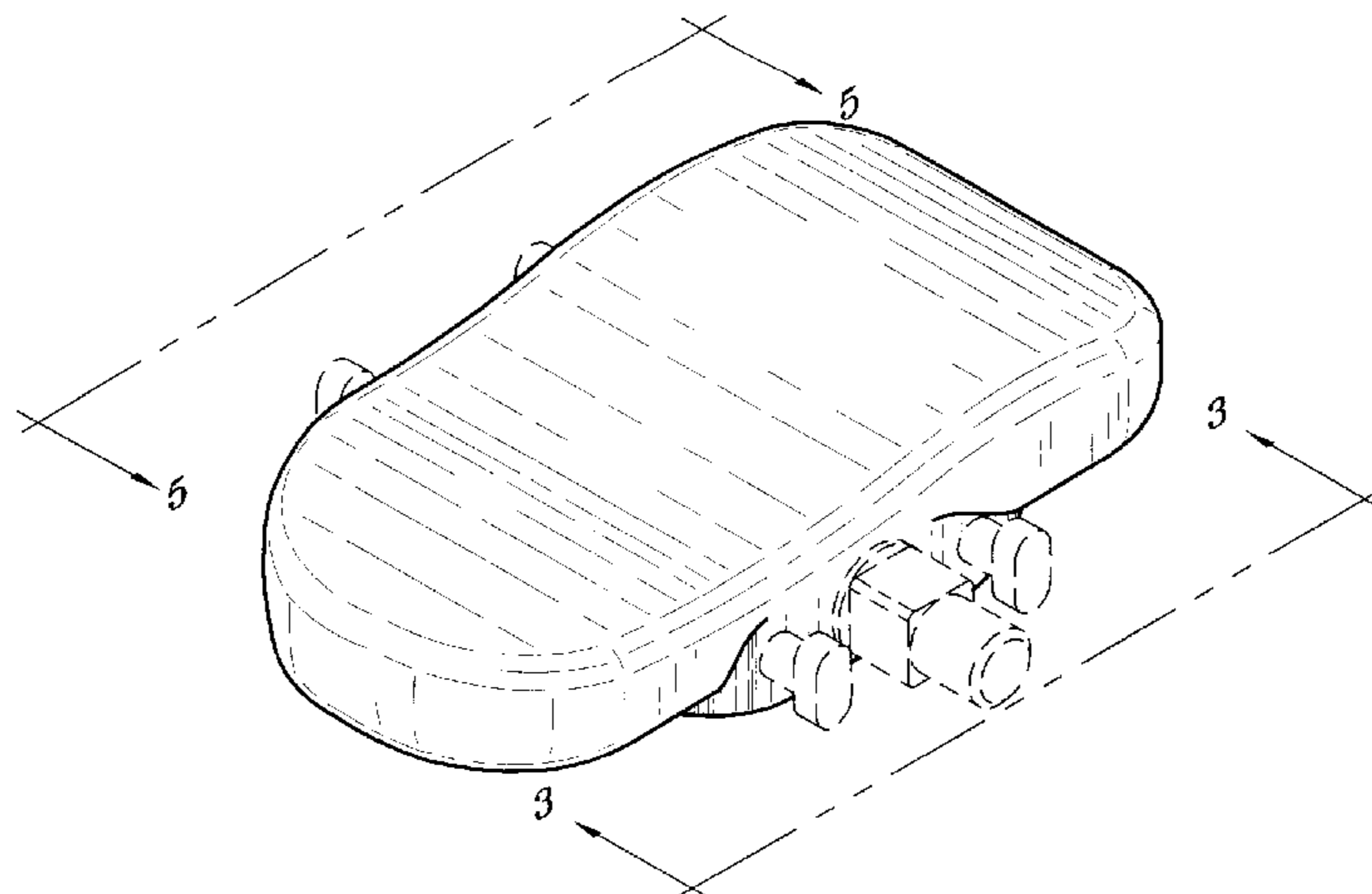
(57) **CLAIM**

The ornamental design for a reversible pedal for an exercise apparatus, as shown and described.

**DESCRIPTION**

FIG. 1 is a top perspective view showing the new design; FIG. 2 is a top plan view of FIG. 1; FIG. 3 is a side elevational view taken along line 3—3 of FIG. 1; FIG. 4 is a front elevational view of FIG. 1; FIG. 5 is a side elevational view taken along line 5—5 of FIG. 1; FIG. 6 is a rear elevational view of FIG. 1; FIG. 7 is a bottom plan view of FIG. 1; and, FIG. 8 is a bottom perspective view of FIG. 1. The broken line portions of the disclosure are for illustrative purposes only and form no part of the claimed design.

**1 Claim, 4 Drawing Sheets**



# US D510,965 S

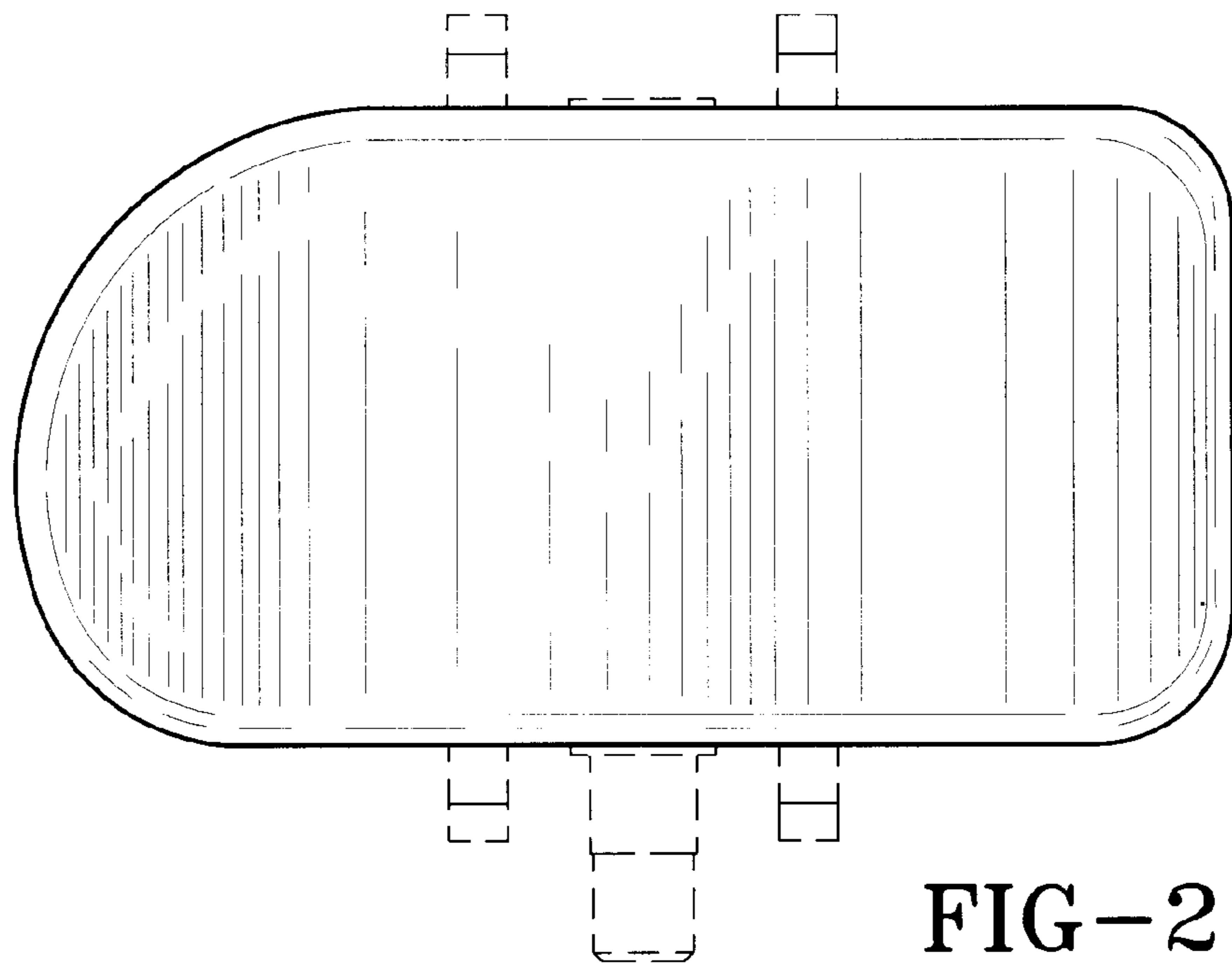
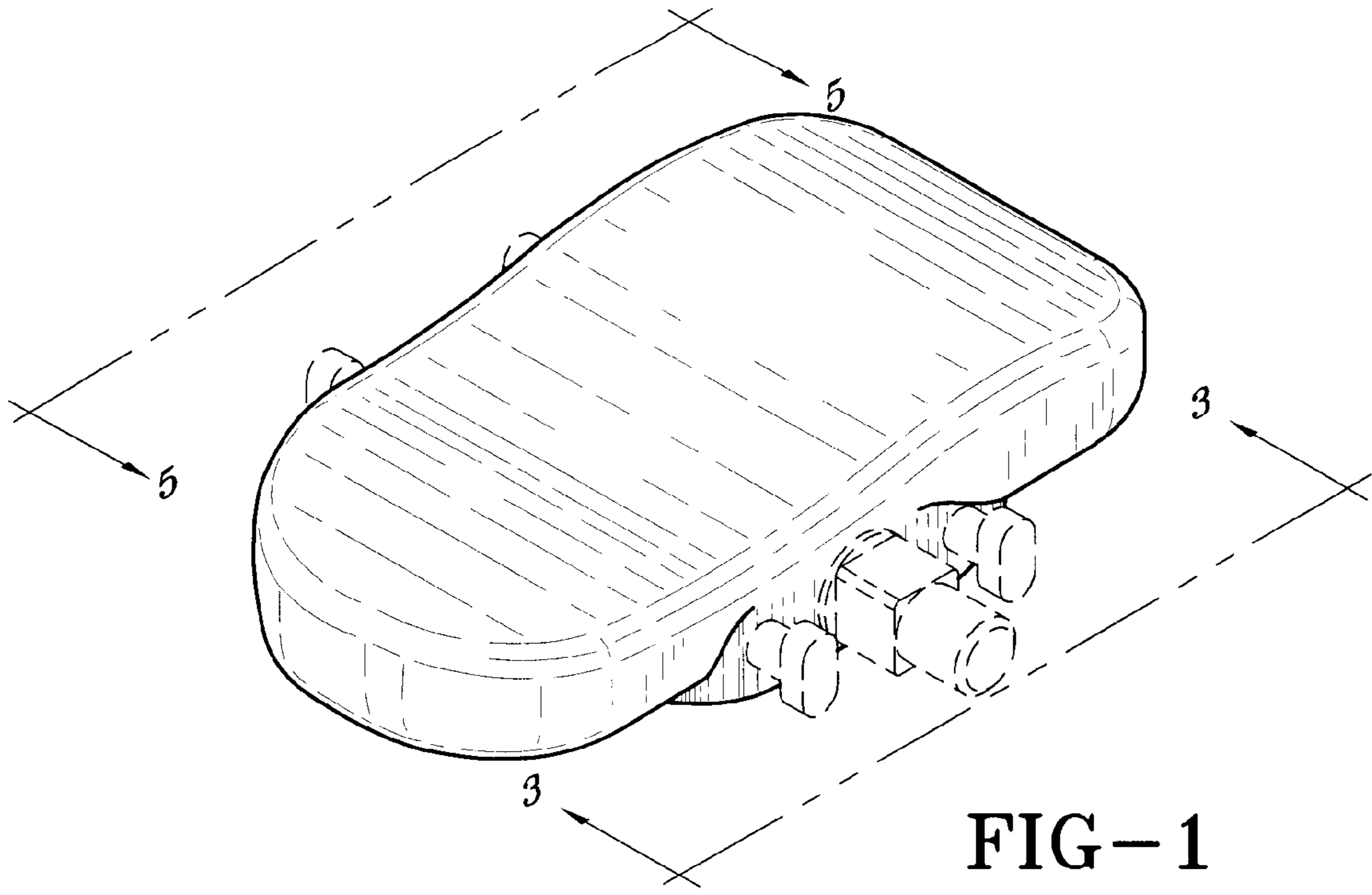
Page 2

---

## U.S. PATENT DOCUMENTS

D387,706 S	12/1997	Hanamura		6,234,046 B1	5/2001	Coombe
D393,298 S	* 4/1998	Kuo .....	D21/694	6,276,235 B1	8/2001	Heim
5,784,931 A	7/1998	Ueda		6,293,169 B1	9/2001	Takahama
5,787,764 A	8/1998	Peyre		6,305,244 B1	10/2001	Takahama
D398,345 S	* 9/1998	Lin .....	D21/685	6,374,699 B1	4/2002	Peyre
D426,175 S	6/2000	Chin-Fong		6,393,940 B1	5/2002	Ueda
D432,463 S	10/2000	Hanamura		6,446,529 B1	9/2002	Tanaka
D434,349 S	11/2000	Currie et al.		6,453,771 B1	9/2002	Takahama et al.
6,170,357 B1	1/2001	Chen		6,490,948 B2	12/2002	Tanaka
6,178,850 B1	1/2001	Hilley		6,513,408 B1	2/2003	Hilber
6,227,072 B1	5/2001	Ritchey et al.		6,543,309 B2	4/2003	Heim
6,230,583 B1	5/2001	Ohno		6,543,310 B1	4/2003	Baker et al.
6,230,584 B1	5/2001	Lin				

\* cited by examiner



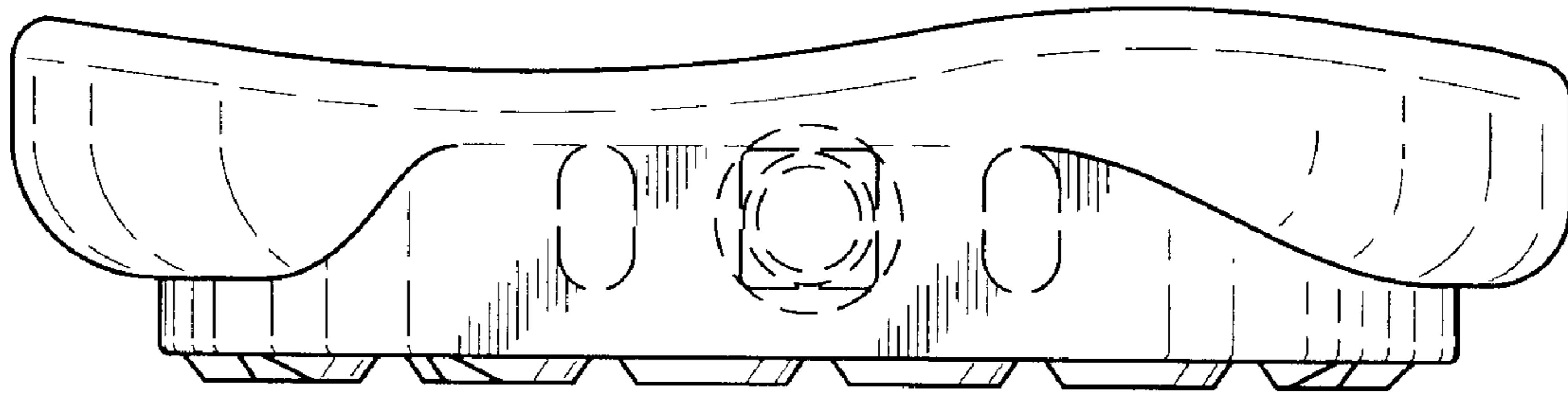


FIG-3

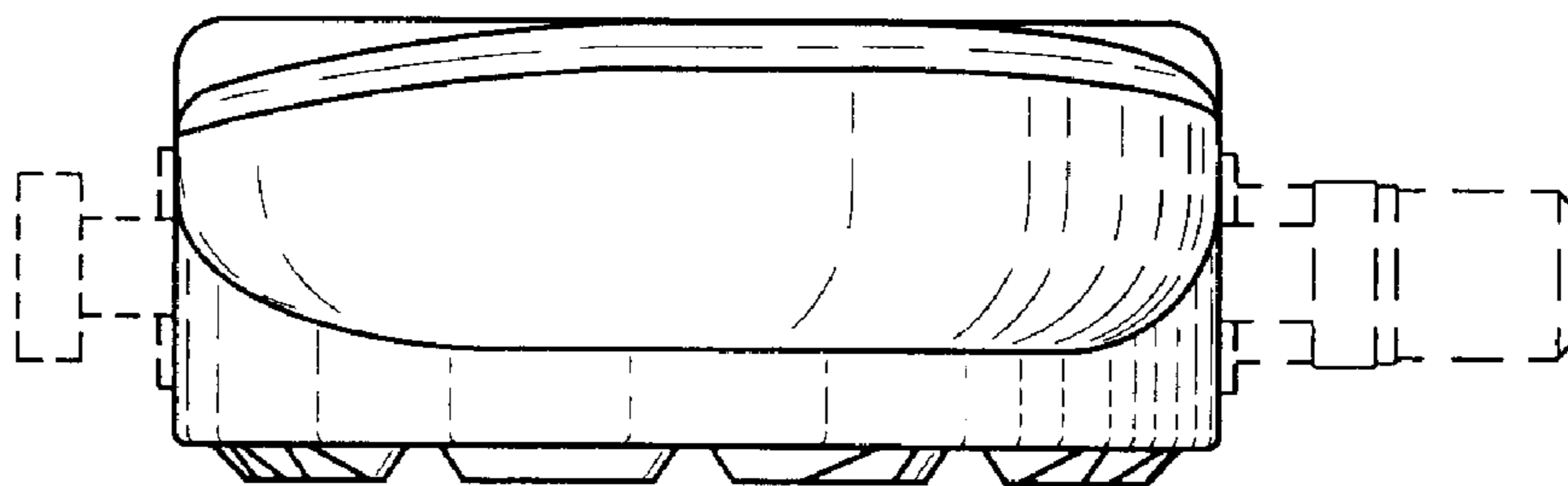


FIG-4

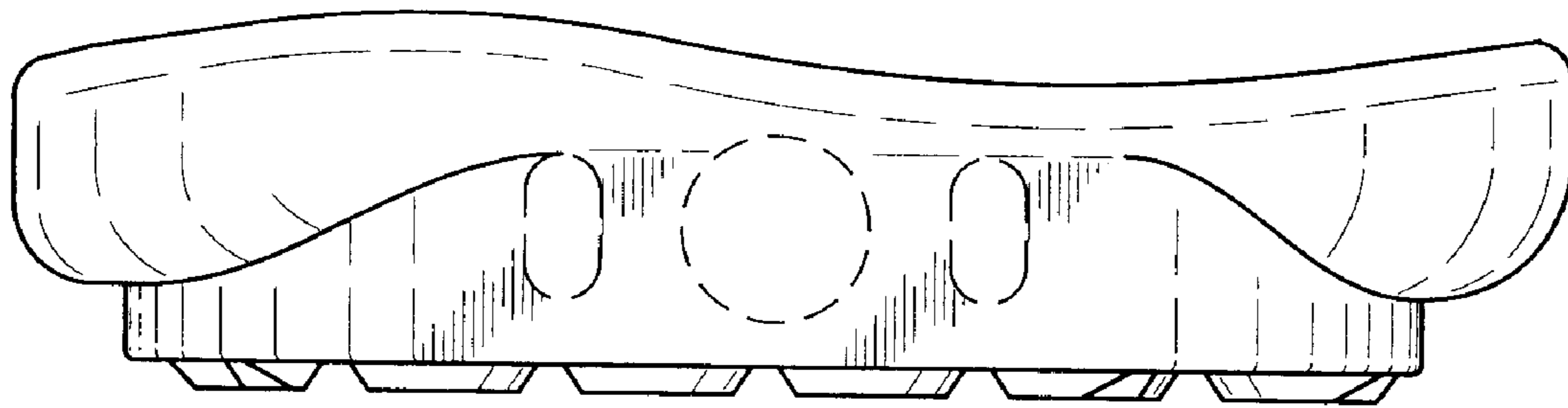


FIG-5

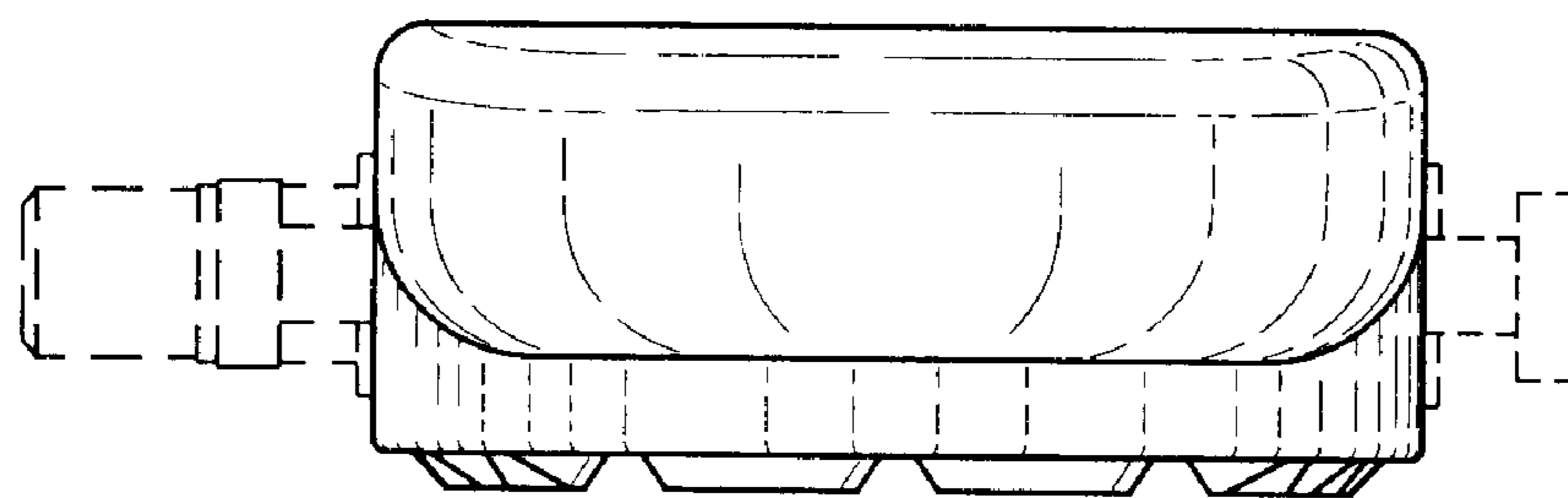


FIG-6



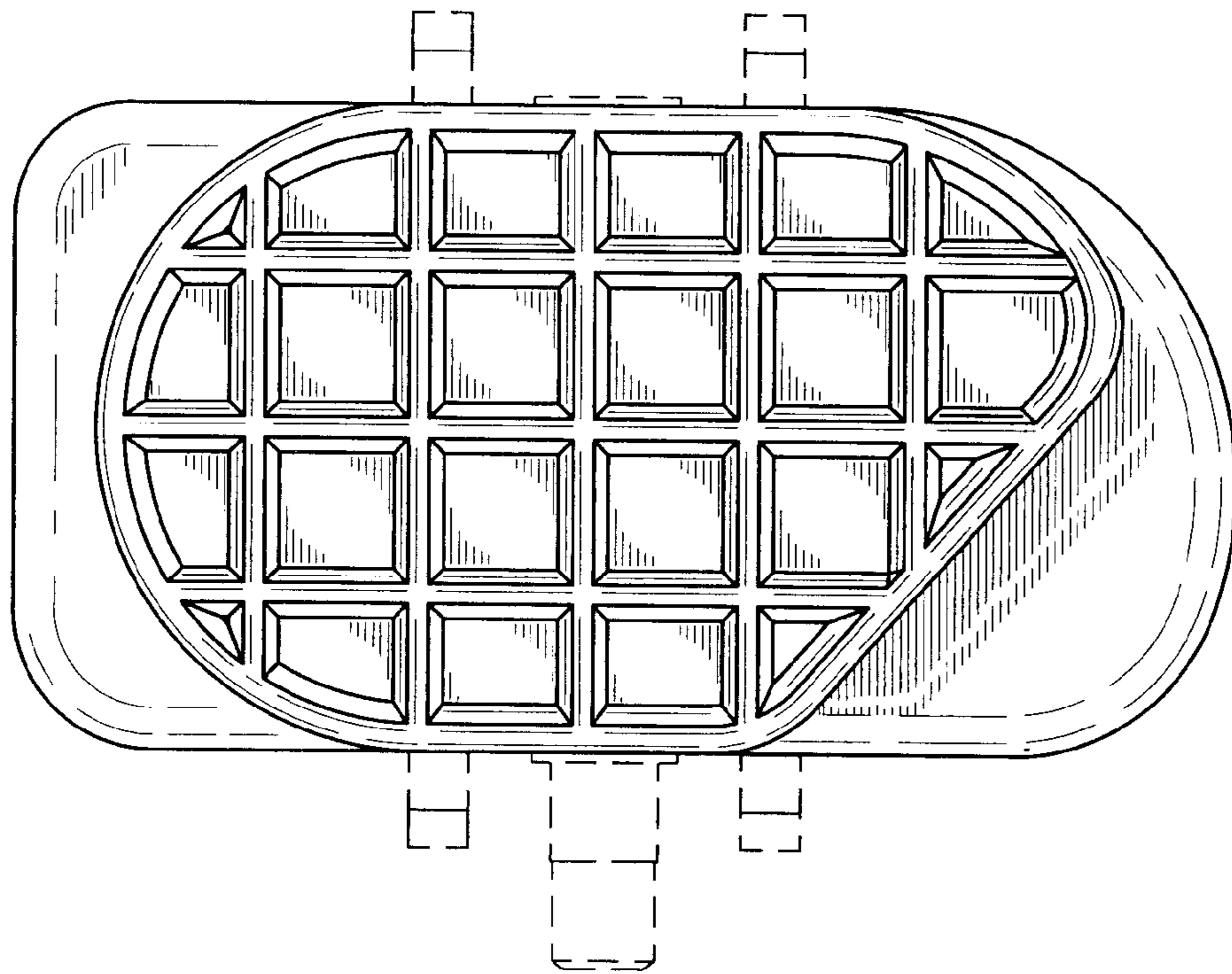


FIG-7

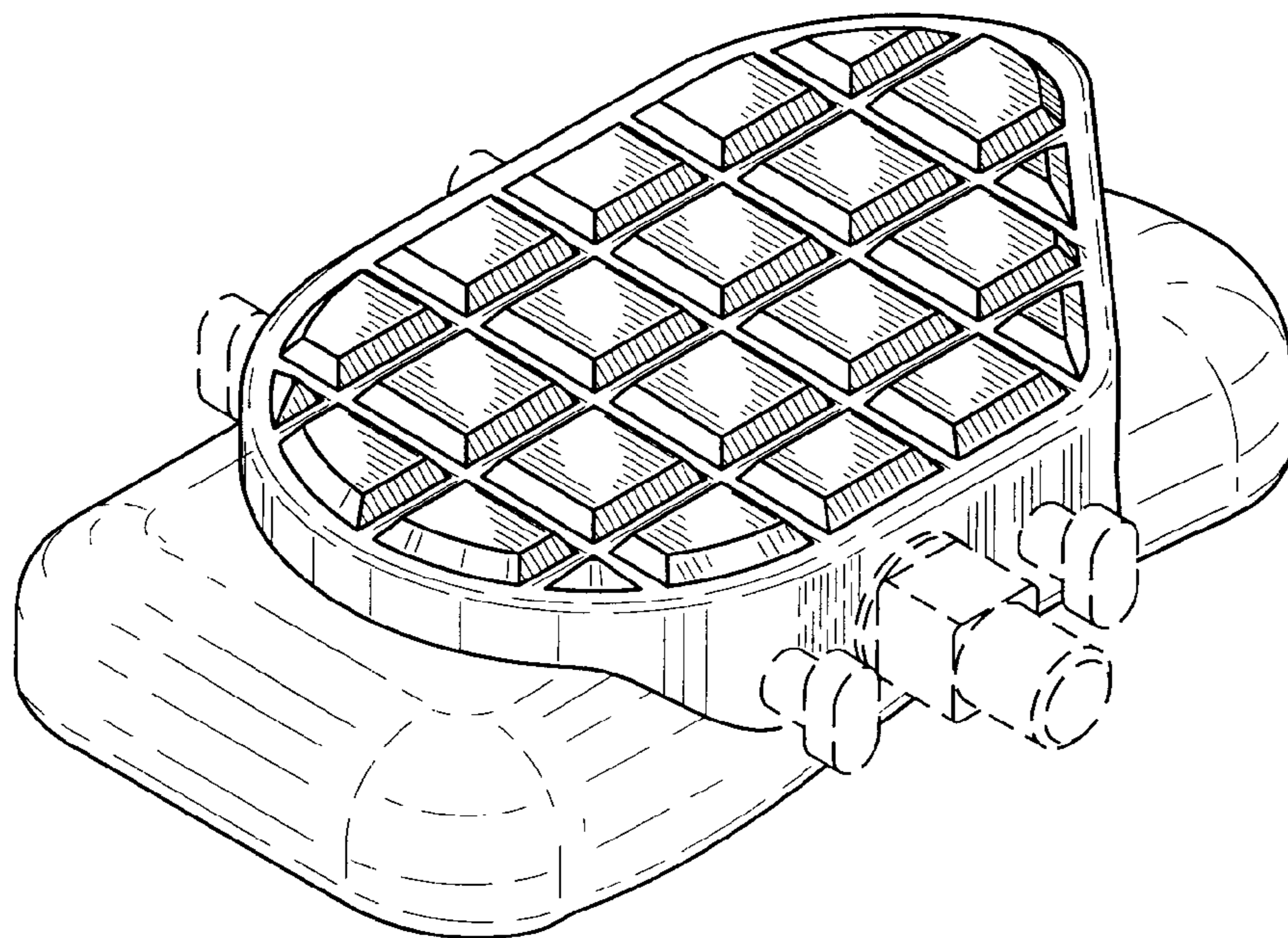


FIG-8