



US00D510959S

(12) **United States Design Patent**
Morrison

(10) **Patent No.:** **US D510,959 S**
(45) **Date of Patent:** **** Oct. 25, 2005**

(54) **ASSEMBLY OF GAMING MACHINES WITH AN UPPER SCREEN AREA**

D451,150 S * 11/2001 Hedrick et al. D21/370
D451,151 S * 11/2001 Hedrick et al. D21/370
D459,402 S * 6/2002 Wurz et al. D21/325

(75) **Inventor:** **Robert S. Morrison, Hoschton, GA (US)**

* cited by examiner

(73) **Assignee:** **Vision Gaming & Technology, Inc., Norcross, GA (US)**

Primary Examiner—Sandra L. Morris

(74) *Attorney, Agent, or Firm*—Sand & Sebolt

(**) **Term:** **14 Years**

(57) **CLAIM**

The ornamental design for the assembly of gaming machines with an upper screen area, as shown and described.

(21) **Appl. No.:** **29/175,814**

DESCRIPTION

(22) **Filed:** **Feb. 10, 2003**

(51) **LOC (8) Cl.** **21-03**

FIG. 1 is a perspective view of the assembly of the present invention;

(52) **U.S. Cl.** **D21/370**

FIG. 2 is a front elevational view of the assembly of the present invention;

(58) **Field of Search** D21/324–325,
D21/329, 369–371, 374, 385; 273/138.1;
463/16–17, 20, 46–47

FIG. 3 is a left side elevational view of the assembly of the present invention;

FIG. 4 is a right side elevational view of the assembly of the present invention; and,

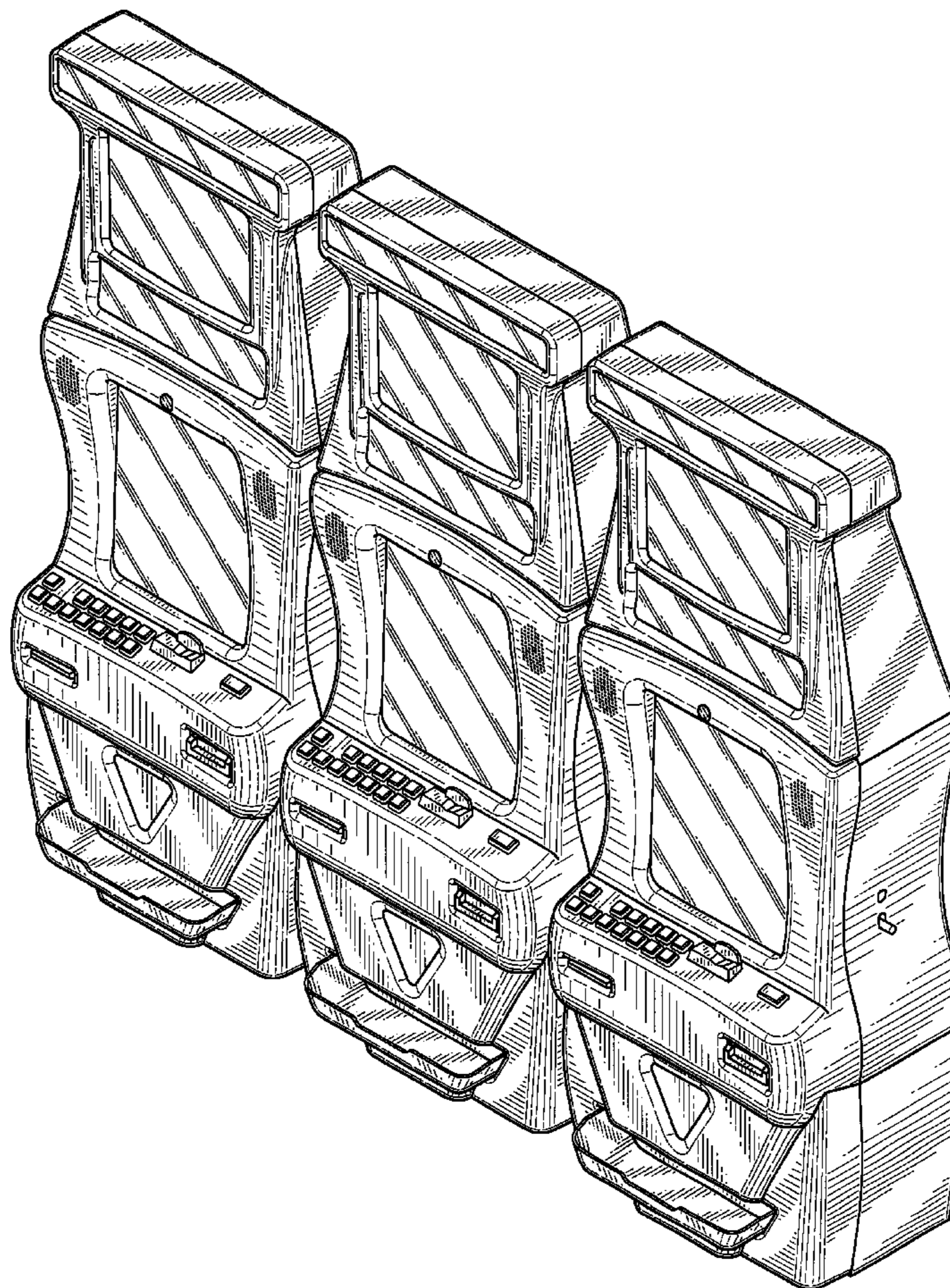
FIG. 5 is a rear elevational view of the assembly of the present invention.

(56) **References Cited**

U.S. PATENT DOCUMENTS

D400,597 S * 11/1998 Hedrick et al. D21/370
6,117,010 A * 9/2000 Canterbury et al. 463/20
D439,931 S * 4/2001 Yamaguchi D21/369

1 Claim, 4 Drawing Sheets



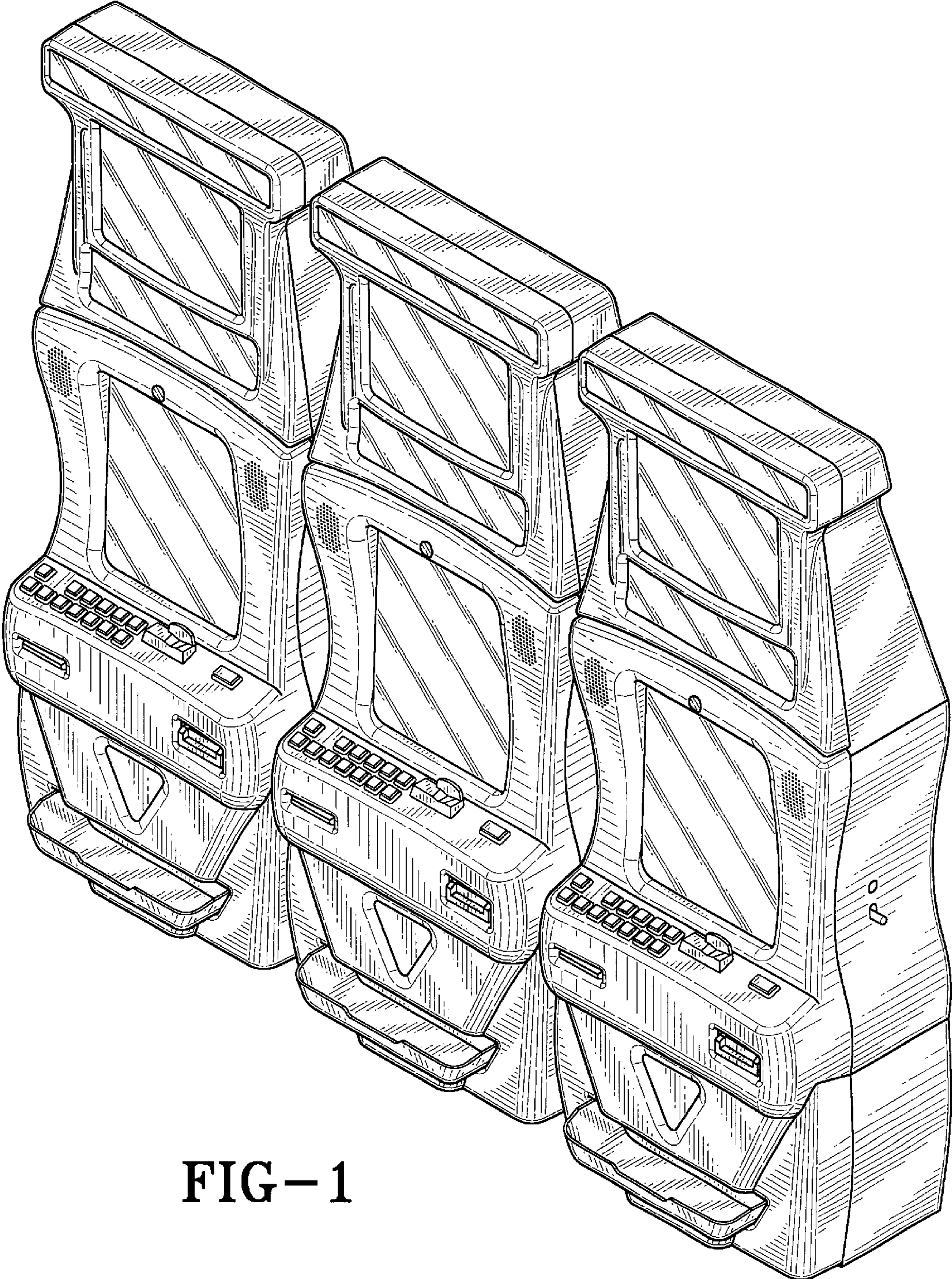


FIG-1

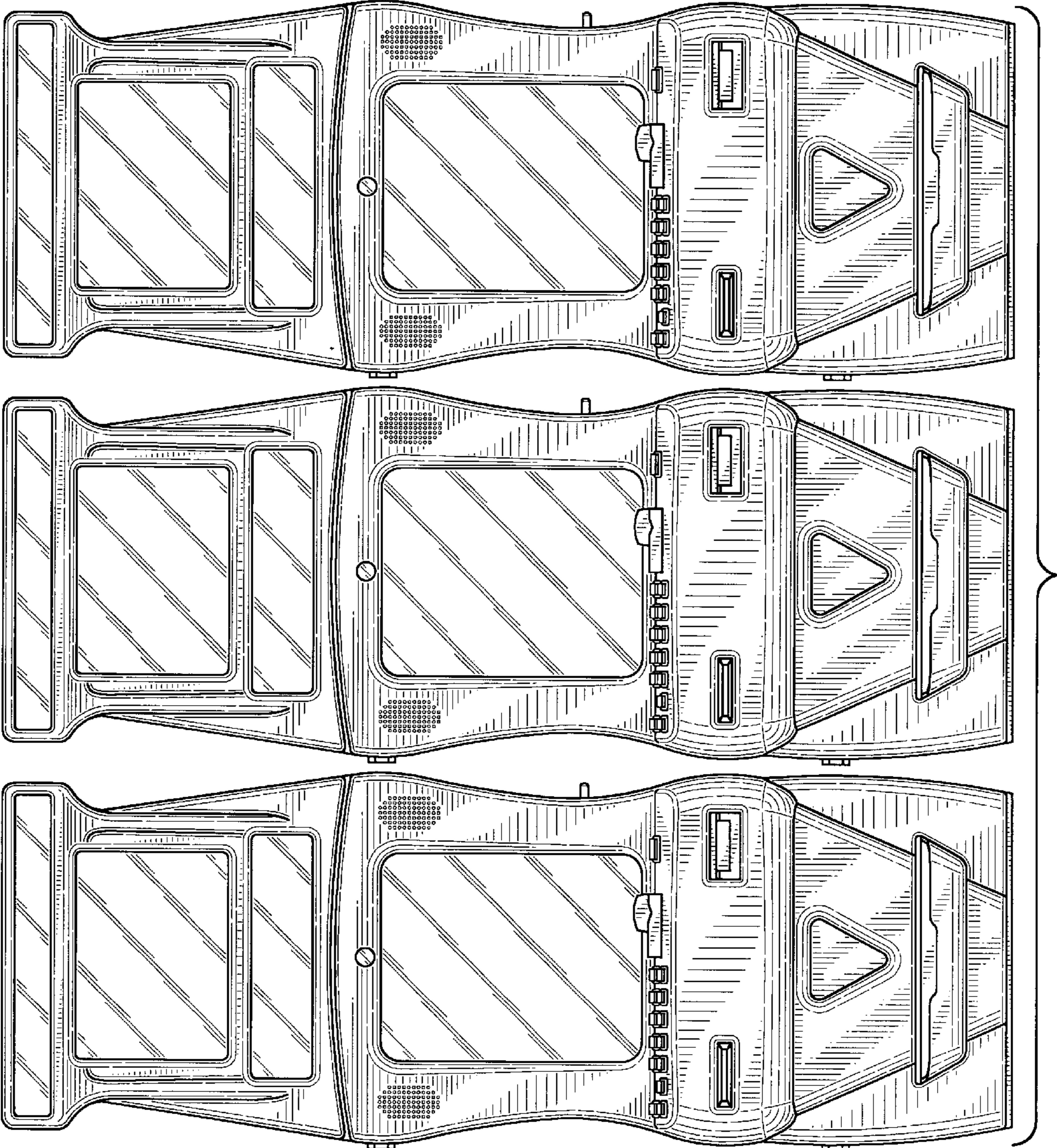


FIG-2

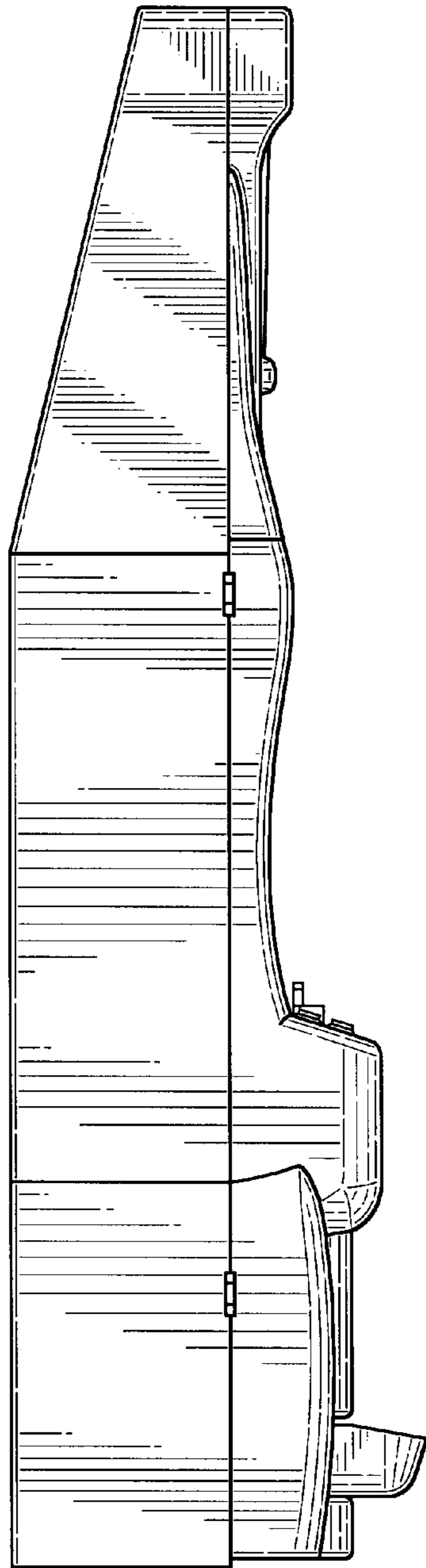


FIG-3

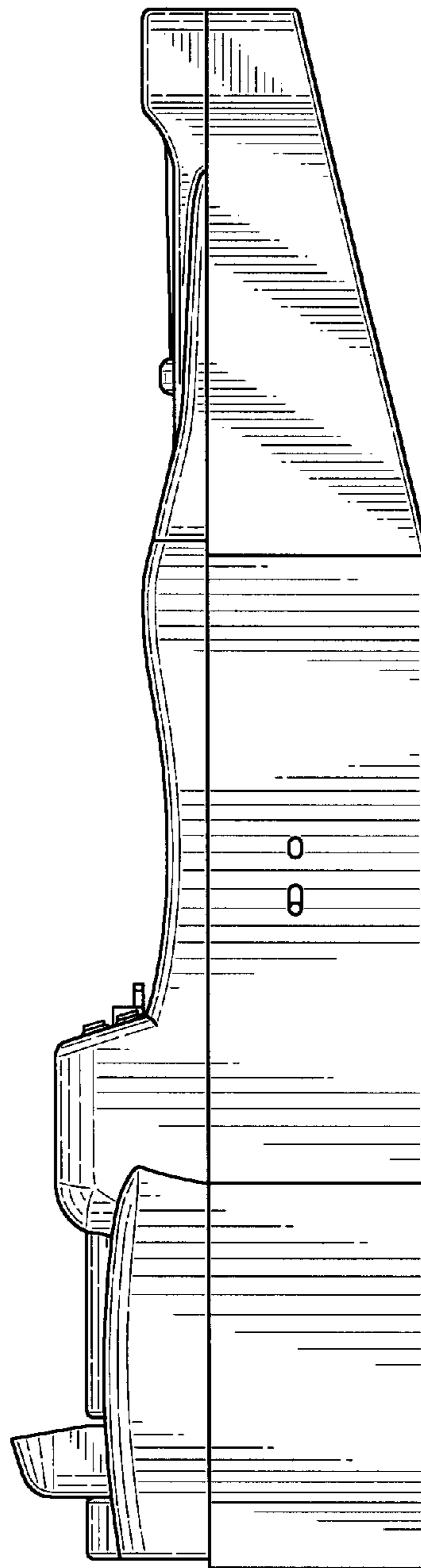


FIG-4

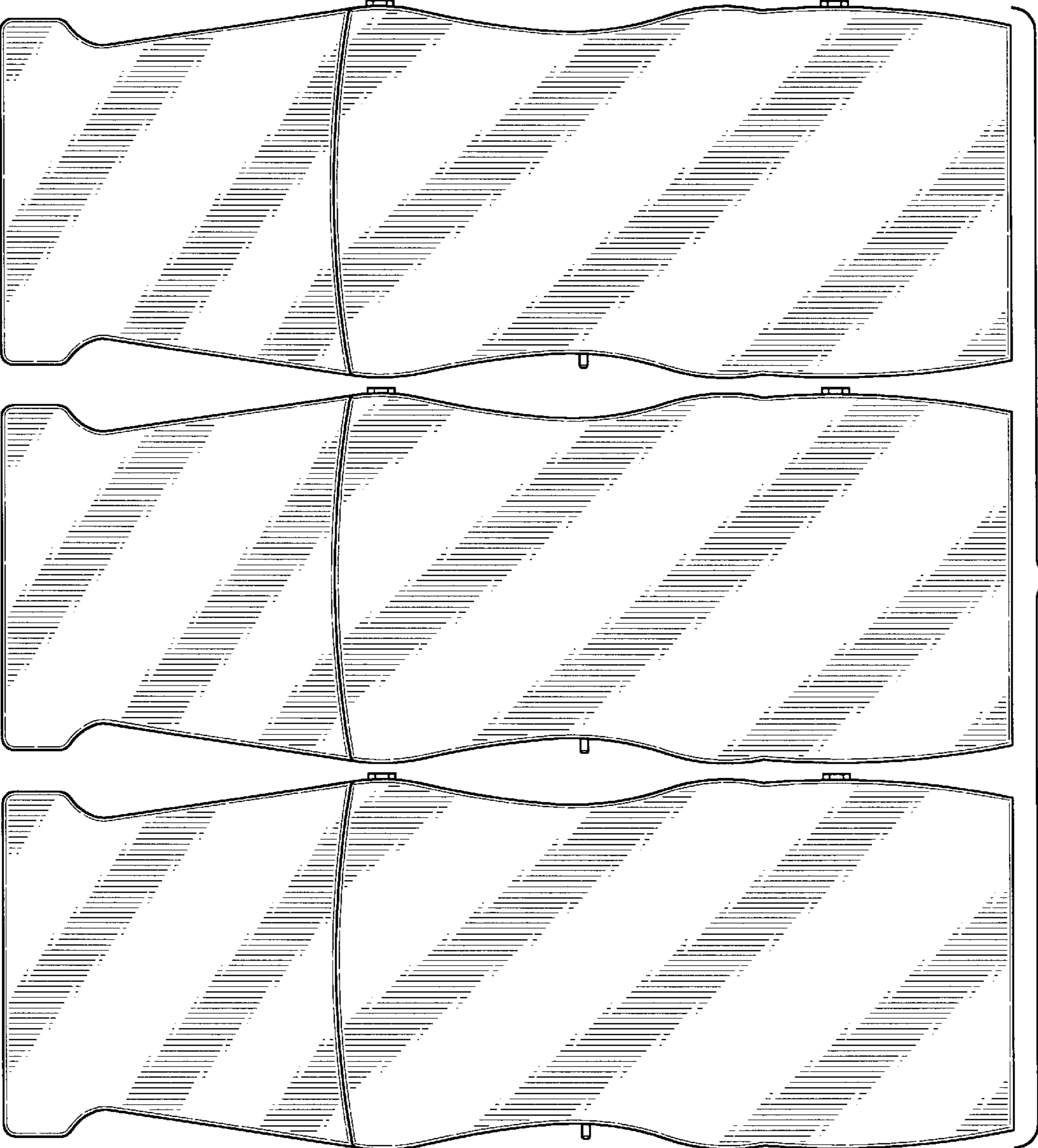


FIG-5