



US00D510954S

(12) **United States Design Patent** (10) **Patent No.:** **US D510,954 S**
Bieger (45) **Date of Patent:** **** Oct. 25, 2005**

- (54) **MAGNETIC PEN HOLDER WITH STATIONARY HOLDER**
- (75) Inventor: **Walter I Bieger**, St. Paul, MN (US)
- (73) Assignee: **Webb Business Promotions, Incorporated**, Rosemount, MN (US)
- (**) Term: **14 Years**
- (21) Appl. No.: **29/201,893**
- (22) Filed: **Mar. 22, 2004**
- (51) **LOC (8) Cl.** **19-06**
- (52) **U.S. Cl.** **D19/78; 84/86**
- (58) **Field of Search** D19/35, 36, 65, D19/75, 78, 81-86, 92, 95, 99, 100; 401/52, 131, 195; 211/69.1-69.9, 10, 11, 13.1; 206/214, 215, 224, 371

(56) **References Cited**

U.S. PATENT DOCUMENTS

2,693,788 A	11/1954	Spatz	
3,139,865 A	7/1964	Aimes	
D246,530 S	* 11/1977	Zeischegg D19/75
D252,935 S	* 9/1979	Henkels D19/77
D263,244 S	* 3/1982	Laughlin D19/77
D275,401 S	* 9/1984	Henkels D19/75
4,643,604 A	* 2/1987	Enrico 401/131
D304,460 S	* 11/1989	Holterscheidt D19/77

OTHER PUBLICATIONS

- “Baseball pen, magnetic pen holder, baseball bat” Picture 1, <http://www.promoplace.com/ws/webstore.dll>, 2 pages (Date printed Dec. 22, 2003).
- “Mega magnetic set, magnetic pen holder, 6 silver bullets, pen,” Picture 2, <http://www.promoplace.com/ws/webstore.dll>, 2 pages (Date printed Dec. 22, 2003).
- “Duo magnetism, magnetic pen holder, 2 pen,” Picture 3, <http://www.promoplace.com/ws/webstore.dll>, 2 pages (Date printed Dec. 22, 2003).
- “Pen and holder,” Picture 4, <http://www.promoplace.com/ws/webstore.dll>, 1 page (Date printed Jan. 22, 2004).

- “Tumbling Pen, semi sphere holder, magnetic,” Picture 5, <http://www.promoplace.com/ws/webstore.dll>, 2 pages (Date printed Dec. 22, 2003).
- “Magnetic pen holder, post it holder,” Picture 6, <http://www.promoplace.com/ws/webstore.dll>, 2 pages (Date printed Dec. 22, 2003).
- “Card holder and pen holder,” Picture 7, <http://www.promoplace.com/ws/webstore.dll>, 1 page (Date printed Jan. 22, 2004).
- “Pen and holder,” Picture 8, <http://www.promoplace.com/ws/webstore.dll>, 1 page (Date printed Jan. 22, 2004).
- “Pen holder and stationery holder,” Picture 9, <http://www.promoplace.com/ws/webstore.dll>, 1 page (Date printed Jan. 22, 2004).
- “Golf pen, magnetic pen holder, grip,” Picture 10, <http://www.promoplace.com/ws/webstore.dll>, 2 pages (Date printed Dec. 22, 2003).
- “Magnetic pen and vertical slide key tag,” Picture 11, <http://www.promomart.com/cgi-bin/detail.asp>, 2 pages (Date printed Jan. 22, 2004).

(Continued)

Primary Examiner—Martie K. Holtje
(74) *Attorney, Agent, or Firm*—Merchant & Gould P.C.

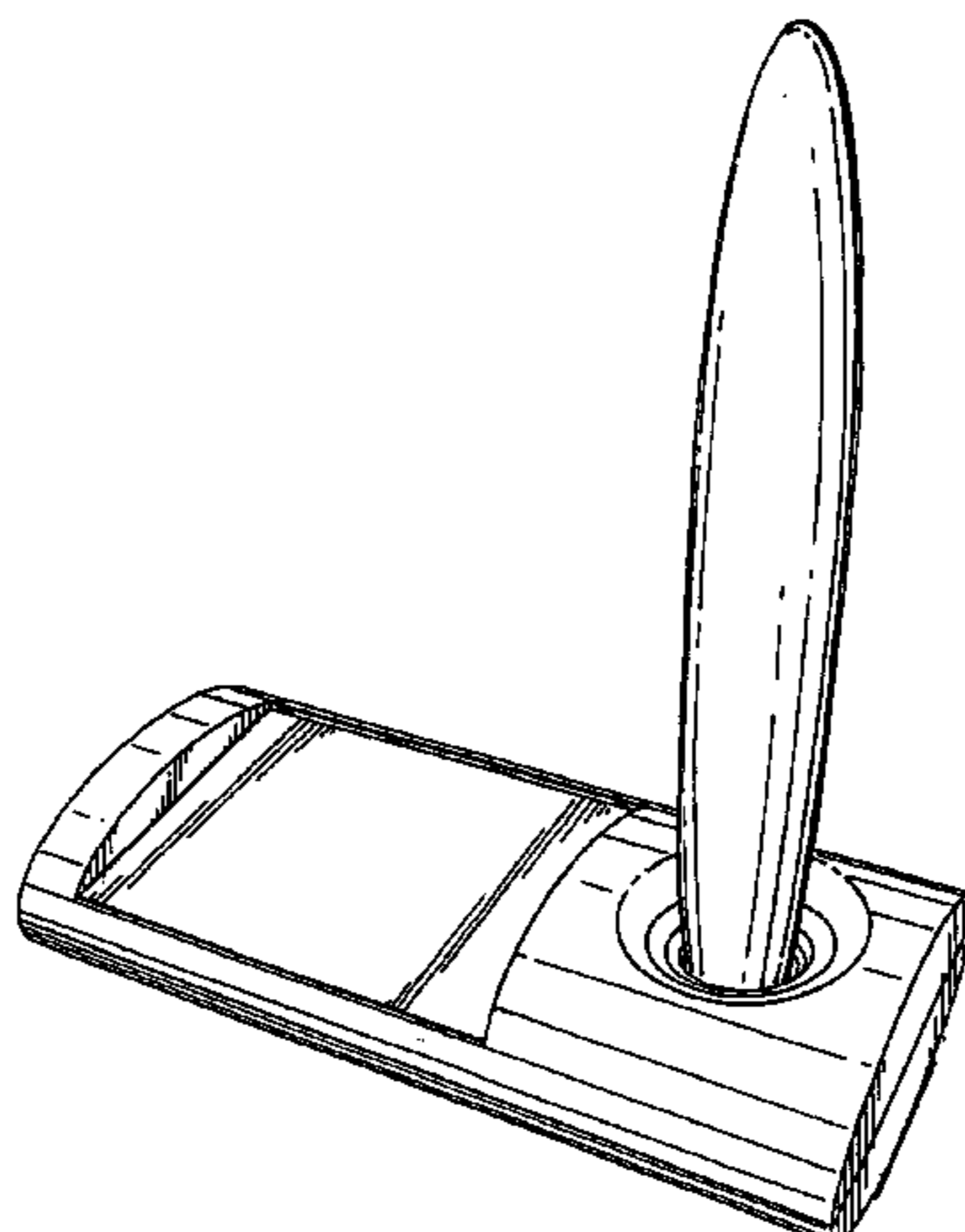
(57) **CLAIM**

The ornamental design for a magnetic pen holder with stationary holder, as shown and described.

DESCRIPTION

FIG. 1 is a top, front perspective view of a magnetic pen holder with stationary holder made in accordance with my new design;
 FIG. 2 is a top view of the embodiment of FIG. 1;
 FIG. 3 is a front view of the embodiment of FIG. 1, with the back view being the mirror image of the front view;
 FIG. 4 is a bottom view of the embodiment of FIG. 1; and,
 FIG. 5 is a left side view of the embodiment of FIG. 1, with the right side view being the mirror image of the left side view.

1 Claim, 3 Drawing Sheets



OTHER PUBLICATIONS

“Metal target pen in magnetic metal base,” Picture 12, <http://www.promomart.com/cgi-bin/detail.asp>, 1 page (Date printed Jan. 22, 2004).

“Metal gear pen in magnetic base,” Picture 13, <http://www.promomart.com/cgi-bin/detail.asp>, 1 page (Date printed Jan. 22, 2004).

“Floating pen in magnetic base,” Picture 14, <http://www.promomart.com/cgi-bin/detail.asp>, 1 page (Date printed Jan. 22, 2004).

“Magnetic Floating Pen with Clock,” Picture 15, <http://www.promohut.com/index.php>, 2 pages (Date printed Jan. 22, 2004).

“Magnetic iMag Pen with Holder,” Picture 16, <http://www.promohut.com/index.php>, 2 pages (Date printed Jan. 22, 2004).

* cited by examiner

FIG. 1

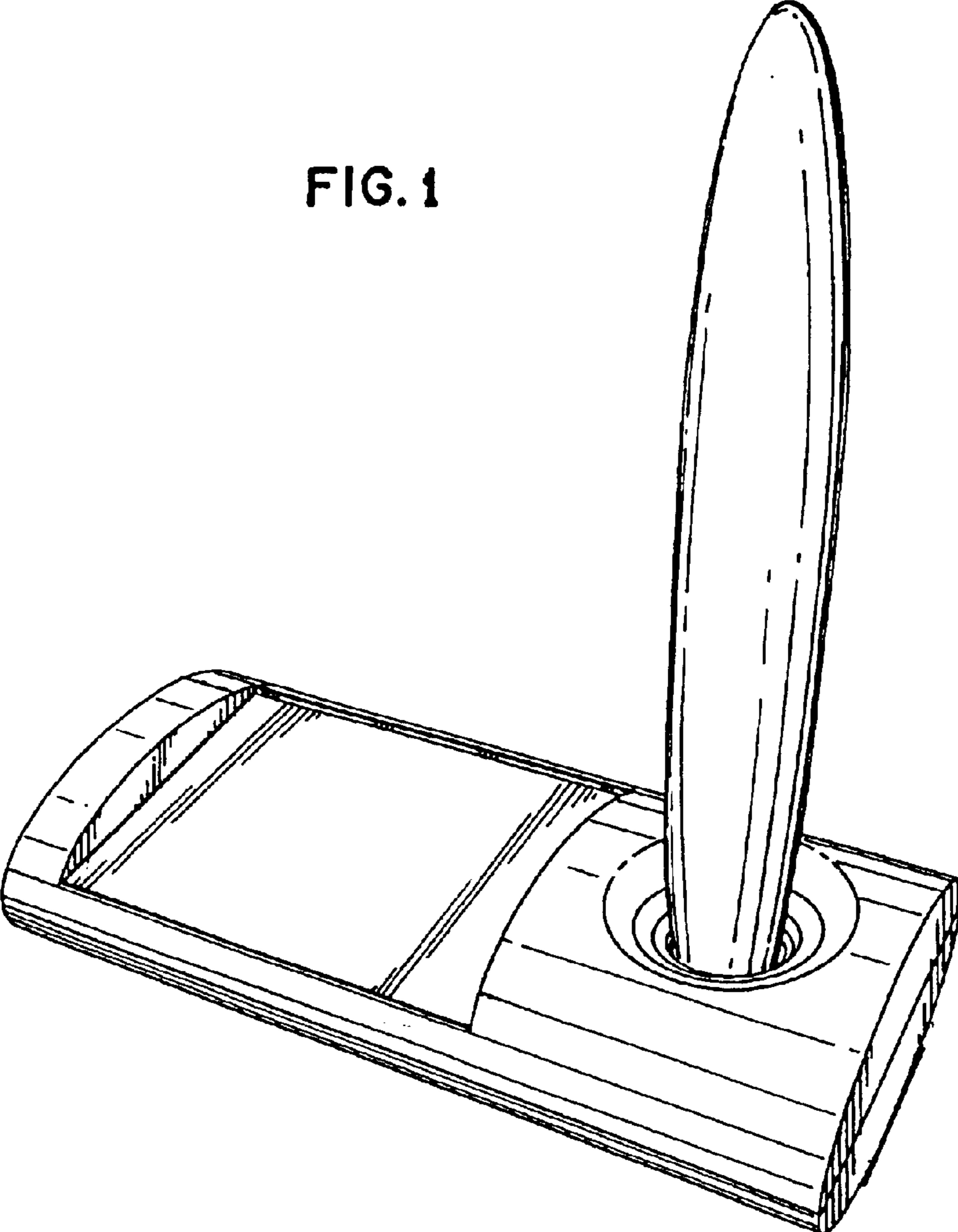


FIG. 2

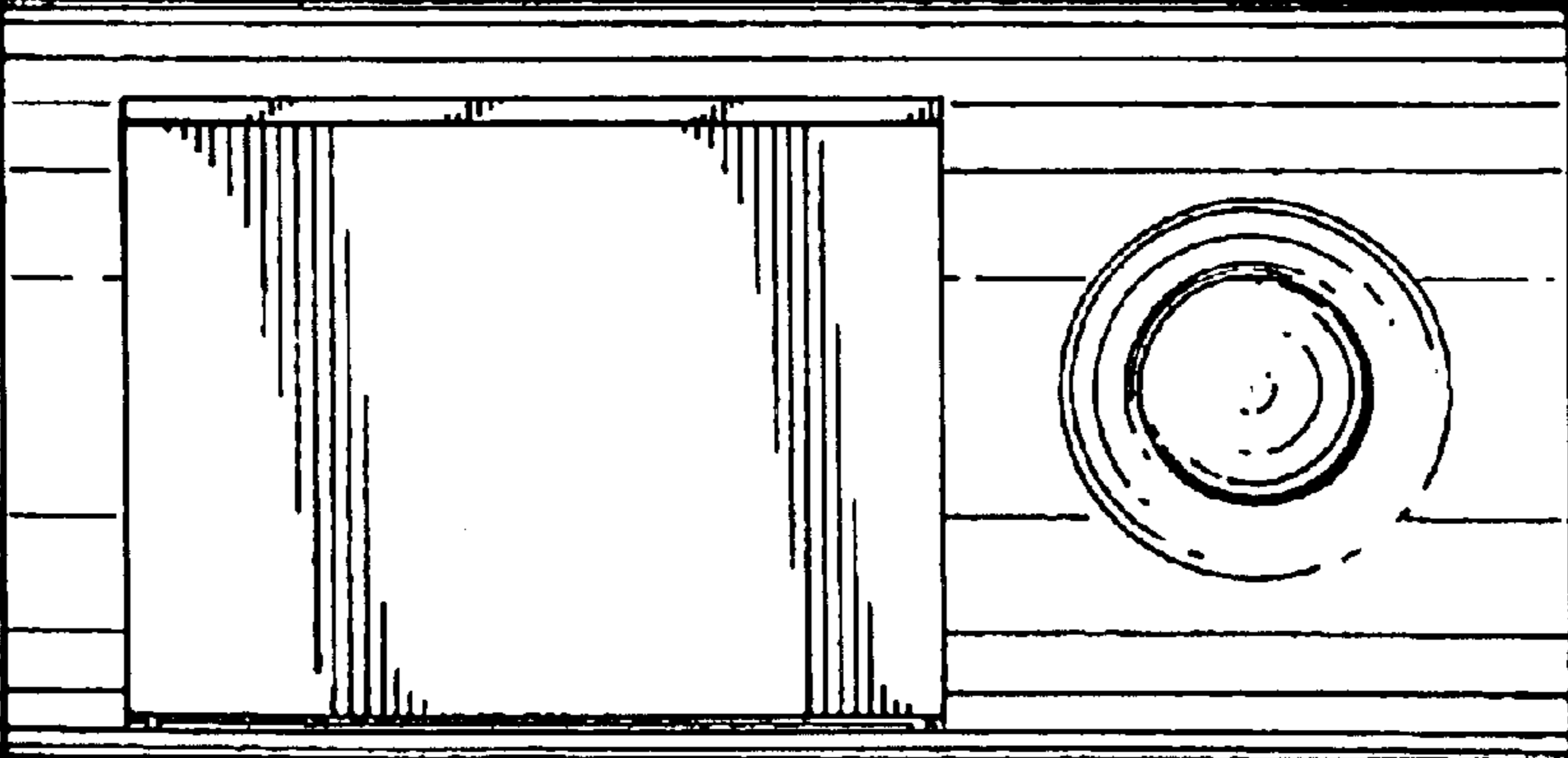


FIG. 3

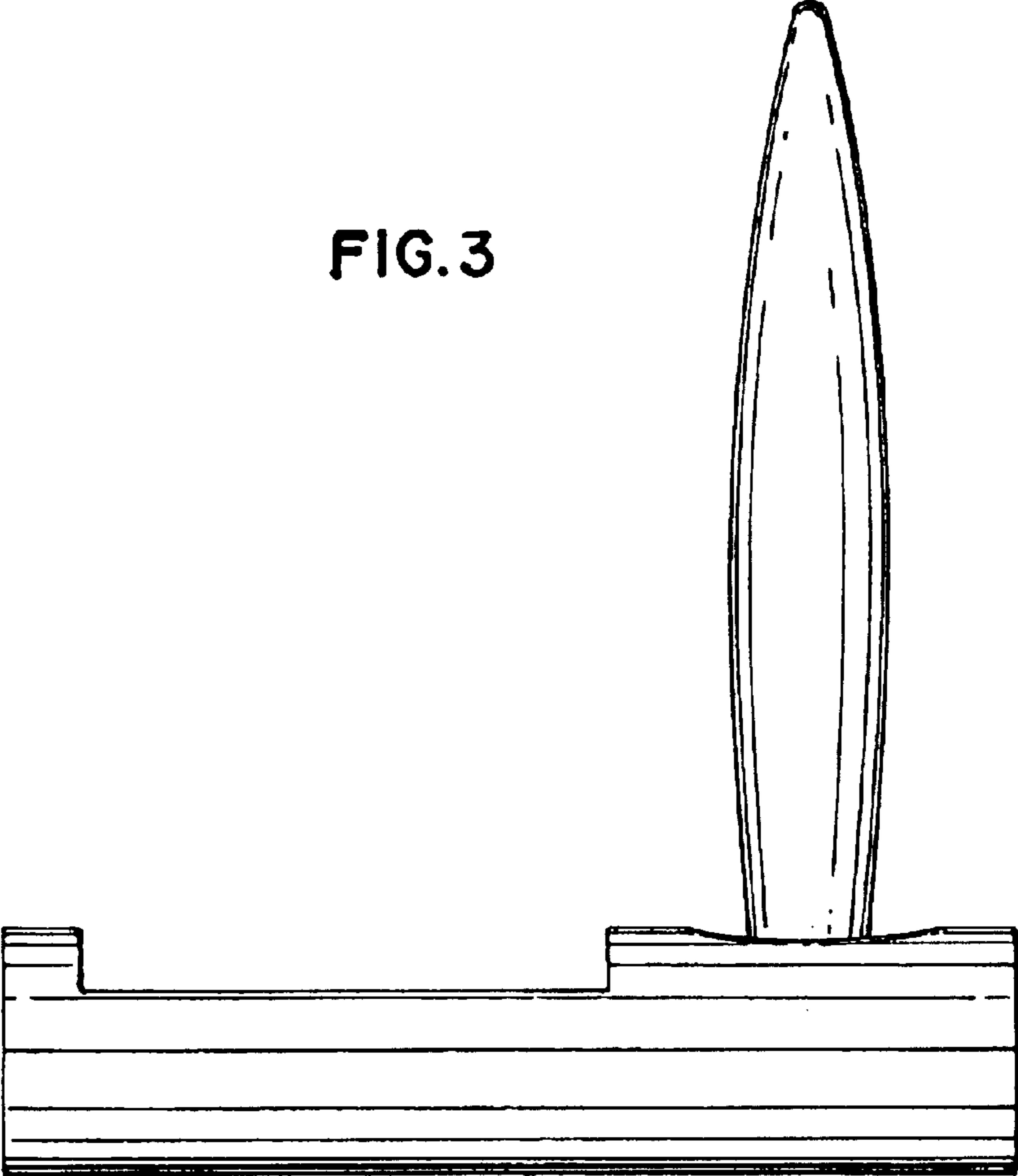
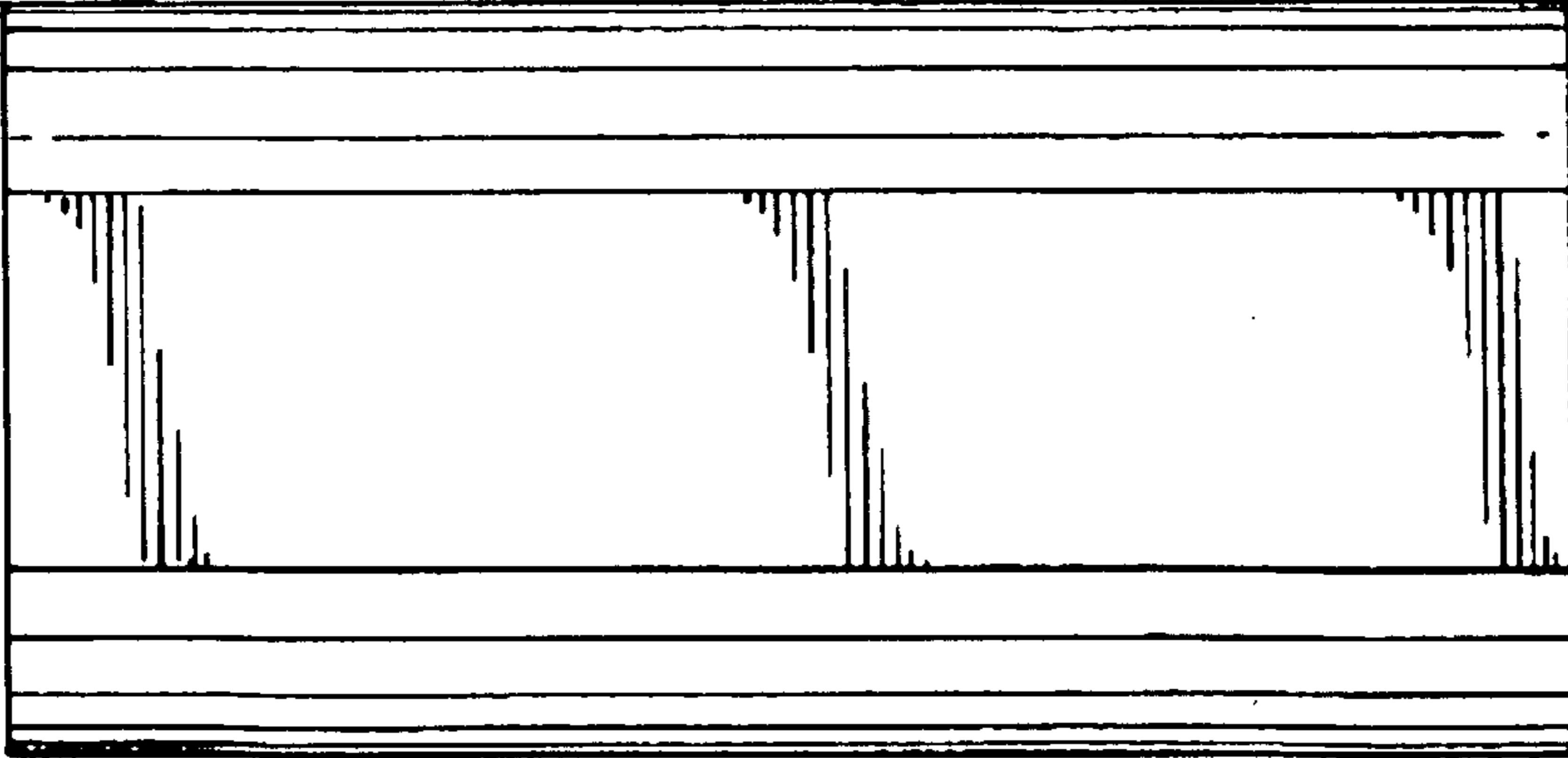


FIG. 4



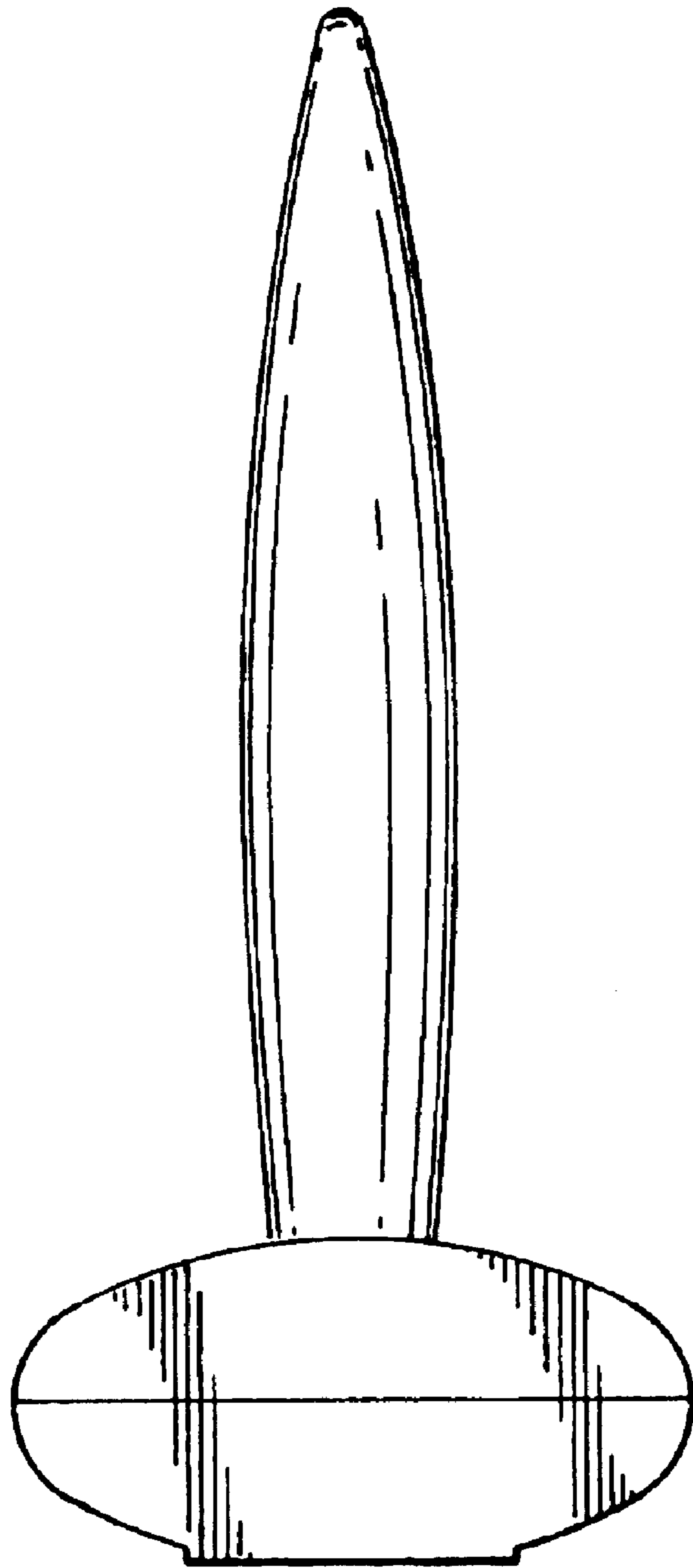


FIG. 5