

US00D510949S

(12) **United States Design Patent**
Whittington et al.

(10) **Patent No.: US D510,949 S**

(45) **Date of Patent: ** Oct. 25, 2005**

(54) **BOOK COVER**

(75) Inventors: **Jeffrey L. Whittington**, Crawfordsville, IN (US); **Robert E. Harvey**, Waveland, IN (US)

(73) Assignee: **R.R. Donnelley & Sons Co.**, Chicago, IL (US)

(**) Term: **14 Years**

(21) Appl. No.: **29/200,474**

(22) Filed: **Feb. 27, 2004**

(51) **LOC (8) Cl.** **19-04**

(52) **U.S. Cl.** **D19/26**

(58) **Field of Search** D3/303; D19/26, D19/27, 28, 29, 30, 31, 32, 33; 281/3.1, 15.1, 21.1, 22, 29, 30, 31, 32, 35, 37, 45, 51; 283/42, 52.1, 63.1, 64; 402/4, 73

(56) **References Cited**

U.S. PATENT DOCUMENTS

2,788,041	A	*	4/1957	Carver	281/15.1
2,852,275	A	*	9/1958	Brook	281/31
3,159,327	A	*	12/1964	Feather	281/29
D290,138	S	*	6/1987	Norris	D19/27
D333,318	S	*	2/1993	York	D19/26
D352,604	S	*	11/1994	Johnson	D3/303
D383,492	S		9/1997	Siemon et al.	D19/26
D393,656	S		4/1998	Bear et al.	D19/26
D396,489	S		7/1998	Siemon et al.	D19/26
D413,922	S	*	9/1999	Thomas	D19/26
D417,889	S		12/1999	French	D19/26
D426,262	S		6/2000	Humphrey	D19/26
D434,938	S	*	12/2000	Hillman	D6/633

D456,841	S	*	5/2002	Bock	D19/26
6,485,060	B2	*	11/2002	Nada et al.	281/45
6,499,767	B1	*	12/2002	Takemura	281/33

OTHER PUBLICATIONS

NIV Backpack Bible (drawing), 2003, 3 sheets.

* cited by examiner

Primary Examiner—Jeffrey Asch

Assistant Examiner—Elizabeth Albert

(74) *Attorney, Agent, or Firm*—Hanley, Flight & Zimmerman, LLC

(57) **CLAIM**

The ornamental design for a book cover, as shown and described.

DESCRIPTION

FIG. 1 is a top, front, trimetric view of a book cover applied to a book, the book being depicted in broken lines for illustrative purposes only and forming no part of the claimed design;

FIG. 2 is a top plan view of the book cover of FIG. 1 on a reduced scale;

FIG. 3 is a bottom plan view of the book cover of FIG. 2; FIG. 4 is a front elevational view of the book cover of FIG. 2;

FIG. 5 is a rear elevational view of the book cover of FIG. 2;

FIG. 6 is a right side elevational view of the book cover of FIG. 2; and,

FIG. 7 is a left side elevational view of the book cover of FIG. 2.

1 Claim, 3 Drawing Sheets

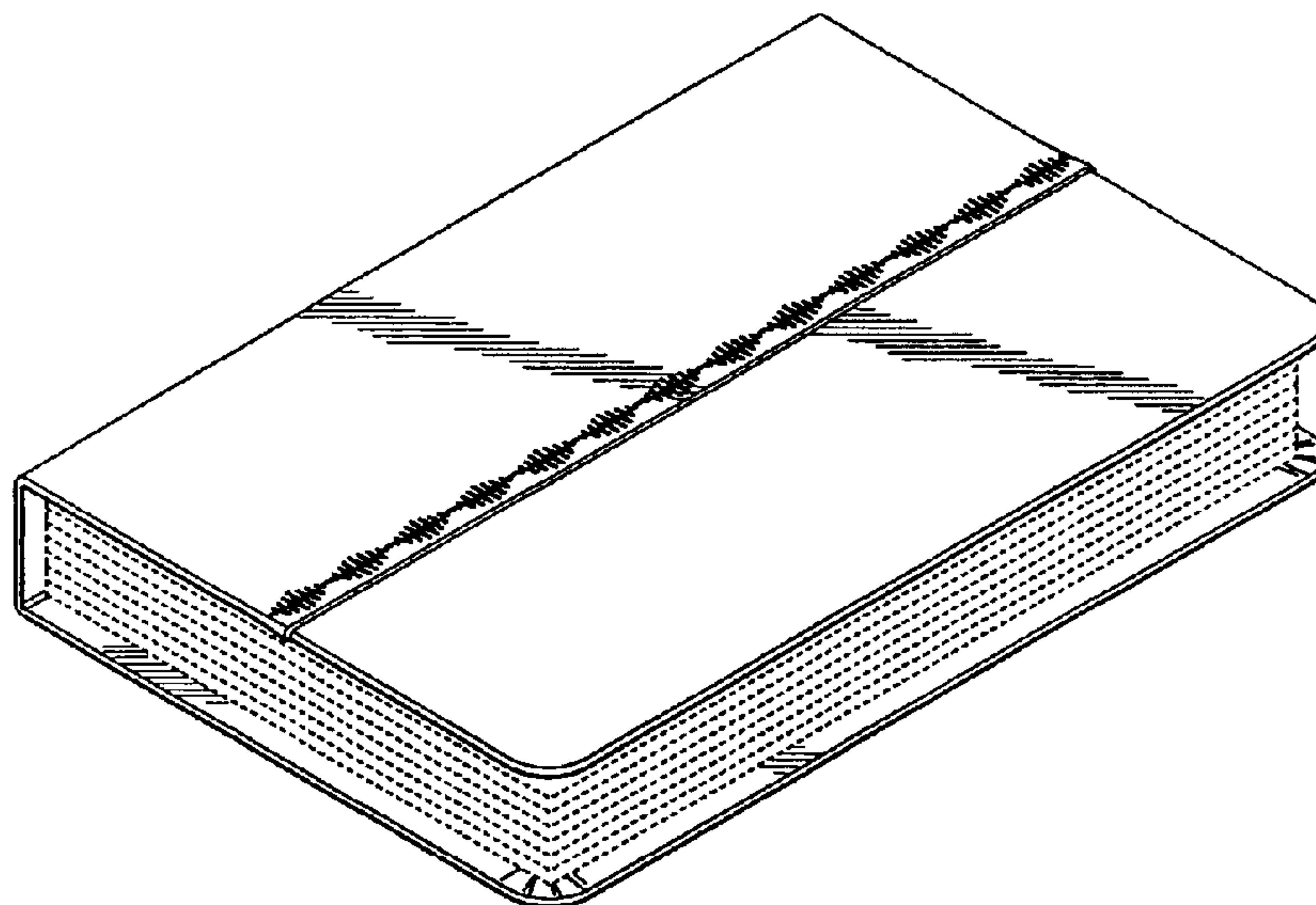


Fig. 1

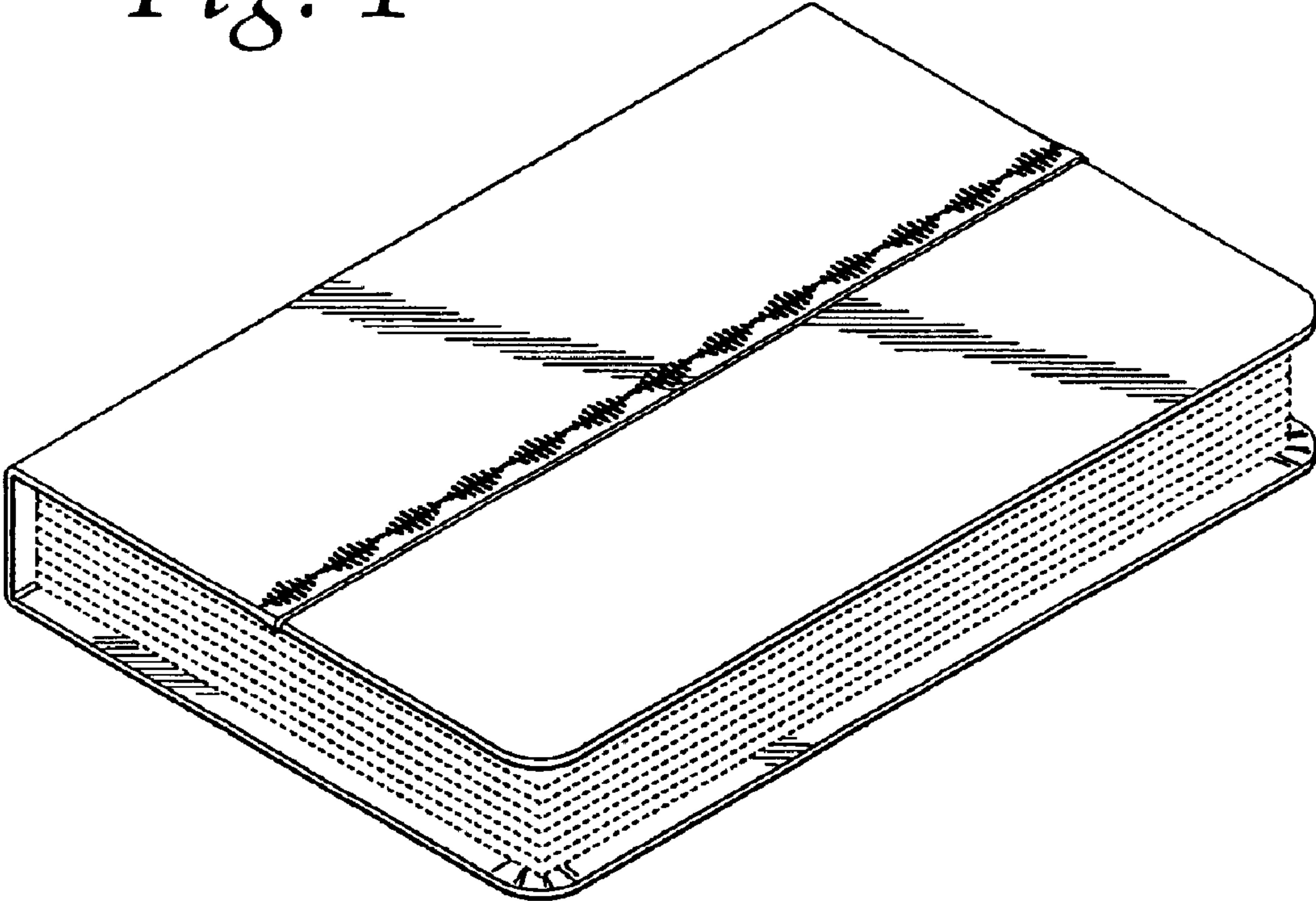


Fig. 2

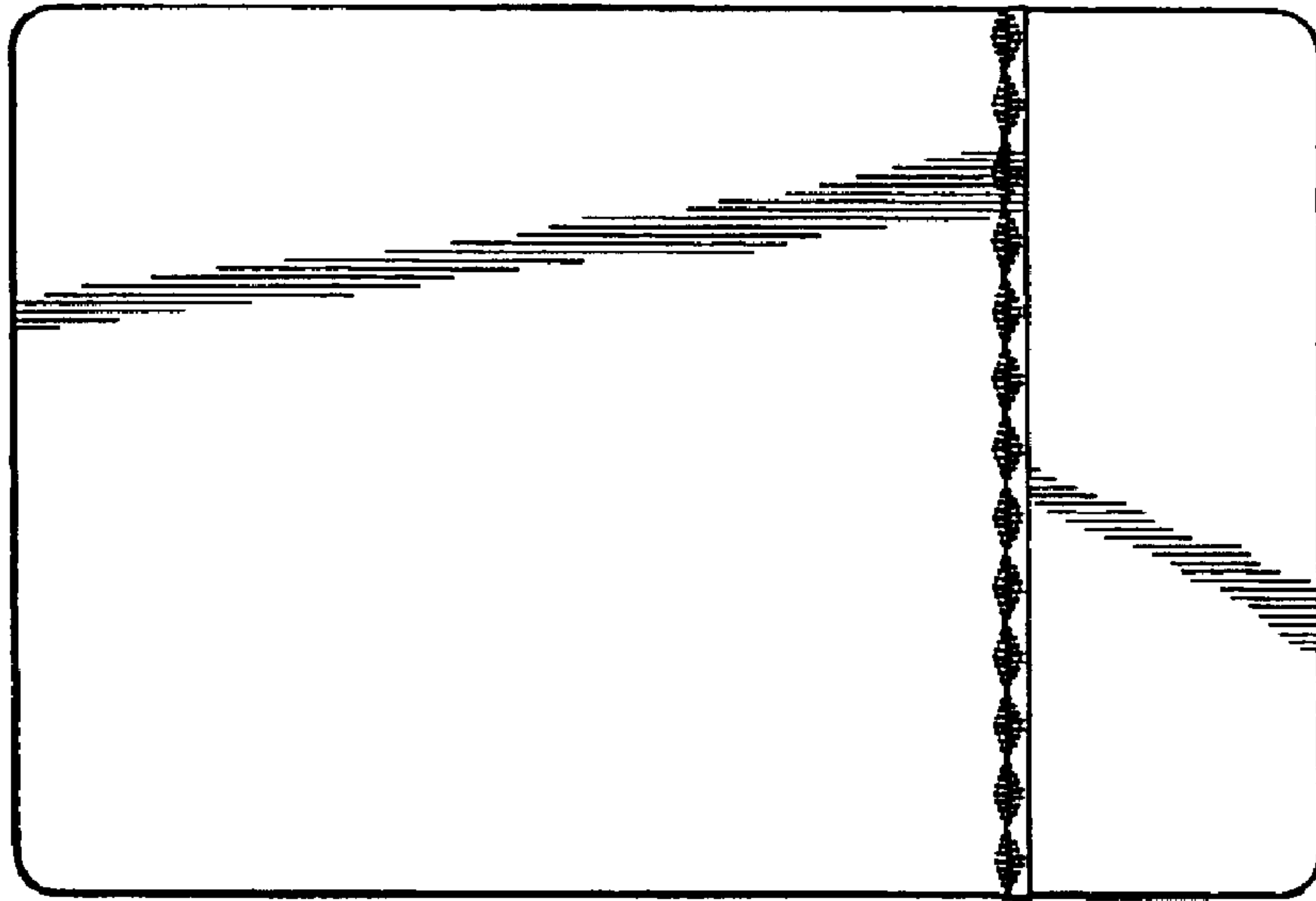


Fig. 3

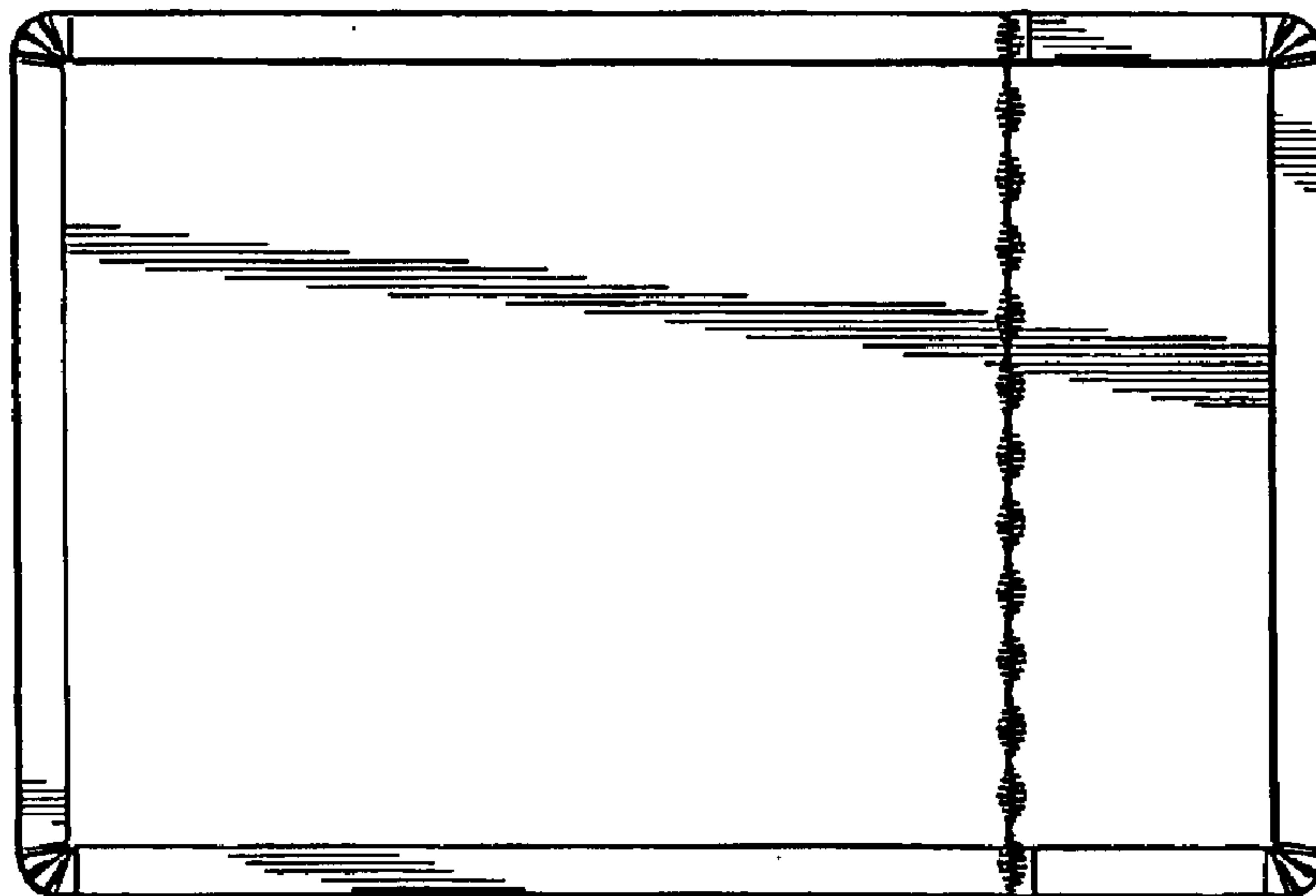


Fig. 4



Fig. 5



Fig. 6



Fig. 7

