



US00D510945S

(12) **United States Design Patent**
Do

(10) **Patent No.:** **US D510,945 S**

(45) **Date of Patent:** **** Oct. 25, 2005**

(54) **CAMERA LENS**

(75) **Inventor:** **Satoshi Do, Asaka (JP)**

(73) **Assignee:** **Milestone Co., Ltd., Tokyo (JP)**

(**) **Term:** **14 Years**

(21) **Appl. No.:** **29/188,602**

(22) **Filed:** **Aug. 21, 2003**

(30) **Foreign Application Priority Data**

Feb. 25, 2003 (JP) 2003-004488

(51) **LOC (8) Cl.** **16-06**

(52) **U.S. Cl.** **D16/134; D16/219**

(58) **Field of Search** D16/134, 136,
D16/219, 237; 359/703, 704, 811, 815,
819, 826, 827, 828; 396/529-532

(56) **References Cited**

U.S. PATENT DOCUMENTS

D235,800 S * 7/1975 Van Exel D16/134
D238,513 S * 1/1976 Van Exel D16/134
5,249,082 A * 9/1993 Newman 359/827

D496,379 S * 9/2004 Do D16/134
2002/0114085 A1 * 8/2002 Hattori et al. 359/811
2002/0167741 A1 * 11/2002 Koiwai et al. 359/819

* cited by examiner

Primary Examiner—Adir Aronovich

(74) *Attorney, Agent, or Firm*—Venable; James R. Burdett

(57) **CLAIM**

The ornamental design for a camera lens, as shown and described.

DESCRIPTION

FIG. 1 is an enlarged perspective elevational view of a camera lens showing my new design;
FIG. 2 is an enlarged front elevational view thereof;
FIG. 3 is an enlarged rear elevational view thereof;
FIG. 4 is an enlarged top plan view thereof;
FIG. 5 is an enlarged bottom plan view thereof;
FIG. 6 is an enlarged left side elevational view thereof;
FIG. 7 is an enlarged right side elevational view thereof;
and,
FIG. 8 is an enlarged cross-sectional elevational view taken on line 8—8 of FIG. 2.

1 Claim, 2 Drawing Sheets

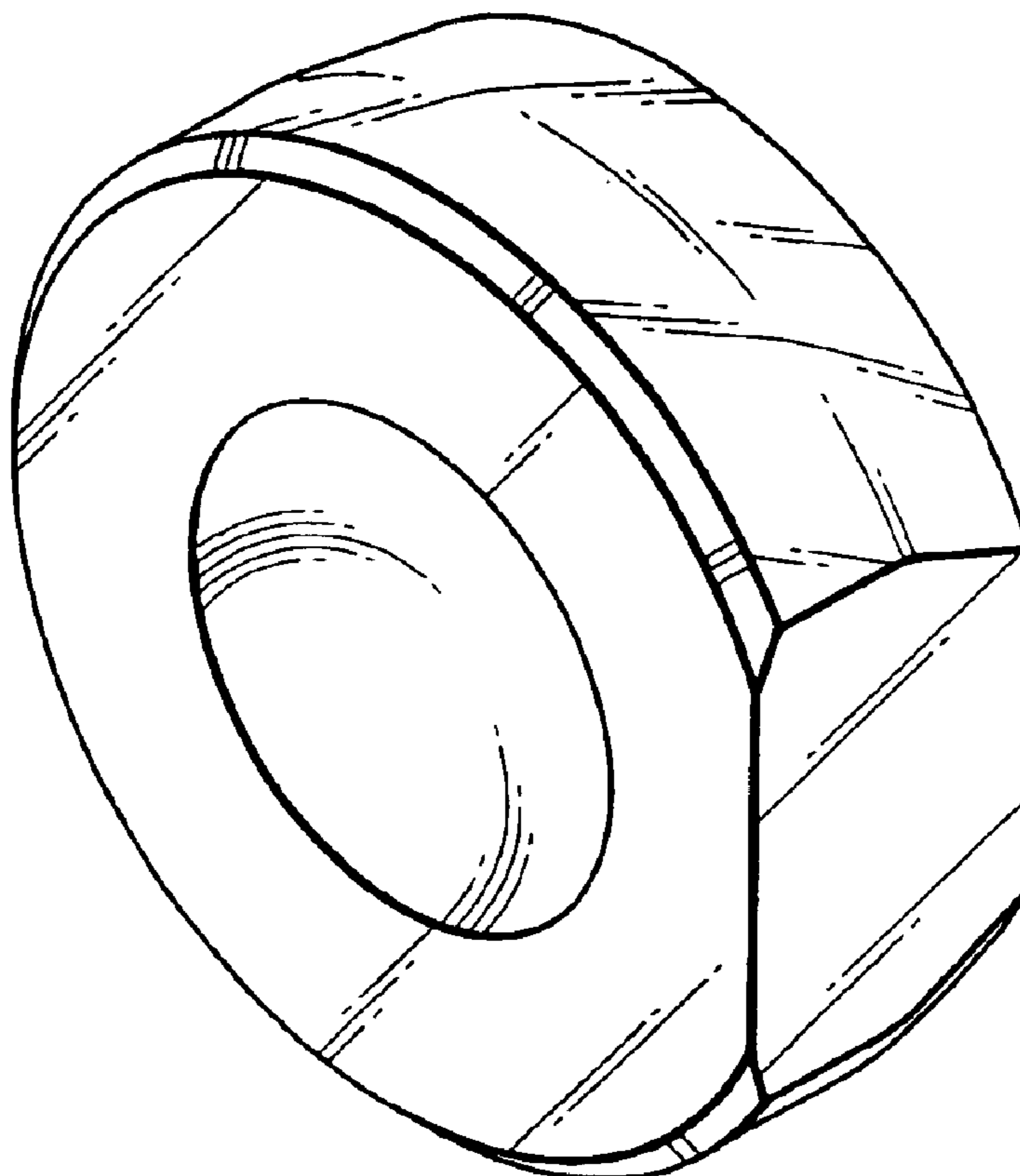


FIG. 1

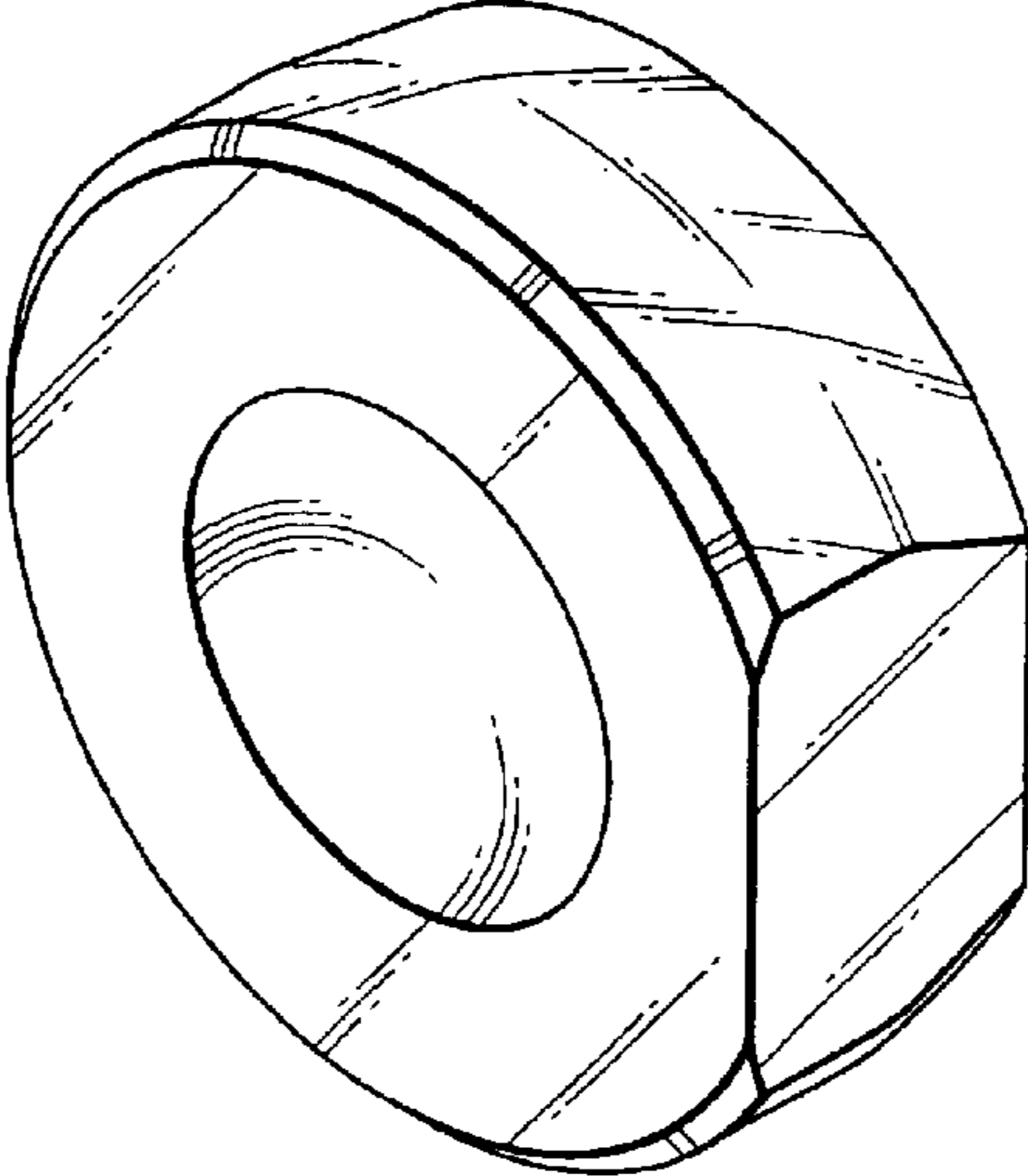


FIG. 2

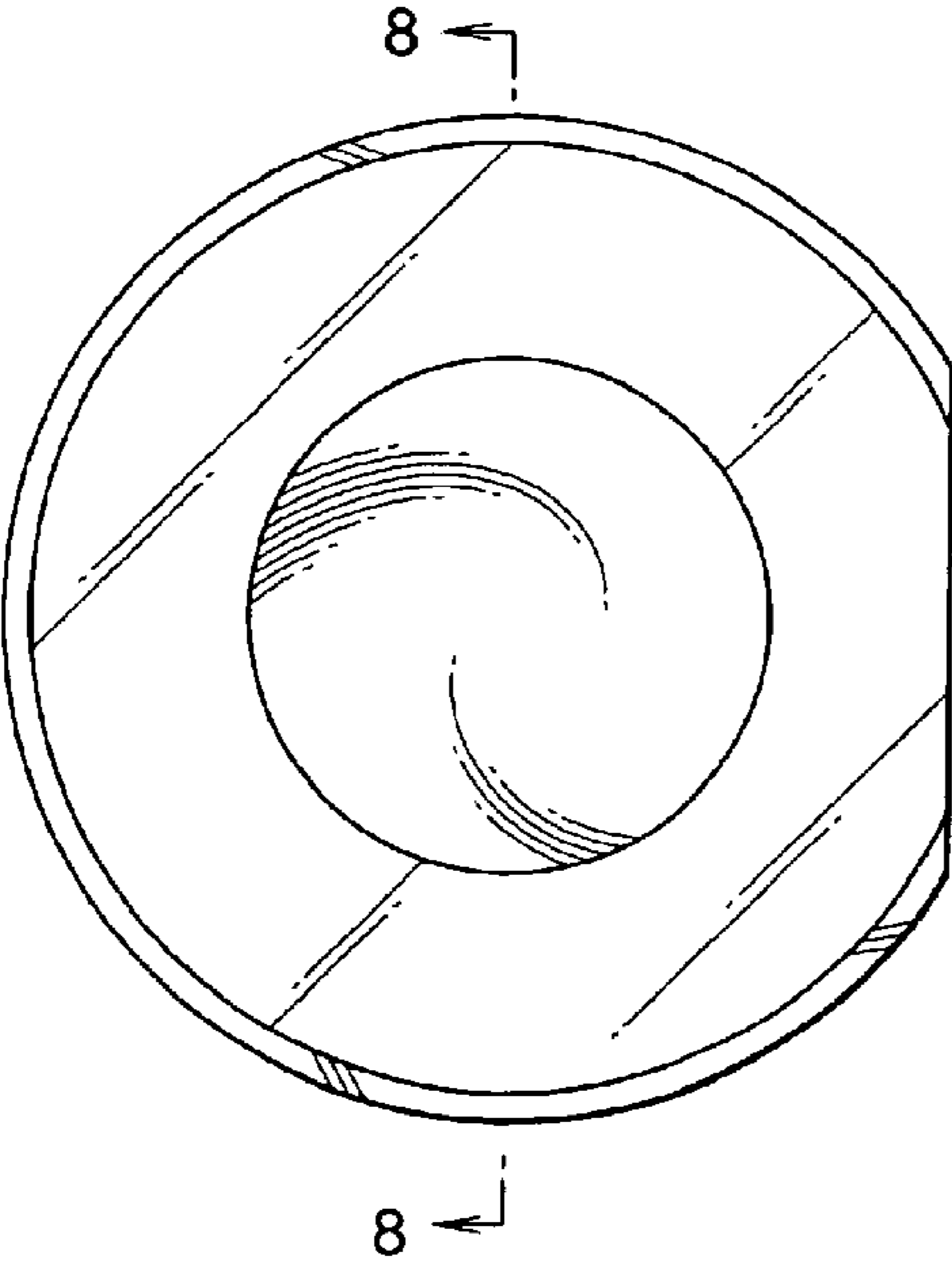


FIG. 3

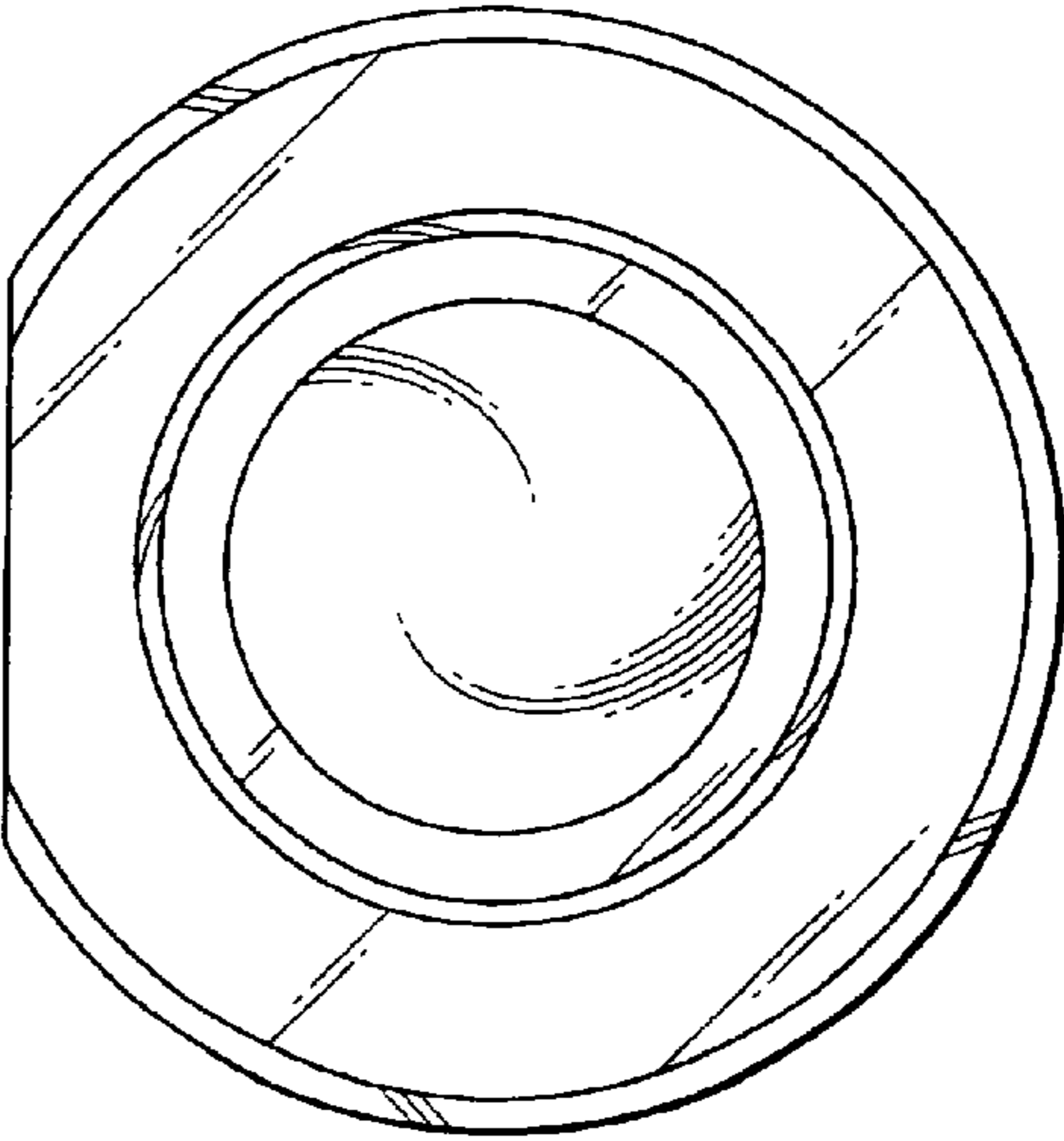


FIG. 4

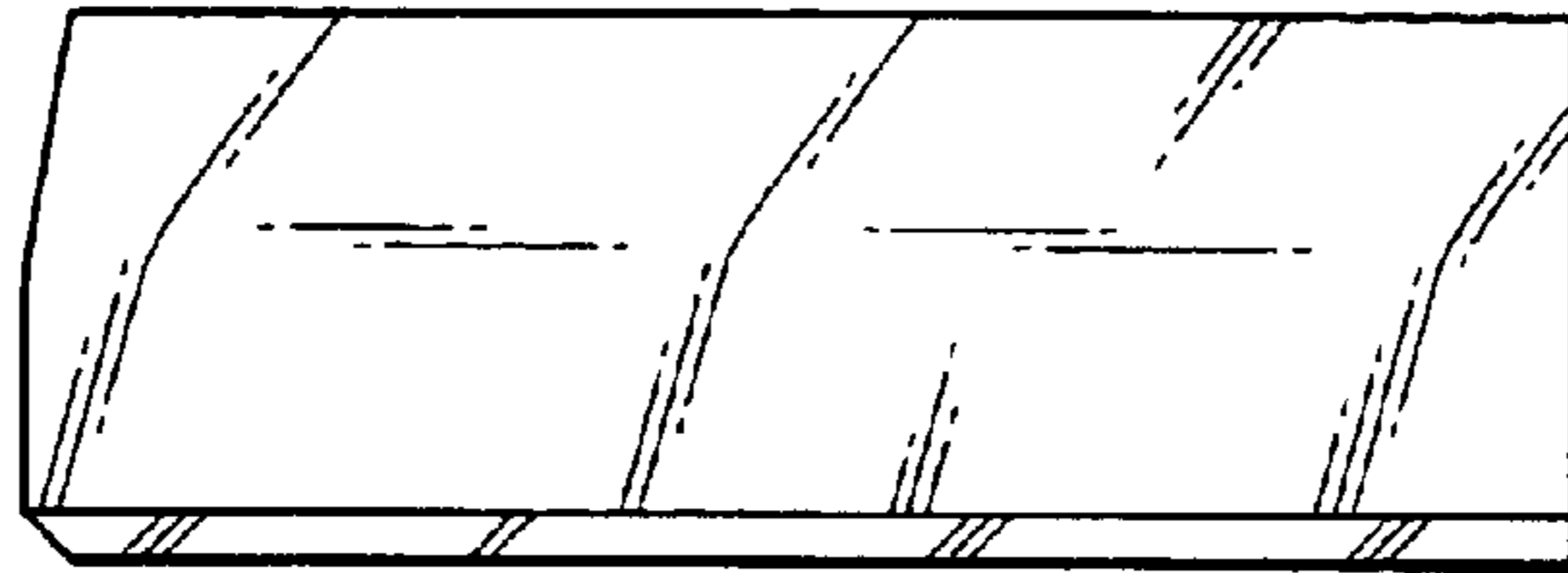


FIG. 5

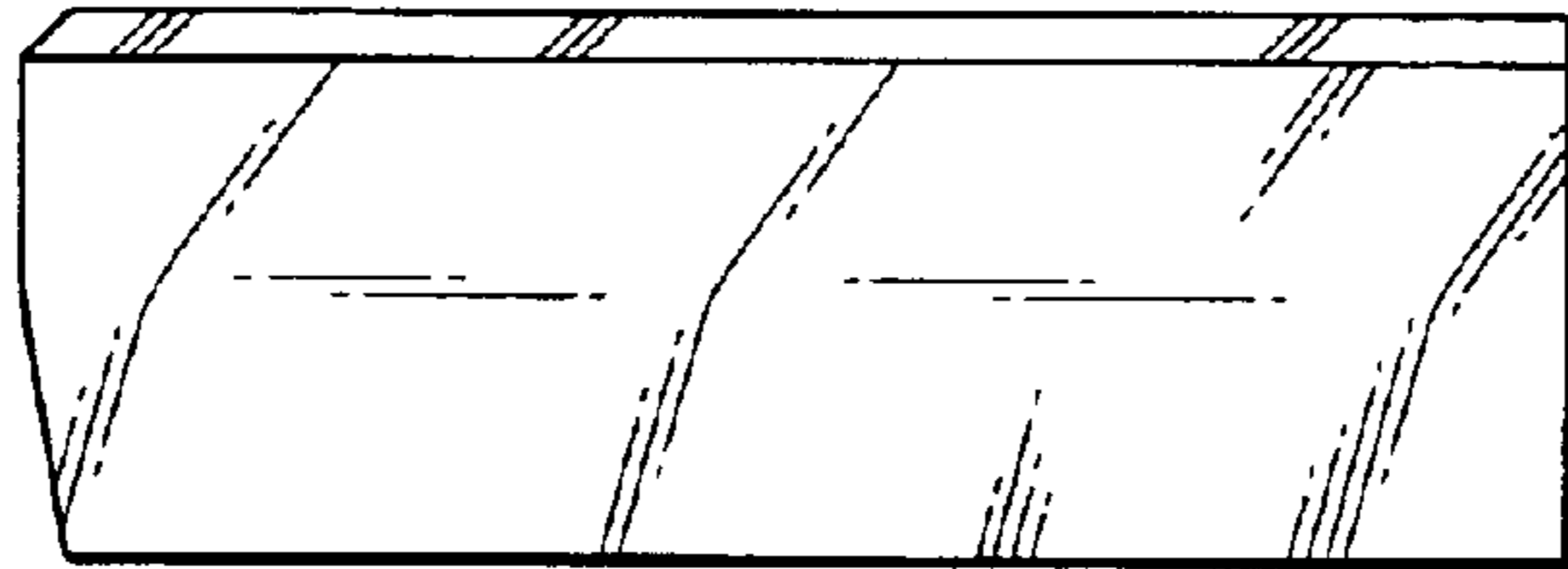


FIG. 6

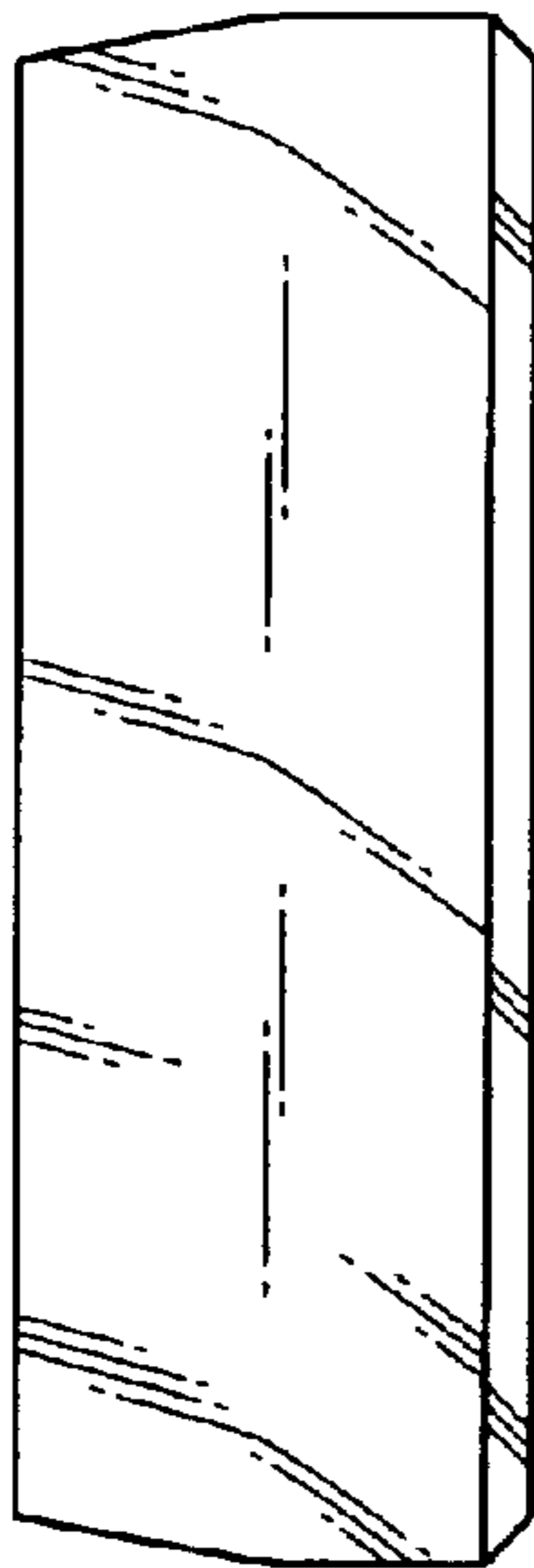


FIG. 7

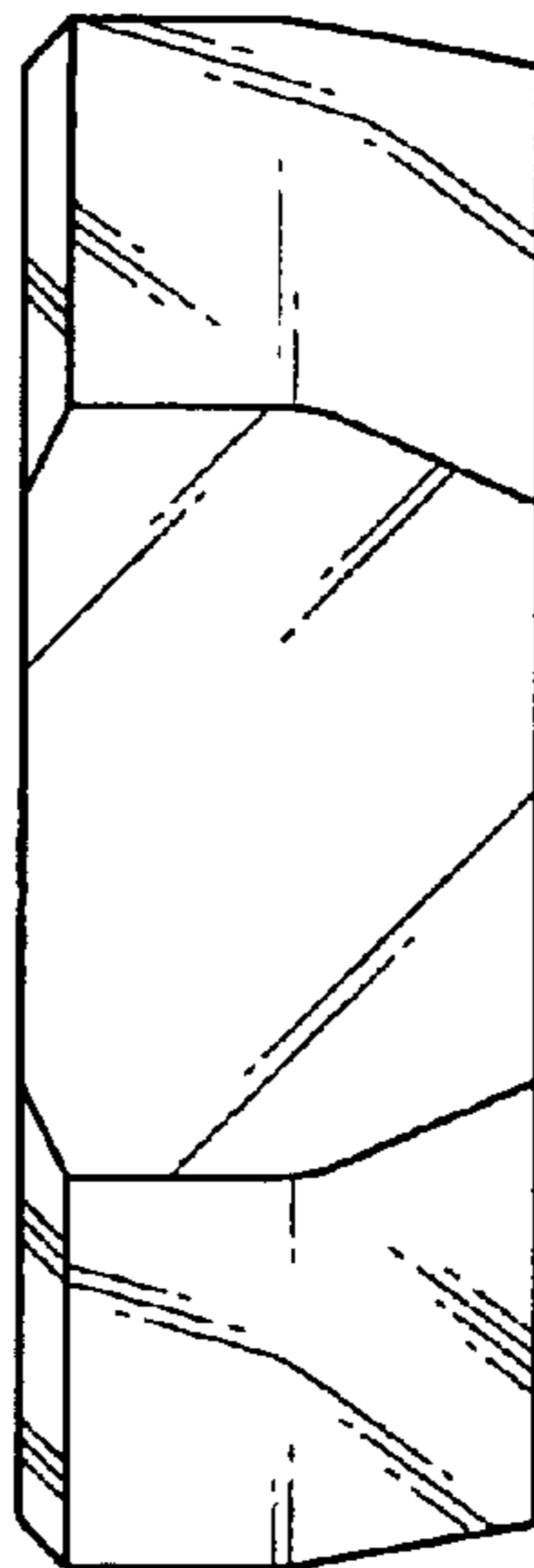


FIG. 8

