



US00D510941S

(12) **United States Design Patent**
McLean et al.

(10) **Patent No.: US D510,941 S**

(45) **Date of Patent: ** Oct. 25, 2005**

(54) **SELF-PROPELLED WINDROWER**

(75) Inventors: **Kenneth W. McLean**, New Holland,
PA (US); **Robert L. Rice**, New
Holland, PA (US); **Constantine J.**
Kermes, Lancaster, PA (US)

(73) Assignee: **CNH America LLC**, New Holland, PA
(US)

(**) Term: **14 Years**

(21) Appl. No.: **29/206,993**

(22) Filed: **Jun. 7, 2004**

(51) **LOC (8) Cl.** **15-03**

(52) **U.S. Cl.** **D15/10; D15/26**

(58) **Field of Search** D15/10, 13, 15,
D15/22-26, 30, 33; 56/11.2, 192, 209;
180/900, 89.1, 234, 308; 239/146, 172,
722, DIG. 6, DIG. 8

(56) **References Cited**

U.S. PATENT DOCUMENTS

3,147,607 A * 9/1964 Calvano et al. 70/64

D208,486 S * 9/1967 Conner et al. D15/26
D211,265 S * 6/1968 Skyer et al. D15/26
4,159,749 A * 7/1979 Boushek, Jr. 180/308
D312,827 S * 12/1990 Boddin et al. D15/30
D344,737 S * 3/1994 Long et al. D15/22
5,778,644 A * 7/1998 Keller et al. 56/11.2

* cited by examiner

Primary Examiner—Stella Reid

Assistant Examiner—Mark A. Goodwin

(74) *Attorney, Agent, or Firm*—John William Stader

(57) **CLAIM**

We claim the ornamental design for the self-propelled wind-
rower, as shown.

DESCRIPTION

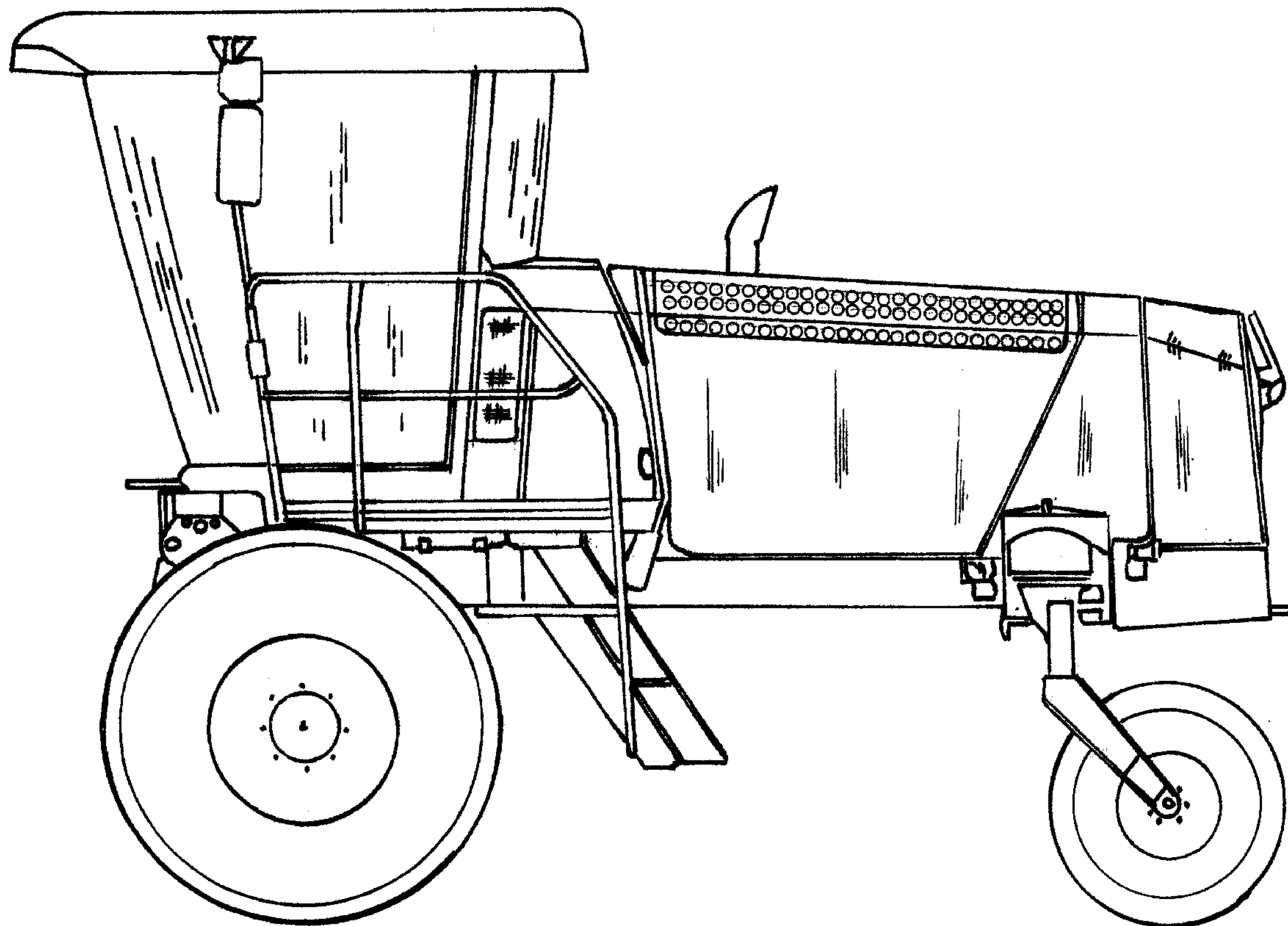
FIG. 1 is a left side view of the self-propelled windrower
showing my new design;

FIG. 2 is a top plan view thereof;

FIG. 3 is a front view thereof; and,

FIG. 4 is a rear view thereof.

1 Claim, 4 Drawing Sheets



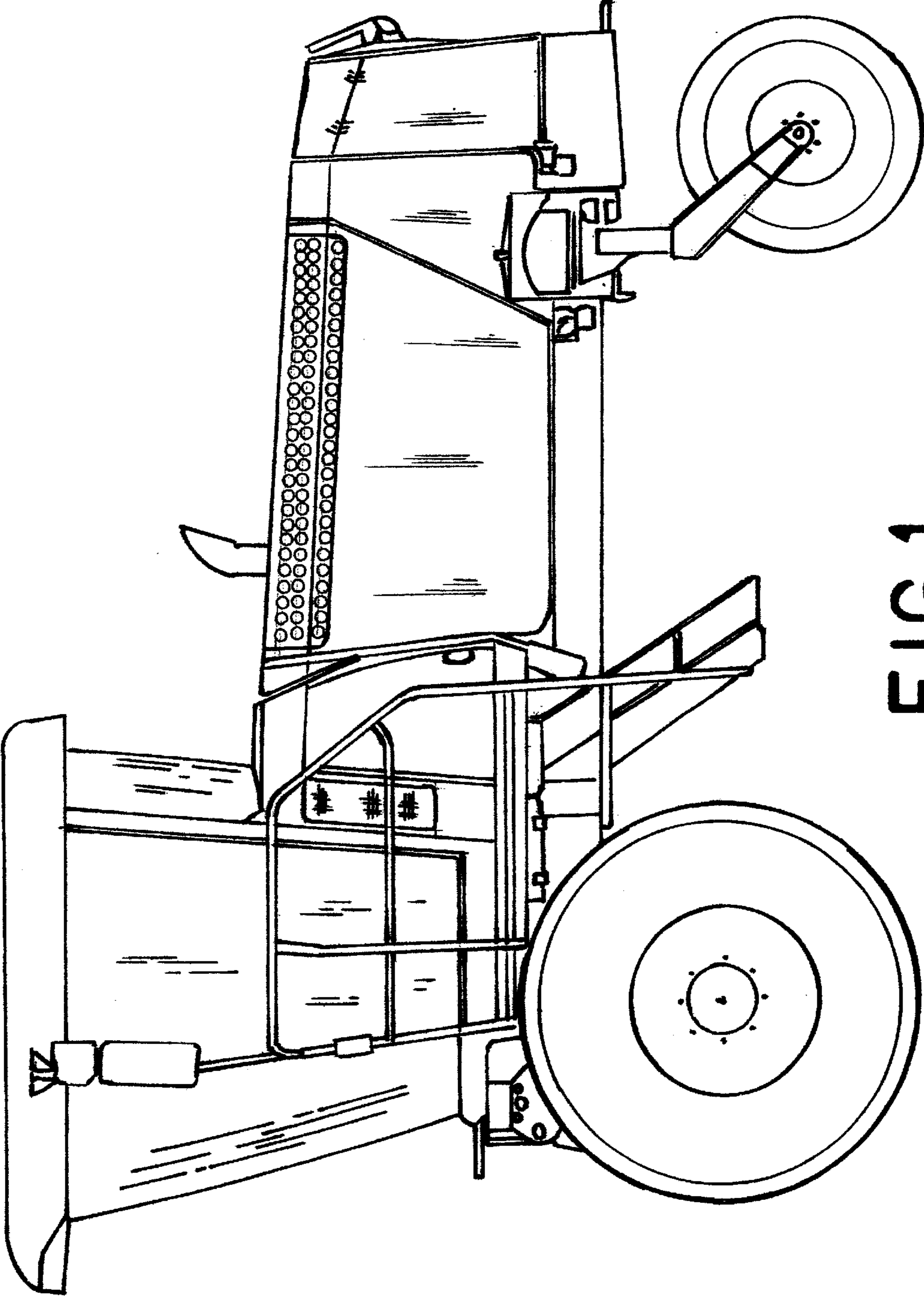


FIG. 1

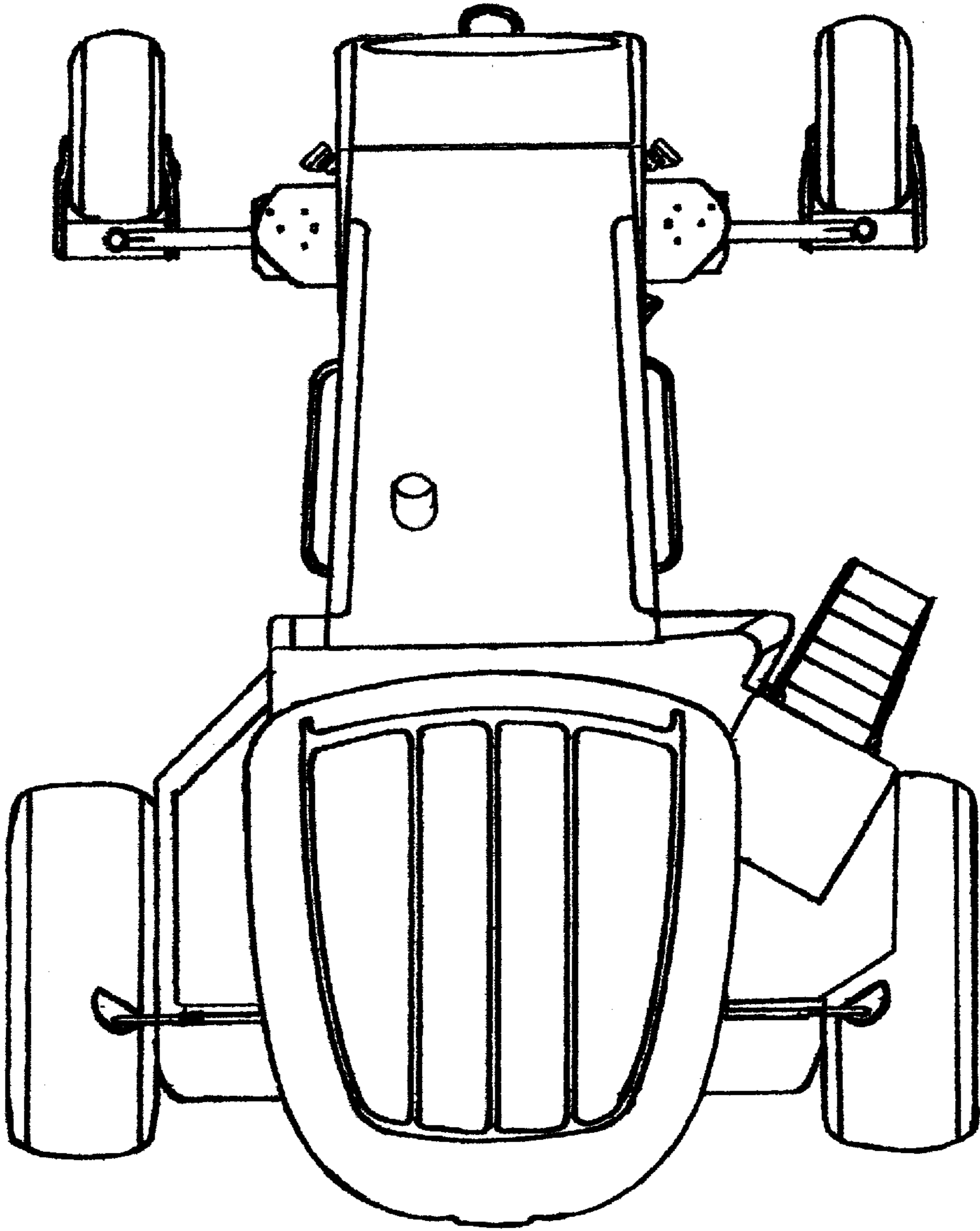


FIG. 2

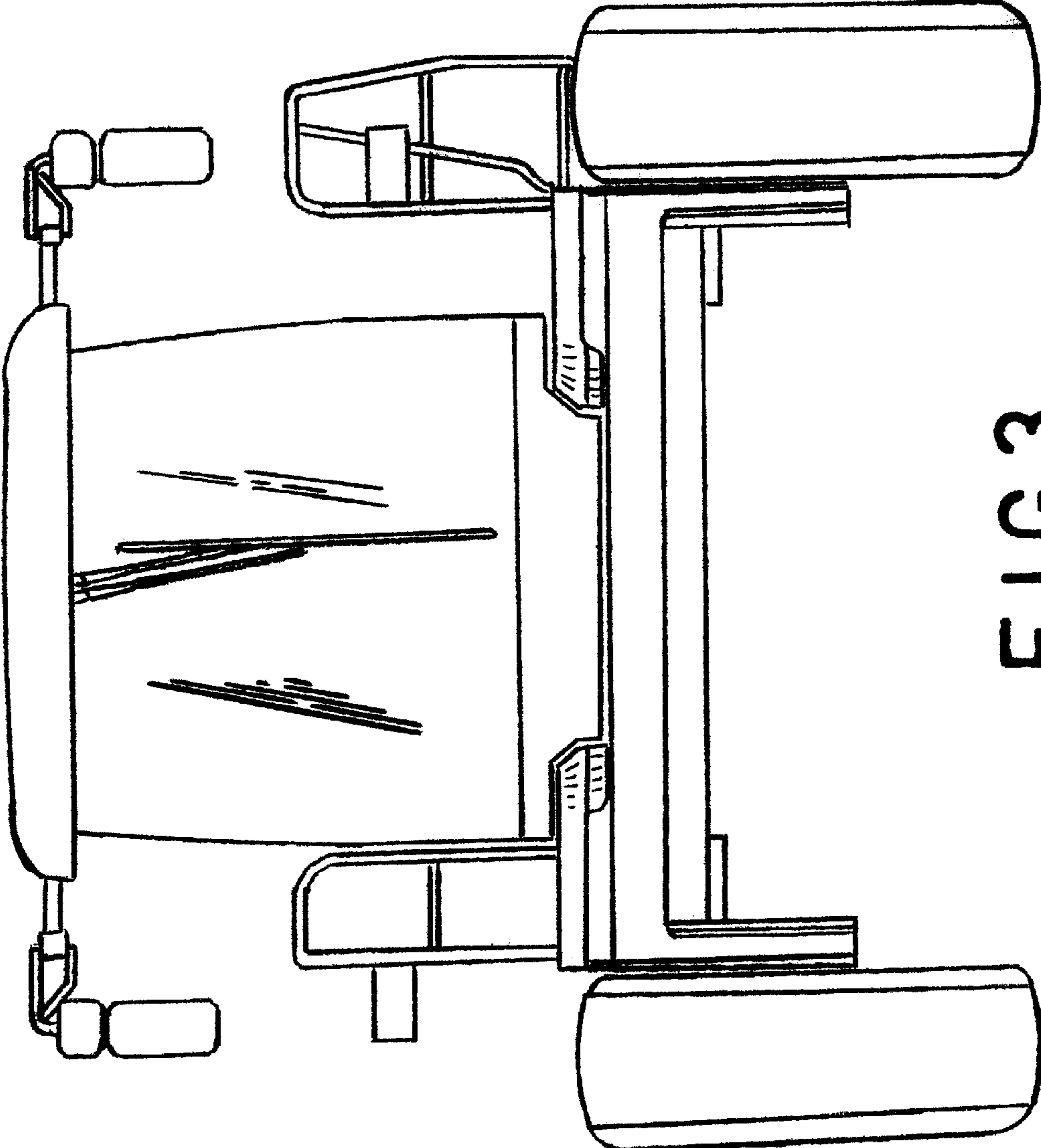


FIG. 3

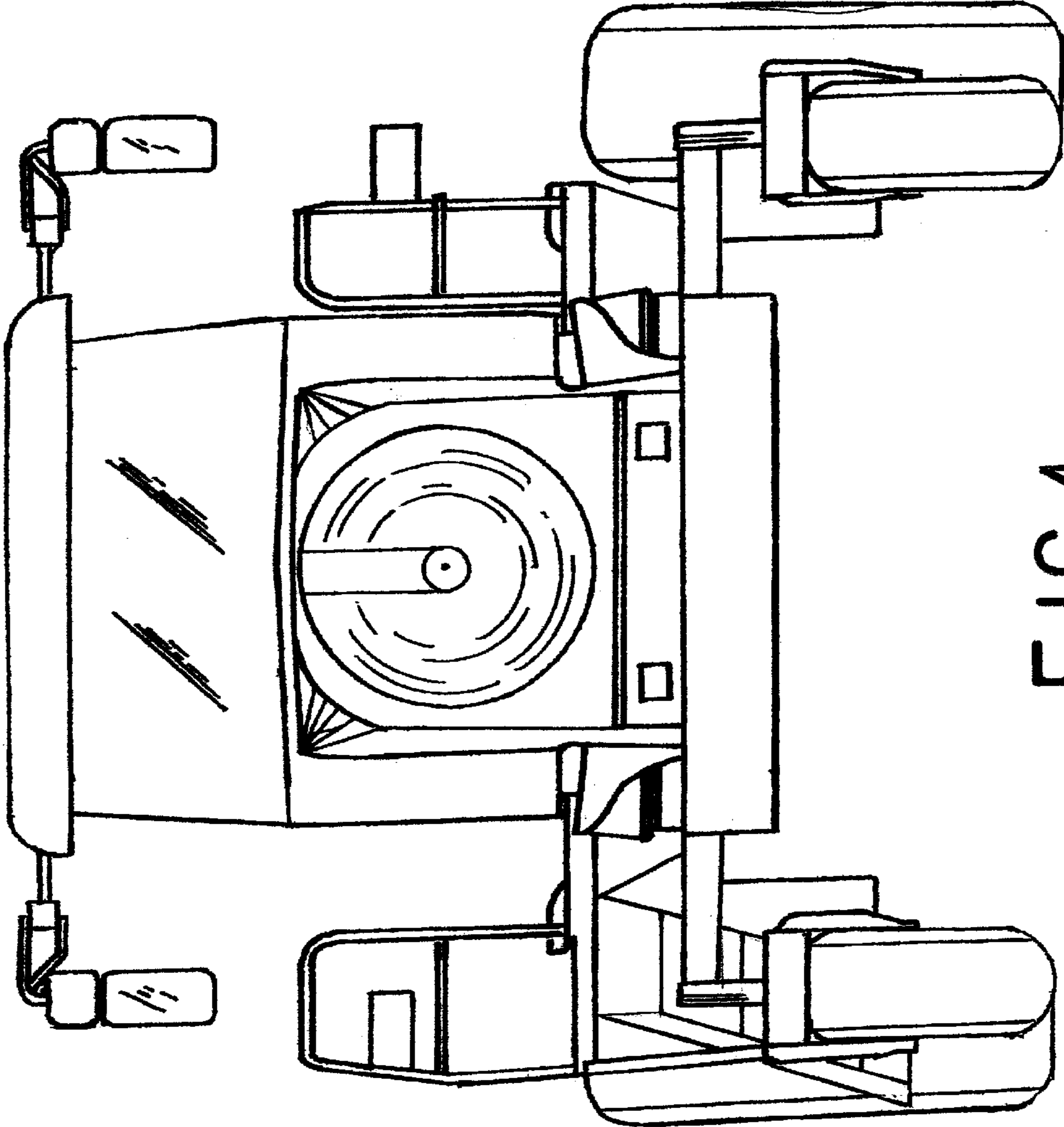


FIG.4