



US00D510938S

(12) **United States Design Patent**
Thomas et al.

(10) **Patent No.:** **US D510,938 S**
(45) **Date of Patent:** **** Oct. 25, 2005**

(54) **PUMP**

(75) Inventors: **Paul J. Thomas**, Sheboygan, WI (US);
Ross P. Christiansen, Sheboygan Falls,
WI (US)

(73) Assignee: **Thomas Industries Inc.**, Sheboygan,
WI (US)

(**) Term: **14 Years**

(21) Appl. No.: **29/211,315**

(22) Filed: **Aug. 13, 2004**

(51) **LOC (8) Cl.** **15-02**

(52) **U.S. Cl.** **D15/7**

(58) **Field of Search** D15/7-9; 417/321,
417/410, 413.1, 415, 423.3, 486, 521, 534;
415/148

(56) **References Cited**

U.S. PATENT DOCUMENTS

- D465,791 S * 11/2002 Moan D15/7
- D469,110 S * 1/2003 Tseng D15/7
- D482,699 S * 11/2003 Graf et al. D15/7

- D488,169 S * 4/2004 Hopper D15/9
- D490,821 S * 6/2004 Leventhal et al. D15/9
- D498,768 S * 11/2004 Romandy et al. D15/9

* cited by examiner

Primary Examiner—Ralf Seifert

(74) *Attorney, Agent, or Firm*—Quarles & Brady LLP

(57) **CLAIM**

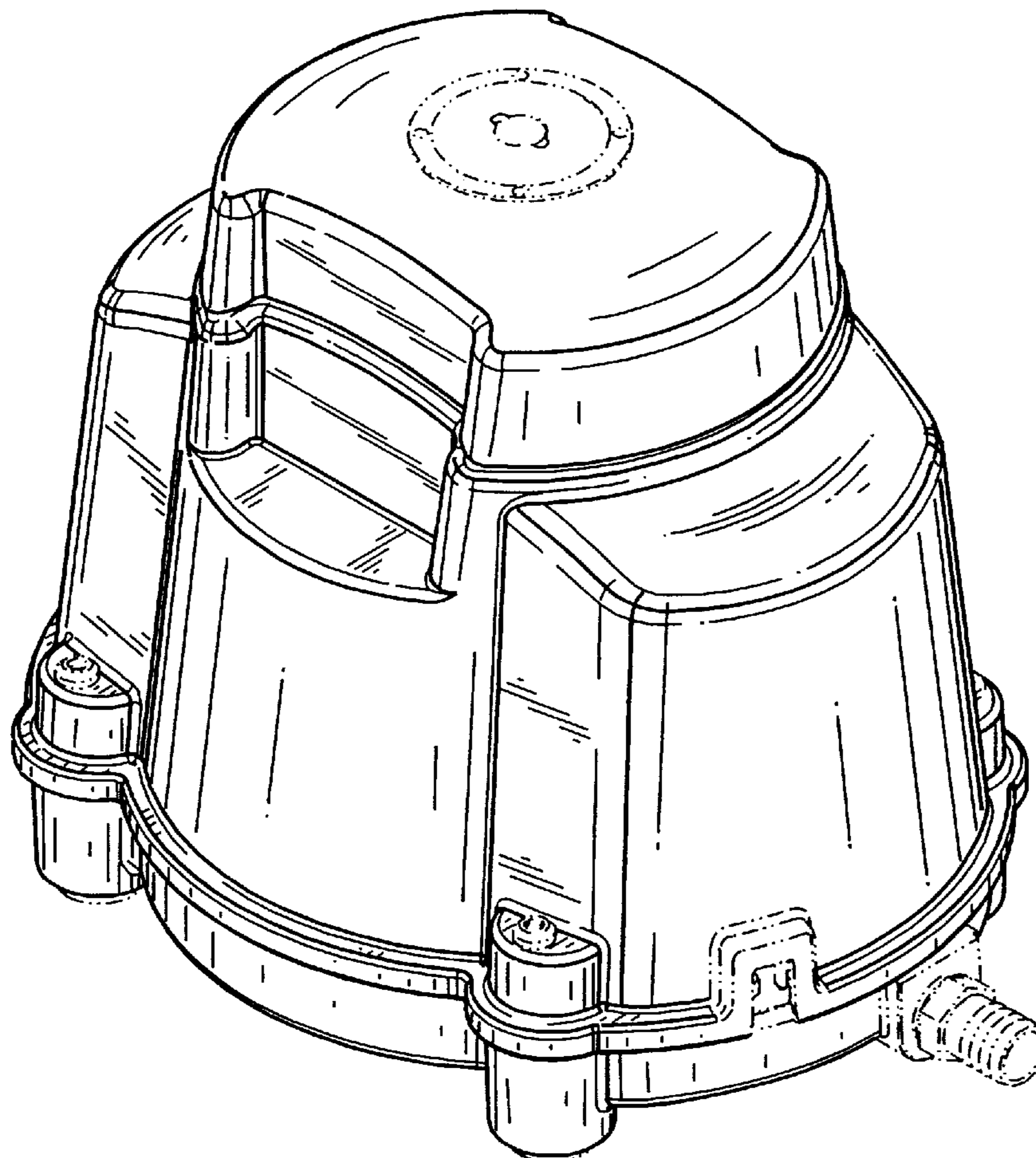
The ornamental design for a pump, as shown and described.

DESCRIPTION

FIG. 1 is a top, left, front perspective view of a pump showing our new design;
 FIG. 2 is a top plan view thereof;
 FIG. 3 is a front side elevational view thereof, the back side elevational view thereof being a mirror image of the front side shown;
 FIG. 4 is a right end elevational view thereof;
 FIG. 5 is a left end elevational view thereof; and,
 FIG. 6 is a bottom plan view thereof.

The broken line representations in the figures are for the purpose of illustration only and form no part of the claimed design.

1 Claim, 3 Drawing Sheets



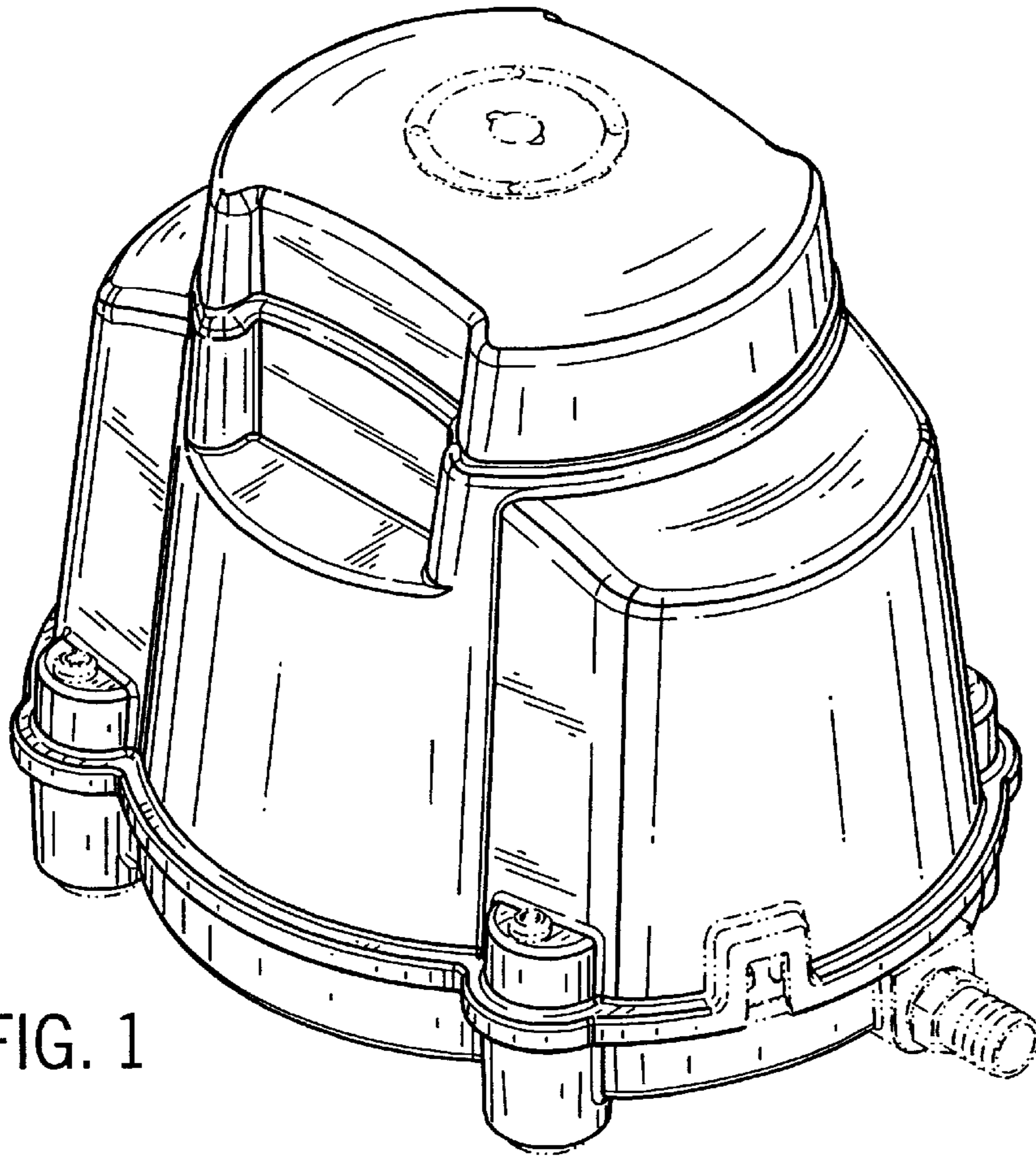
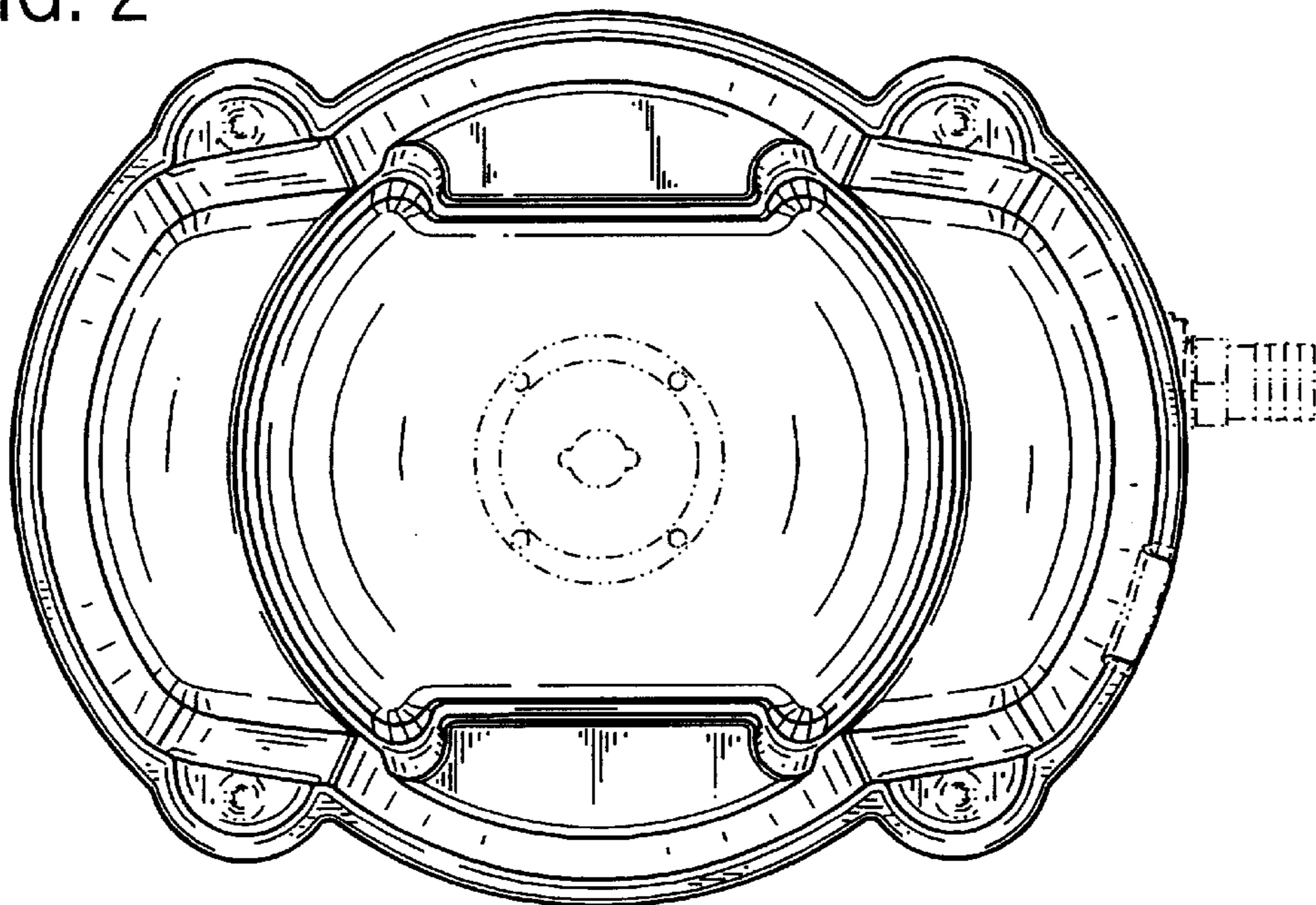


FIG. 1

FIG. 2



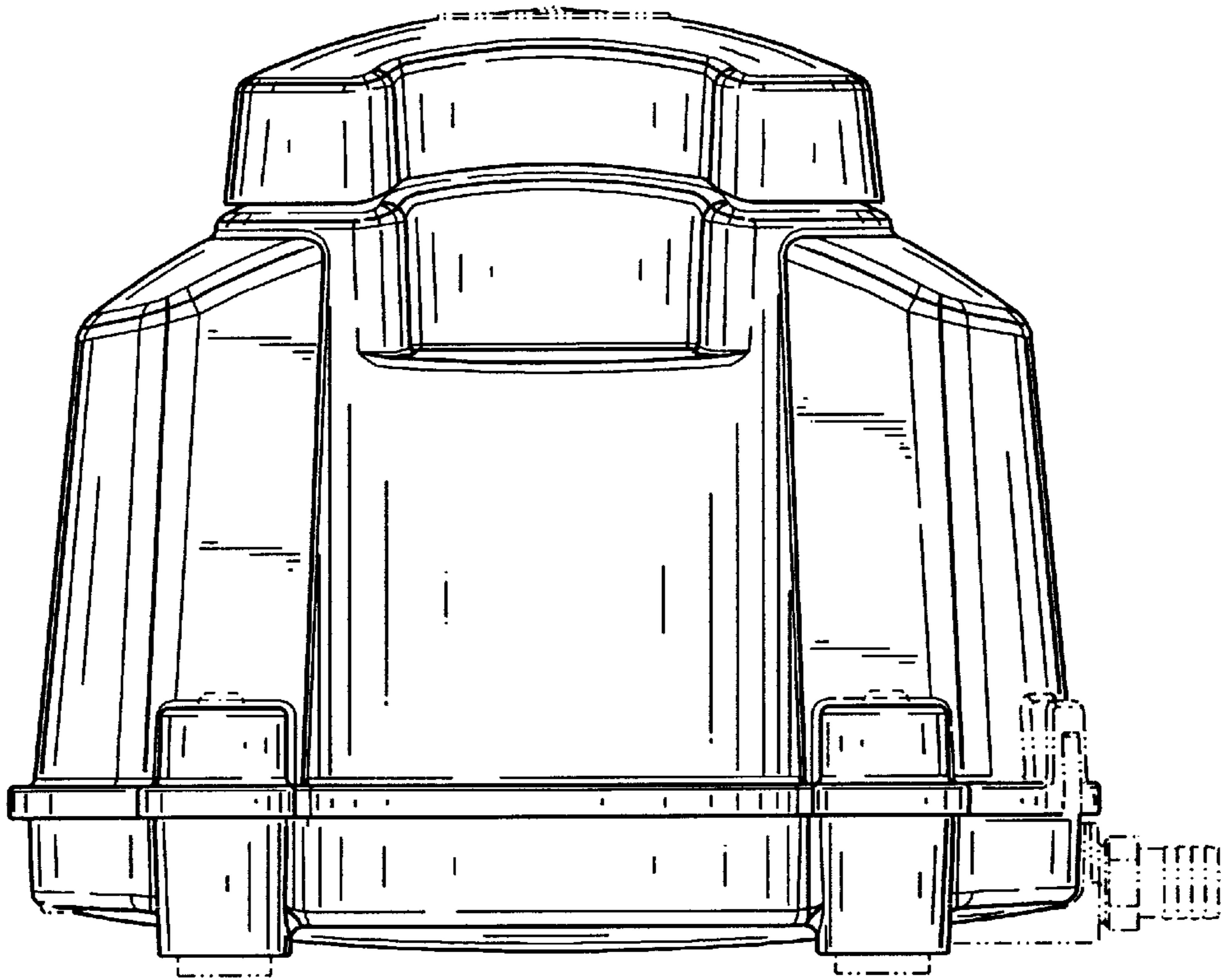


FIG. 3

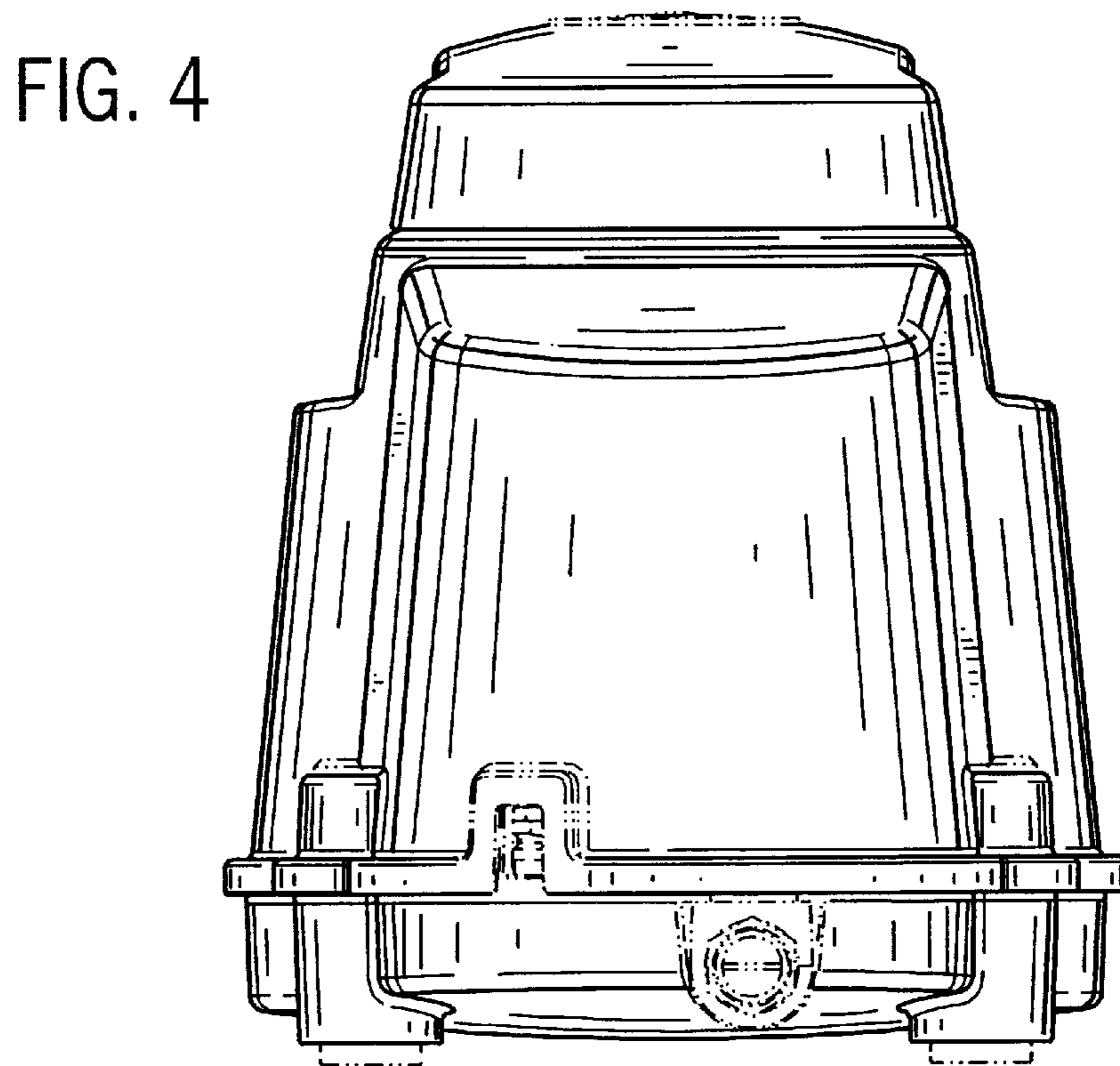


FIG. 4

FIG. 5

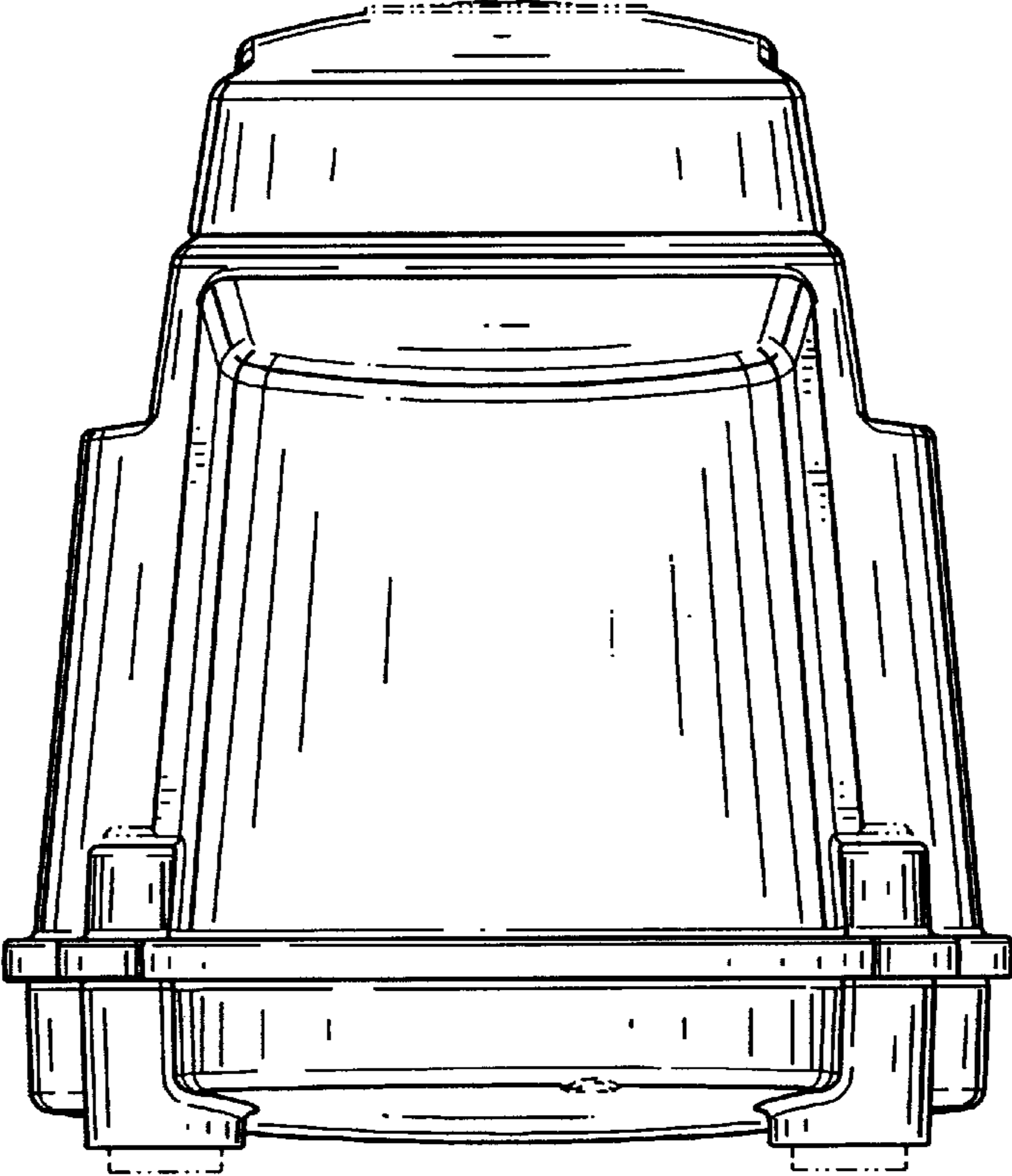


FIG. 6

