

US00D510932S

(12) **United States Design Patent** (10) **Patent No.:** **US D510,932 S**  
**Nakano et al.** (45) **Date of Patent:** **\*\* Oct. 25, 2005**

(54) **DISK UNIT CASE**

(75) Inventors: **Kenichi Nakano**, Fukuoka (JP);  
**Hirohiko Owaki**, Fukuoka (JP);  
**Tetsuya Nishio**, Fukuoka (JP);  
**Tomotaka Muta**, Ogoori (JP)

(73) Assignee: **Matsushita Electric Industrial Co., Ltd.**, Osaka (JP)

(\*\*) Term: **14 Years**

(21) Appl. No.: **29/219,089**

(22) Filed: **Dec. 10, 2004**

(30) **Foreign Application Priority Data**

Jun. 11, 2004 (JP) ..... 2004-017485

(51) **LOC (8) Cl.** ..... **14-03**

(52) **U.S. Cl.** ..... **D14/260.1**

(58) **Field of Search** ..... D14/442, 368,  
D14/217, 367, 365, 260.1; 720/653, 652,  
651, 650, 616, 613, 611, 610, 609, 603,  
601

(56) **References Cited**

**U.S. PATENT DOCUMENTS**

D367,278 S	*	2/1996	Moriwaki et al.	.....	D14/260.1
D385,261 S	*	10/1997	Akiba	.....	D14/260.1
5,930,218 A	*	7/1999	Mitsui et al.	.....	720/613
6,320,835 B1	*	11/2001	Kamei	.....	720/653
6,473,382 B1	*	10/2002	Tagawa et al.	.....	720/616
6,552,989 B2	*	4/2003	Morinaga	.....	720/607
6,577,577 B2	*	6/2003	Watanabe et al.	.....	720/603
6,862,738 B2	*	3/2005	Wu et al.	.....	720/651
2002/0034146 A1	*	3/2002	Morinaga	.....	369/75.2
2003/0072243 A1	*	4/2003	Yeh et al.	.....	369/75.2
2003/0142610 A1	*	7/2003	Yeh et al.	.....	369/75.2
2003/0152011 A1	*	8/2003	Yeh	.....	369/75.2
2003/0202447 A1	*	10/2003	Watanabe et al.	.....	369/75.2
2004/0042371 A1	*	3/2004	Lee	.....	369/75.2
2004/0093609 A1	*	5/2004	Choi	.....	720/601

2004/0117807 A1	*	6/2004	Takahashi et al.	.....	720/610
2004/0148614 A1	*	7/2004	Bae	.....	720/601
2004/0163094 A1	*	8/2004	Matsui et al.	.....	720/650
2004/0261088 A1	*	12/2004	Hsu et al.	.....	720/601
2005/0010937 A1	*	1/2005	Chen et al.	.....	720/610
2005/0076346 A1	*	4/2005	Matsumoto et al.	.....	720/601

**FOREIGN PATENT DOCUMENTS**

JP	D948711	3/1996
JP	D949293-1	3/1996
JP	D1066428	4/2000
JP	D1067893	4/2000
JP	D1198837	3/2004

\* cited by examiner

*Primary Examiner*—Cathron C. Brooks

*Assistant Examiner*—Austin Murphy

(74) *Attorney, Agent, or Firm*—Brinks Hofer Gilson & Lione

(57) **CLAIM**

We claim the ornamental design for a disk unit case, as shown and described.

**DESCRIPTION**

FIG. 1 is a top perspective view of a disk unit case of the present invention;

FIG. 2 is a top view thereof;

FIG. 3 is a front view thereof;

FIG. 4 is a rear view thereof;

FIG. 5 is a first side view thereof;

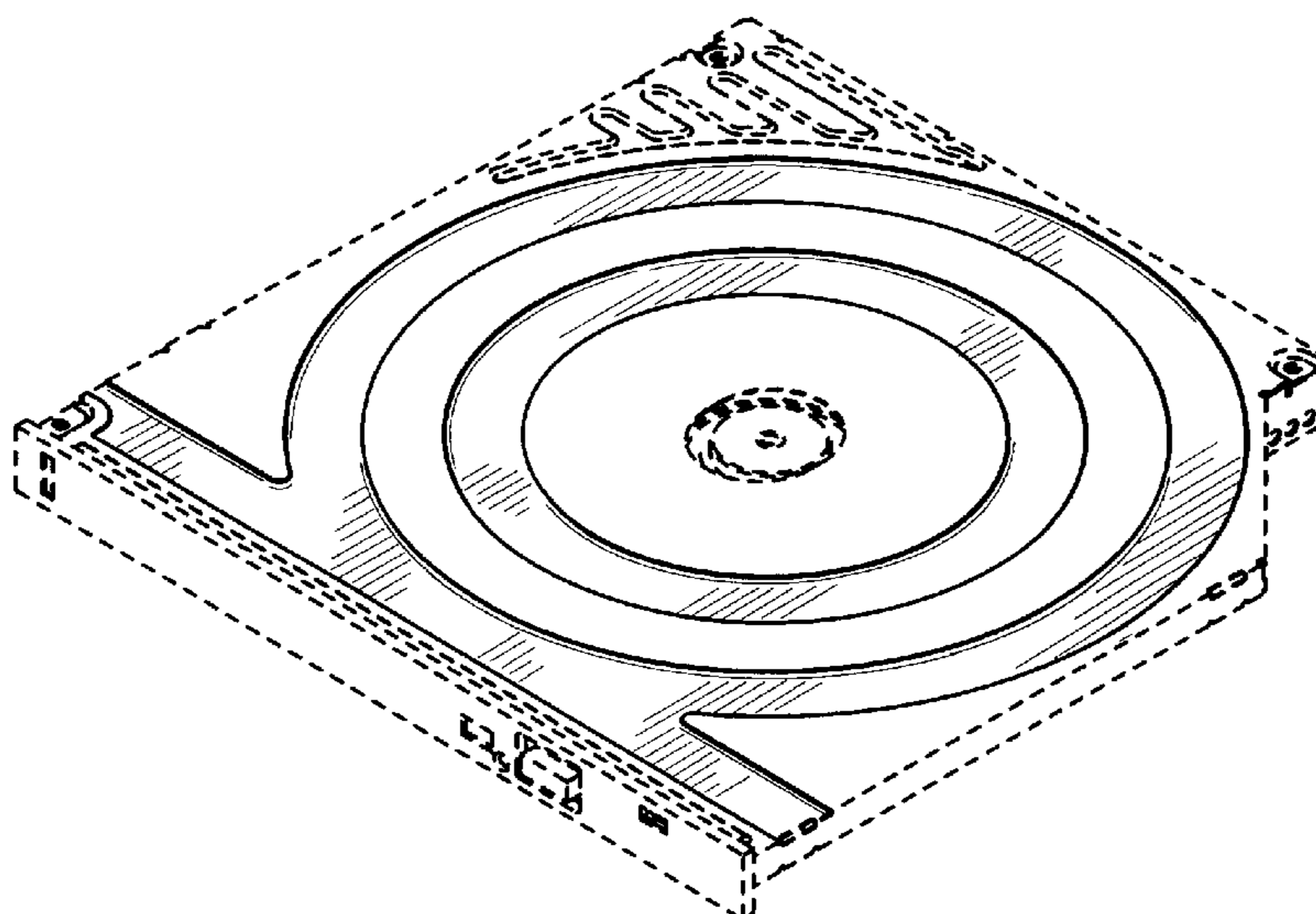
FIG. 6 is a second side view thereof;

FIG. 7 is a bottom view thereof; and,

FIG. 8 is a top perspective view of the disk unit case of FIG. 1 shown in an open position.

The ornamental design which is claimed is shown in solid lines in the drawings. Any broken lines in the drawings are for illustrative purposes only and form no part of the claimed design.

**1 Claim, 8 Drawing Sheets**



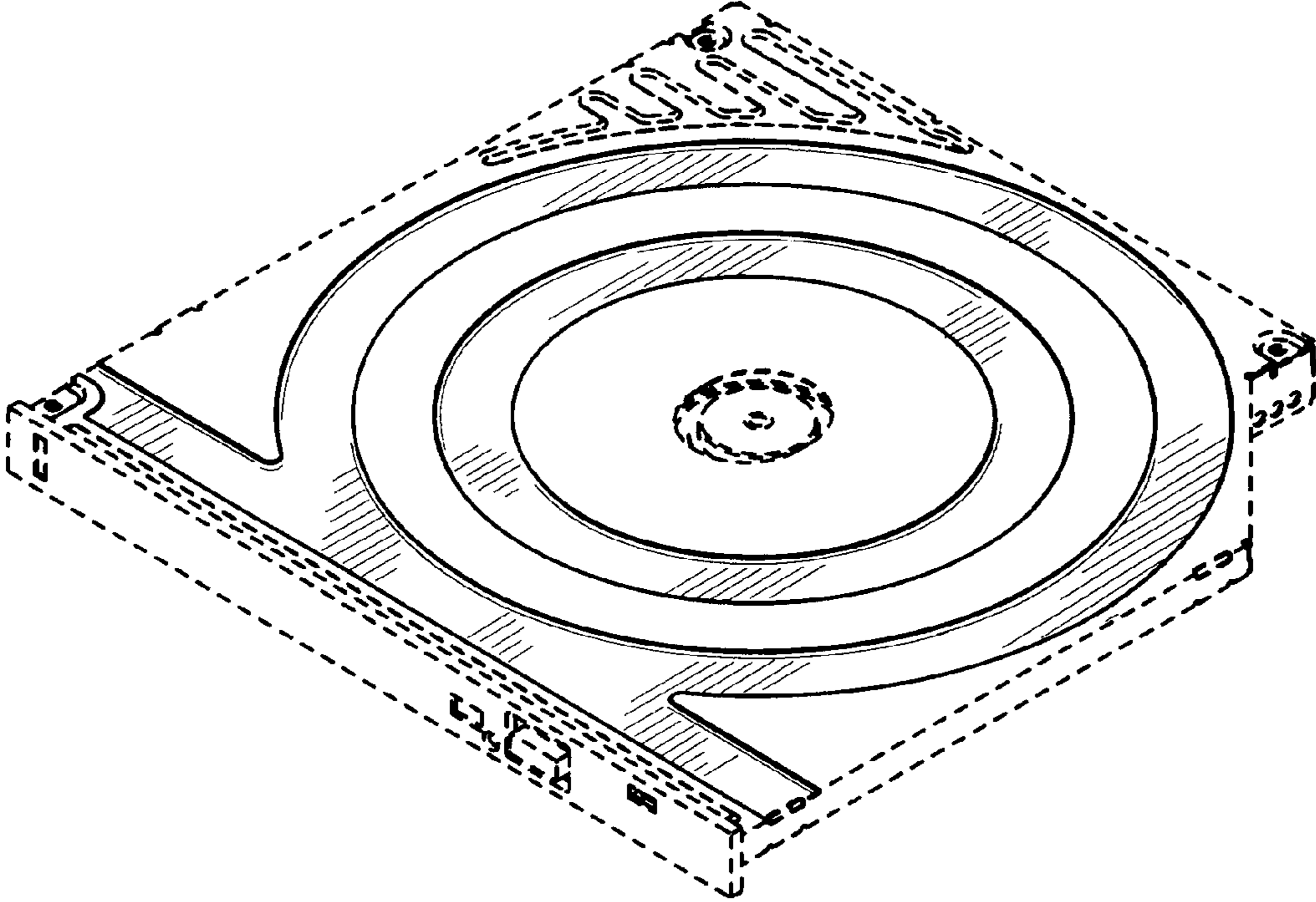


FIG. 1

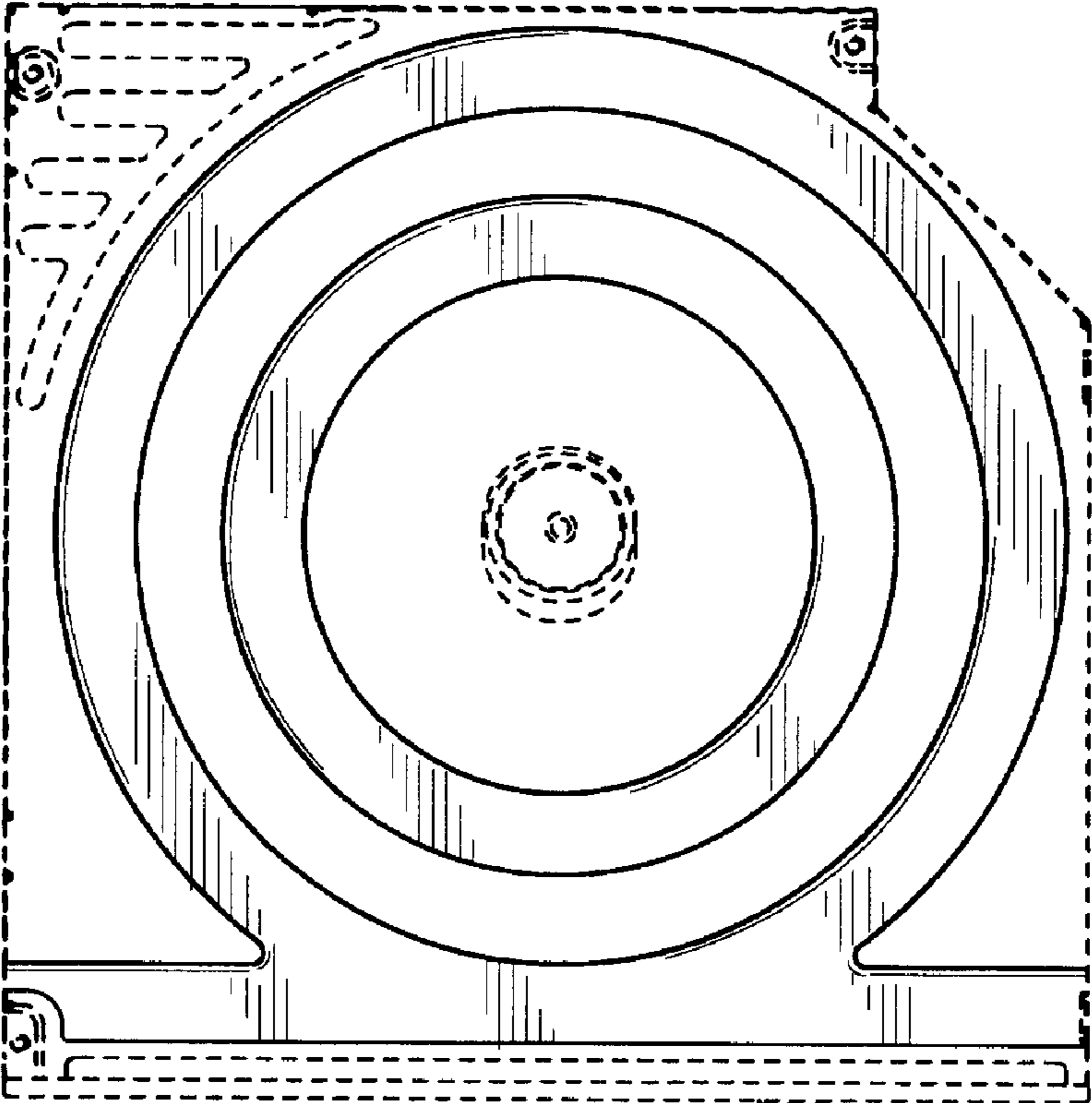


FIG.2



**FIG. 3**

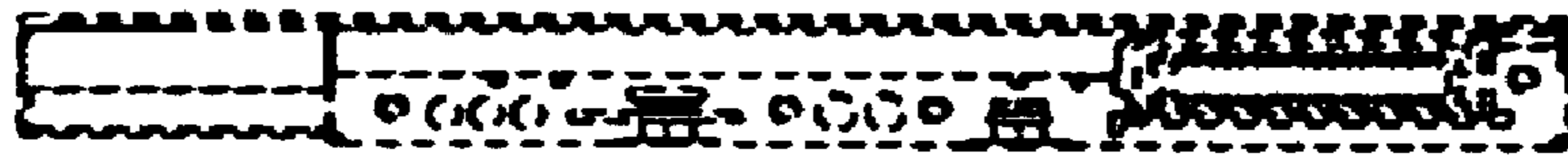
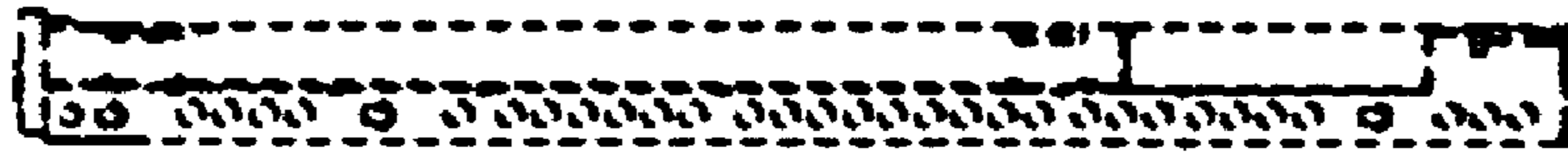


FIG. 4



**FIG. 5**



**FIG. 6**

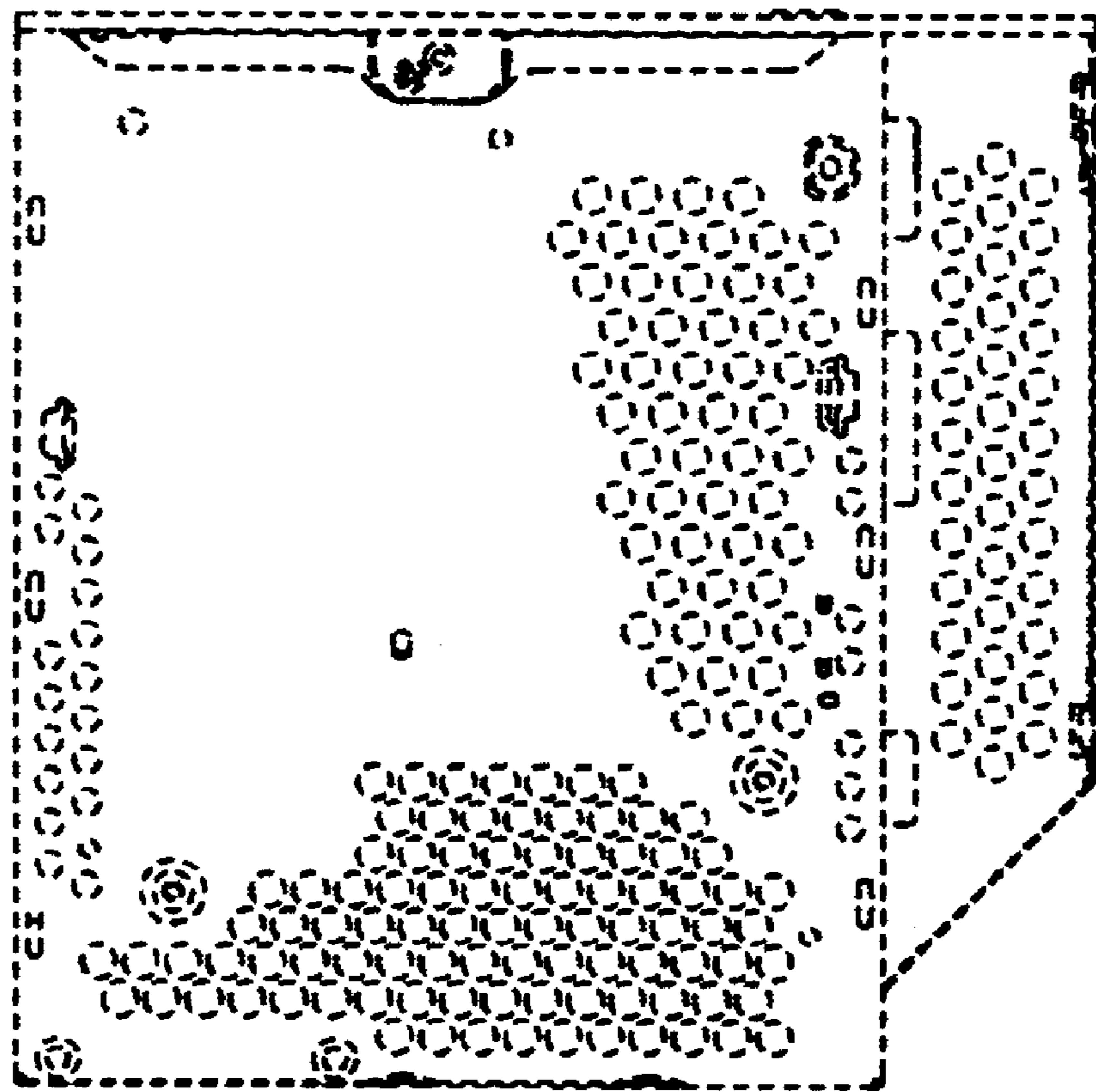


FIG. 7



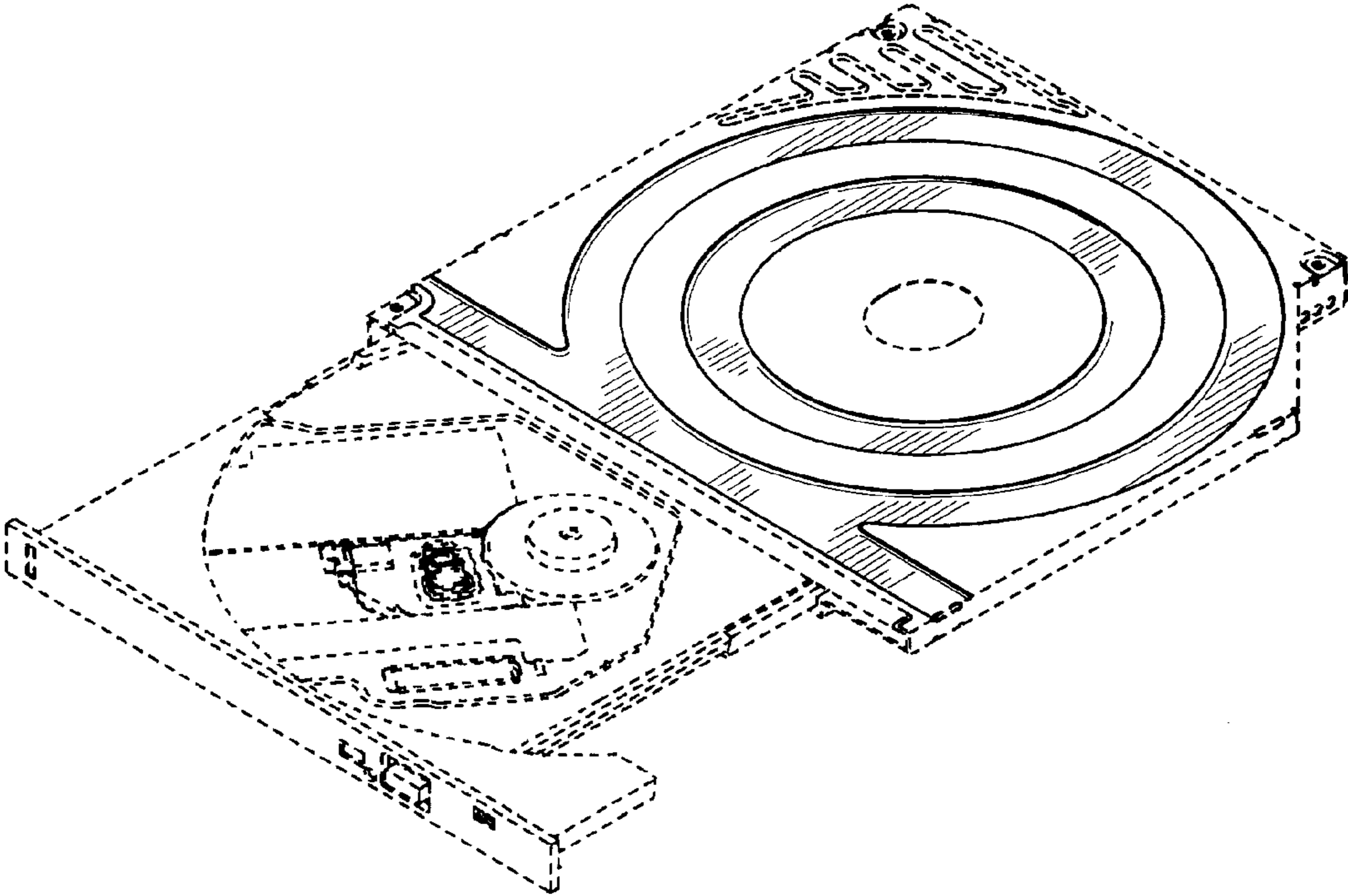


FIG.8