

US00D510931S

(12) **United States Design Patent**
Weikel et al.

(10) **Patent No.: US D510,931 S**
(45) **Date of Patent: ** Oct. 25, 2005**

(54) **EAR-CLIP FOR PERSONAL AUDIO DEVICE**

(75) Inventors: **Raymond Weikel**, Camas, WA (US);
Alexander S. Danielson, Forest Grove,
OR (US); **Michael Roberts**, Vancouver,
WA (US); **Omer Kotzer**, Portland, OR
(US); **Bernhard Wildner**, Portland, OR
(US)

(73) Assignee: **Logitech Europe S.A.**,
Romanel-sur-Morges (CH)

(**) Term: **14 Years**

(21) Appl. No.: **29/205,938**

(22) Filed: **May 21, 2004**

(51) **LOC (8) Cl.** **14-03**

(52) **U.S. Cl.** **D14/240**

(58) **Field of Search** D14/240, 205,
D14/206, 223, 224, 248, 249, 253, 188,
192; 181/120, 128-131; 379/430, 431,
433; 381/344, 370, 376, 377, 381; D24/173,
174; 455/351

(56) **References Cited**

U.S. PATENT DOCUMENTS

2,474,135 A * 6/1949 White 381/381

4,893,344 A * 1/1990 Tragardh et al. 381/381
5,625,171 A * 4/1997 Marshall 181/130
D419,564 S * 1/2000 McDonald et al. D14/223
D436,095 S * 1/2001 Schmidt et al. D14/206
D455,732 S * 4/2002 Skulley et al. D14/223
D464,943 S * 10/2002 Lai D14/206
D470,129 S * 2/2003 Hlas et al. D14/223
D471,537 S * 3/2003 Ham D14/223
D478,573 S * 8/2003 Wisley et al. D14/223
D480,073 S * 9/2003 Jensen et al. D14/240

* cited by examiner

Primary Examiner—Paula A. Greene

(74) *Attorney, Agent, or Firm*—Ipsolon llp

(57) **CLAIM**

The ornamental design for an ear-clip for personal audio device, as shown and described.

DESCRIPTION

FIG. 1 is a back, perspective view of the headset;

FIG. 2 is a front, perspective view thereof;

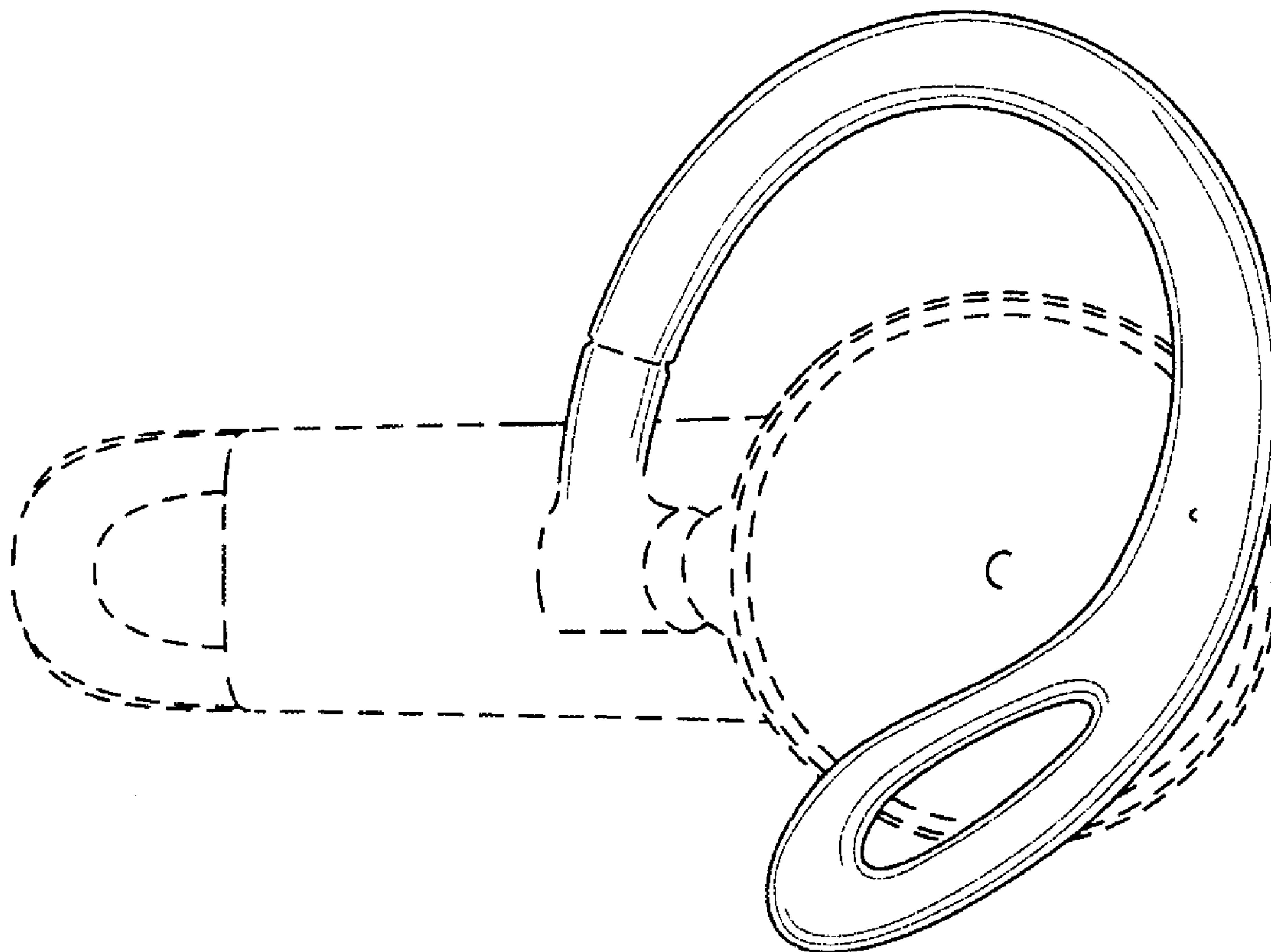
FIG. 3 is a top, elevation view thereof;

FIG. 4 is a right side, elevation view thereof; and,

FIG. 5 is a bottom, elevation view thereof.

The broken lines showing an exemplar headset and molding seams are for illustrative purpose only and form no part of the claimed design.

1 Claim, 1 Drawing Sheet



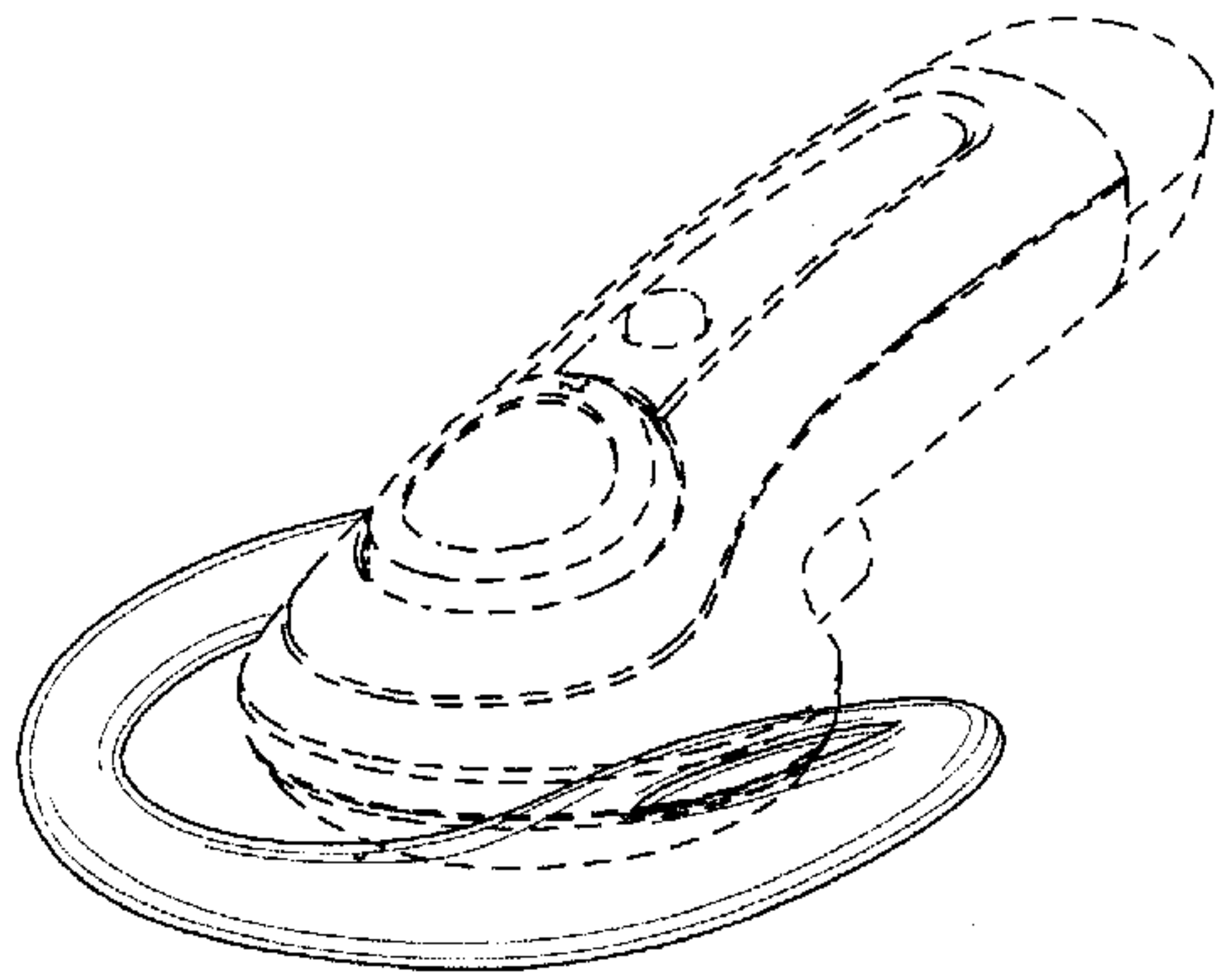


FIG. 1

FIG. 2

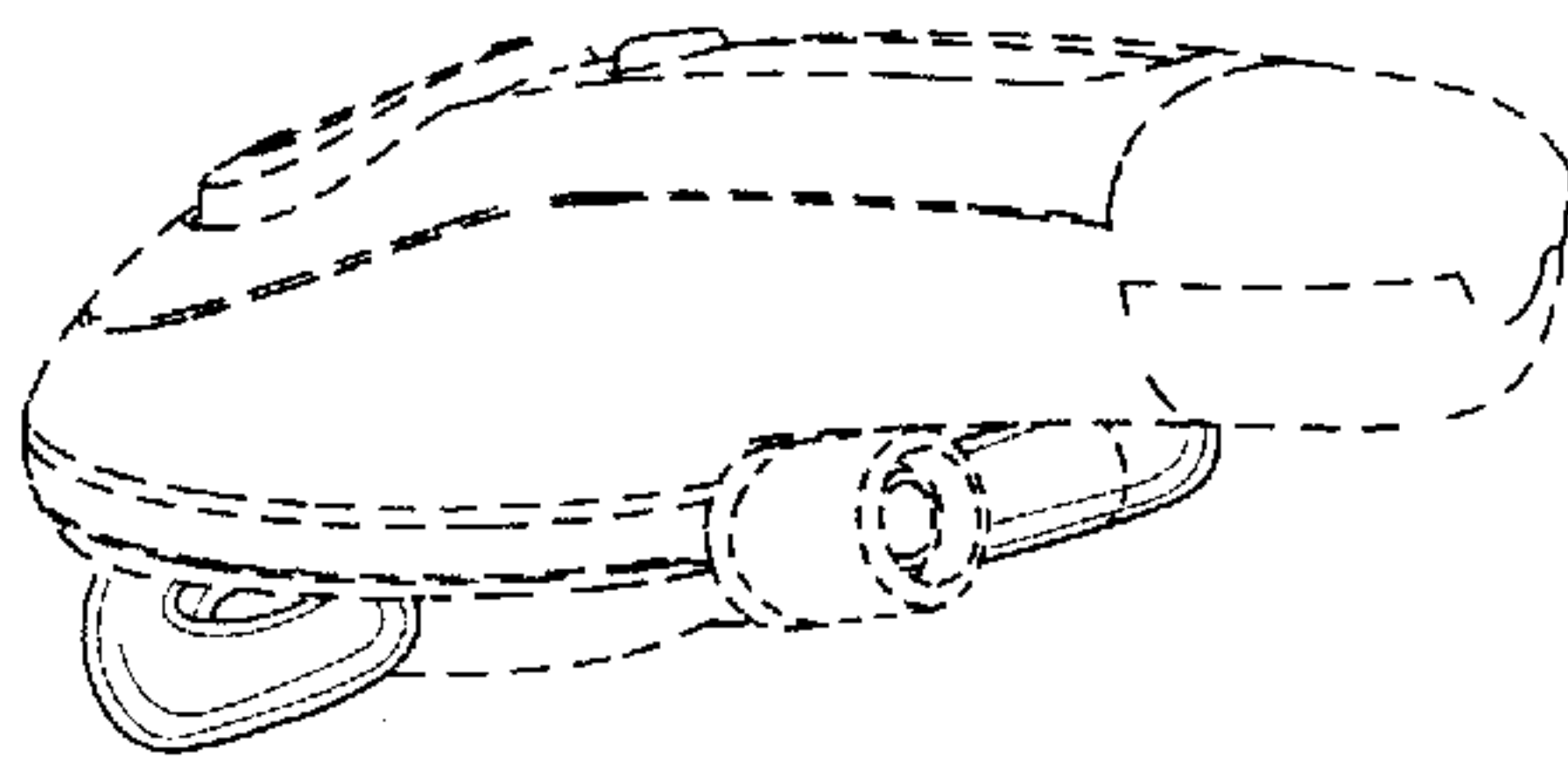


FIG. 3

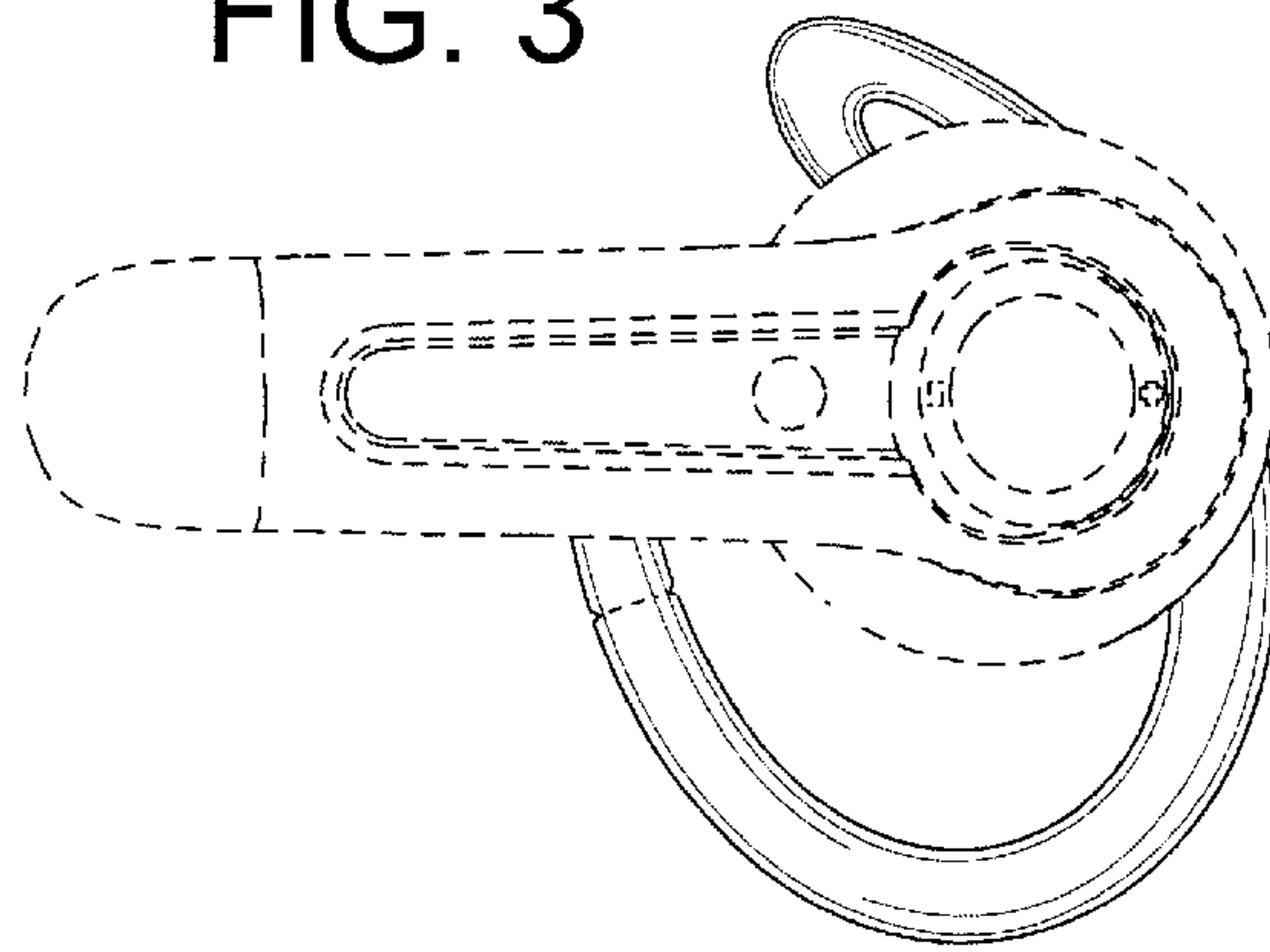


FIG. 4

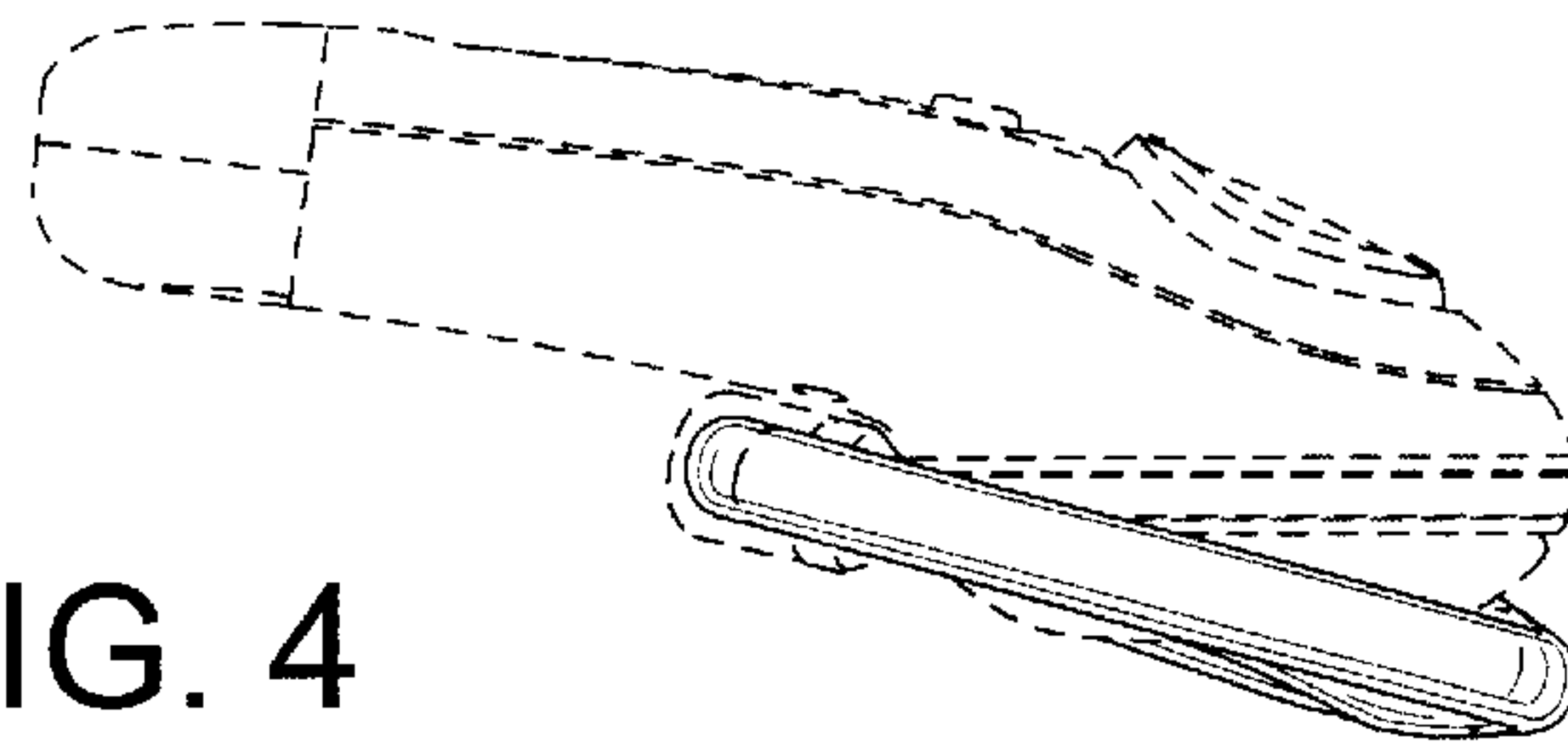


FIG. 5

