



US00D510929S

(12) **United States Design Patent** (10) **Patent No.:** **US D510,929 S**
Laverick et al. (45) **Date of Patent:** **** Oct. 25, 2005**

(54) **ANTENNA FOR COMBINED PERSONAL DIGITAL ASSISTANT AND NAVIGATION DEVICE**
(75) Inventors: **David Laverick**, Overland Park, KS (US); **Christopher Hanshew**, Lenexa, KS (US); **Brian G. Schoenfish**, Kansas City, KS (US); **David Lammers-Meis**, Prairie Village, KS (US)

(73) Assignee: **Garmin Ltd.** (KN)

(**) Term: **14 Years**

(21) Appl. No.: **29/200,548**

(22) Filed: **Mar. 1, 2004**

Related U.S. Application Data

(63) Continuation of application No. 29/181,088, filed on May 5, 2003, now Pat. No. Des. 484,127.

(51) **LOC (8) Cl.** **14-03**

(52) **U.S. Cl.** **D14/230**

(58) **Field of Search** D14/137, 138, D14/230-238, 299, 358; D12/42, 43; 343/700 R-705, 871-908, 795, 840, 711-713, 819, 846; 455/90.2, 90.3, 91, 347, 128, 269, 344, 562.1

(56) **References Cited**

U.S. PATENT DOCUMENTS

- 5,014,346 A * 5/1991 Phillips et al. 455/575.7
- D355,412 S * 2/1995 Rak et al. D14/242
- D365,032 S 12/1995 Laverick et al. D10/78
- D365,550 S 12/1995 Houlihan D14/114
- D366,036 S 1/1996 Houlihan D14/114
- D374,227 S * 10/1996 Williams D14/137
- D389,173 S 1/1998 Komuta et al. D18/7
- D397,679 S 9/1998 Hawkins et al. D14/100
- D423,468 S 4/2000 Jenkins D14/100
- D431,558 S * 10/2000 Winstead et al. D14/248
- D432,535 S 10/2000 Loh et al. D14/345
- D440,542 S 4/2001 Hawkins et al. D14/100

- D442,173 S 5/2001 Wang et al. D14/342
- D442,583 S 5/2001 Ohta et al. D14/346
- D443,612 S 6/2001 Evers et al. D14/341
- D443,613 S 6/2001 Do et al. D14/345
- D443,614 S 6/2001 Do et al. D14/345
- D445,418 S 7/2001 Chen D14/341
- D446,526 S 8/2001 Evers et al. D14/441
- D452,687 S 1/2002 Yeh D14/342
- D452,968 S 1/2002 Evers et al. D14/345
- D454,348 S 3/2002 Yeh D14/342
- D454,349 S 3/2002 Makidera et al. D14/343
- D456,289 S 4/2002 Laverick D10/85
- D456,804 S 5/2002 Fisher et al. D14/341
- D456,805 S 5/2002 Ono et al. D14/342
- D460,756 S 7/2002 Allen, Jr. et al. D14/341
- 6,434,403 B1 8/2002 Ausems et al. 455/556
- D463,423 S 9/2002 Webb D14/343
- D463,424 S 9/2002 Ausems D14/343
- D477,597 S 7/2003 Laverick et al. D14/346
- 6,600,450 B1 * 7/2003 Efanov et al. 343/726
- D484,127 S 12/2003 Laverick et al. D14/345
- 6,686,887 B2 * 2/2004 Kasuya et al. 343/702
- 6,762,725 B2 * 7/2004 Beard et al. 343/702

* cited by examiner

Primary Examiner—Louis S. Zarfaz

Assistant Examiner—John Windmuller

(74) *Attorney, Agent, or Firm*—Devon A. Rolf

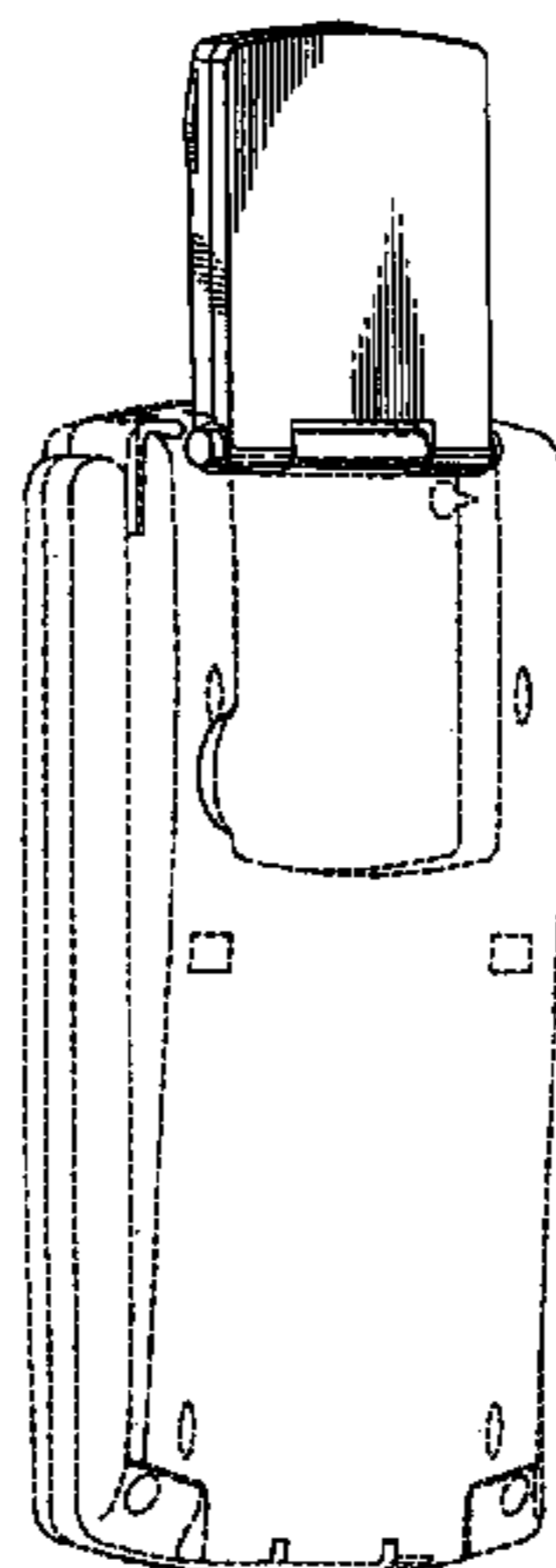
(57) **CLAIM**

The ornamental design for an antenna for combined personal digital assistant and navigation device, as shown and described.

DESCRIPTION

FIG. 1 is a perspective view of an antenna showing our new design;
FIG. 2 is a rear elevation view of the antenna;
FIG. 3 is a front elevation view of the antenna;
FIG. 4 is a first side elevation view of the antenna;
FIG. 5 is a second side elevation view of the antenna;
FIG. 6 is a top plan view of the antenna; and,
FIG. 7 is a bottom plan view of the antenna.

1 Claim, 2 Drawing Sheets



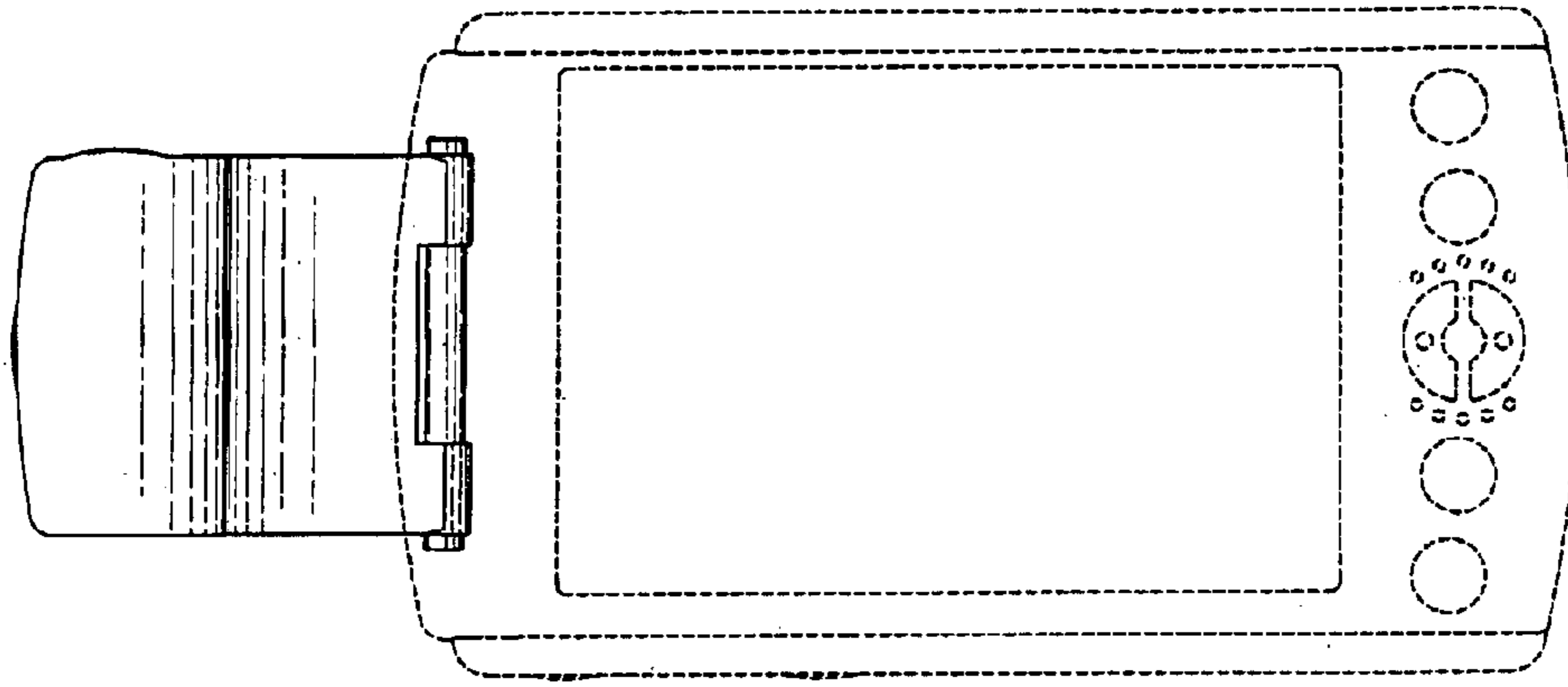


Fig. 3.

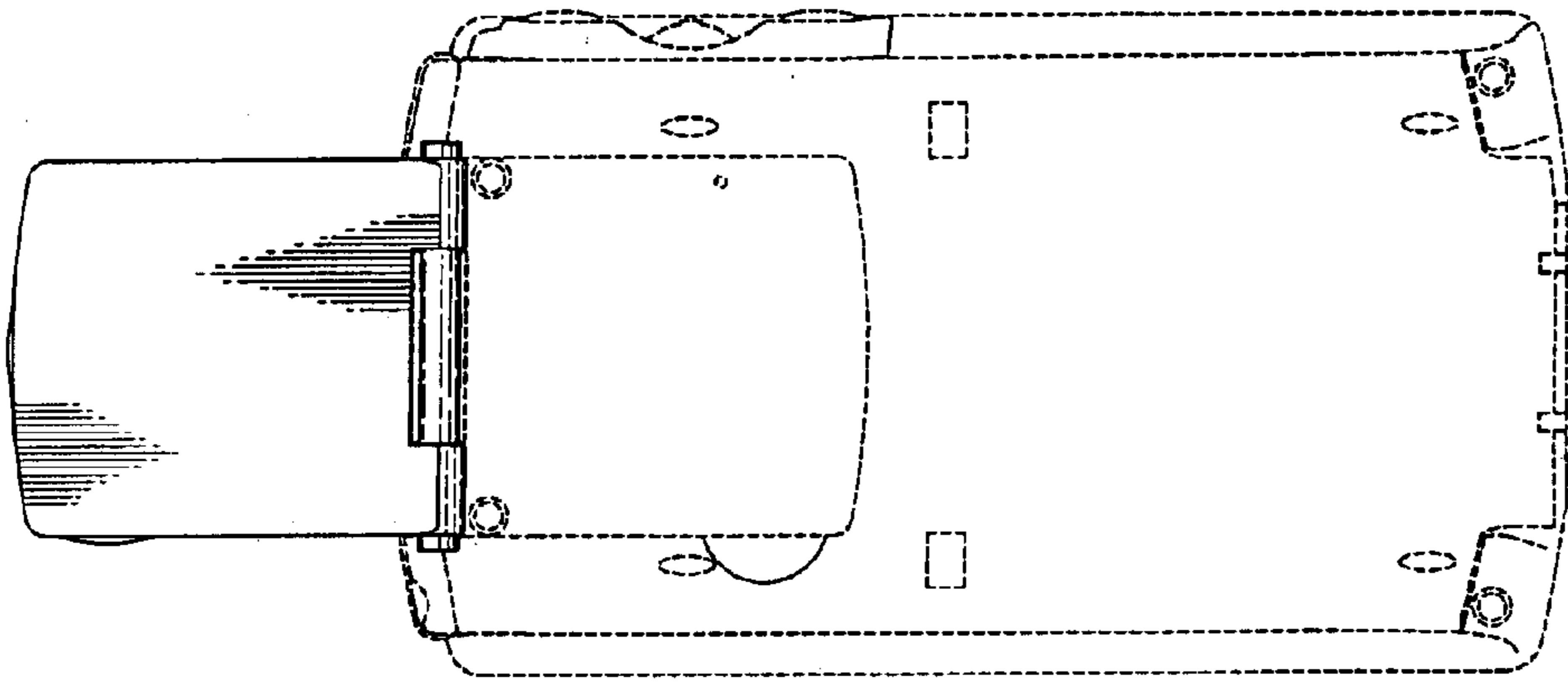


Fig. 2.

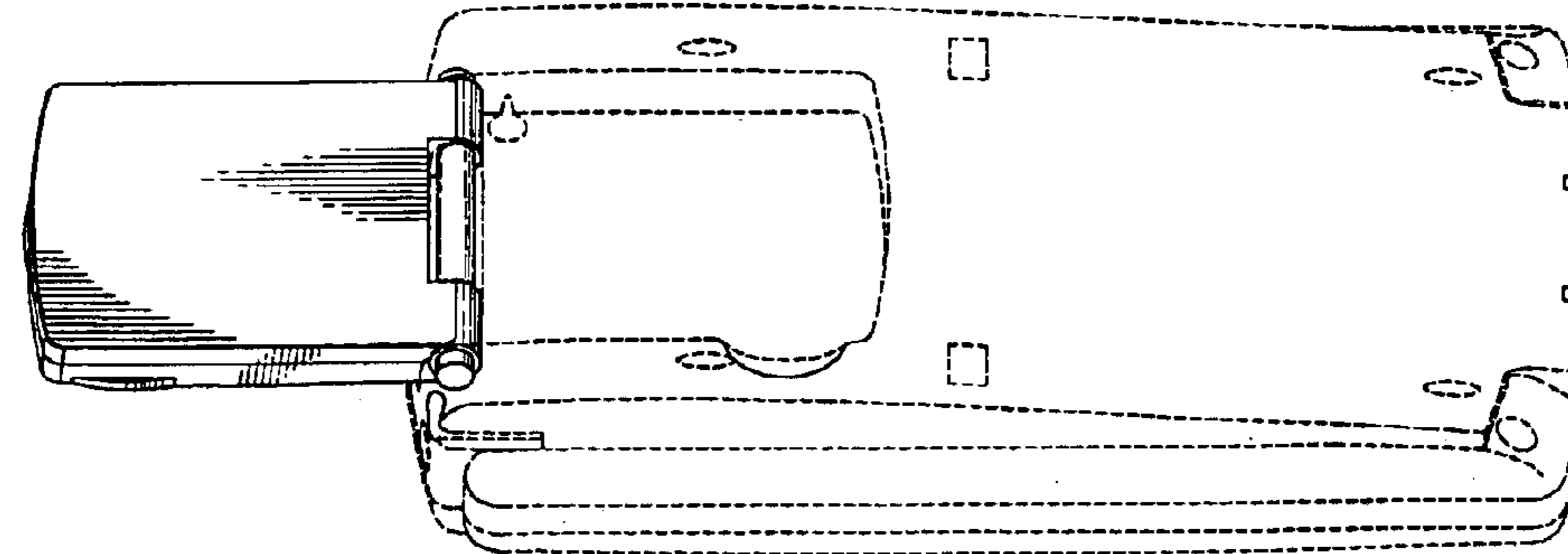


Fig. 1.

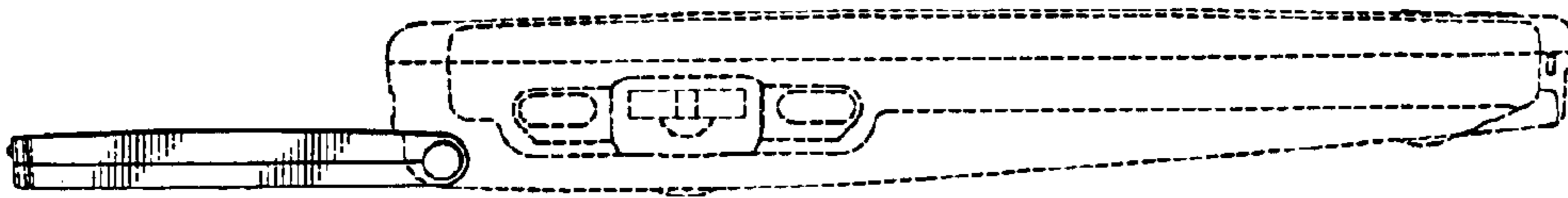


Fig. 4.

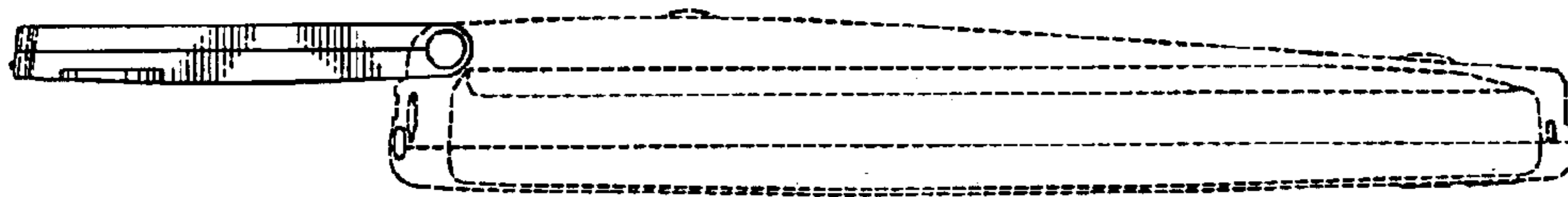


Fig. 5.

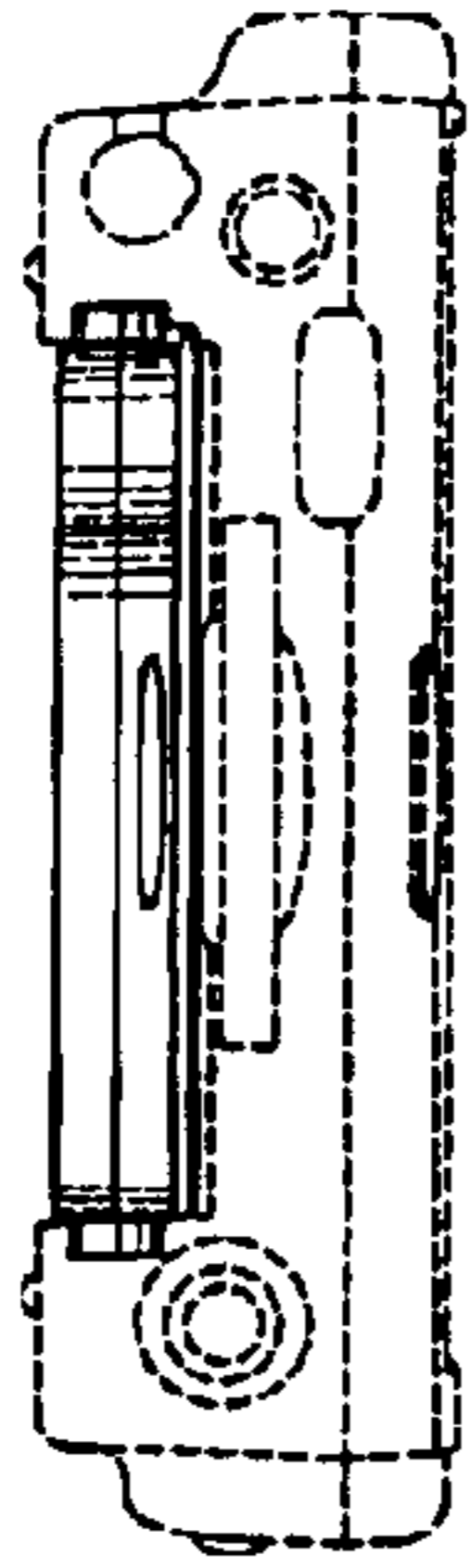


Fig. 6.

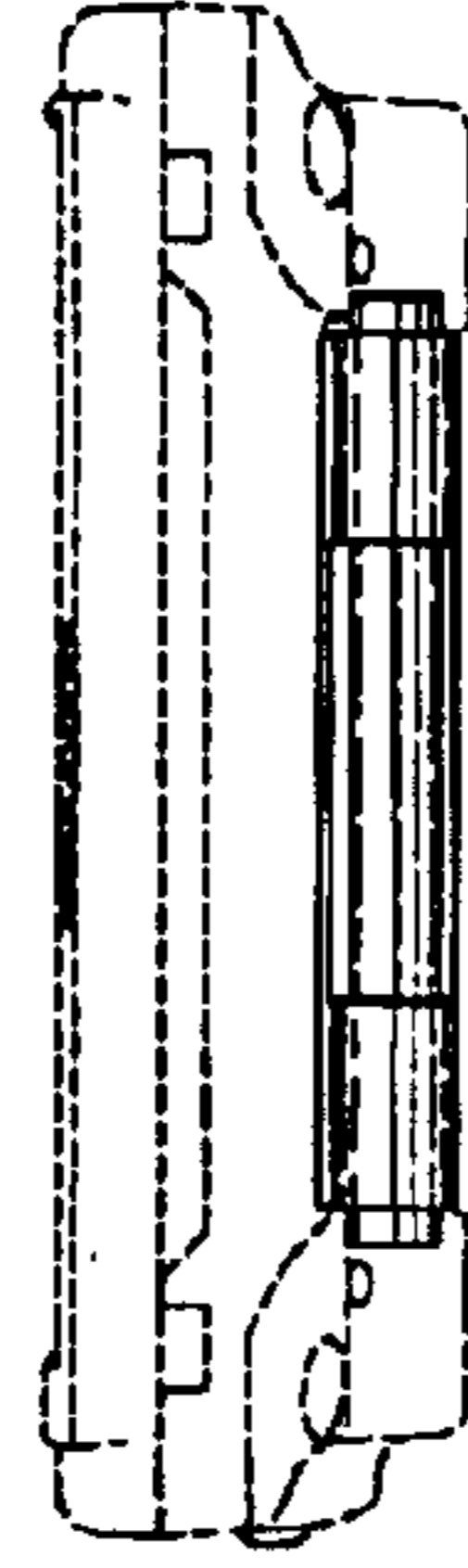


Fig. 7.