



US00D510927S

(12) **United States Design Patent**  
**Harris, Jr. et al.**

(10) **Patent No.: US D510,927 S**  
(45) **Date of Patent: \*\* Oct. 25, 2005**

(54) **ALL TERRAIN RADIO**

(75) Inventors: **Kenneth David Harris, Jr.**, Nashua, NH (US); **Joseph Geringer**, Merrimack, NH (US); **Timothy L. Trzepacz**, Auburn, NH (US); **Rudy Woodard**, Boston, MA (US)

(73) Assignee: **Brookstone Purchasing, Inc.**, Merrimack, NH (US)

(\*\*) Term: **14 Years**

(21) Appl. No.: **29/197,114**

(22) Filed: **Jan. 9, 2004**

(51) **LOC (8) Cl. .... 14-03**

(52) **U.S. Cl. .... D14/188; D14/196**

(58) **Field of Search .... D14/188, 192, D14/194-198, 168, 169, 265, 496; 455/344-351**

(56) **References Cited**

**U.S. PATENT DOCUMENTS**

D230,887 S	*	3/1974	Fink	.....	D14/198
D240,315 S	*	6/1976	Kimbell et al.	.....	D14/195
D266,846 S	*	11/1982	Hills	.....	D14/198
D313,019 S	*	12/1990	Azuolos	.....	D14/188

D348,461 S	*	7/1994	Peersmann	.....	D14/189
D349,116 S	*	7/1994	Peersmann	.....	D14/189
5,471,659 A	*	11/1995	Wong	.....	455/132
D451,084 S	*	11/2001	Su	.....	D14/188
D486,816 S	*	2/2004	Nakajima et al.	.....	D14/169
D495,012 S	*	8/2004	Morimoto	.....	D14/188

\* cited by examiner

*Primary Examiner*—Prabhakar Deshmukh

(74) *Attorney, Agent, or Firm*—Nixon Peabody LLP; Tim L. Brackett, Jr.

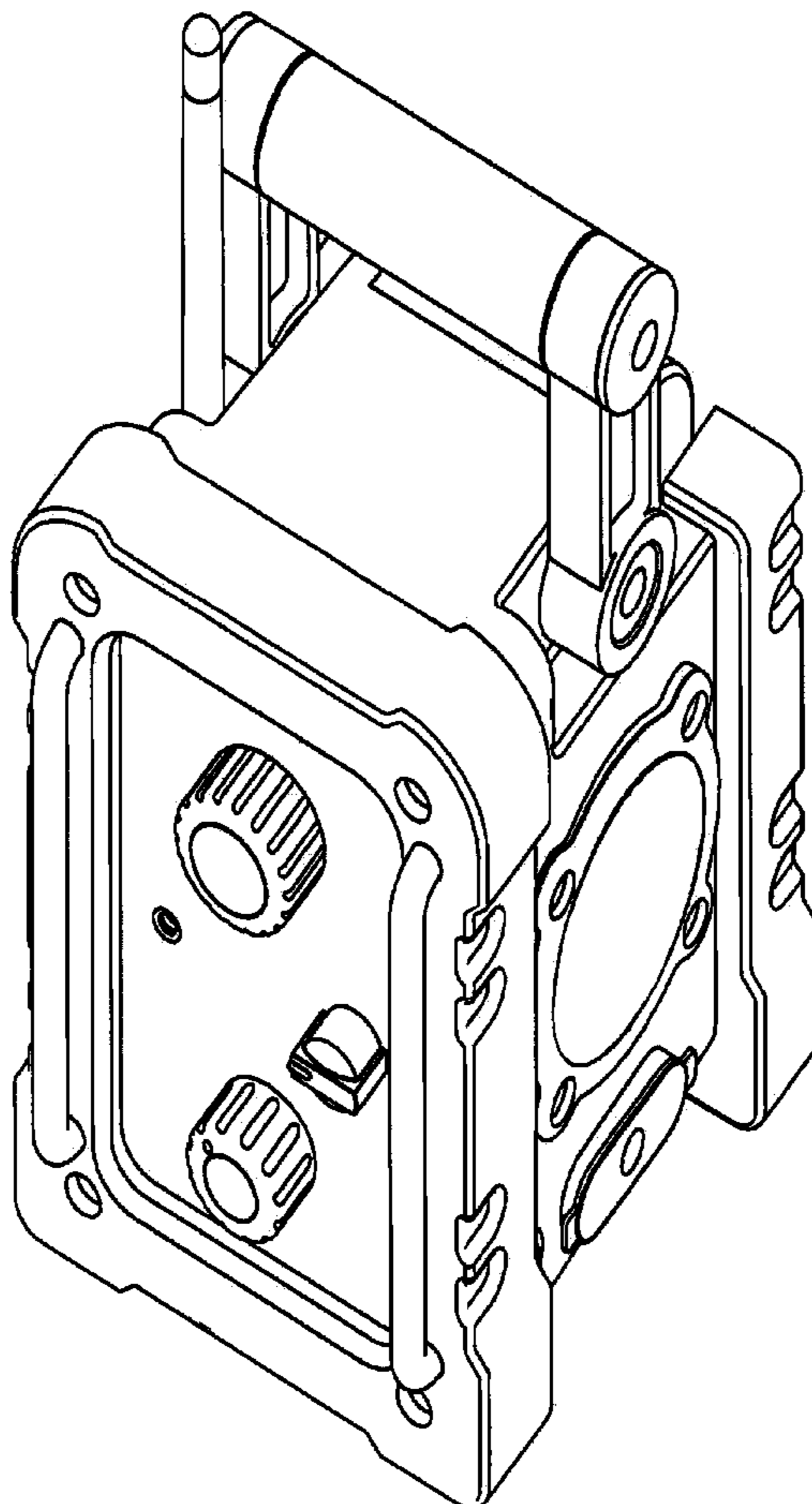
(57) **CLAIM**

I claim the ornamental design for an all terrain radio, as shown and described.

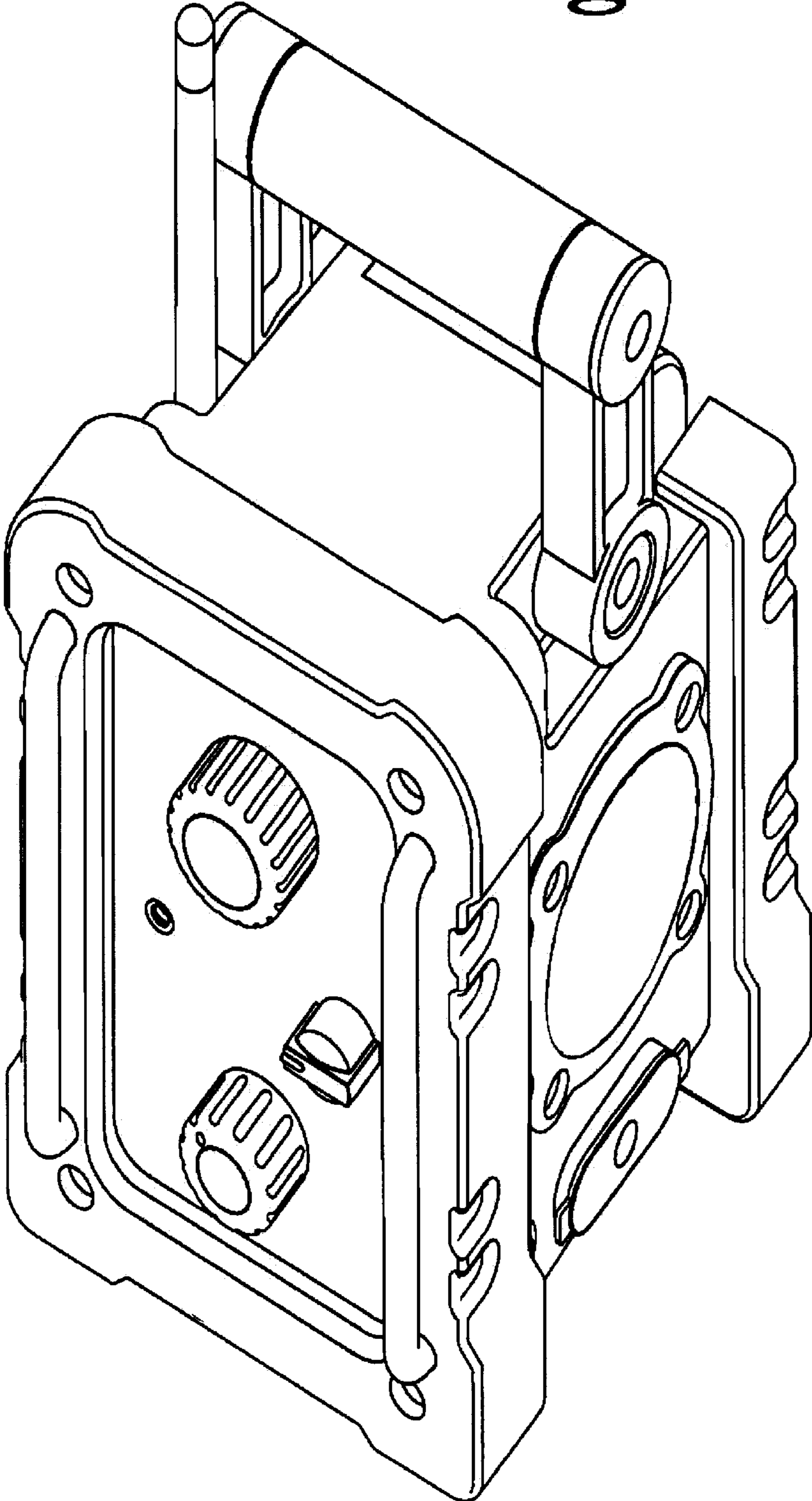
**DESCRIPTION**

FIG. 1 is a front, top perspective view of an all terrain radio, showing our new design;  
FIG. 2. is a top plan view thereof;  
FIG. 3. is a bottom plan view thereof;  
FIG. 4 is a right-side elevational view thereof;  
FIG. 5 is a left-side elevational view thereof;  
FIG. 6 is a front elevational view thereof; and,  
FIG. 7 is a rear elevation view of the all terrain radio.

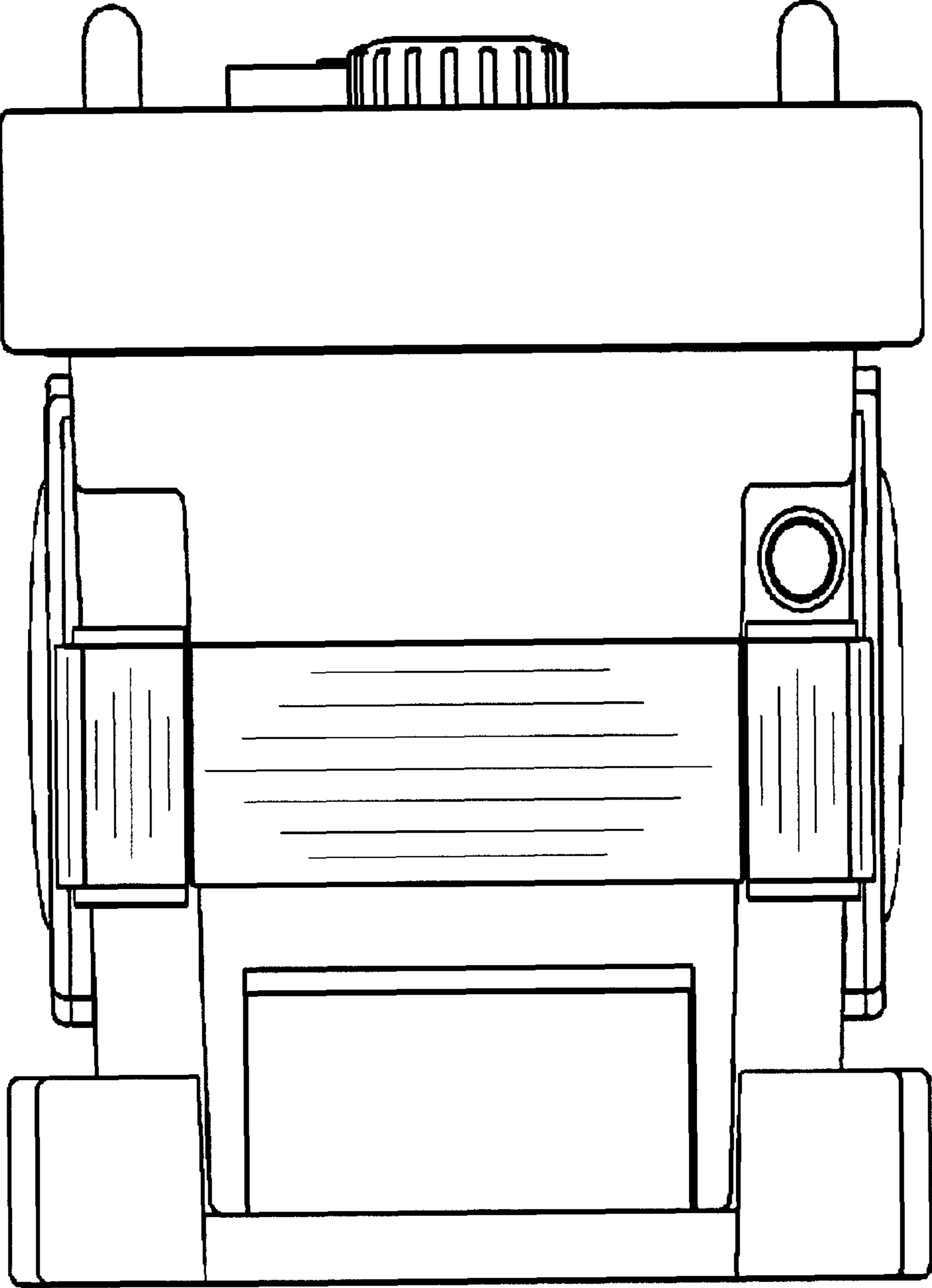
**1 Claim, 7 Drawing Sheets**



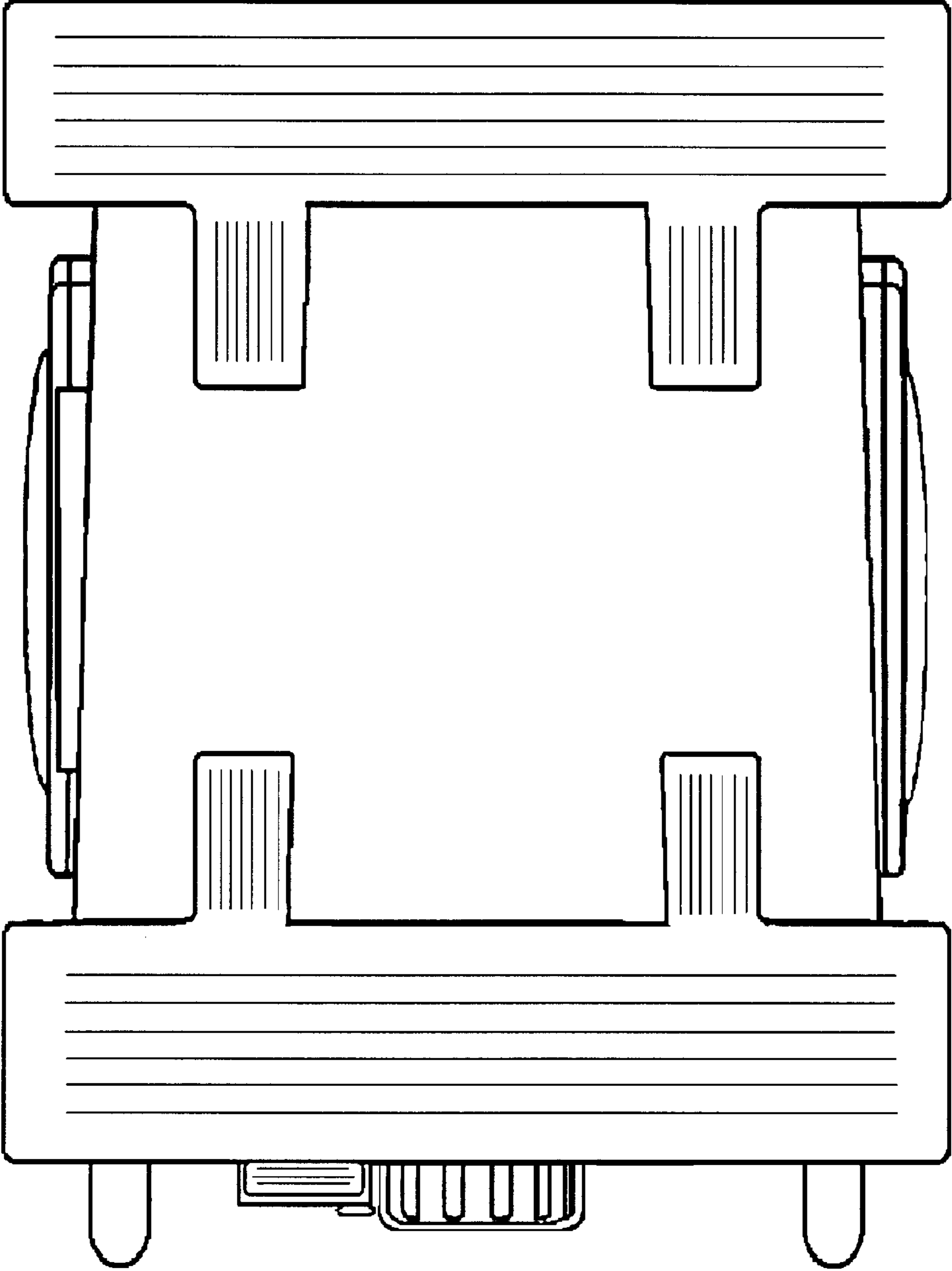
**Figure 1**



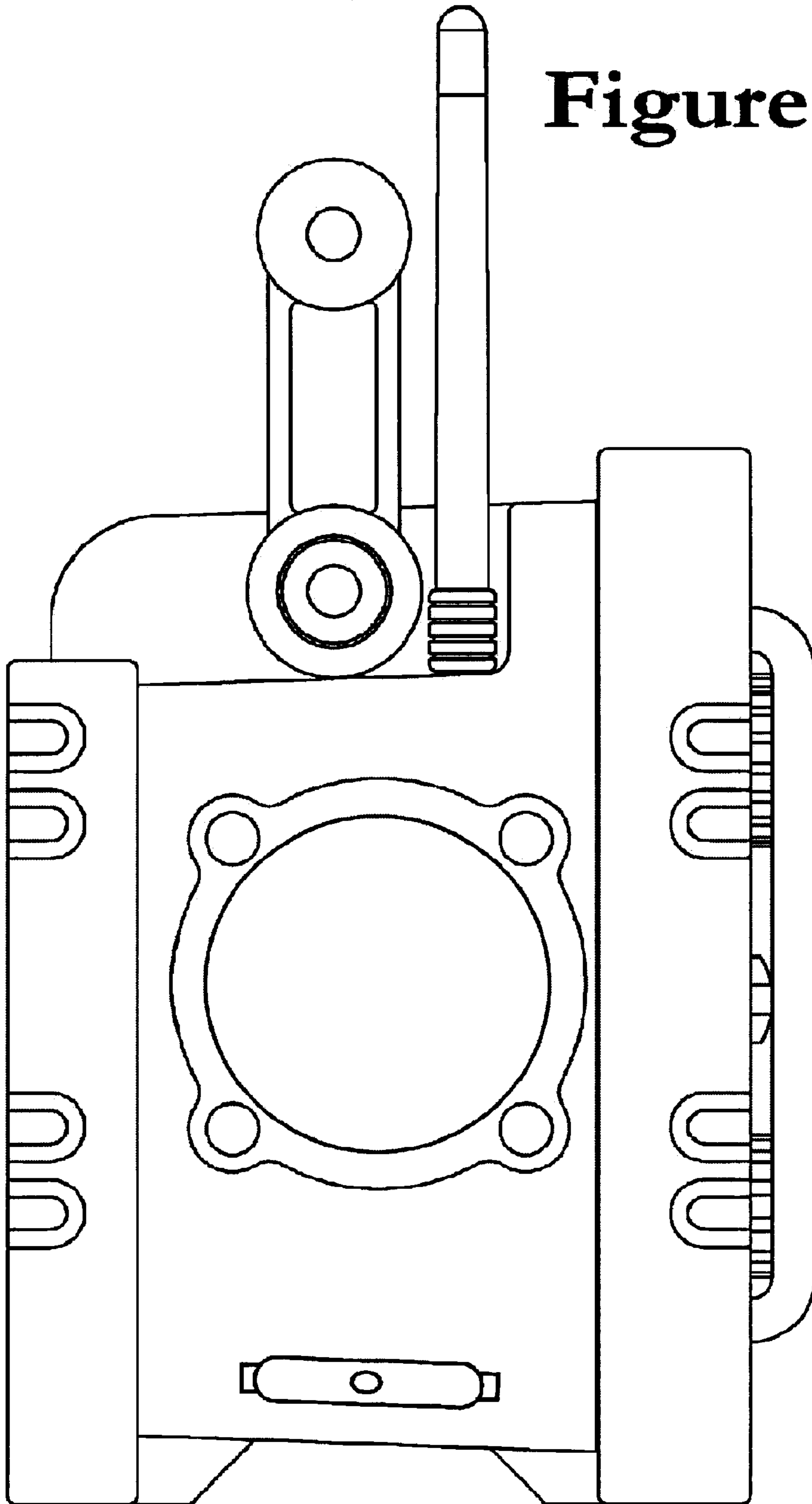
# Figure 2



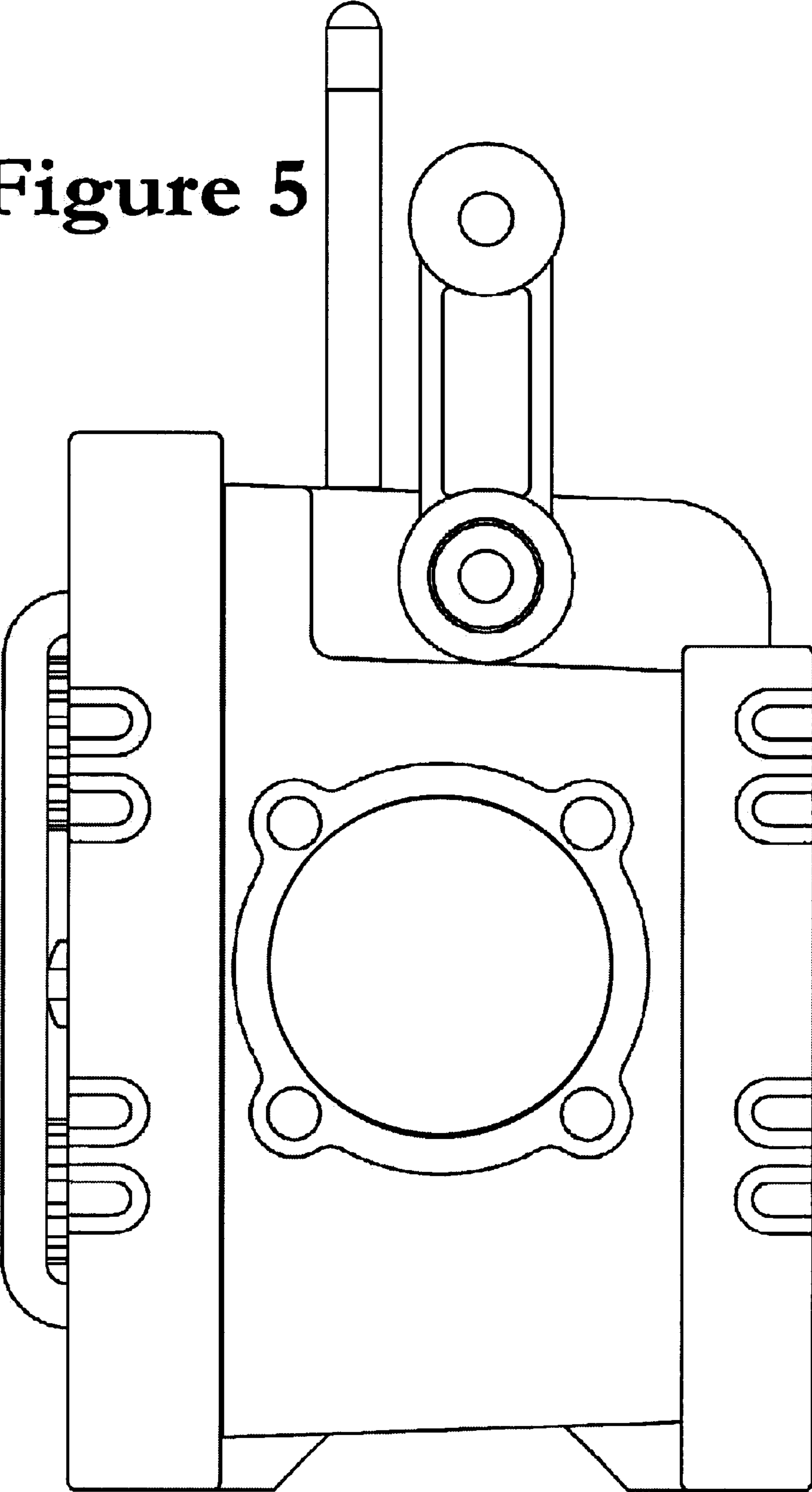
# Figure 3



**Figure 4**

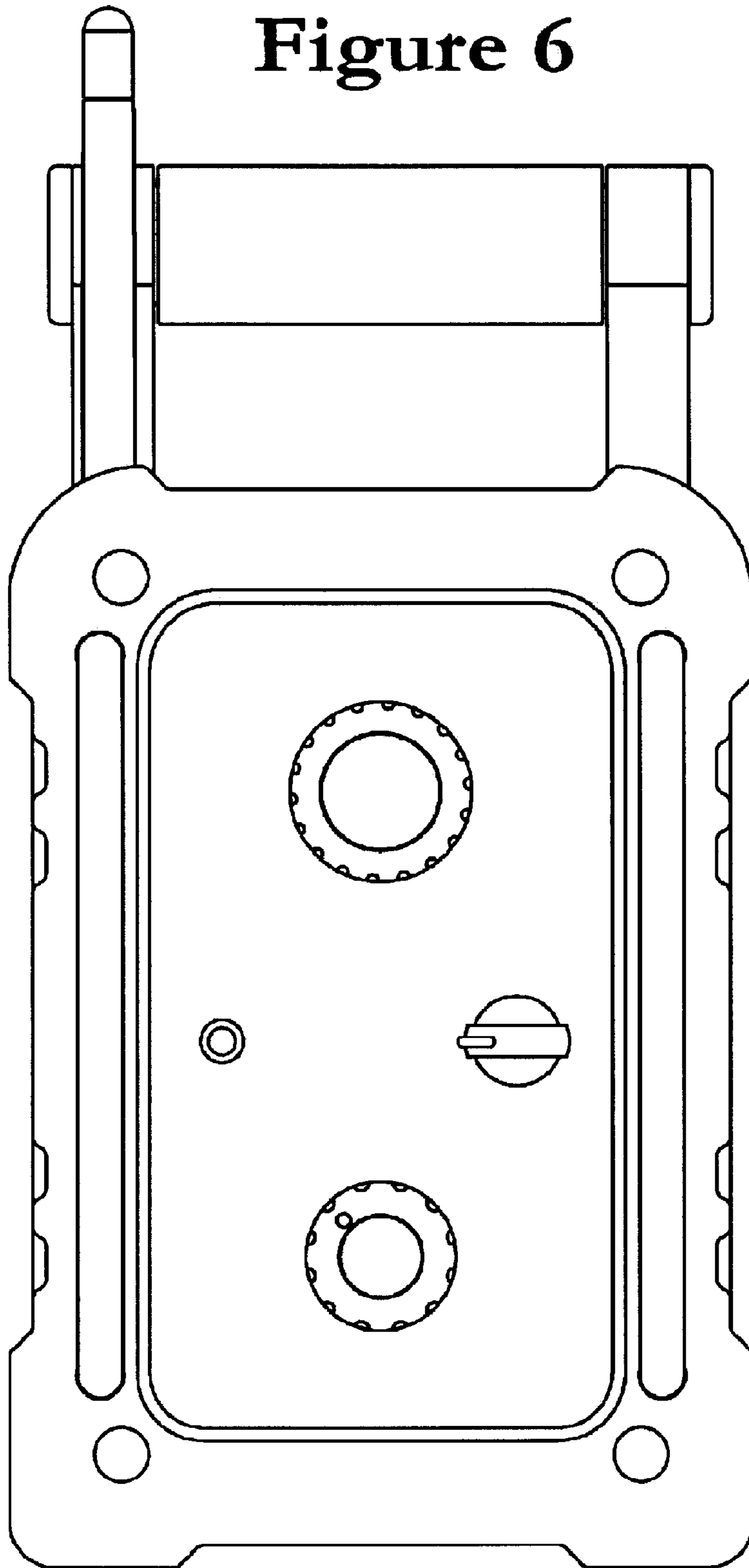


**Figure 5**





**Figure 6**



**Figure 7**

