



US00D510926S

(12) **United States Design Patent**
Jerome

(10) **Patent No.: US D510,926 S**

(45) **Date of Patent: ** Oct. 25, 2005**

(54) **COMPACT DISC PLAYER WITH TUNER**

D440,550 S * 4/2001 Nakano D14/168
D452,963 S * 1/2002 Suzuki D14/168
D468,717 S * 1/2003 Cuvelier D14/168
D475,362 S * 6/2003 Suzuki D14/168

(75) Inventor: **Michael Jerome**, Hong Kong (HK)

(73) Assignee: **Koninklijke Philips Electronics, N.V.**,
Eindhoven (NL)

* cited by examiner

(**) Term: **14 Years**

Primary Examiner—Nanda Bondade

(21) Appl. No.: **29/195,026**

(22) Filed: **Dec. 4, 2003**

(57) **CLAIM**

The ornamental design for a compact disc player with tuner,
as shown.

(51) **LOC (8) Cl.** **14-01**

(52) **U.S. Cl.** **D14/156**; D14/168

(58) **Field of Search** D14/135–136,
D14/156–157, 160–165, 167–168, 193–198,
188–189; 455/347–351; 369/75.1, 75.2,
77.1, 77.2

DESCRIPTION

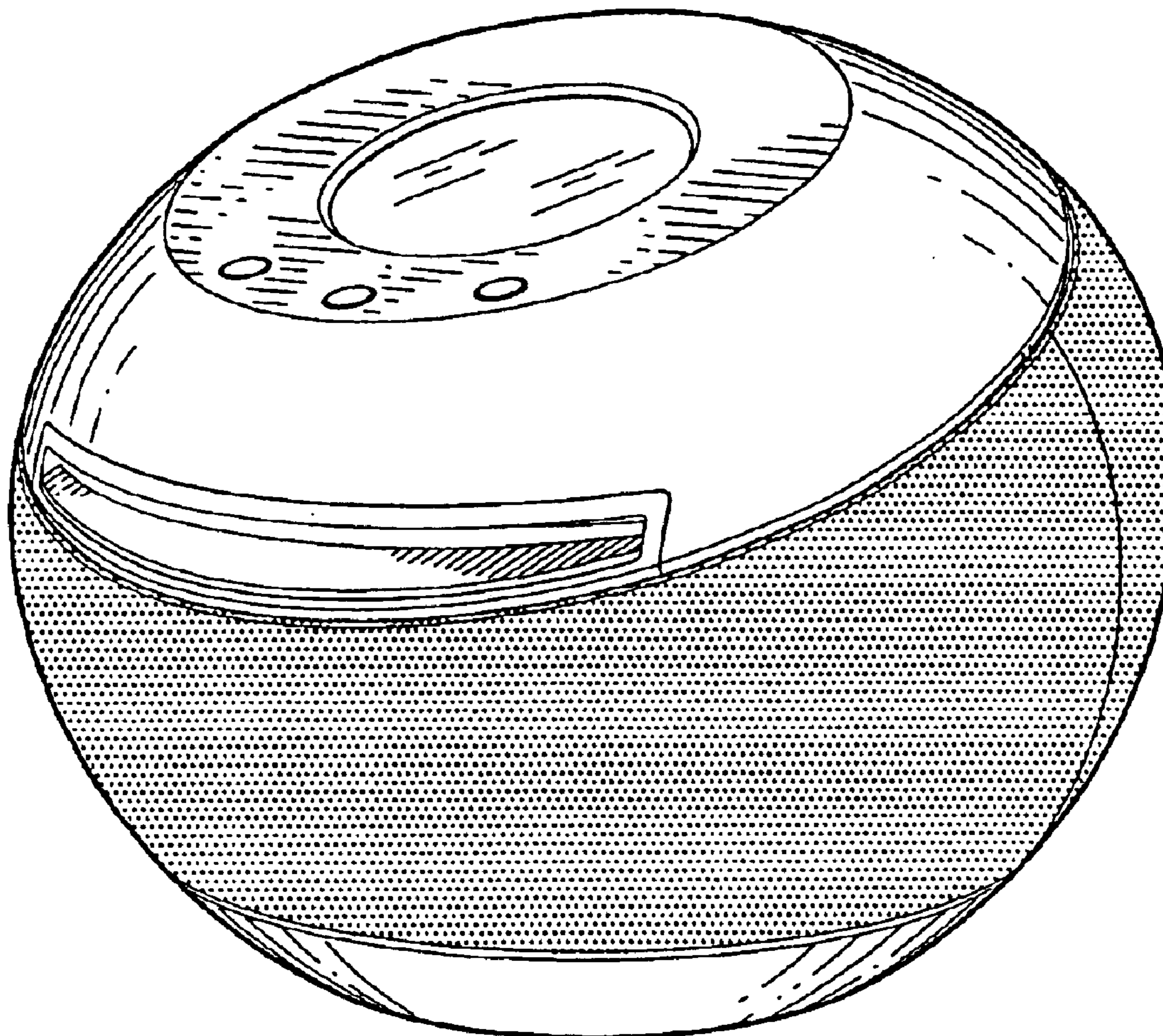
FIG. 1 is a perspective view showing my design;
FIG. 2 is a front elevational view thereof;
FIG. 3 is a rear elevational view thereof;
FIG. 4 is a right side elevational view thereof;
FIG. 5 is a left side elevational view thereof;
FIG. 6 is a top plan view thereof; and,
FIG. 7 is a bottom plan view thereof.

(56) **References Cited**

U.S. PATENT DOCUMENTS

D421,989 S * 3/2000 Cheung D14/156

1 Claim, 4 Drawing Sheets



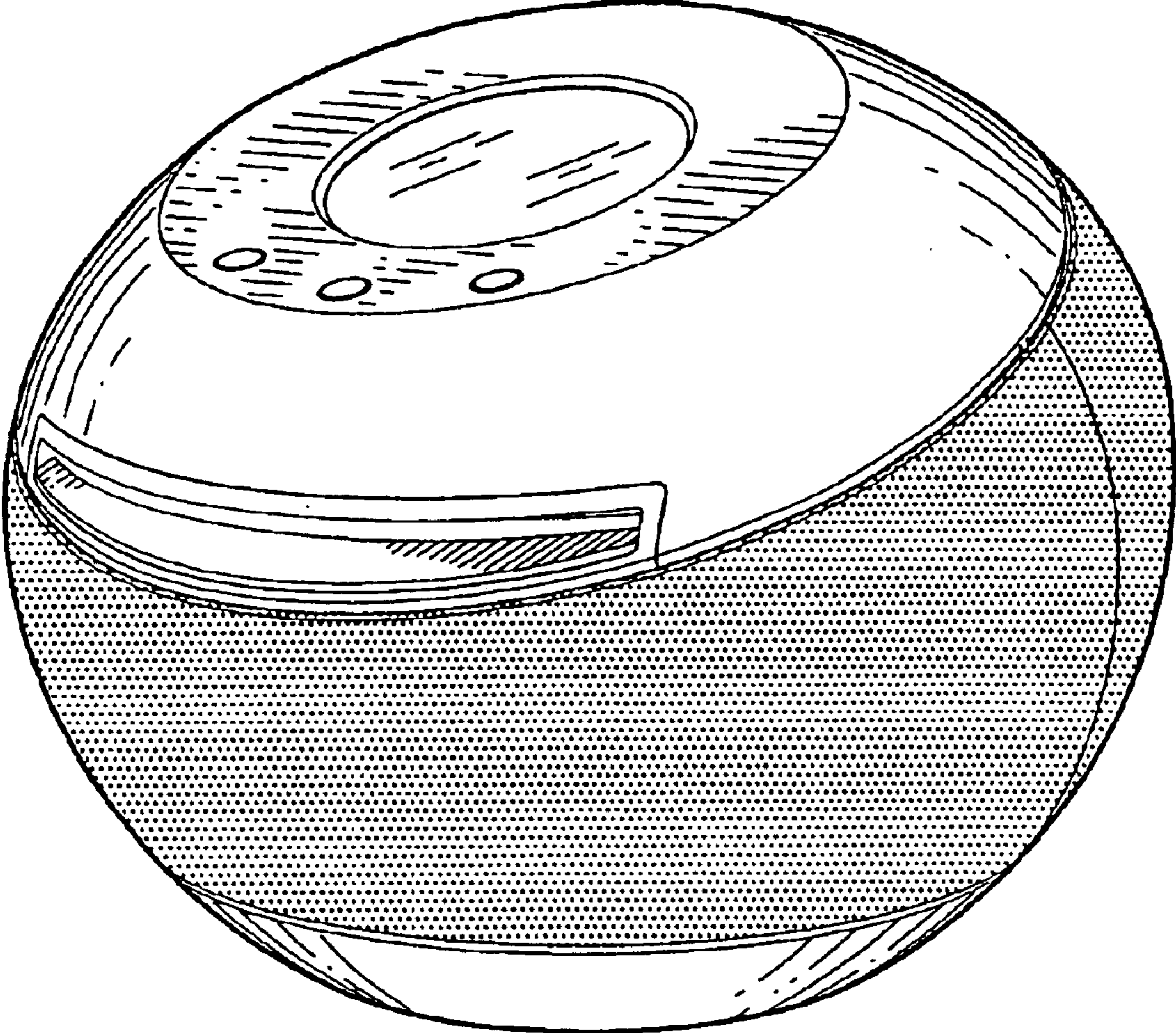


FIG. 1

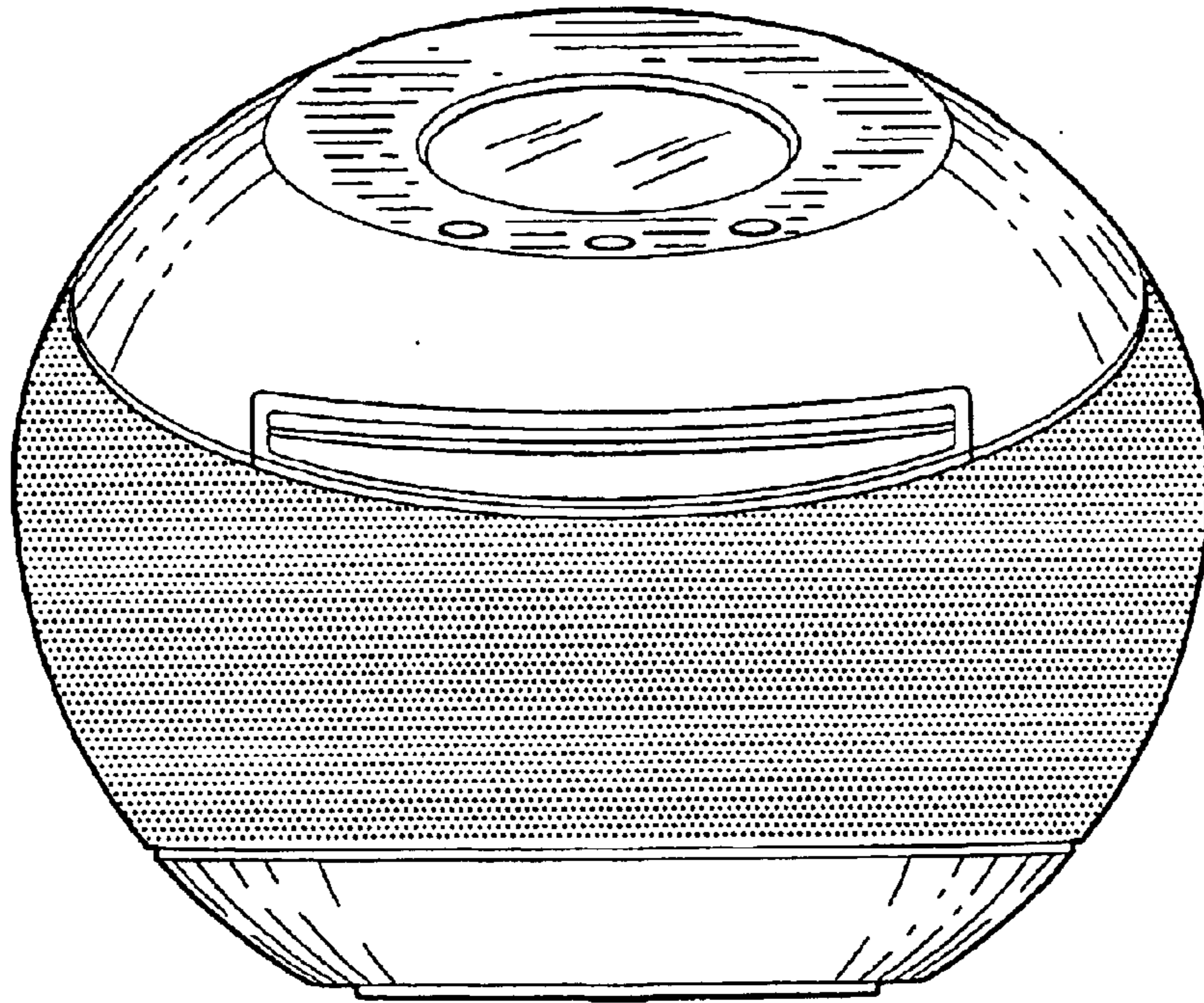


FIG. 2

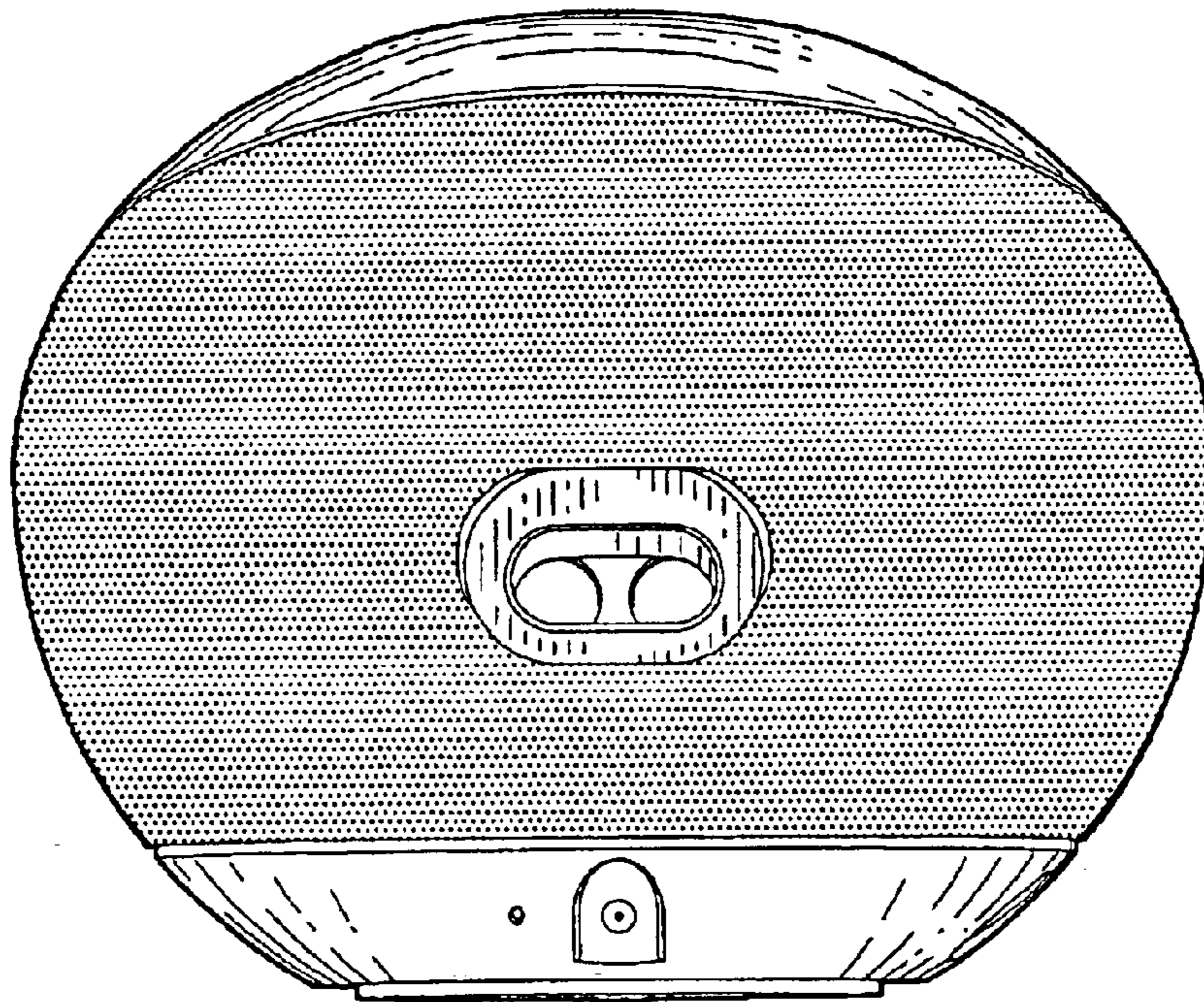


FIG. 3

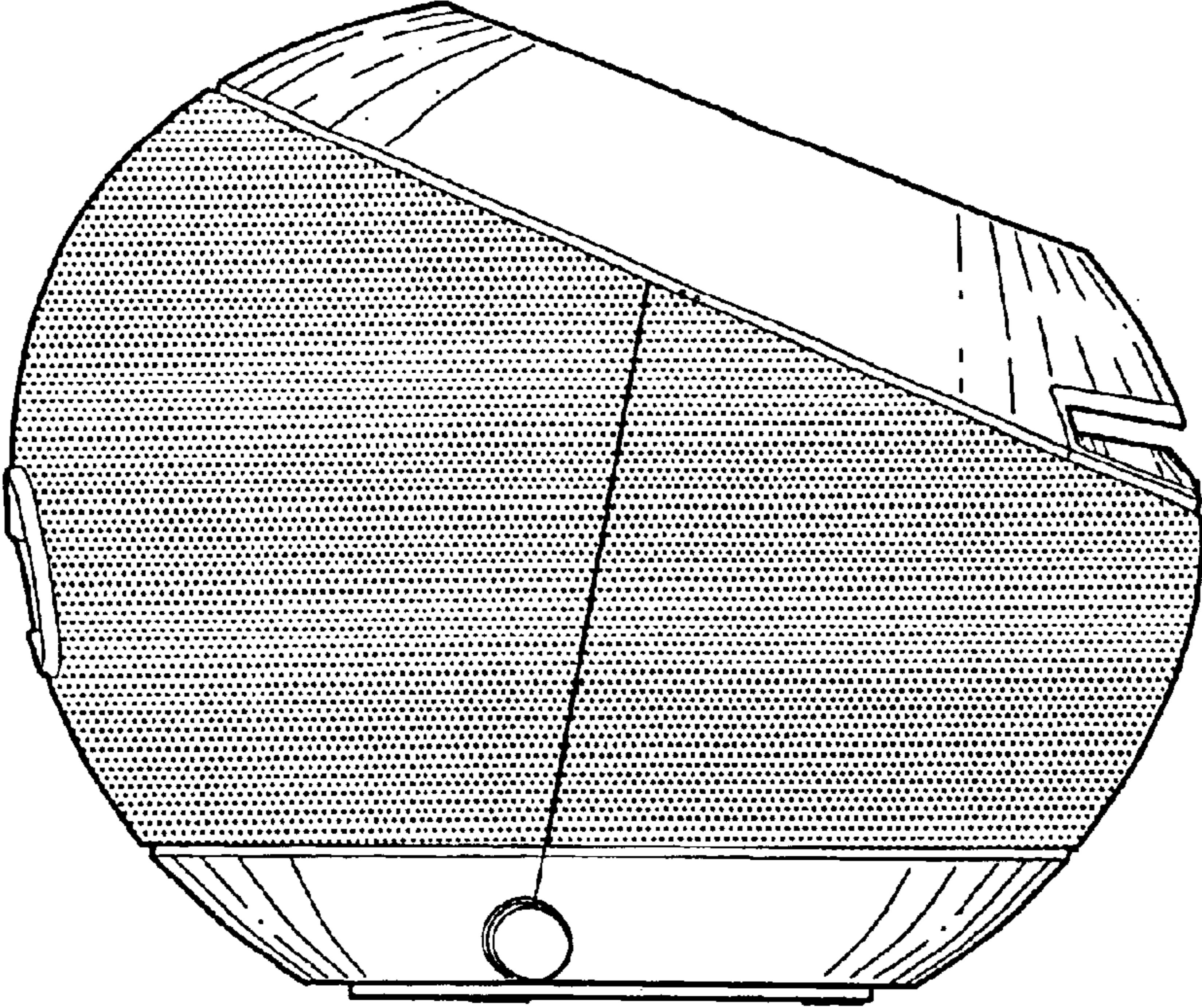


FIG. 4

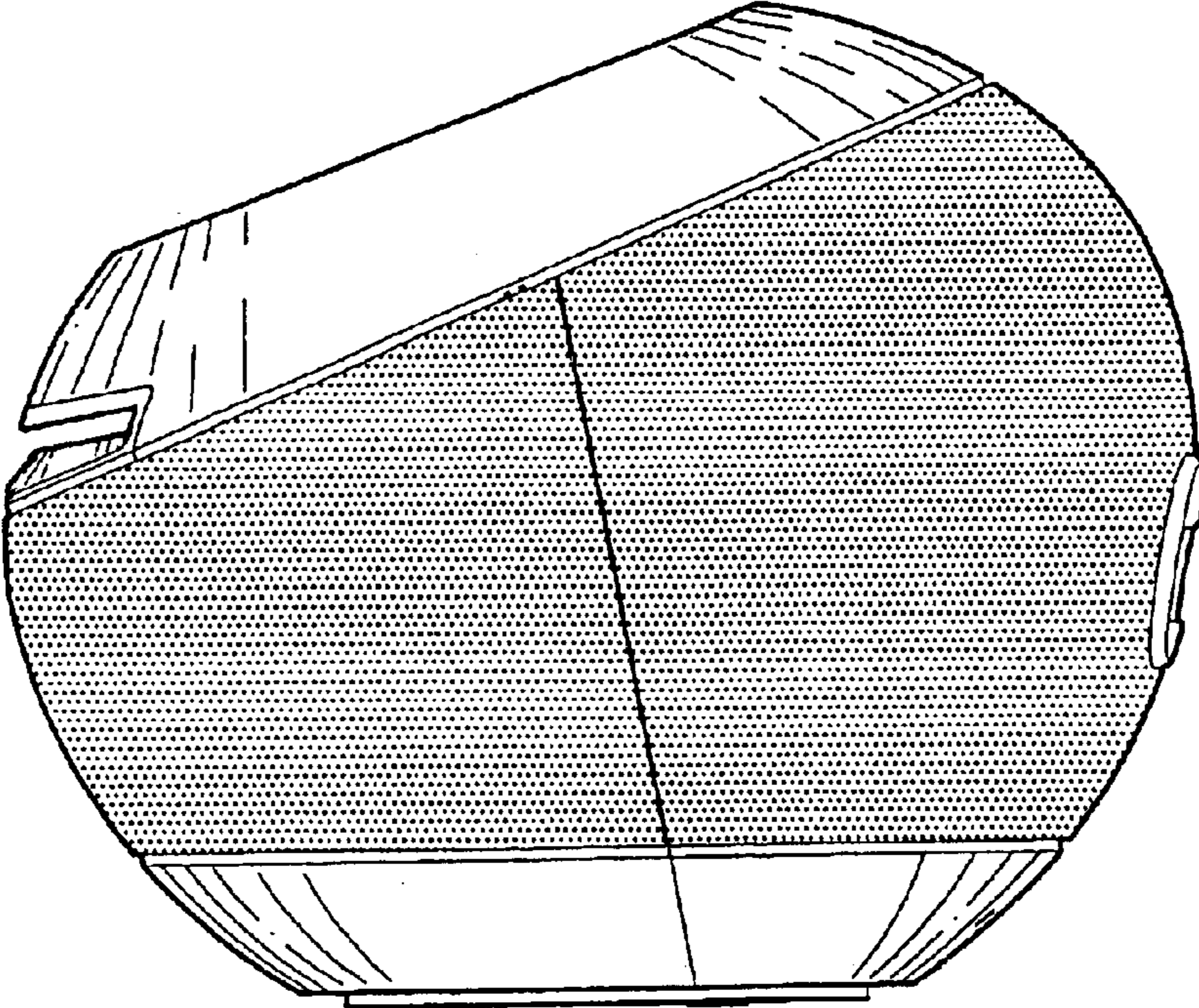


FIG. 5

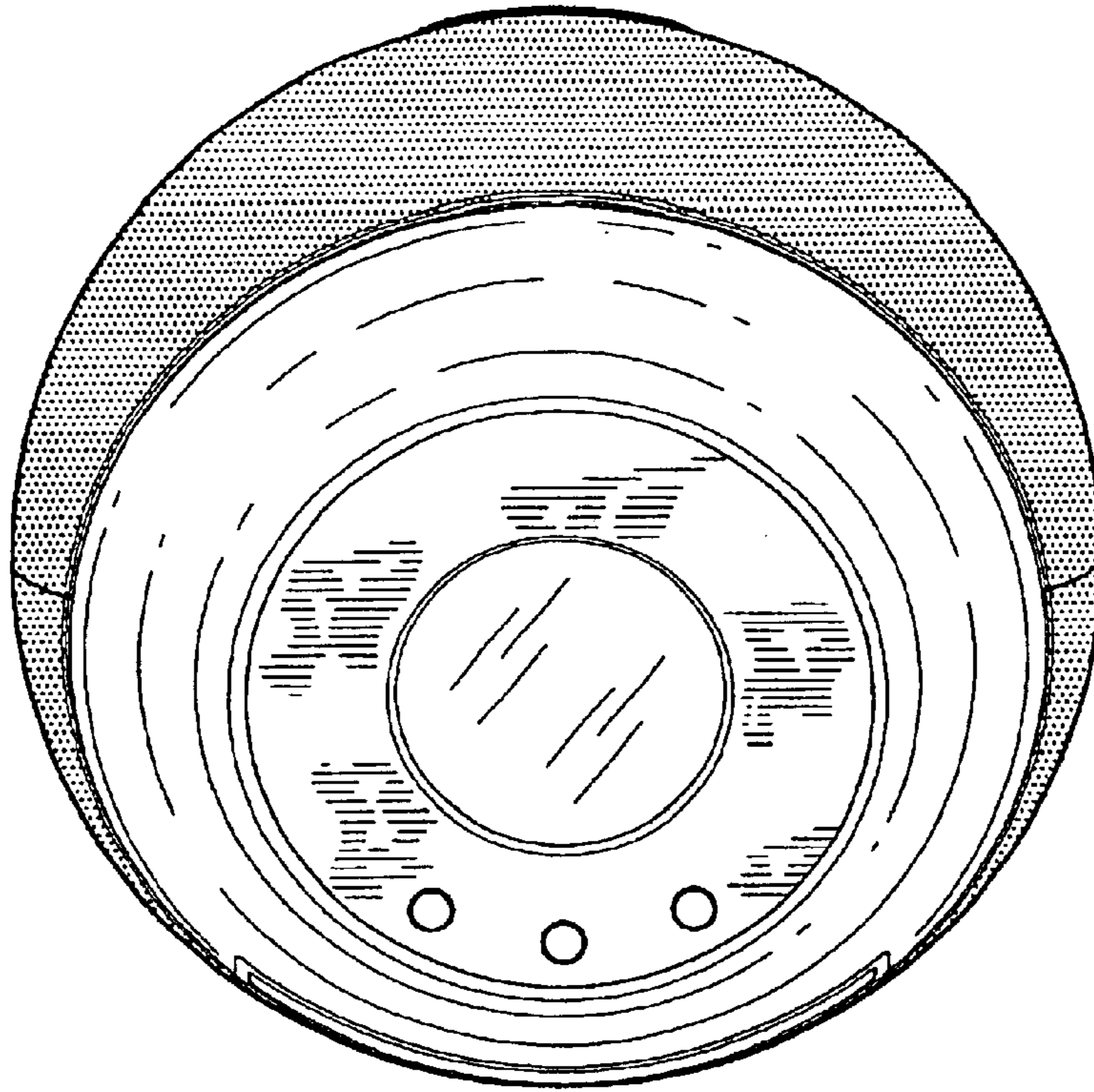


FIG. 6

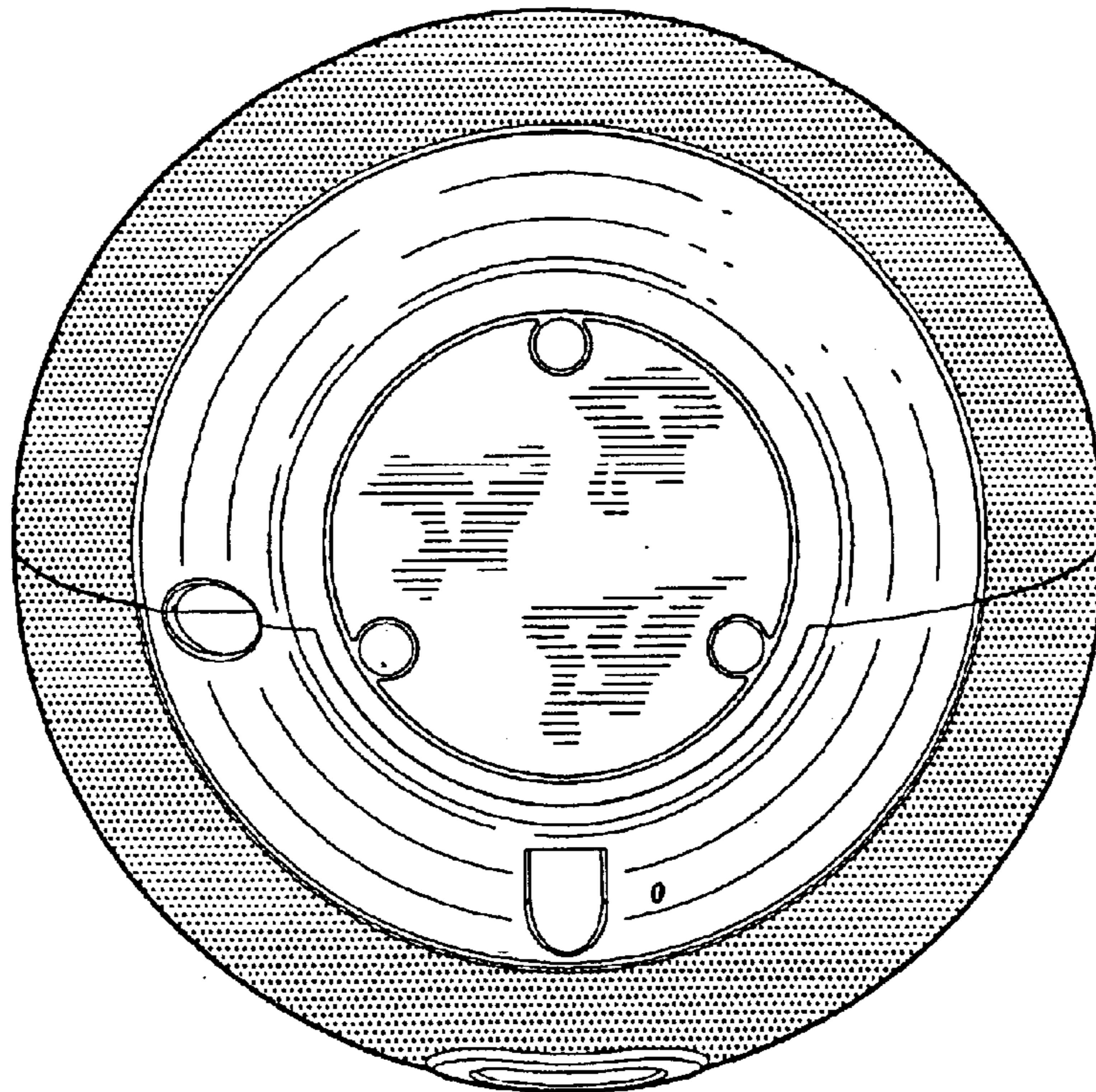


FIG. 7