



US00D510922S

(12) **United States Design Patent**  
**Kim et al.**

(10) **Patent No.: US D510,922 S**

(45) **Date of Patent: \*\* \*Oct. 25, 2005**

(54) **PORTABLE TELEPHONE**

(75) Inventors: **Yu-Guen Kim**, Gumi-Si (KR);  
**Hyun-Seop Kim**, Gunpo-Si (KR);  
**Chang-Hwan Hwang**, Goyang-Si (KR)

(73) Assignee: **Samsung Electronics Co., Ltd.**, Suwon (KR)

(\*) Notice: This patent is subject to a terminal disclaimer.

(\*\*) Term: **14 Years**

(21) Appl. No.: **29/206,806**

(22) Filed: **Jun. 4, 2004**

(30) **Foreign Application Priority Data**

Dec. 11, 2003 (KR) ..... 30-2003-0035263

(51) **LOC (8) Cl. .... 14-03**

(52) **U.S. Cl. .... D14/138**

(58) **Field of Search** ..... D14/137, 138,  
D14/147-148, 247-248, 144, 341-347;  
379/433.01-433.13, 434; 455/550.1-90.3,  
575.3, 566, 575.1; D21/517

(56) **References Cited**

**U.S. PATENT DOCUMENTS**

5,027,394	A	*	6/1991	Ono et al.	.....	379/434
5,742,912	A	*	4/1998	Nishiyama et al.	.....	455/566
D477,296	S	*	7/2003	Minamide	.....	D14/138
D484,862	S	*	1/2004	Yang	.....	D14/138
D486,462	S	*	2/2004	Lim	.....	D14/138
D487,443	S	*	3/2004	Yoon	.....	D14/138
D488,453	S	*	4/2004	Chang et al.	.....	D14/138
D488,788	S	*	4/2004	Chan	.....	D14/138
D491,907	S	*	6/2004	Ogawa	.....	D14/138
D495,672	S	*	9/2004	Jeon et al.	.....	D14/138
D495,674	S	*	9/2004	Yoo et al.	.....	D14/138
D496,020	S	*	9/2004	Lee	.....	D14/138

D496,021	S	*	9/2004	Jang	.....	D14/138
D496,347	S	*	9/2004	Choi et al.	.....	D14/191
D497,894	S	*	11/2004	Kim	.....	D14/138
D498,734	S	*	11/2004	Joung	.....	D14/138
D500,016	S	*	12/2004	Kim	.....	D14/138
D500,480	S	*	1/2005	Daw	.....	D14/138
2001/0036845	A1	*	11/2001	Park	.....	455/566
2002/0187818	A1	*	12/2002	Kang	.....	455/575
2003/0109232	A1	*	6/2003	Park et al.	.....	455/90
2004/0023684	A1	*	2/2004	Sato et al.	.....	455/550.1
2004/0110541	A1	*	6/2004	Choo	.....	455/566
2004/0185920	A1	*	9/2004	Choi et al.	.....	455/575.1
2004/0185925	A1	*	9/2004	Kim	.....	455/575.3
2004/0203535	A1	*	10/2004	Kim et al.	.....	455/90.3
2004/0209645	A1	*	10/2004	Park et al.	.....	455/556.1
2004/0229646	A1	*	11/2004	Cho	.....	455/556.1
2005/0003852	A1	*	1/2005	Song	.....	455/550.1

**FOREIGN PATENT DOCUMENTS**

JP D1155098 \* 10/2002

\* cited by examiner

*Primary Examiner*—Jeffrey Asch

(74) *Attorney, Agent, or Firm*—Leydig, Voit & Mayer, Ltd.

(57) **CLAIM**

We claim the ornamental design for a portable telephone, as shown and described.

**DESCRIPTION**

FIG. 1 is a perspective view of a portable telephone, when closed, according to our new design;  
FIG. 2 is a front view thereof, when closed;  
FIG. 3 is a rear view thereof, when closed;  
FIG. 4 is a left side view thereof, when closed;  
FIG. 5 is a right side view thereof, when closed;  
FIG. 6 is a top view thereof, when closed;  
FIG. 7 is a bottom view thereof, when closed; and,  
FIG. 8 is a front view thereof, when open.

**1 Claim, 5 Drawing Sheets**

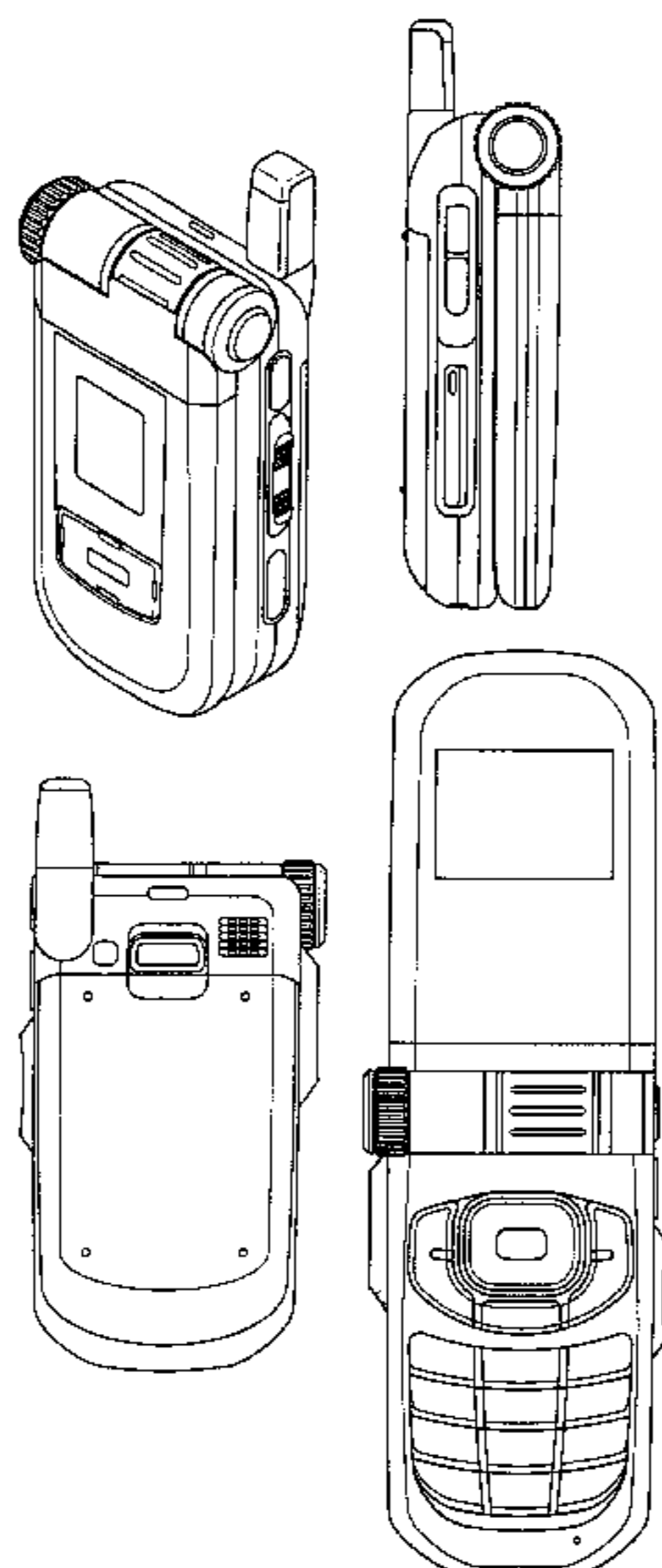


FIG. 1

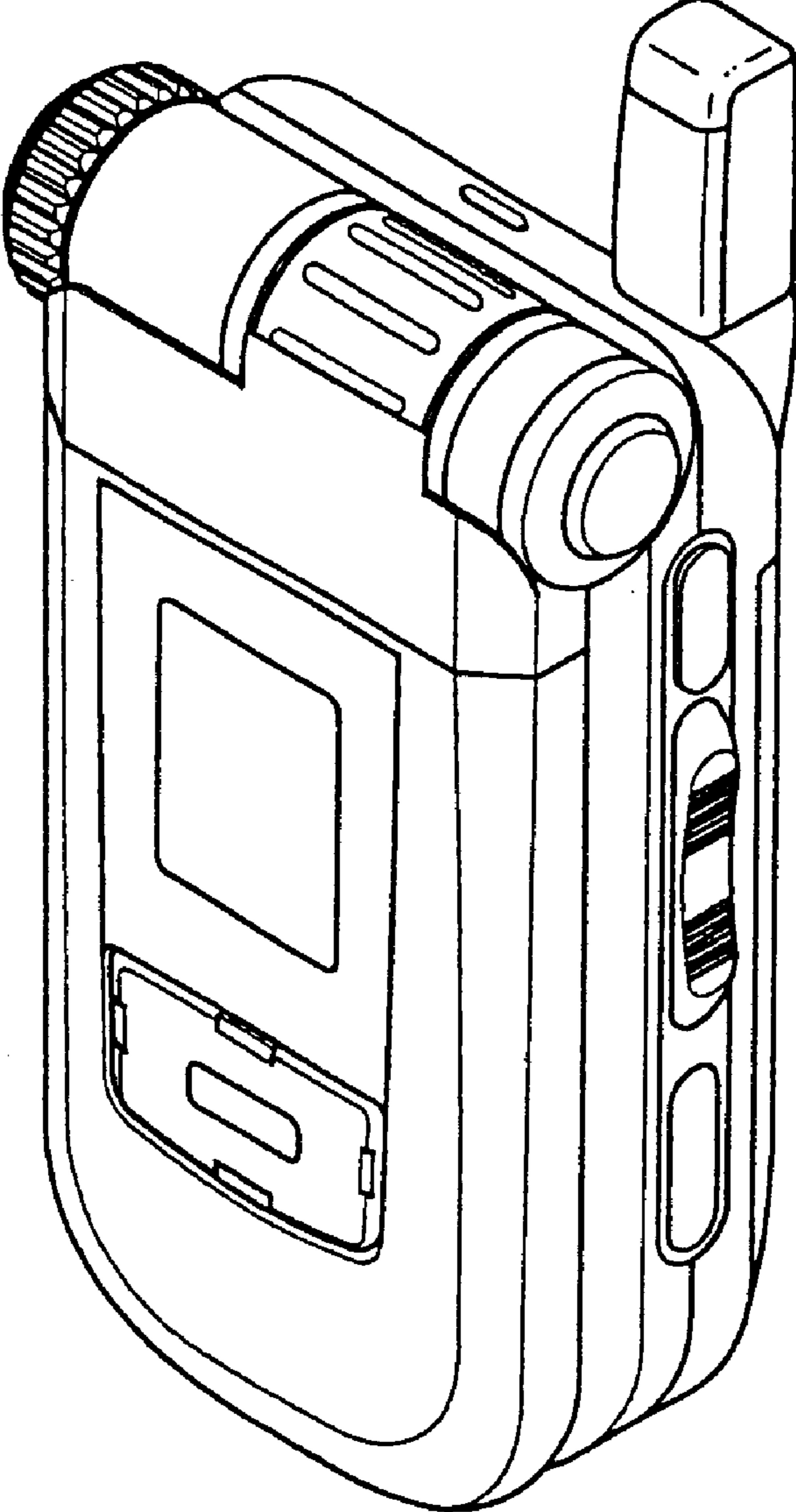


FIG. 2

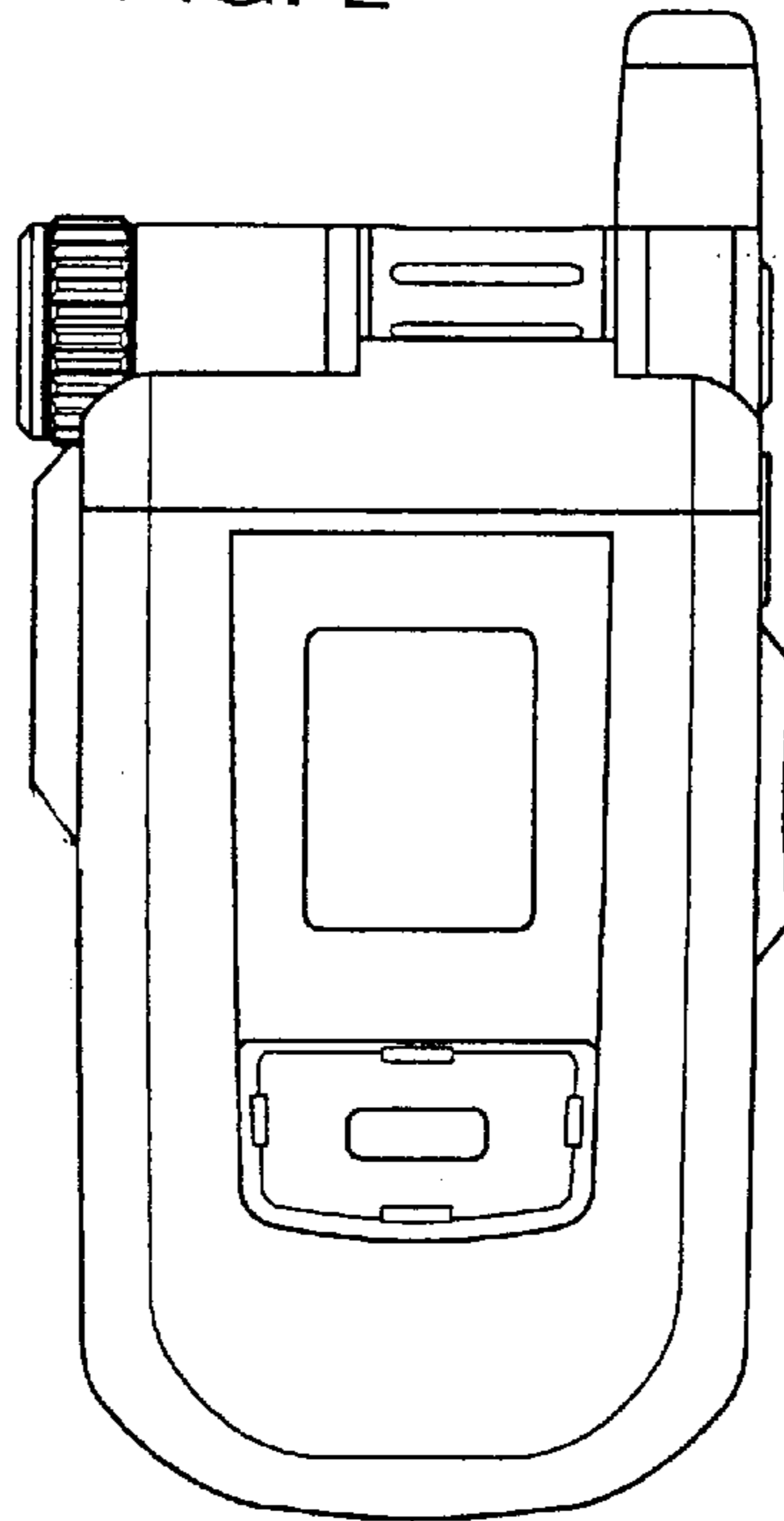


FIG. 3

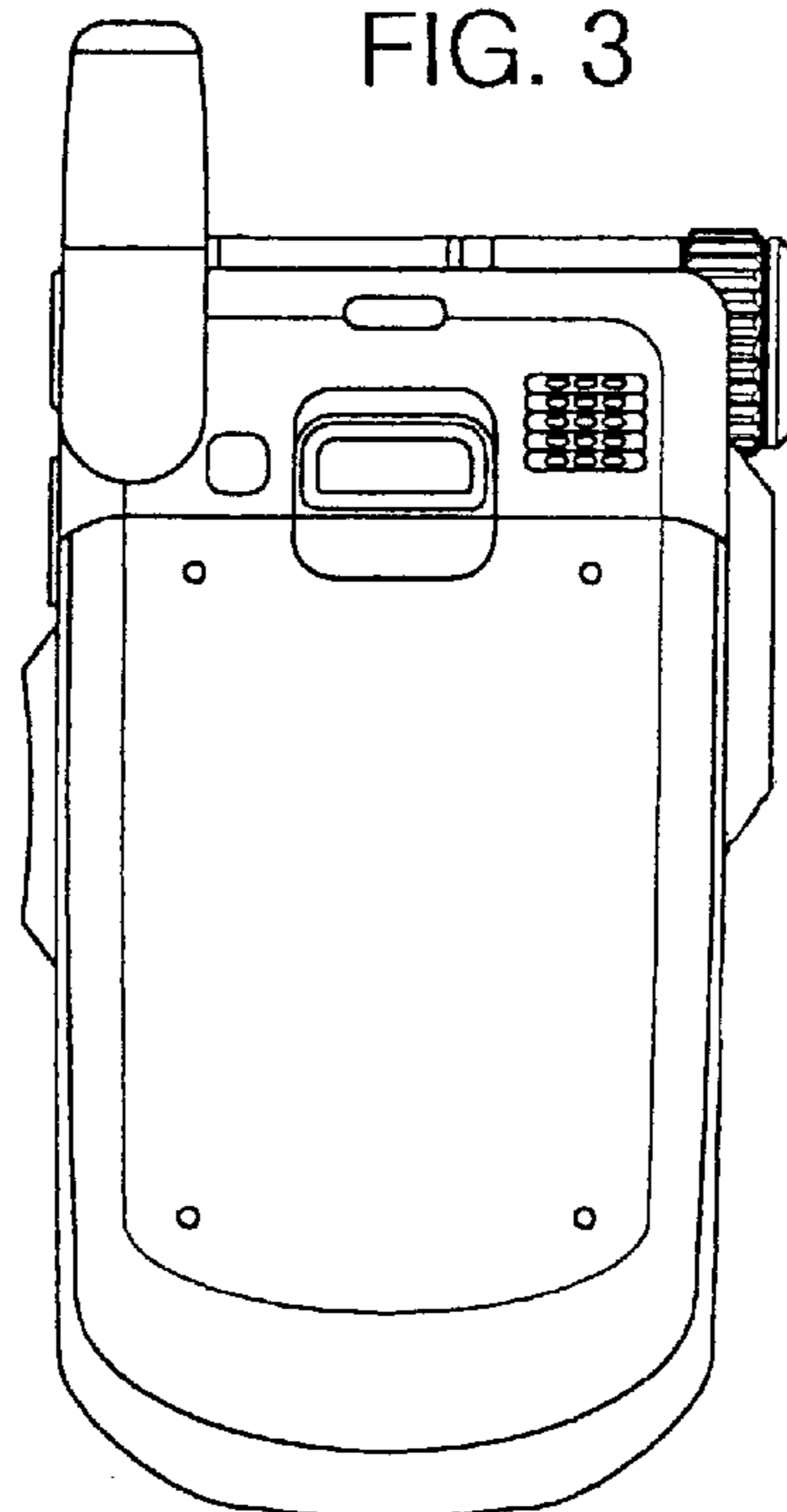


FIG. 4

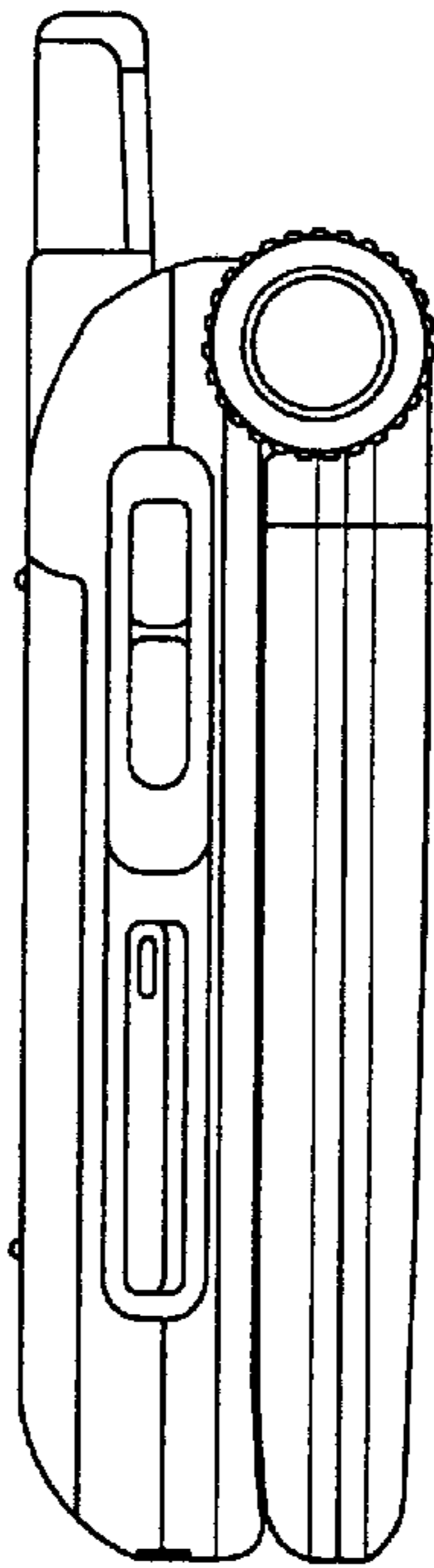


FIG. 5

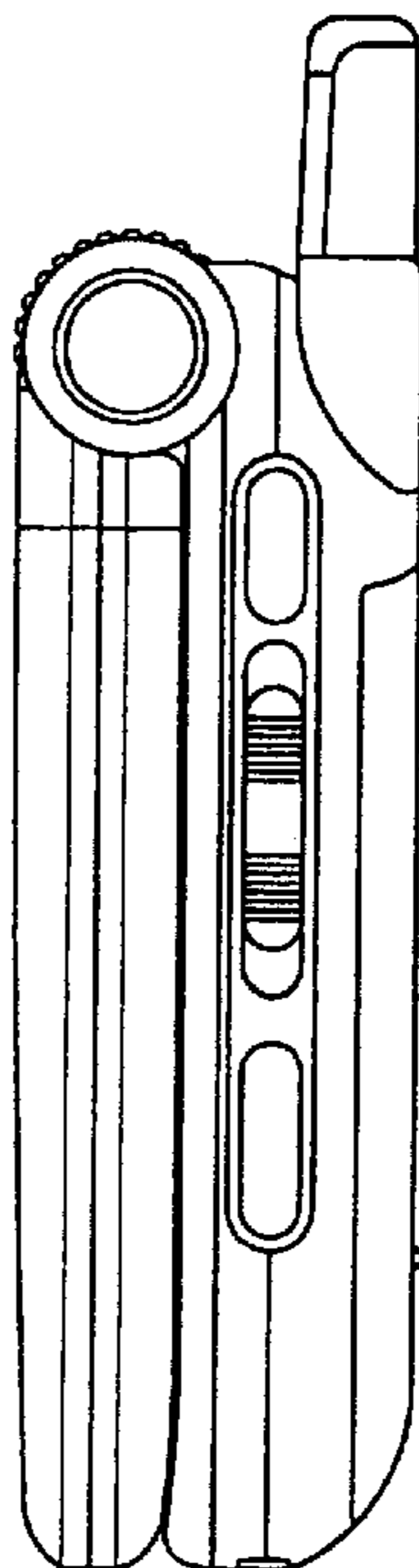


FIG. 6

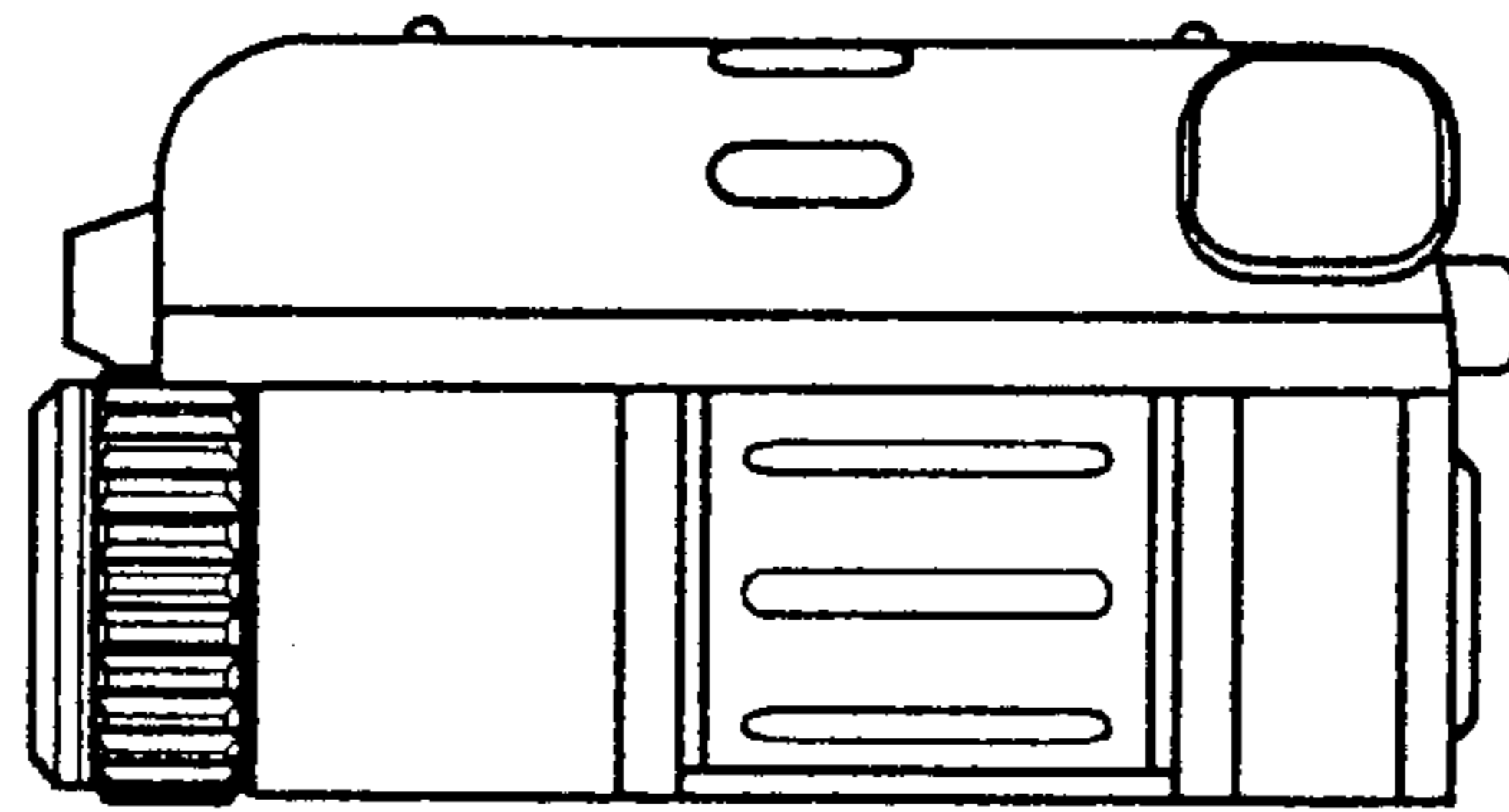


FIG. 7

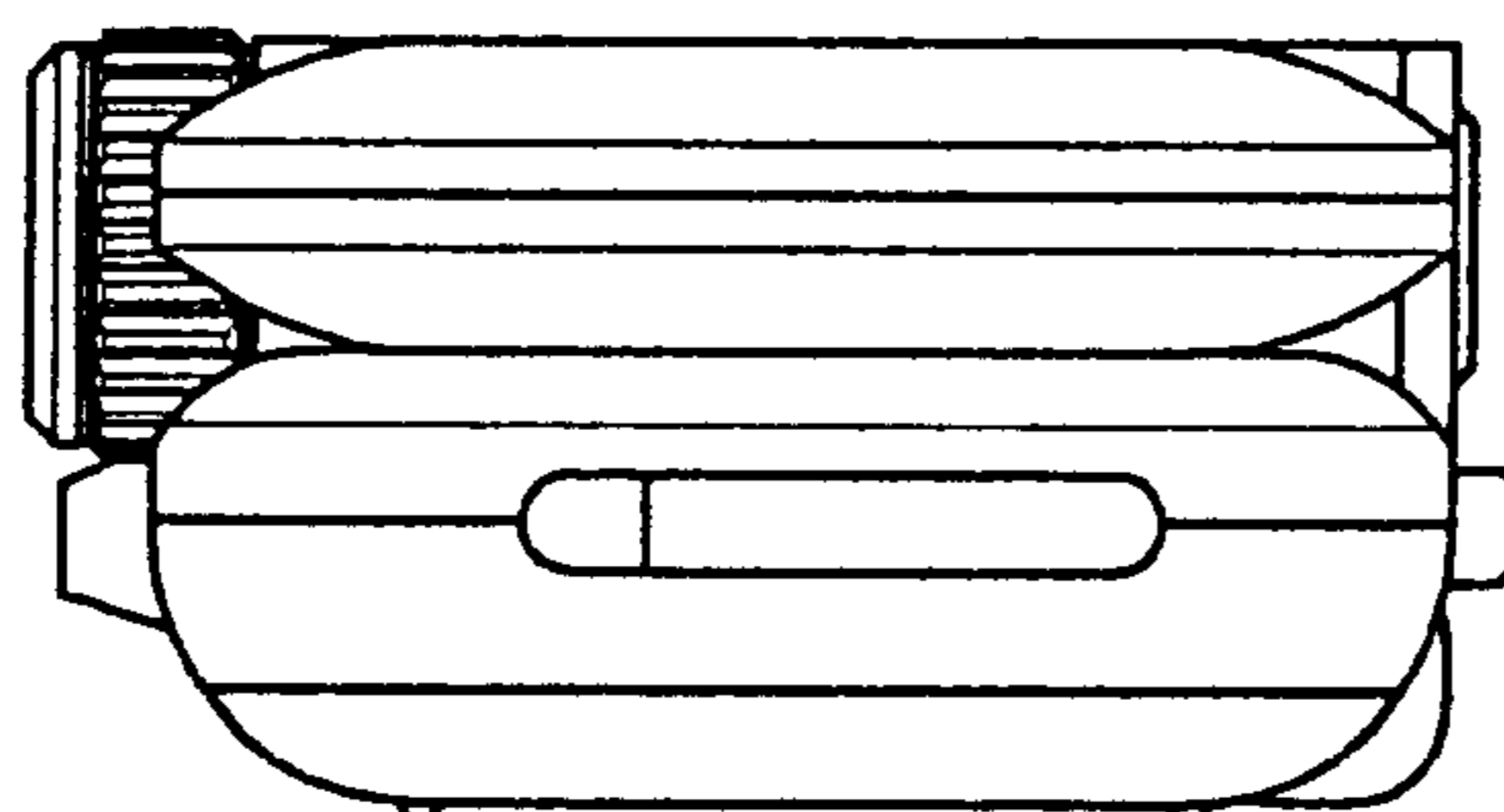


FIG. 8

