



US00D510919S

(12) **United States Design Patent**
Kubota et al.

(10) **Patent No.: US D510,919 S**
(45) **Date of Patent: ** Oct. 25, 2005**

(54) **TELEVISION RECEIVER**
(75) Inventors: **Yuki Kubota**, Tokyo (JP); **Masakazu Kanatani**, Tokyo (JP)
(73) Assignee: **Sony Corporation**, Tokyo (JP)
(**) Term: **14 Years**
(21) Appl. No.: **29/203,265**
(22) Filed: **Apr. 13, 2004**
(51) **LOC (8) Cl. 14-03**
(52) **U.S. Cl. D14/126**
(58) **Field of Search D14/125-134,**
D14/239, 371, 374-376; 312/7.2; 348/836,
838, 180, 184, 325, 739; 341/12; 248/917-924;
345/104, 133, 156, 168, 87, 173; 353/74

D498,214 S * 11/2004 Ahn et al. D14/126
D499,386 S * 12/2004 Yang D14/126
D501,832 S * 2/2005 Peng D14/129

OTHER PUBLICATIONS

Web page "Sony Style, VaioRZ", 1 sheet, Sony (Feb. 2004).
Web page "WEGA, KDL-L32JX2" 1 sheet, Sony (Feb. 2004).

* cited by examiner

Primary Examiner—Raphael Barkai
(74) *Attorney, Agent, or Firm*—Rader, Fishman & Grauer PLLC

(57) **CLAIM**

The ornamental design for a television receiver, as shown.

DESCRIPTION

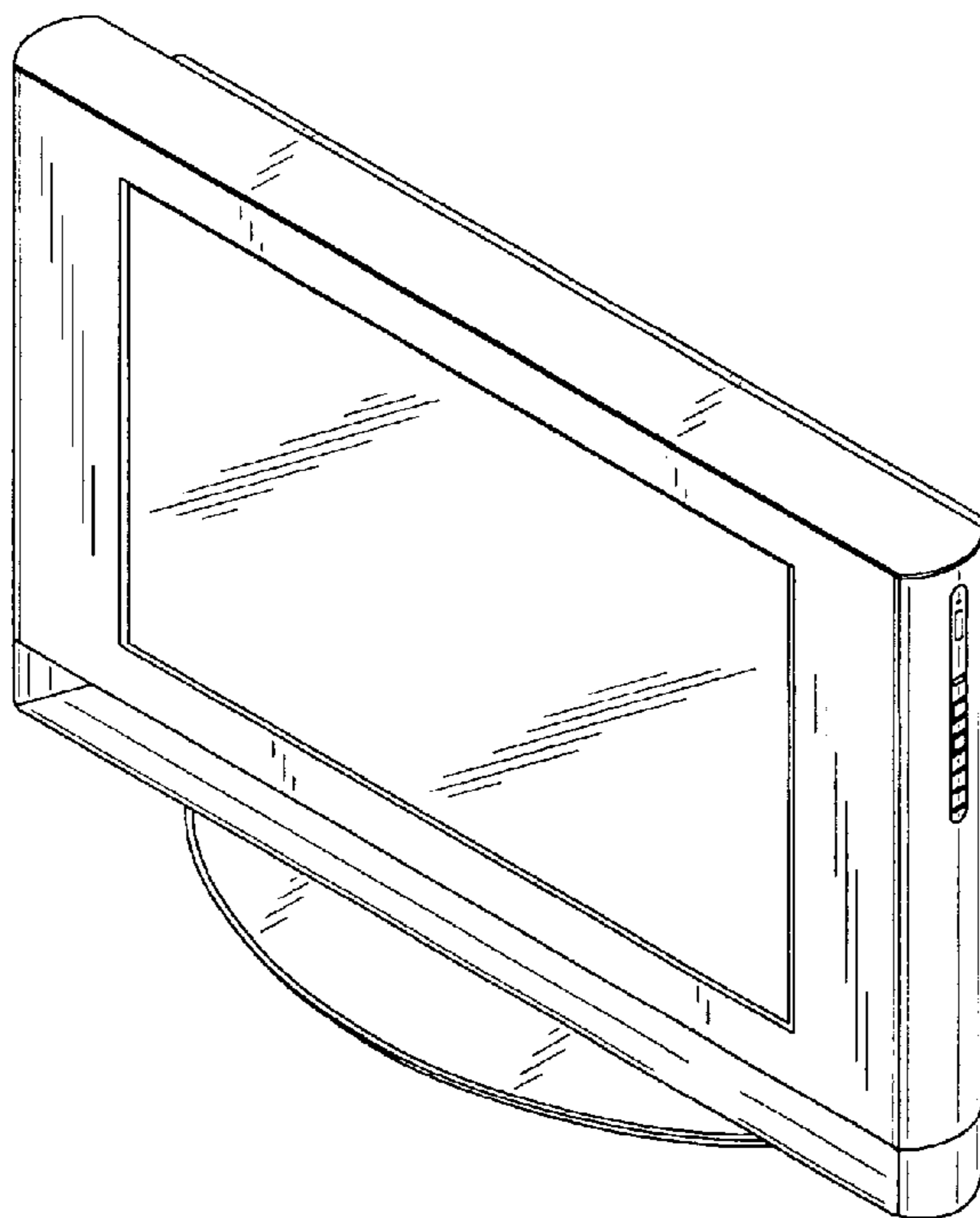
FIG. 1 is a perspective view of a television receiver showing our new design;
FIG. 2 is a front elevational view thereof;
FIG. 3 is a rear elevational view thereof;
FIG. 4 is a left side elevational view thereof;
FIG. 5 is a right side elevational view thereof;
FIG. 6 is a top plan view thereof; and,
FIG. 7 is a bottom plan view thereof.

(56) **References Cited**

U.S. PATENT DOCUMENTS

D454,845 S 3/2002 Niitsu
D457,864 S * 5/2002 Bong et al. D14/126
D458,237 S 6/2002 Niitsu
D472,532 S 4/2003 Niitsu
D475,356 S 6/2003 Niitsu
D475,687 S 6/2003 Goto
D481,022 S * 10/2003 Inoue et al. D14/126
D488,451 S * 4/2004 Niitsu D14/126

1 Claim, 4 Drawing Sheets



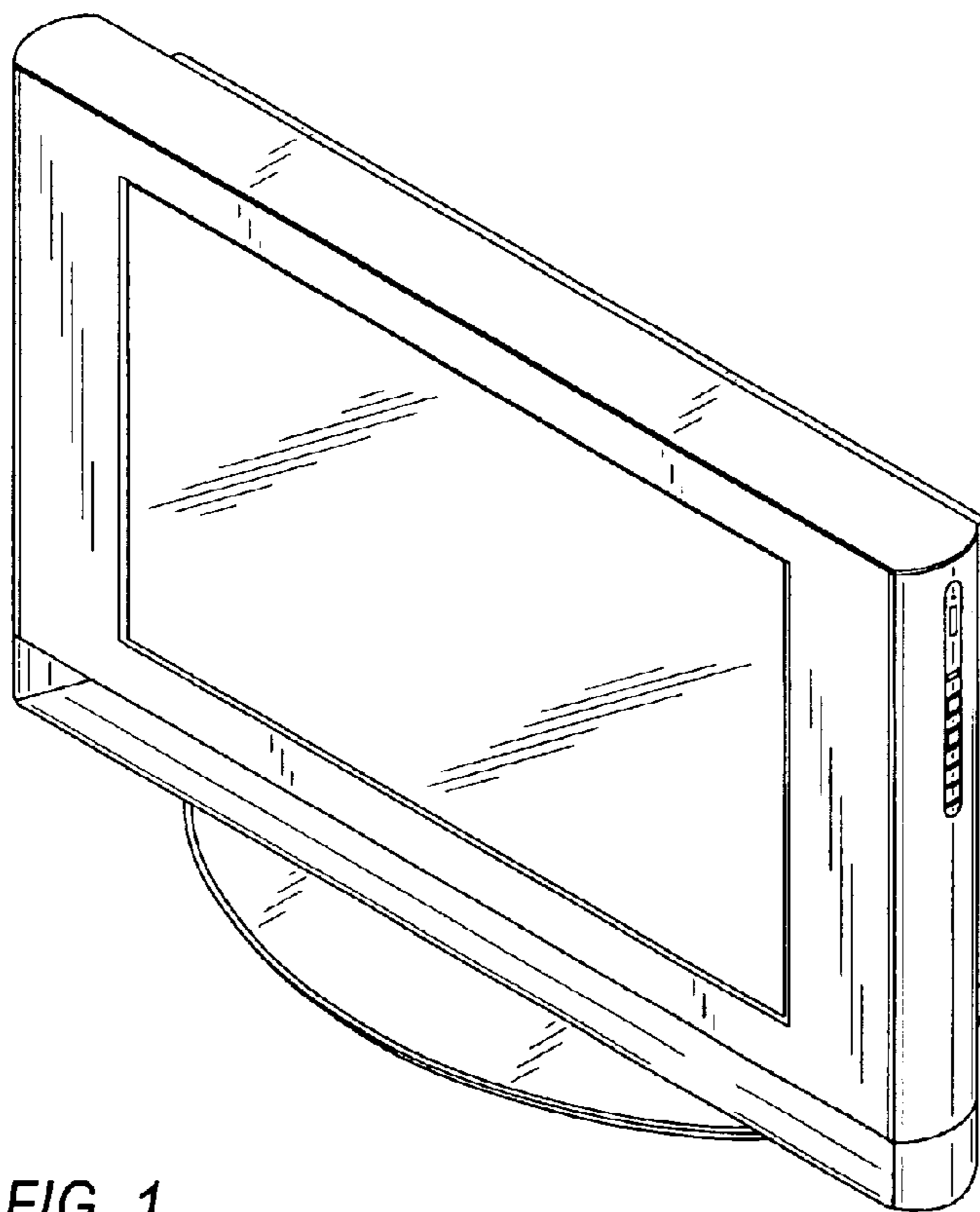


FIG. 1

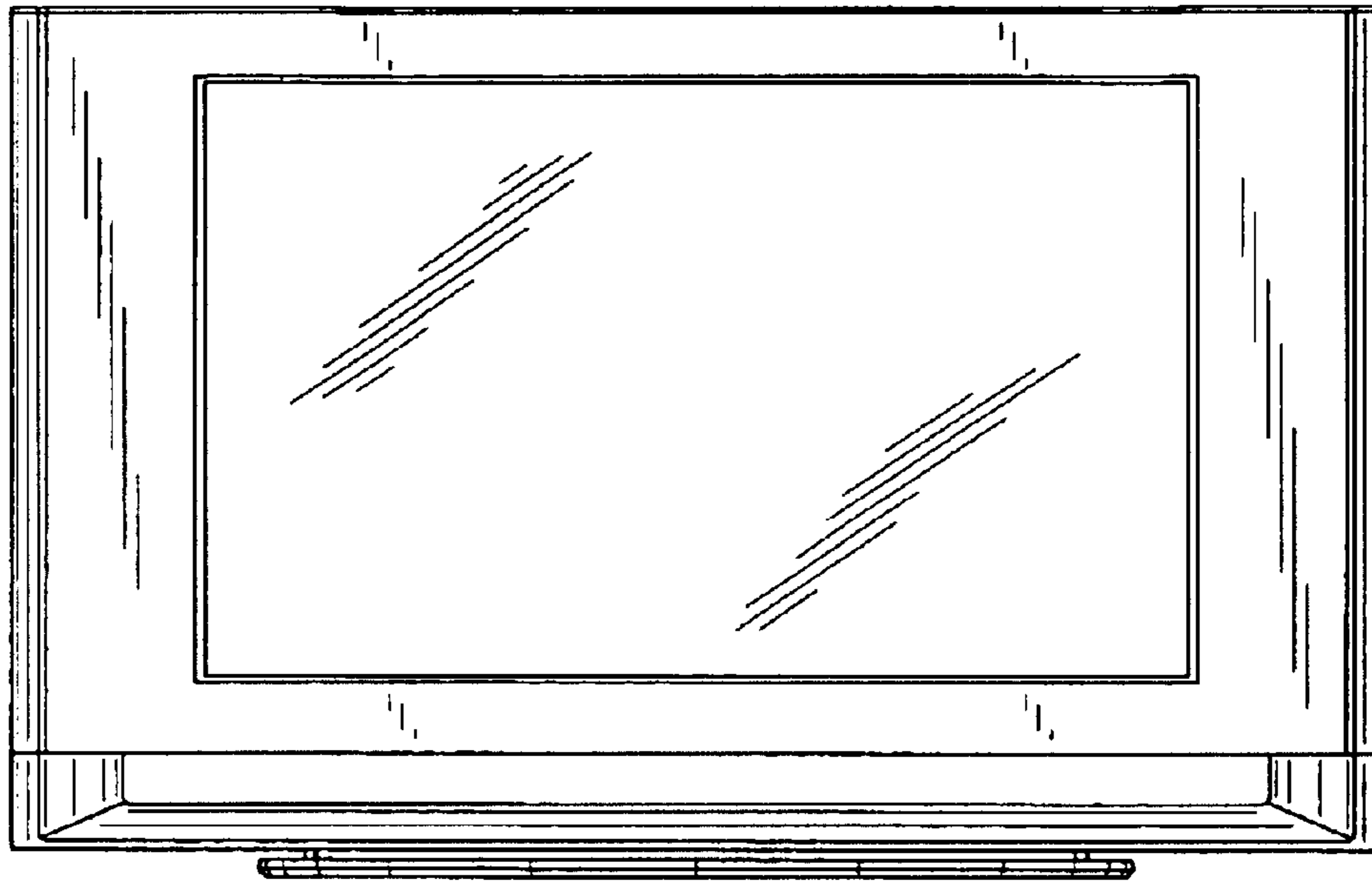


FIG. 2

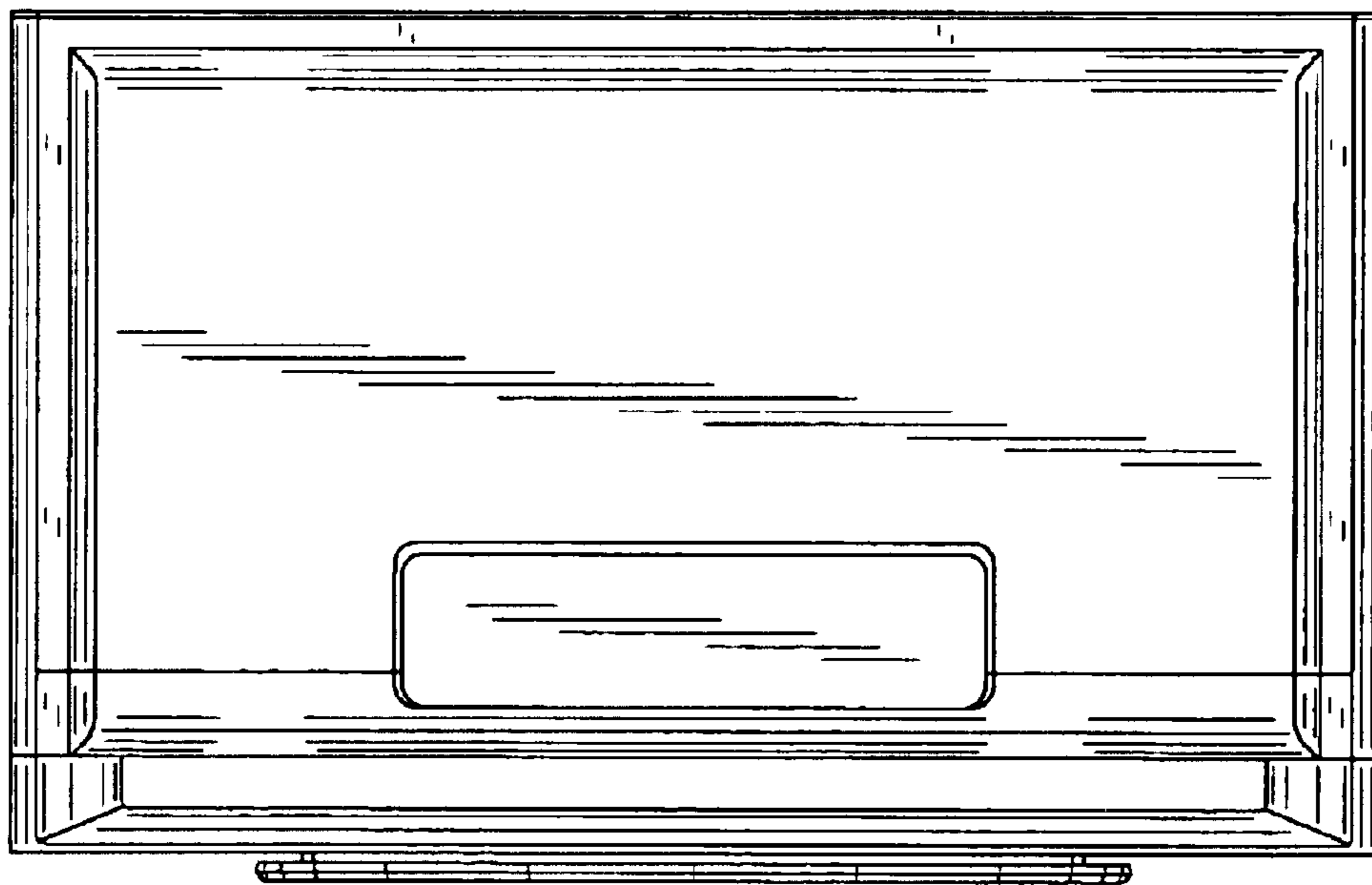


FIG. 3

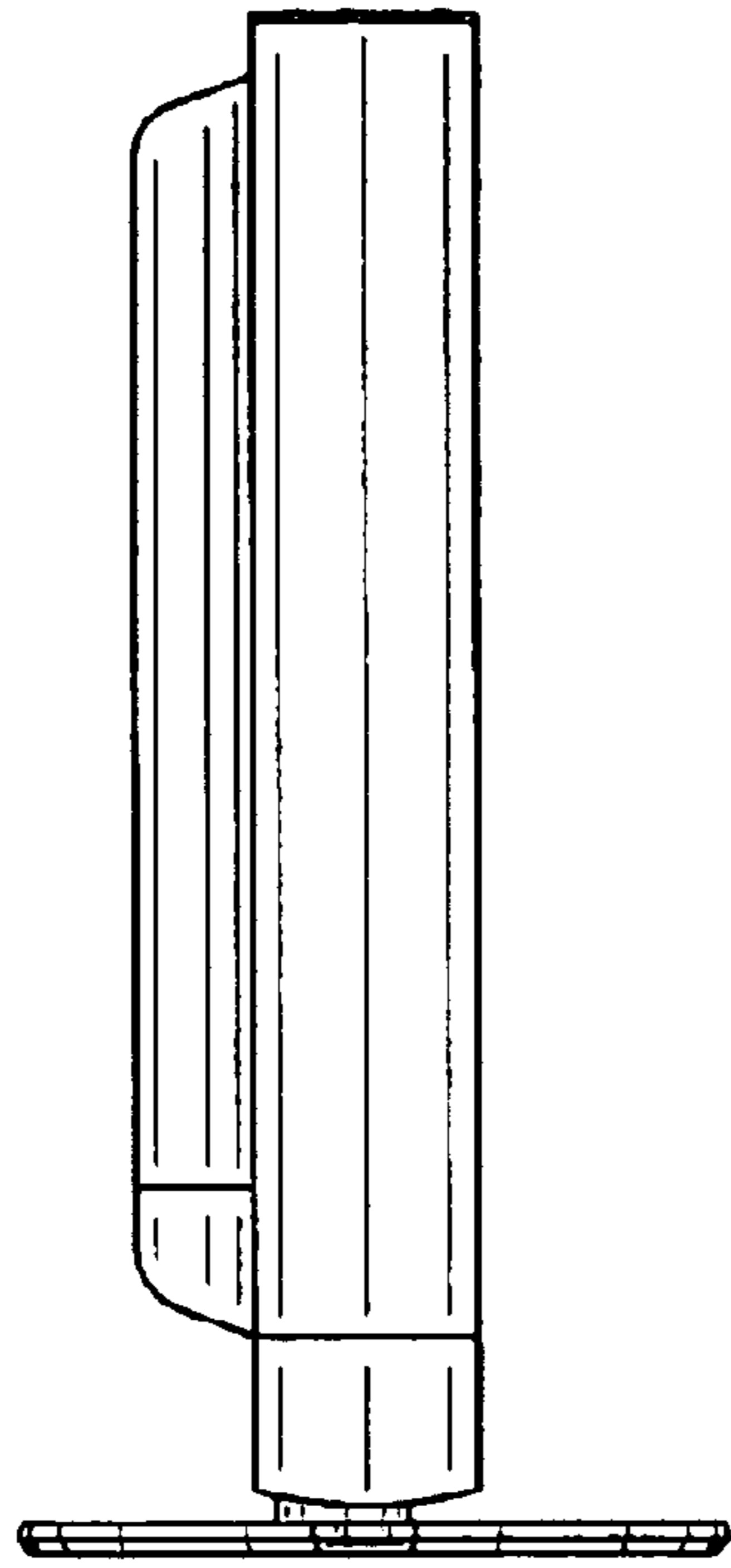


FIG. 4

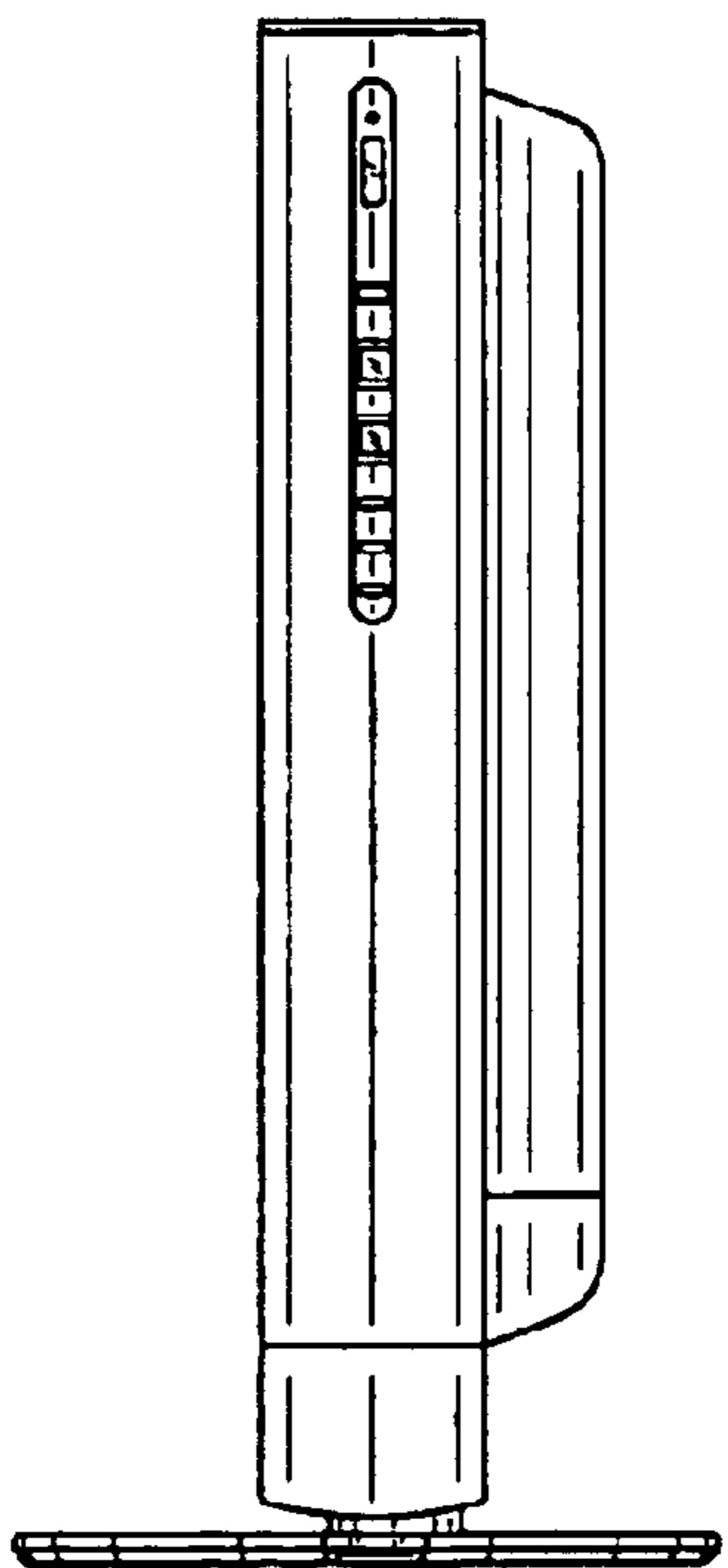


FIG. 5

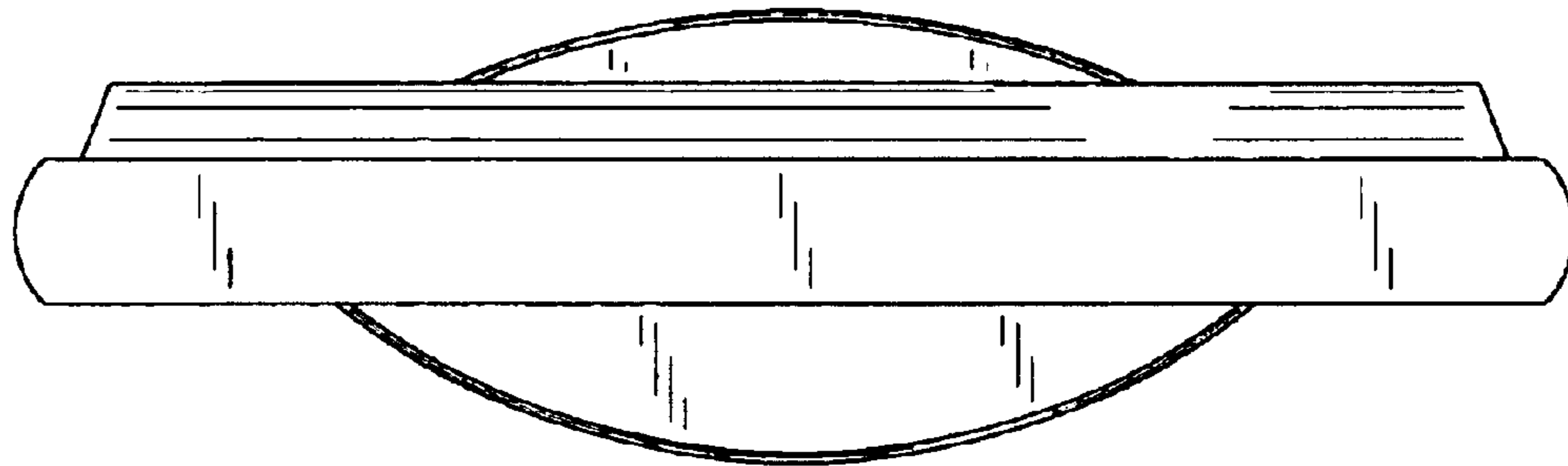


FIG. 6

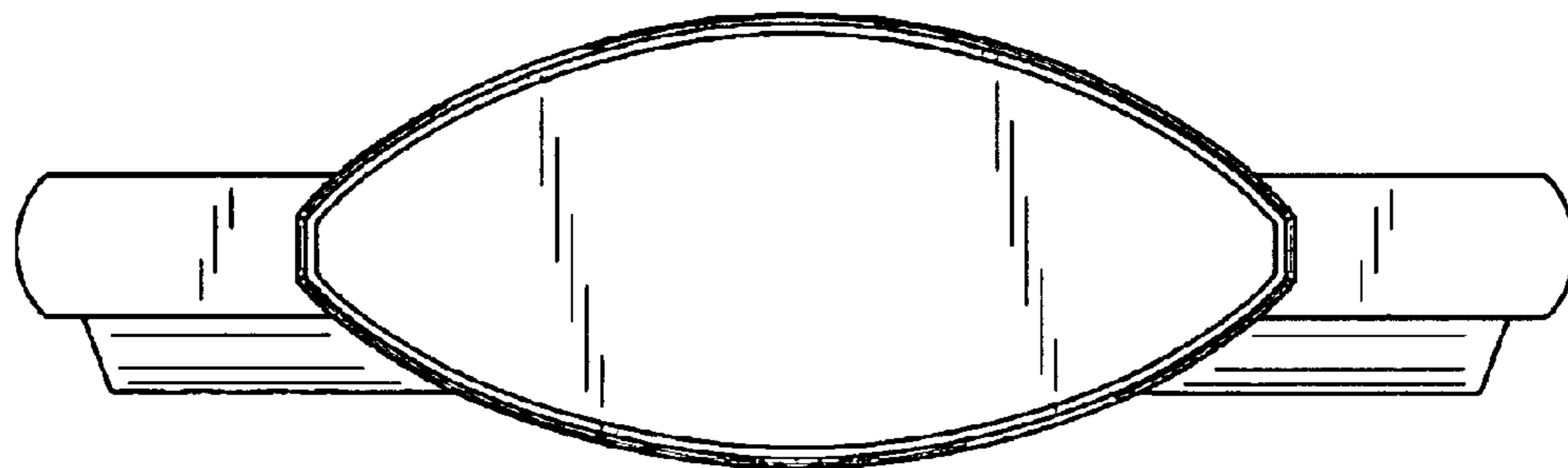


FIG. 7