



US00D510916S

(12) **United States Design Patent**
Phipps et al.

(10) **Patent No.:** **US D510,916 S**
(45) **Date of Patent:** **** Oct. 25, 2005**

(54) **HOUSING HAVING SHAPE EMBEDDED
CIRCUIT BOARD**

(75) Inventors: **Michael Phipps**, Aptos, CA (US);
Timothy J. Southgate, Woodside, CA
(US)

(73) Assignee: **Altera Corporation**, San Jose, CA
(US)

(**) Term: **14 Years**

(21) Appl. No.: **29/212,955**

(22) Filed: **Sep. 10, 2004**

(51) **LOC (8) Cl.** **13-03**

(52) **U.S. Cl.** **D13/184**

(58) **Field of Search** D13/182, 184;
D9/418; 174/50, 52.1; 206/706, 707, 709;
220/4.02; 361/600, 601, 730, 736, 748;
438/107

(56) **References Cited**

U.S. PATENT DOCUMENTS

4,746,009	A	*	5/1988	Liberman	206/723
4,763,781	A	*	8/1988	Donalson et al.	206/707
5,235,496	A	*	8/1993	Chomette et al.	361/764
5,375,709	A	*	12/1994	Petro	206/709
6,100,468	A	*	8/2000	Niggl et al.	174/52.1

* cited by examiner

Primary Examiner—Stella Reid
Assistant Examiner—Selina Sikder

(74) *Attorney, Agent, or Firm*—Martine Penilla &
Gencarella, LLP

(57) **CLAIM**

We claim the ornamental design for a housing having shape embedded circuit board, as shown and described.

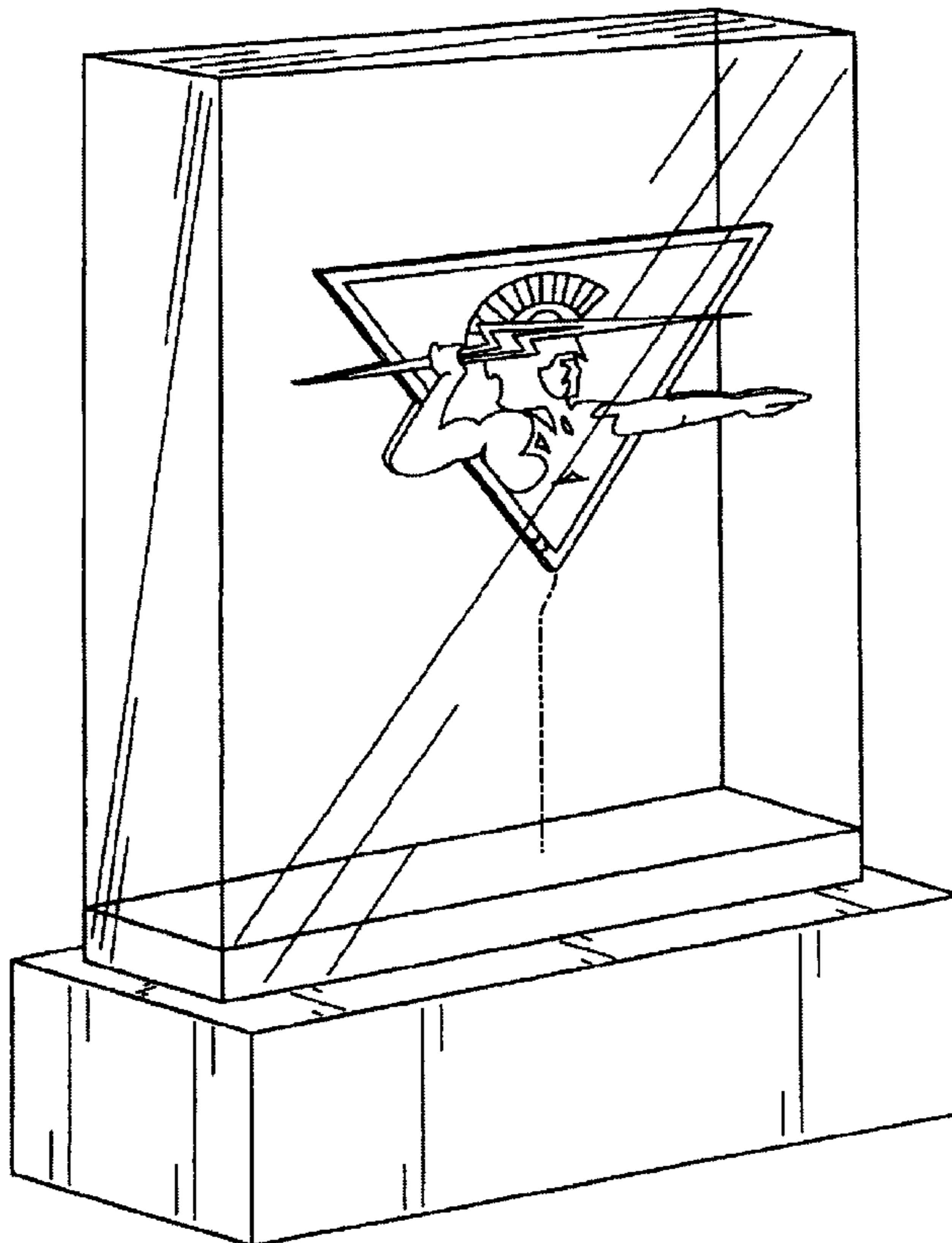
DESCRIPTION

FIG. 1 is a perspective view of a housing having shape embedded circuit board in accordance with the design; FIG. 2 is a front view of the housing of FIG. 1; FIG. 3 is a back view of the housing of FIG. 1; FIG. 4 is a left view of the housing of FIG. 1; FIG. 5 is a right view of the housing of FIG. 1; FIG. 6 is a top view of the housing of FIG. 1; and, FIG. 7 is a bottom view of the housing of FIG. 1.

The dash-dot broken line showing of the environment is for illustrative purpose only and forms no part of the claimed design. The dot-dot broken lines define the bounds of the claimed design and form no part thereof.

The present design is related to an article of manufacture in the form of a housing having shape embedded circuit board or similar article.

1 Claim, 7 Drawing Sheets



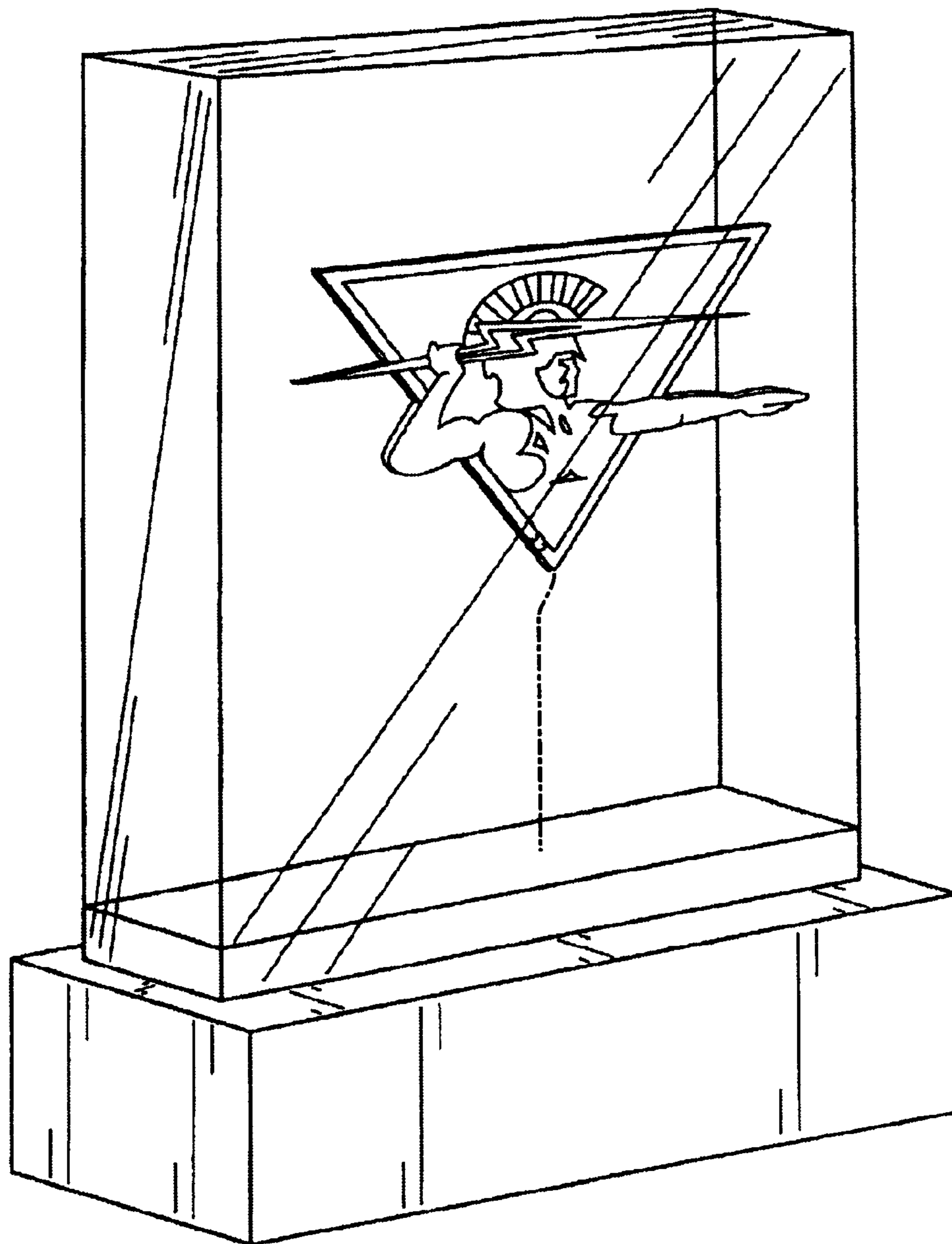


Fig. 1

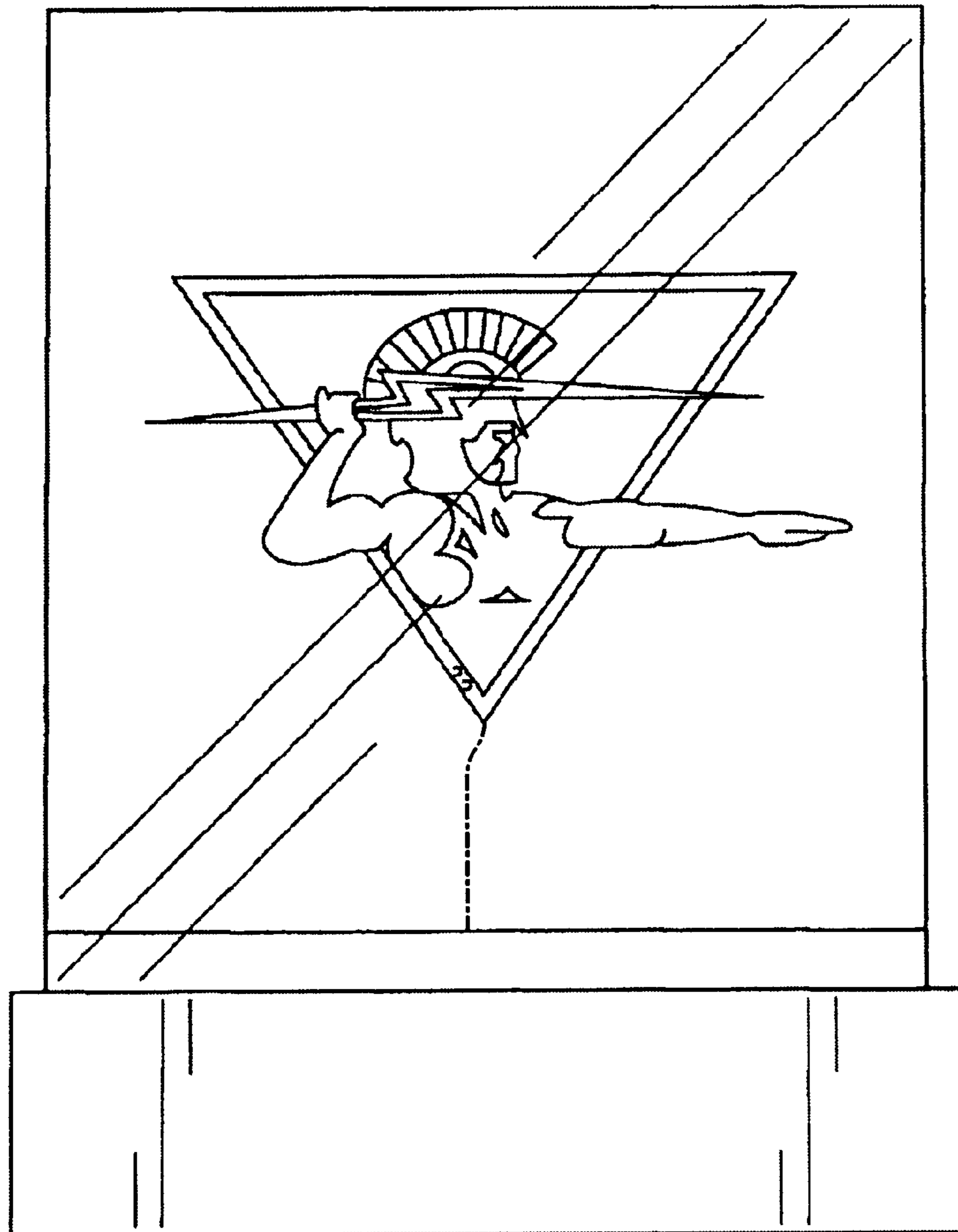


Fig. 2

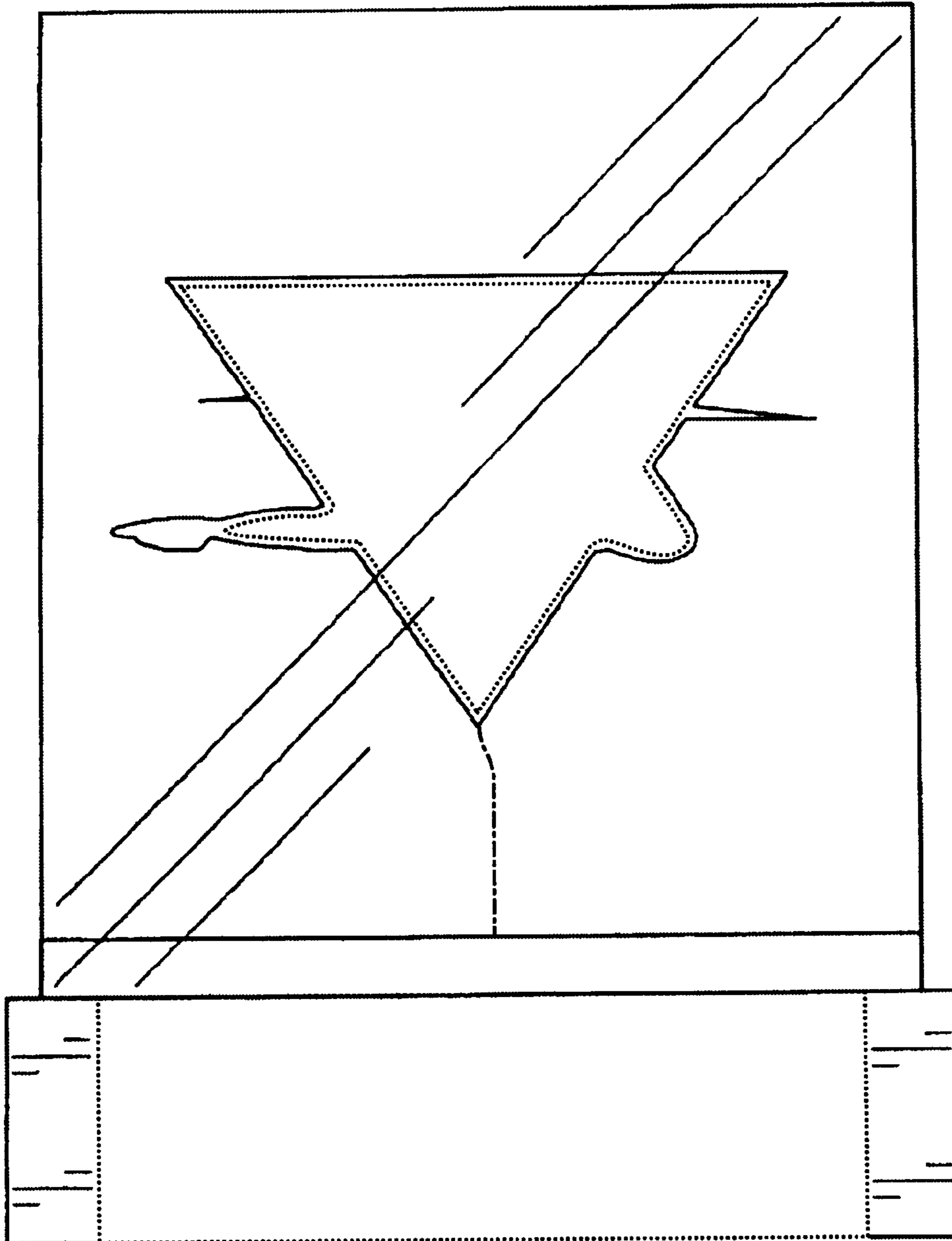


Fig. 3

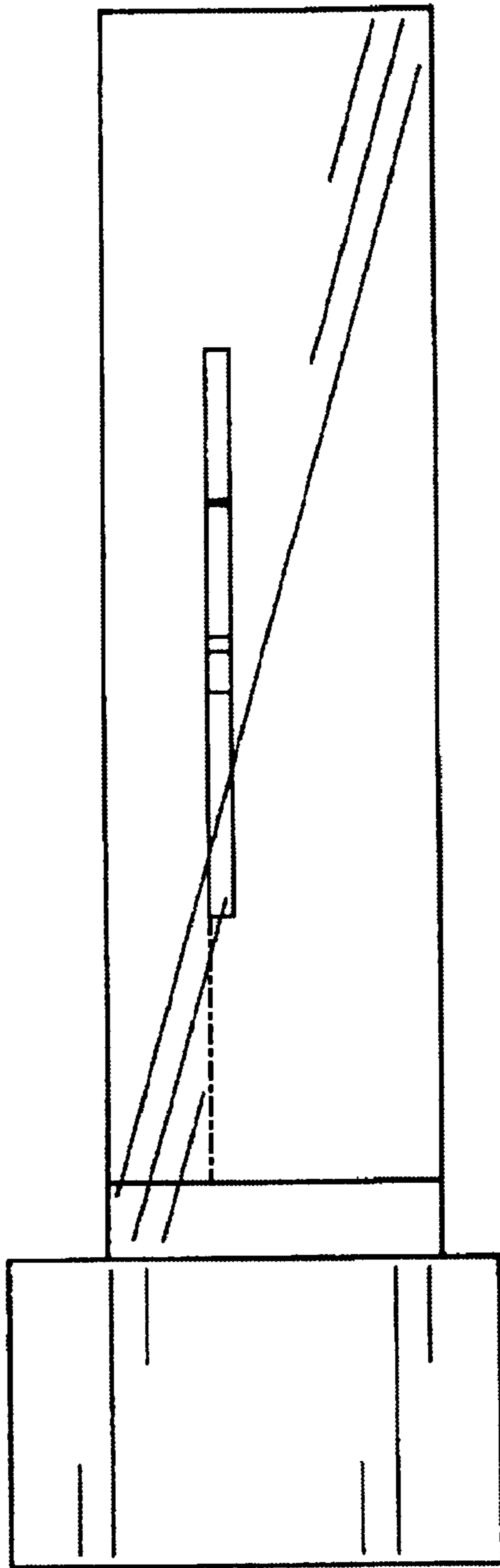


Fig. 4

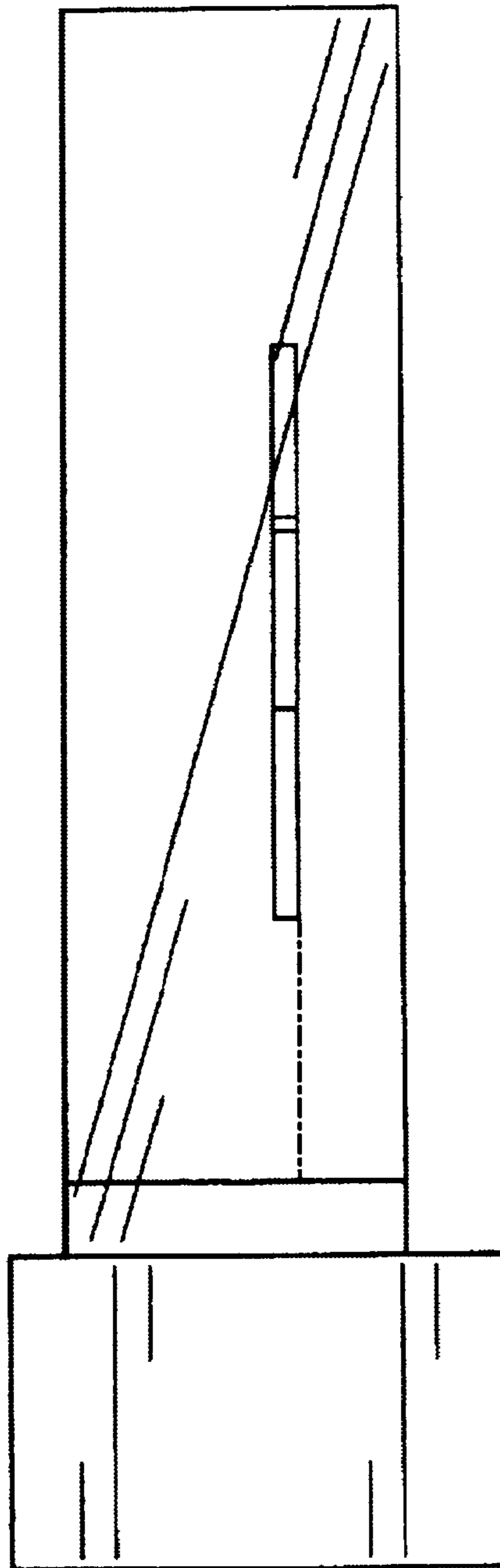


Fig. 5

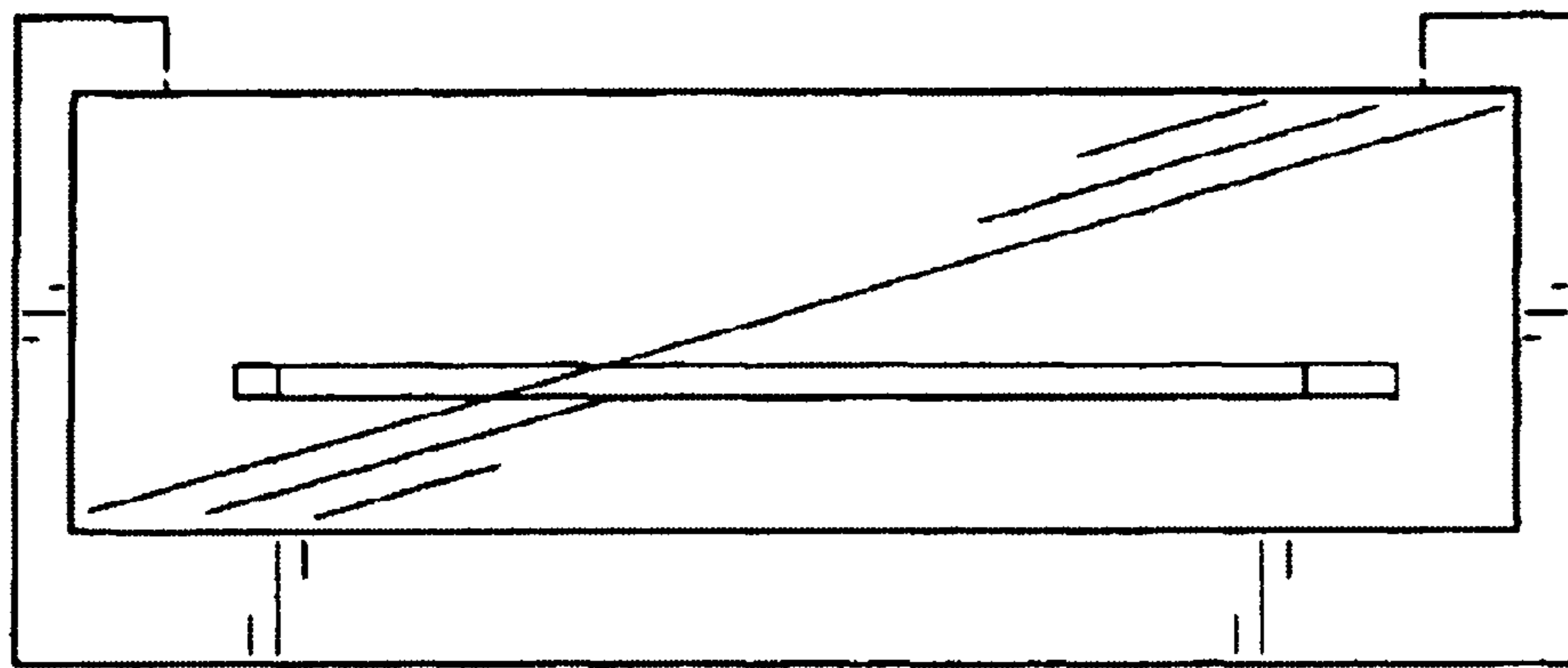


Fig. 6

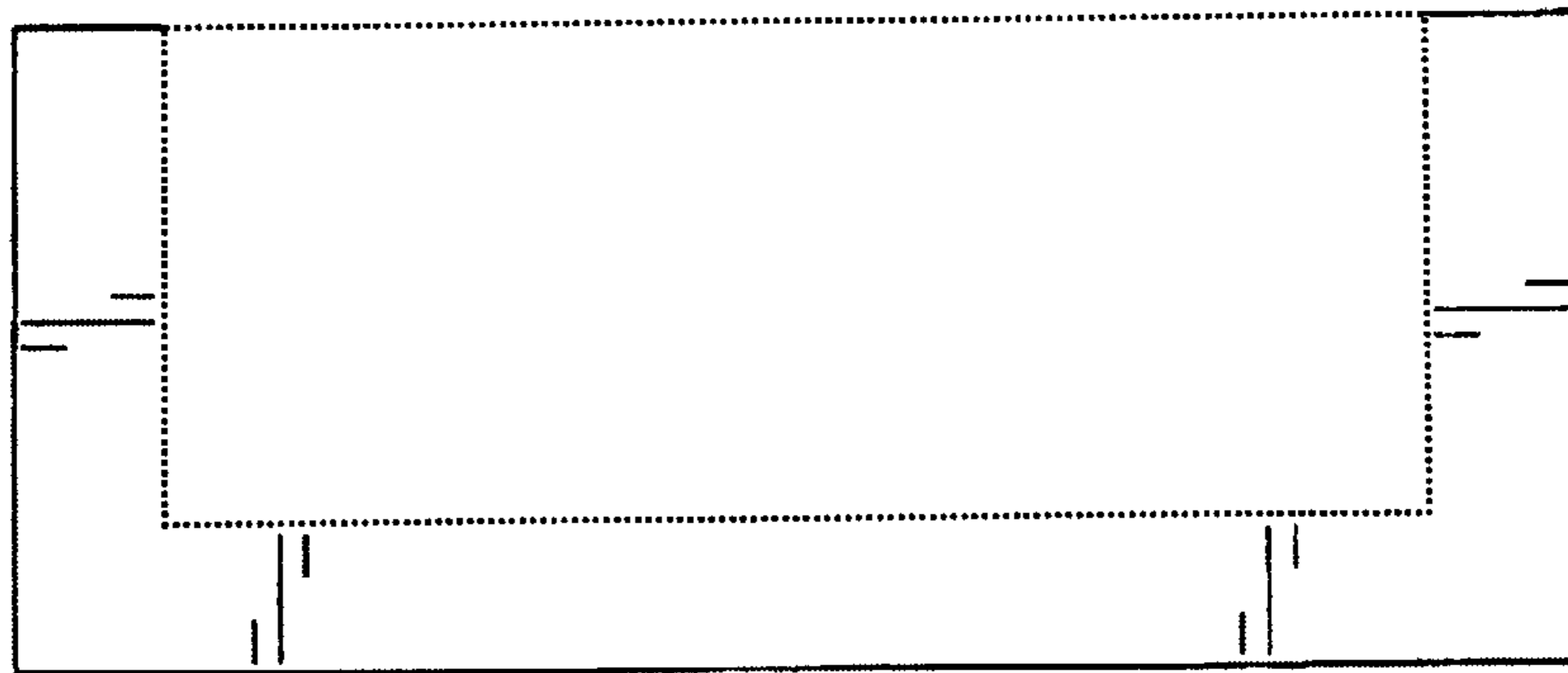


Fig. 7