

US00D510913S

(12) **United States Design Patent** (10) **Patent No.:** **US D510,913 S**
Sumitani (45) **Date of Patent:** **** Oct. 25, 2005**

(54) **LIGHT EMITTING DIODE**

(75) Inventor: **Naofumi Sumitani**, Itano-gun (JP)

(73) Assignee: **Nichia Corporation**, Anan (JP)

(**) Term: **14 Years**

(21) Appl. No.: **29/200,831**

(22) Filed: **Mar. 5, 2004**

(30) **Foreign Application Priority Data**

Sep. 9, 2003	(JP)	2003-026194
Sep. 9, 2003	(JP)	2003-026195
Sep. 9, 2003	(JP)	2003-026227
Sep. 9, 2003	(JP)	2003-026228
Sep. 9, 2003	(JP)	2003-026229
Sep. 9, 2003	(JP)	2003-026230
Sep. 9, 2003	(JP)	2003-026231
Sep. 9, 2003	(JP)	2003-026232
Sep. 9, 2003	(JP)	2003-026233
Sep. 9, 2003	(JP)	2003-026234
Sep. 9, 2003	(JP)	2003-026235
Sep. 9, 2003	(JP)	2003-026236
Sep. 9, 2003	(JP)	2003-026237
Sep. 9, 2003	(JP)	2003-026238
Sep. 9, 2003	(JP)	2003-026239
Sep. 9, 2003	(JP)	2003-026240
Sep. 9, 2003	(JP)	2003-026241
Sep. 9, 2003	(JP)	2003-026242
Sep. 9, 2003	(JP)	2003-026243

(51) **LOC (8) Cl.** **13-03**

(52) **U.S. Cl.** **D13/180**

(58) **Field of Search** D13/180, 182;
257/76, 79, 88, 89, 93-99, 434, 676, 678,
687, 690, 698, 787; 313/498, 799, 500;
361/760, 820; 362/226, 241, 249, 250,
307, 555, 800

(56) **References Cited**

U.S. PATENT DOCUMENTS

D432,095 S * 10/2000 Seeger et al. D13/182

(Continued)

Primary Examiner—Stella Reid

Assistant Examiner—Selina Sikder

(74) *Attorney, Agent, or Firm*—Smith Patent Office

(57) **CLAIM**

I claim the ornamental design for the light emitting diode, as shown and described.

DESCRIPTION

FIG. 1 is a front perspective view of a light emitting diode according to the first embodiment of my new design;

FIG. 2 is a rear perspective view of a light emitting diode according to the embodiment of FIG. 1;

FIG. 3 is a top side view of the light emitting diode according to the embodiment of FIG. 1;

FIG. 4 is a left view of the light emitting diode according to the embodiment of FIG. 1;

FIG. 5 is a front elevational view of the light emitting diode according to the embodiment of FIG. 1;

FIG. 6 is a right view of the light emitting diode according to the embodiment of FIG. 1;

FIG. 7 is a bottom side of the light emitting diode according to the embodiment of FIG. 1;

FIG. 8 is a rear elevational view of the light emitting diode according to the embodiment of FIG. 1;

FIG. 9 is a front perspective view of a LED according to still another embodiment of my new design;

FIG. 10 is a rear perspective view of a light emitting diode according to the embodiment of FIG. 9;

FIG. 11 is a front side view of the light emitting diode according to the embodiment of FIG. 9;

FIG. 12 is a left view of the light emitting diode according to the embodiment of FIG. 9;

FIG. 13 is a plan view of the light emitting diode according to the embodiment of FIG. 9;

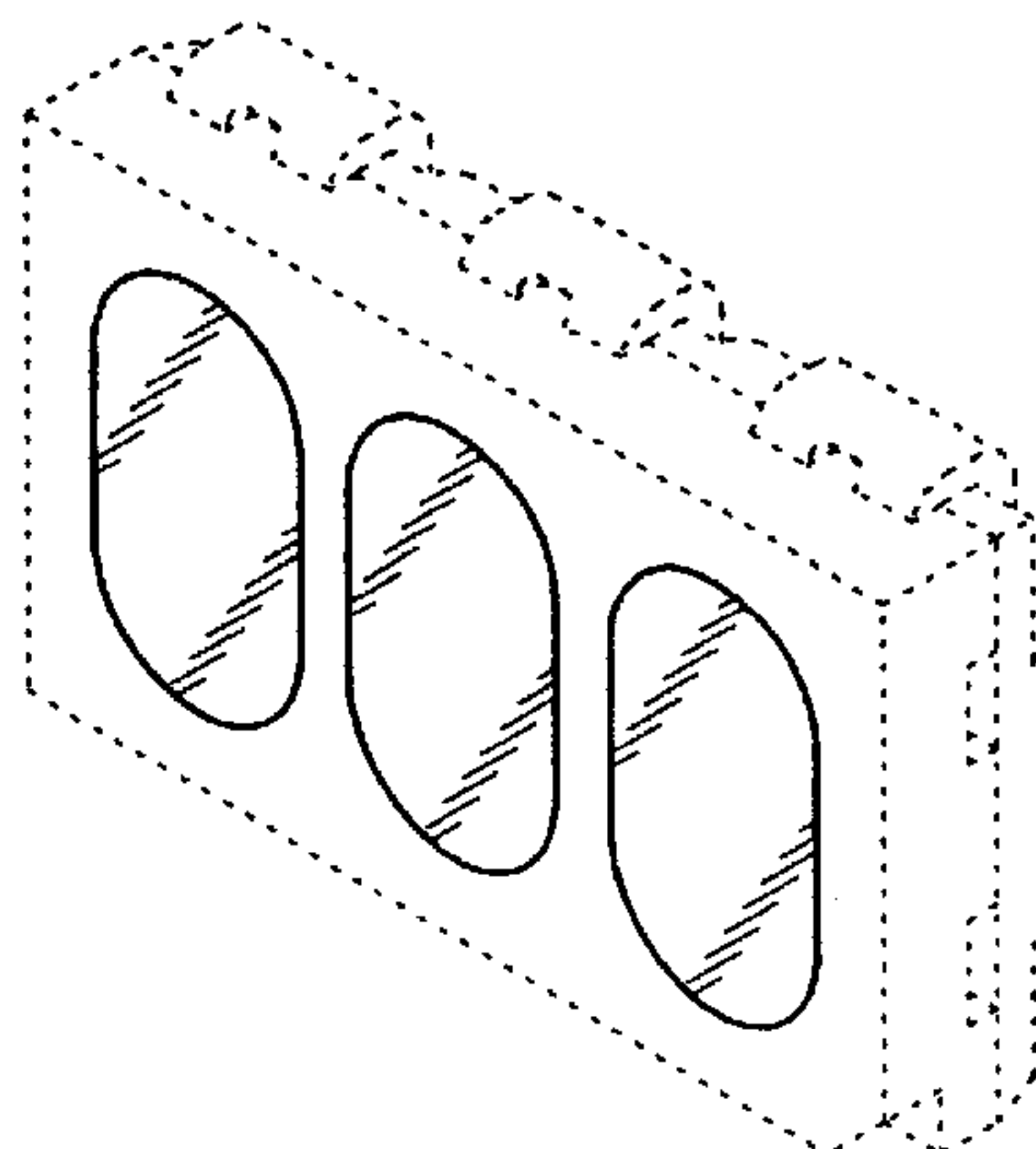
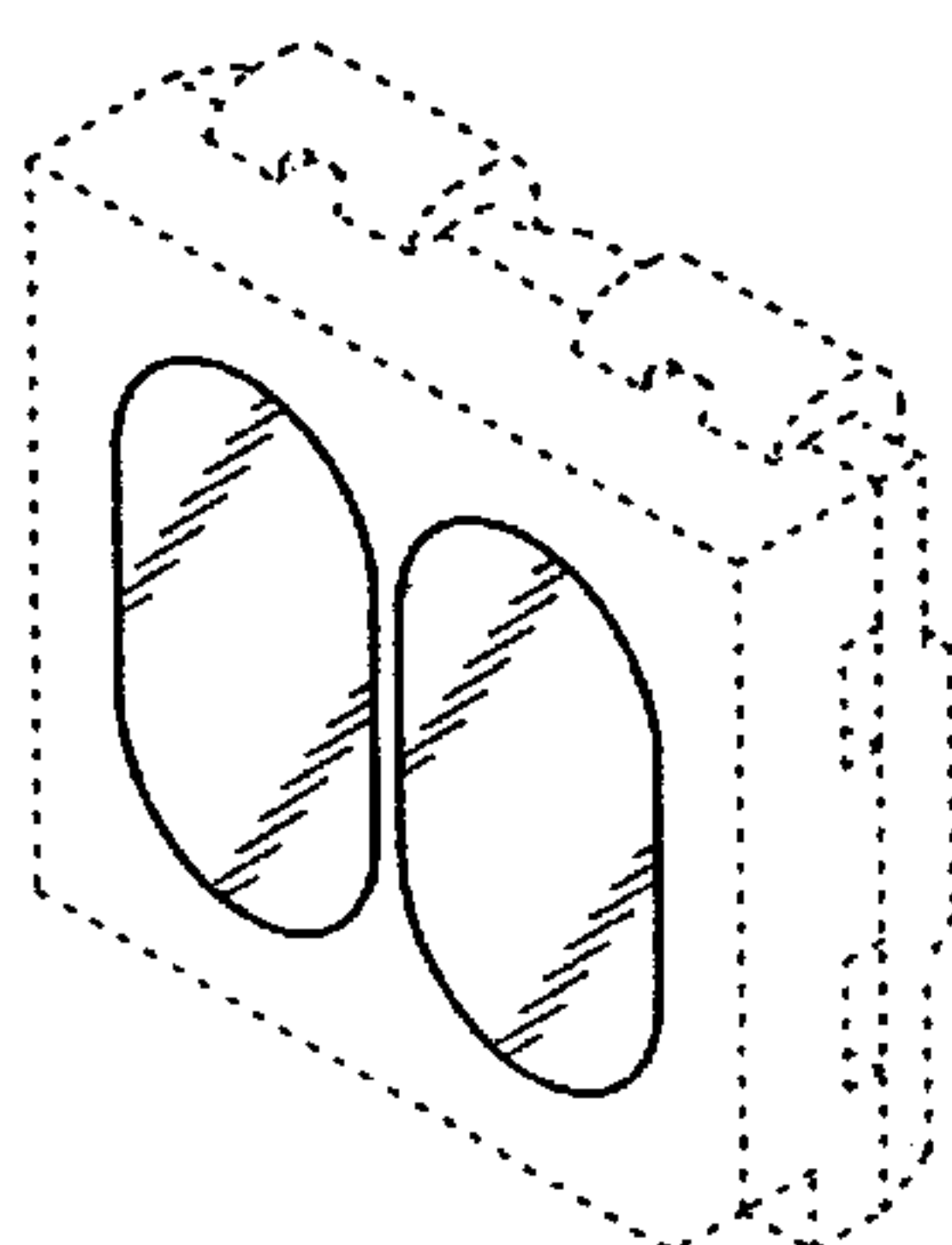
FIG. 14 is a right view of the light emitting diode according to the embodiment of FIG. 9;

FIG. 15 is a bottom side of the light emitting diode according to the embodiment of FIG. 9; and,

FIG. 16 is a rear elevational view of the light emitting diode according to the embodiment of FIG. 9.

The broken line showing of the environment is for illustrative purpose only and forms no part of the claimed design.

1 Claim, 4 Drawing Sheets



US D510,913 S

Page 2

U.S. PATENT DOCUMENTS

D437,798 S	*	2/2001	Kiba et al.	D10/104	D482,337 S	*	11/2003	Kamada	D13/182
D439,351 S	*	3/2001	Kiba et al.	D26/37	6,717,256 B1	*	4/2004	Suzuki et al.	257/691
6,355,946 B1	*	3/2002	Ishinaga	257/98	D490,387 S	*	5/2004	Yagi	D13/182
6,483,623 B1	*	11/2002	Maruyama	398/182	D491,899 S	*	6/2004	Yagi	D13/180
D471,166 S	*	3/2003	Oshio et al.	D13/182	D494,550 S	*	8/2004	Hoshiba	D13/180
6,624,491 B2	*	9/2003	Waitl et al.	257/434	D495,304 S	*	8/2004	Kim et al.	D13/180

* cited by examiner

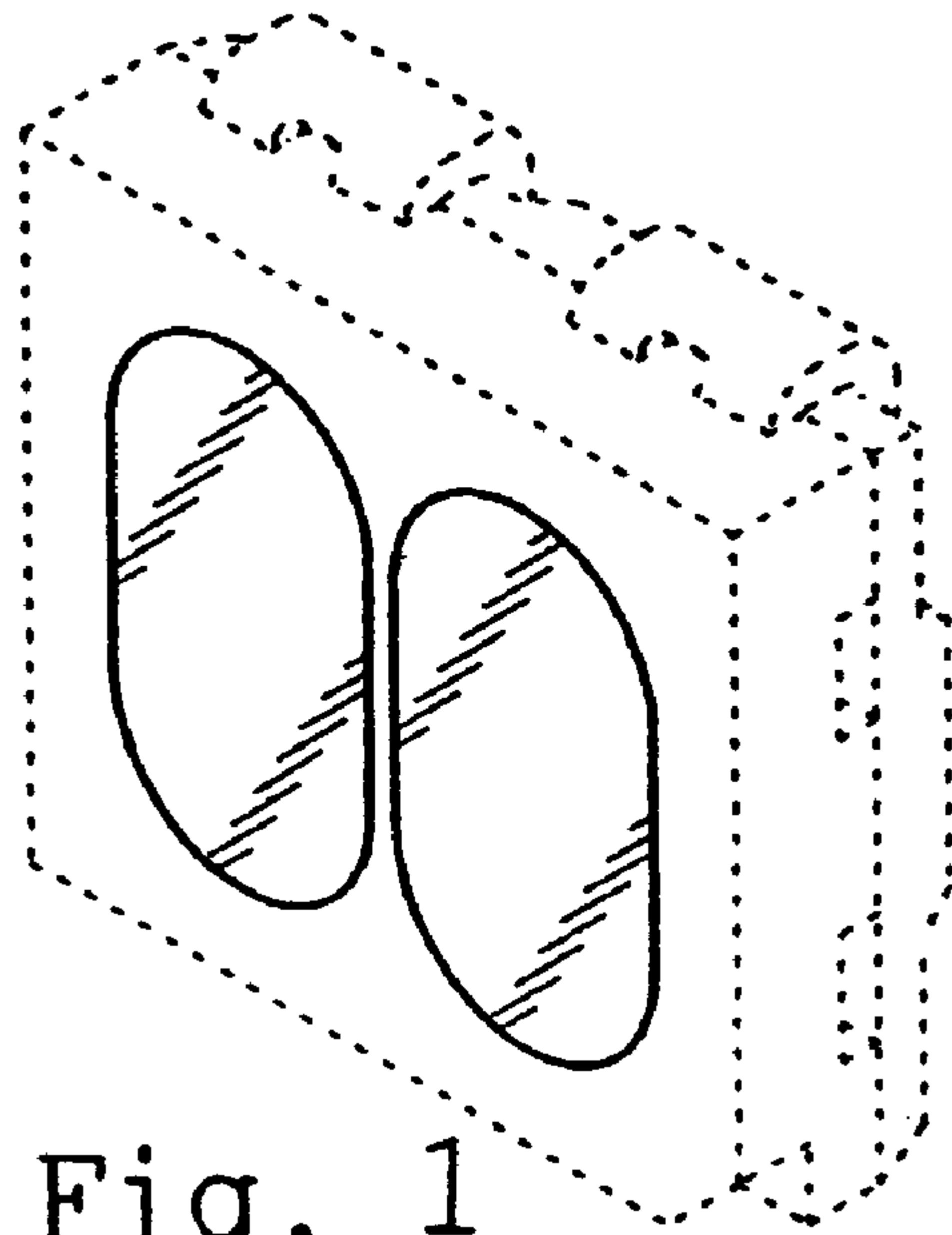


Fig. 1

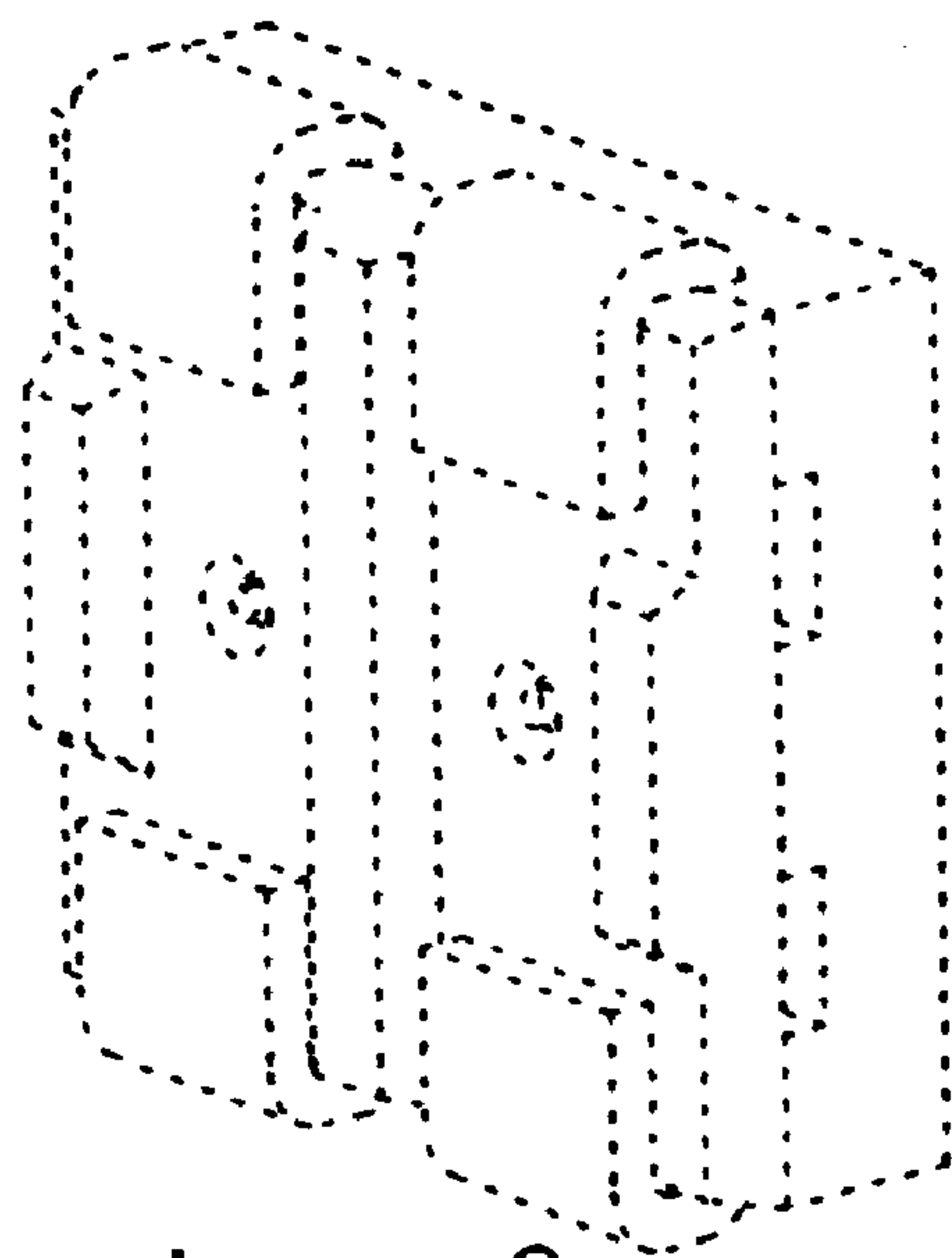


Fig. 2

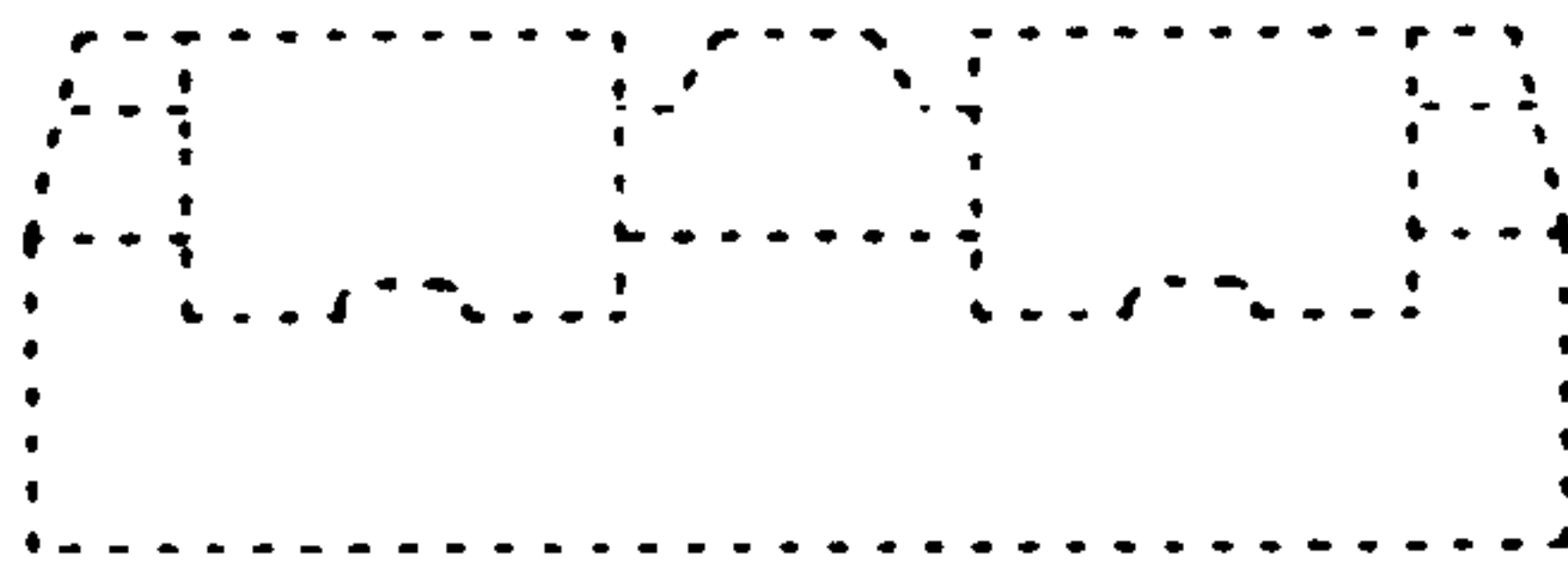


Fig. 3

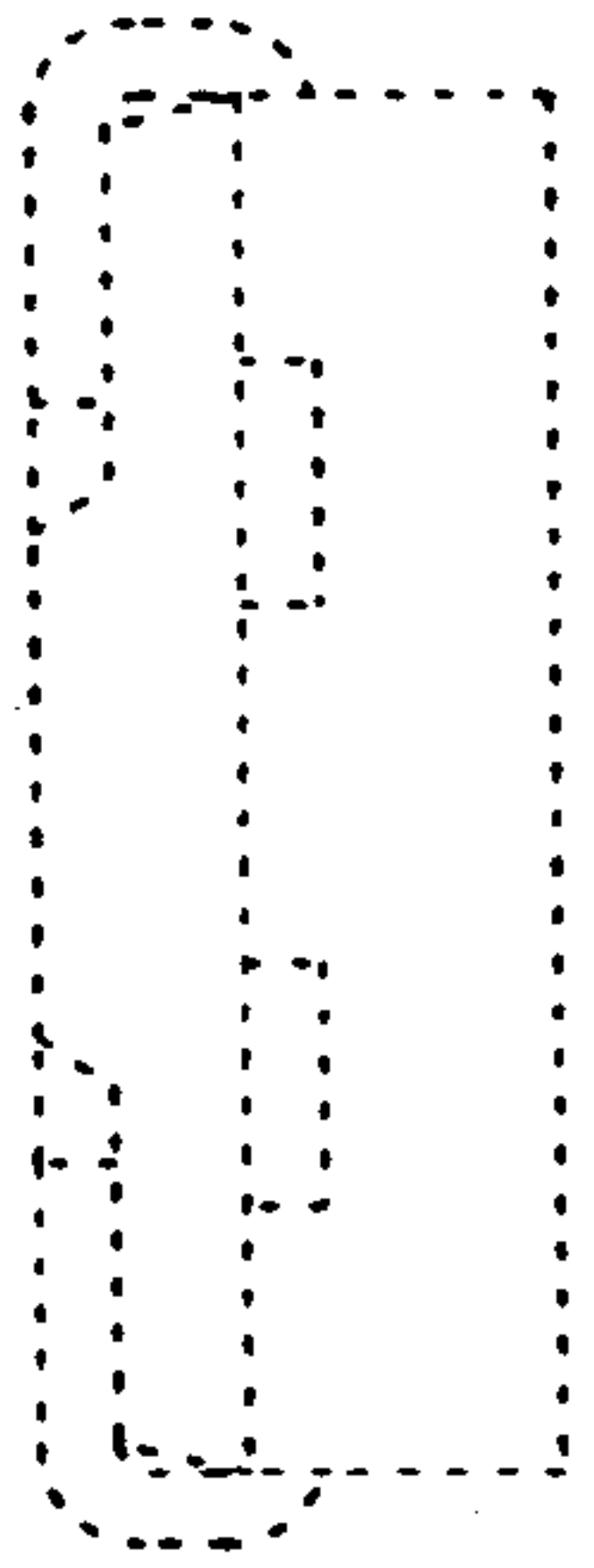


Fig. 4

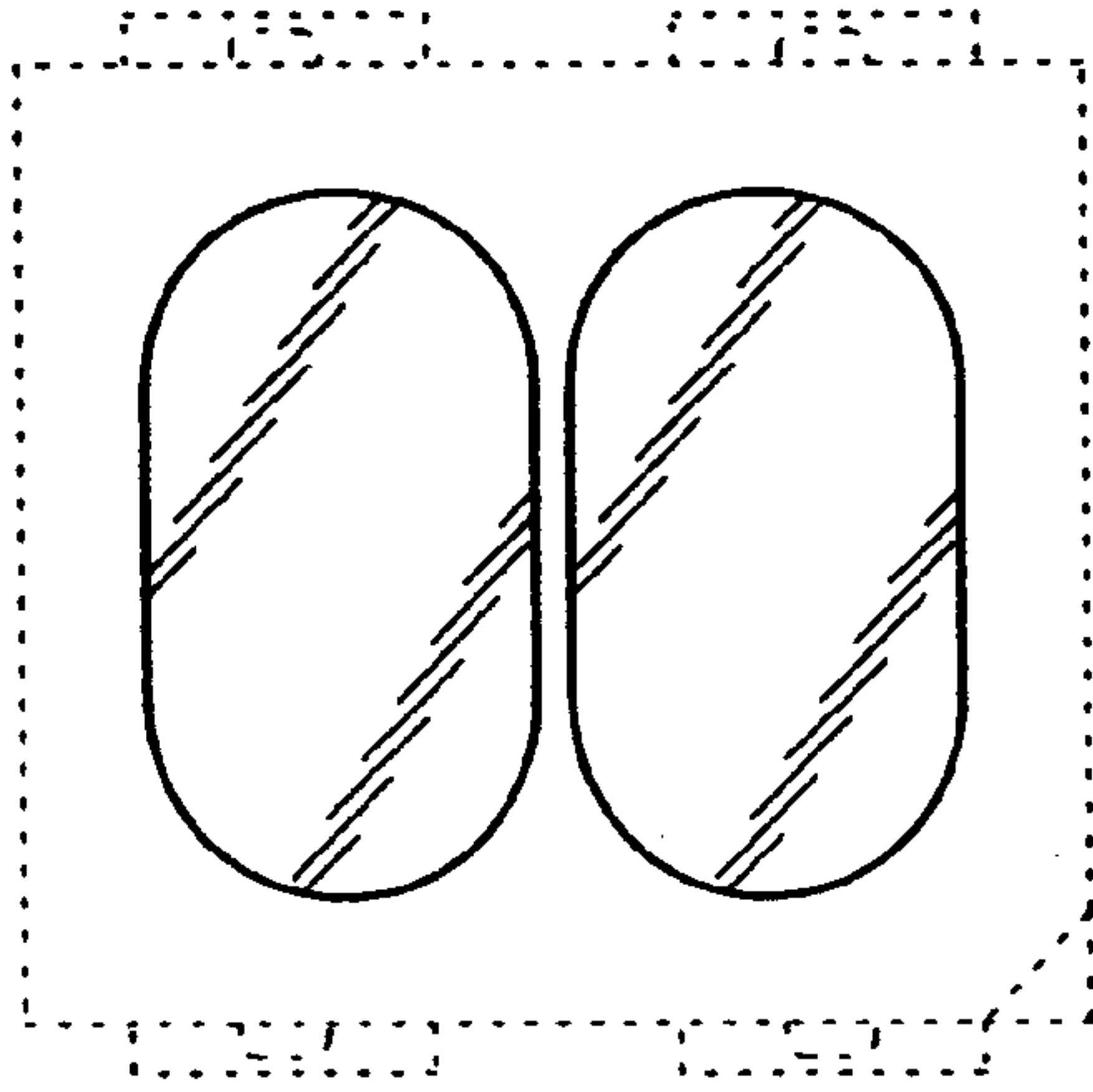


Fig. 5

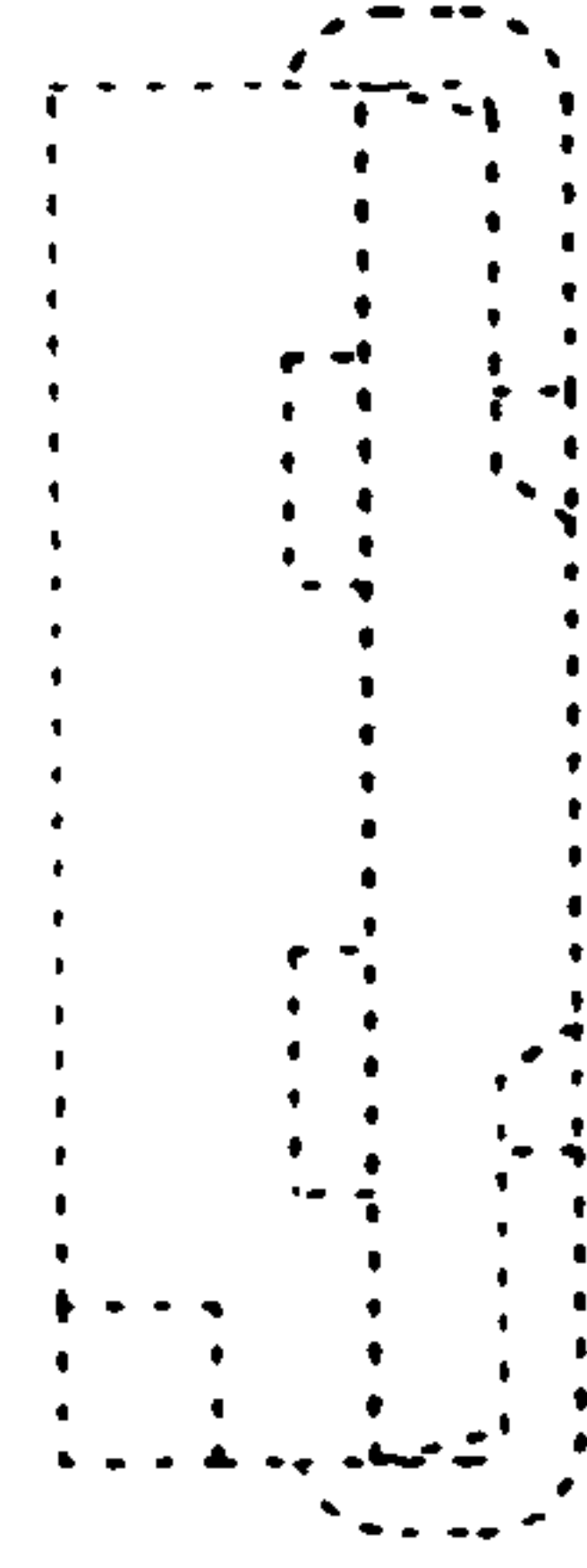


Fig. 6

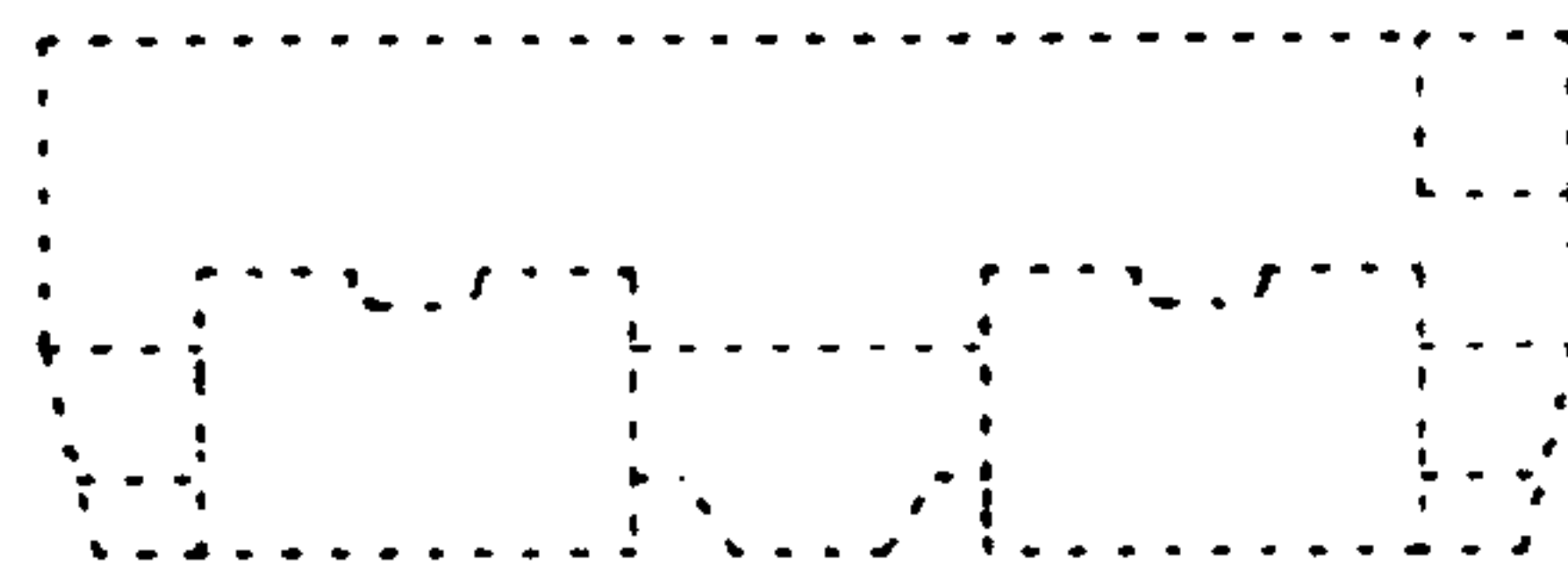


Fig. 7

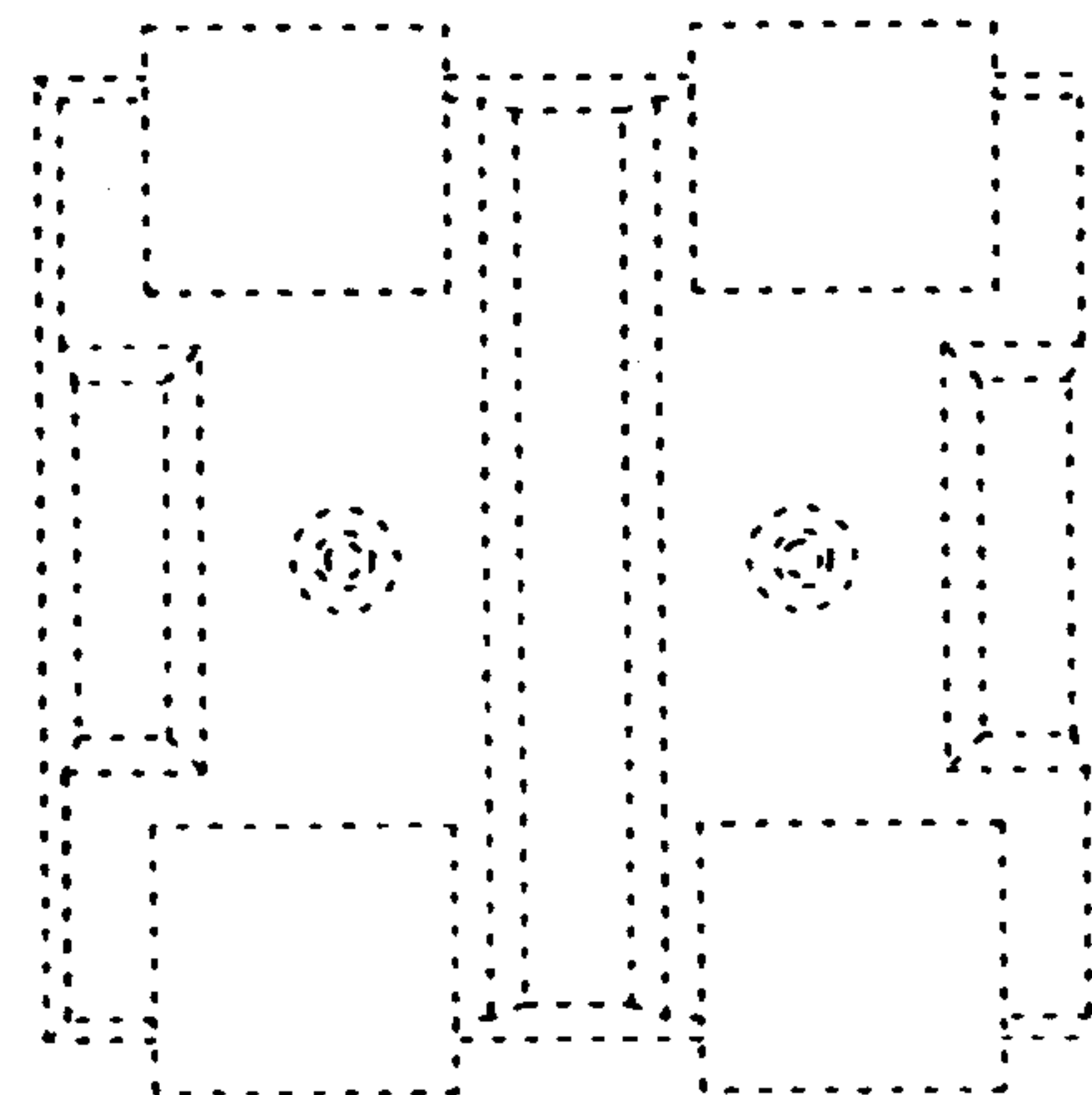


Fig. 8

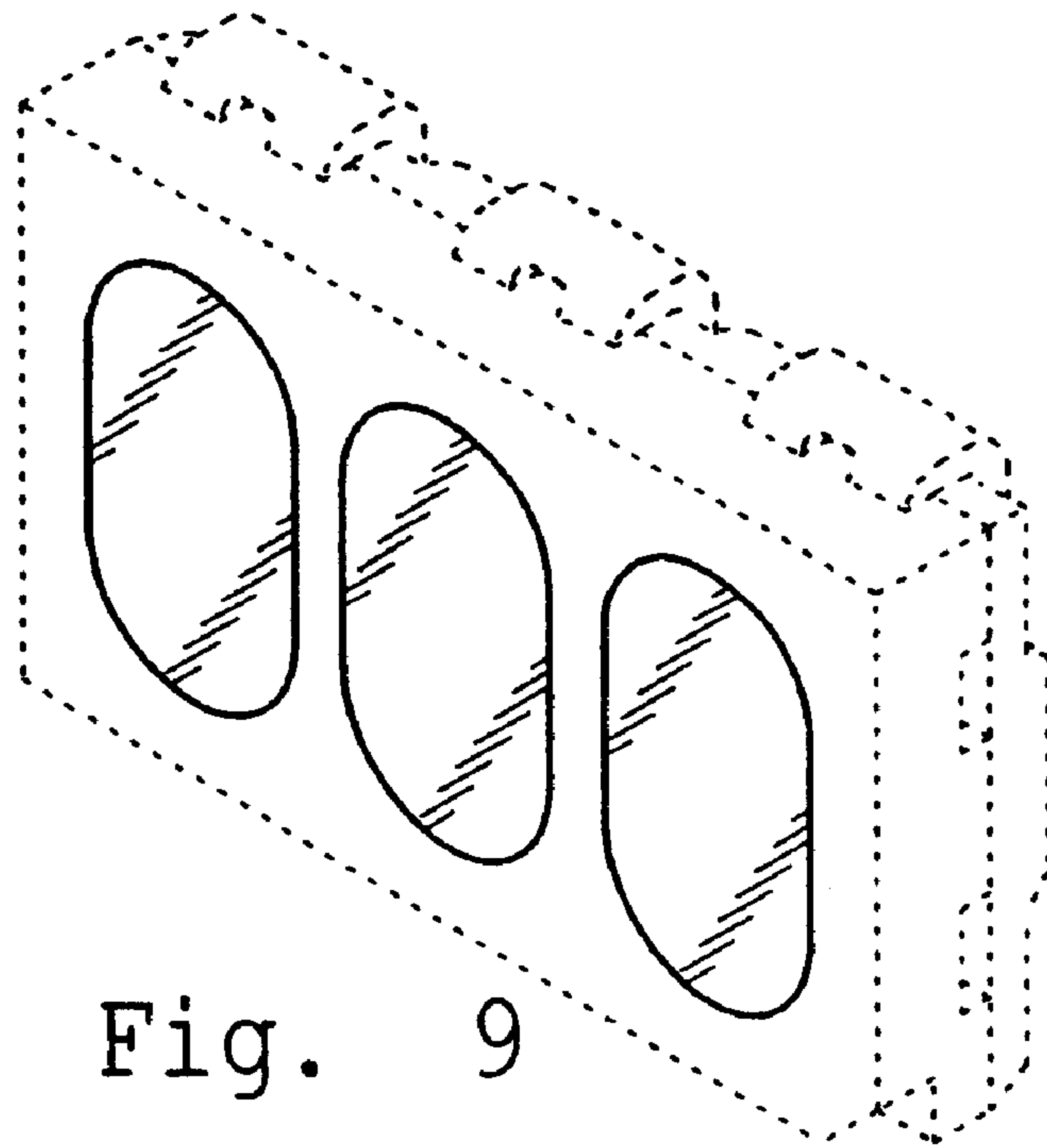


Fig. 9

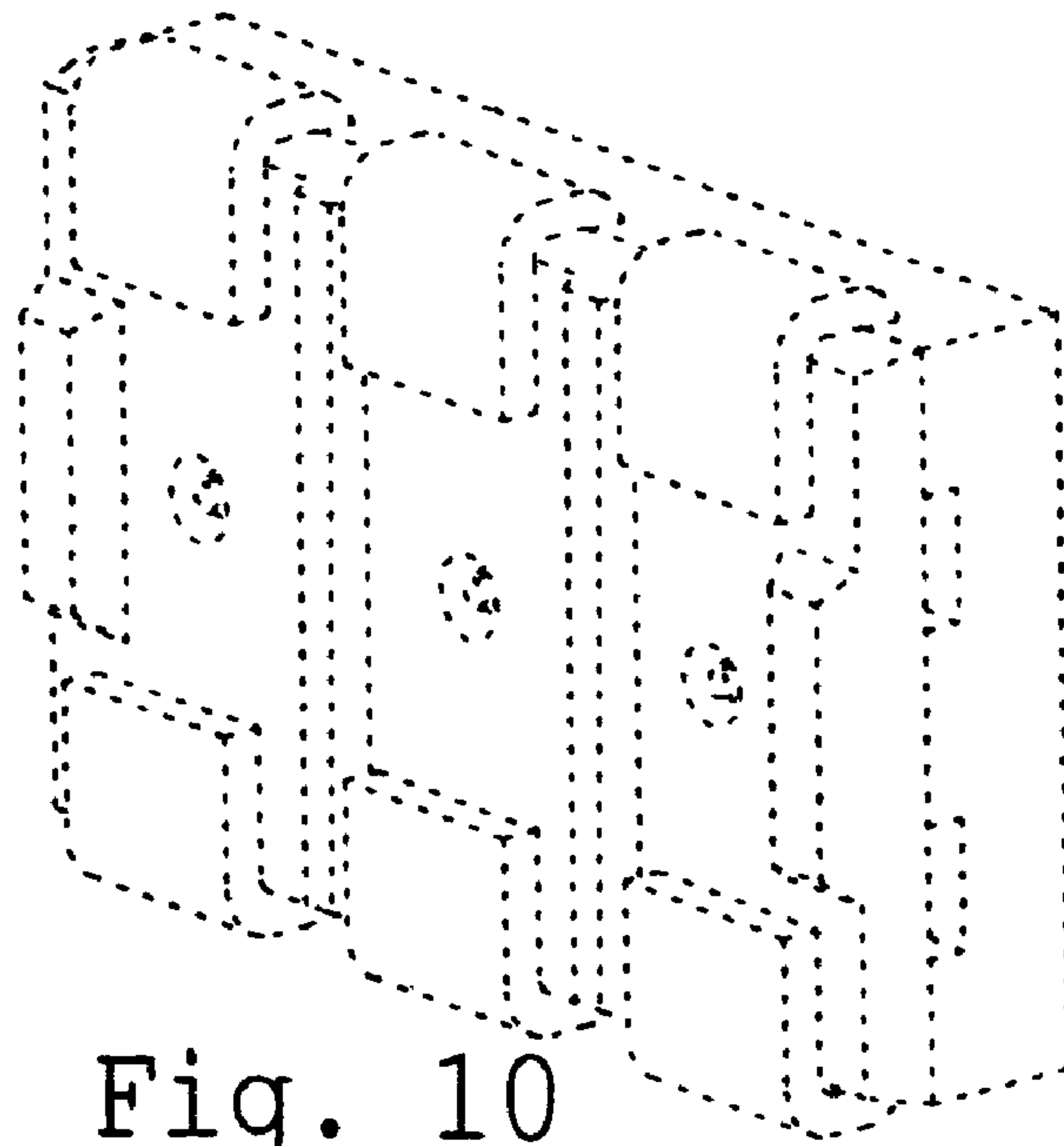


Fig. 10

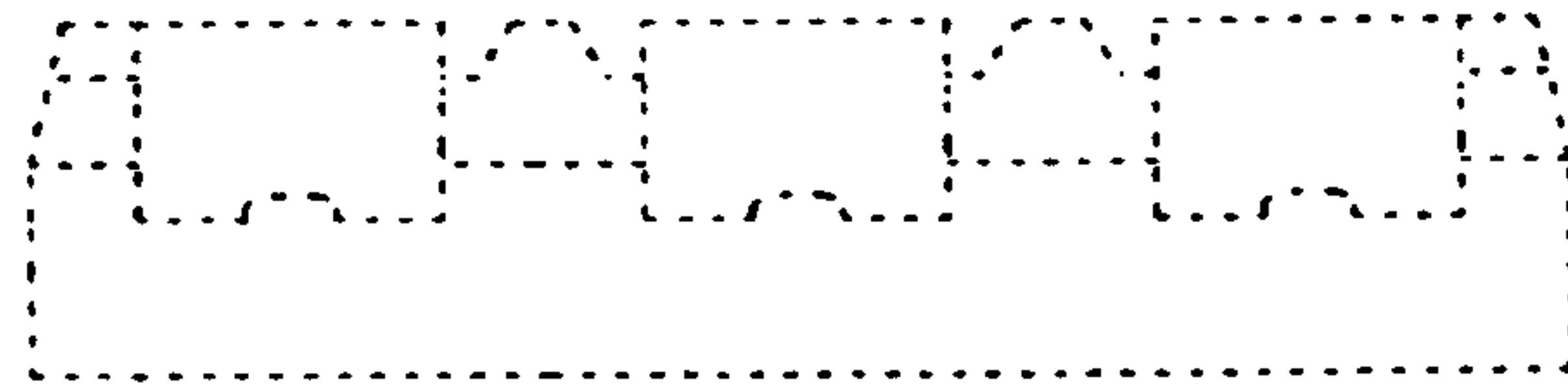


Fig. 11

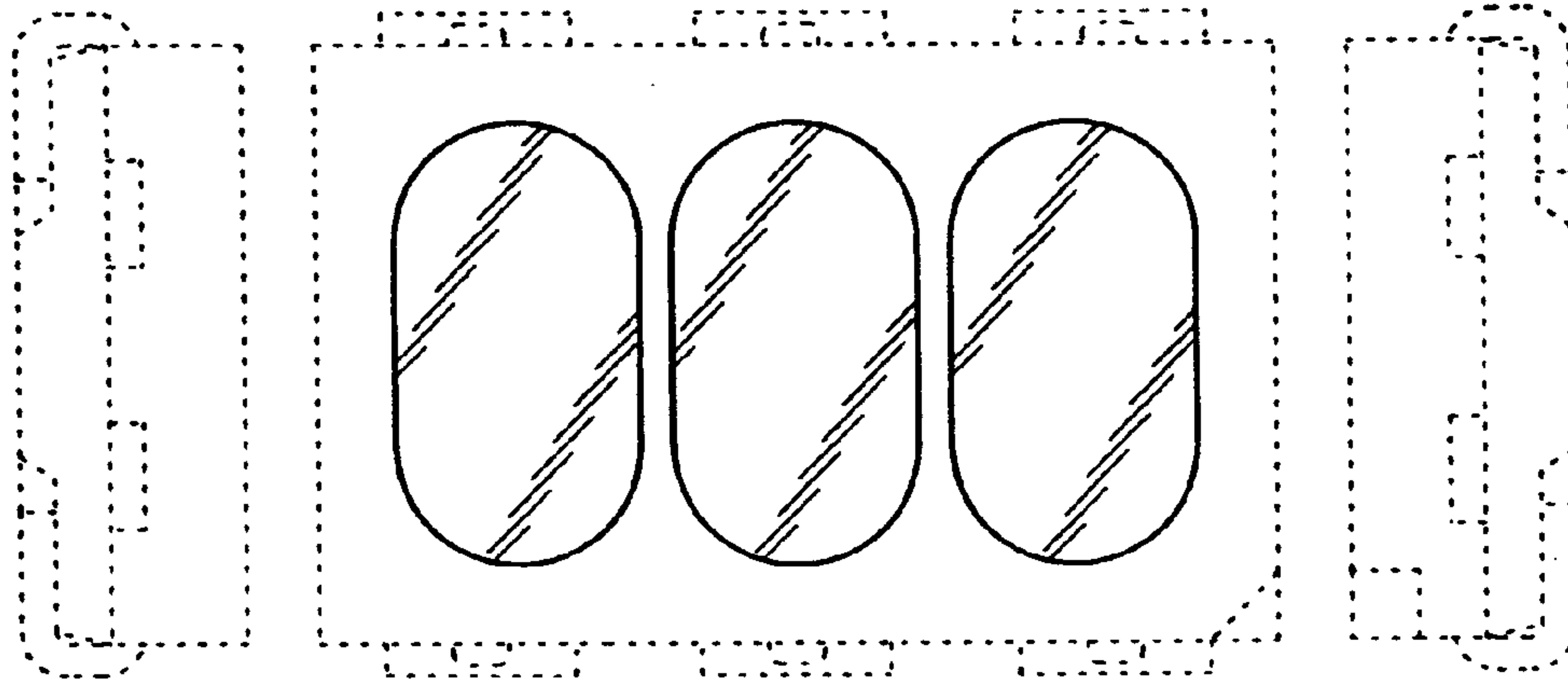


Fig. 12

Fig. 13

Fig. 14

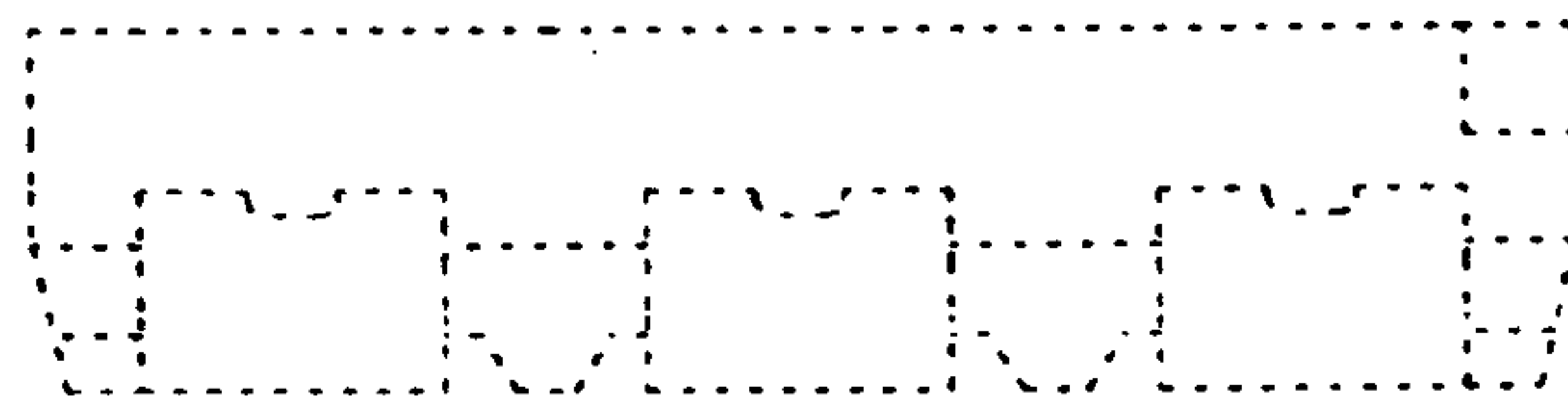


Fig. 15

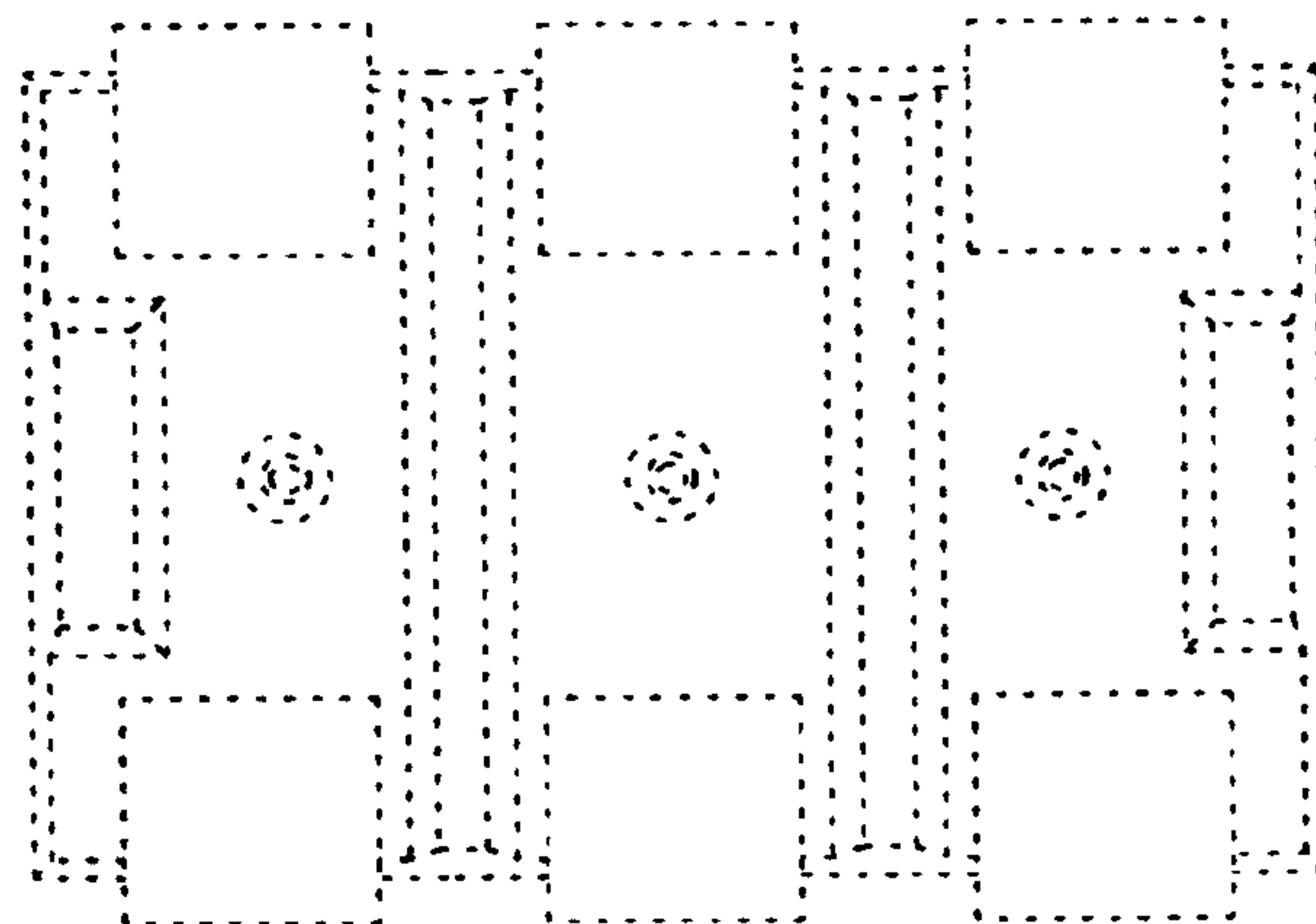


Fig. 16