



US00D510907S

(12) **United States Design Patent**  
**Suckle et al.**

(10) **Patent No.: US D510,907 S**

(45) **Date of Patent: \*\* \*Oct. 25, 2005**

(54) **LINE CONDITIONER**

(75) Inventors: **Mitchell Suckle**, Long Beach, CA  
(US); **Ernesto Quinteros**, Los Angeles,  
CA (US); **David Goetz**, Los Angeles,  
CA (US)

(73) Assignee: **Belkin Corporation**, Compton, CA  
(US)

(\*) Notice: This patent is subject to a terminal disclaimer.

(\*\*) Term: **14 Years**

(21) Appl. No.: **29/197,006**

(22) Filed: **Jan. 7, 2004**

(51) **LOC (8) Cl.** ..... **13-02**

(52) **U.S. Cl.** ..... **D13/110**

(58) **Field of Search** ..... D13/101, 110,  
D13/112, 118, 162, 164, 184, 199; 307/72,  
85-87, 150-151; 361/643, 728

(56) **References Cited**

**U.S. PATENT DOCUMENTS**

D356,297 S \* 3/1995 Carl et al. .... D13/160  
D366,248 S \* 1/1996 Owens ..... D13/184  
5,589,718 A \* 12/1996 Lee ..... 307/72  
5,649,839 A \* 7/1997 Yu ..... 439/650

D392,615 S \* 3/1998 Basile ..... D13/123  
D405,092 S \* 2/1999 Ohshima et al. .... D14/239  
D451,883 S \* 12/2001 Reynolds ..... D13/110  
D452,475 S \* 12/2001 Reynolds ..... D13/110  
D458,218 S \* 6/2002 Reynolds ..... D13/110  
D462,658 S \* 9/2002 Reynolds ..... D13/110  
D464,617 S \* 10/2002 Reynolds ..... D13/110

\* cited by examiner

*Primary Examiner*—Prabhakar Deshmukh

*Assistant Examiner*—Daniel Bui

(74) *Attorney, Agent, or Firm*—Bryan Cave LLP

(57) **CLAIM**

We claim the ornamental design for the line conditioner, as shown and described.

**DESCRIPTION**

FIG. 1 is a top plan view of a line conditioner, showing our new design;

FIG. 2 is a bottom plan view thereof;

FIG. 3 is a front elevational view thereof;

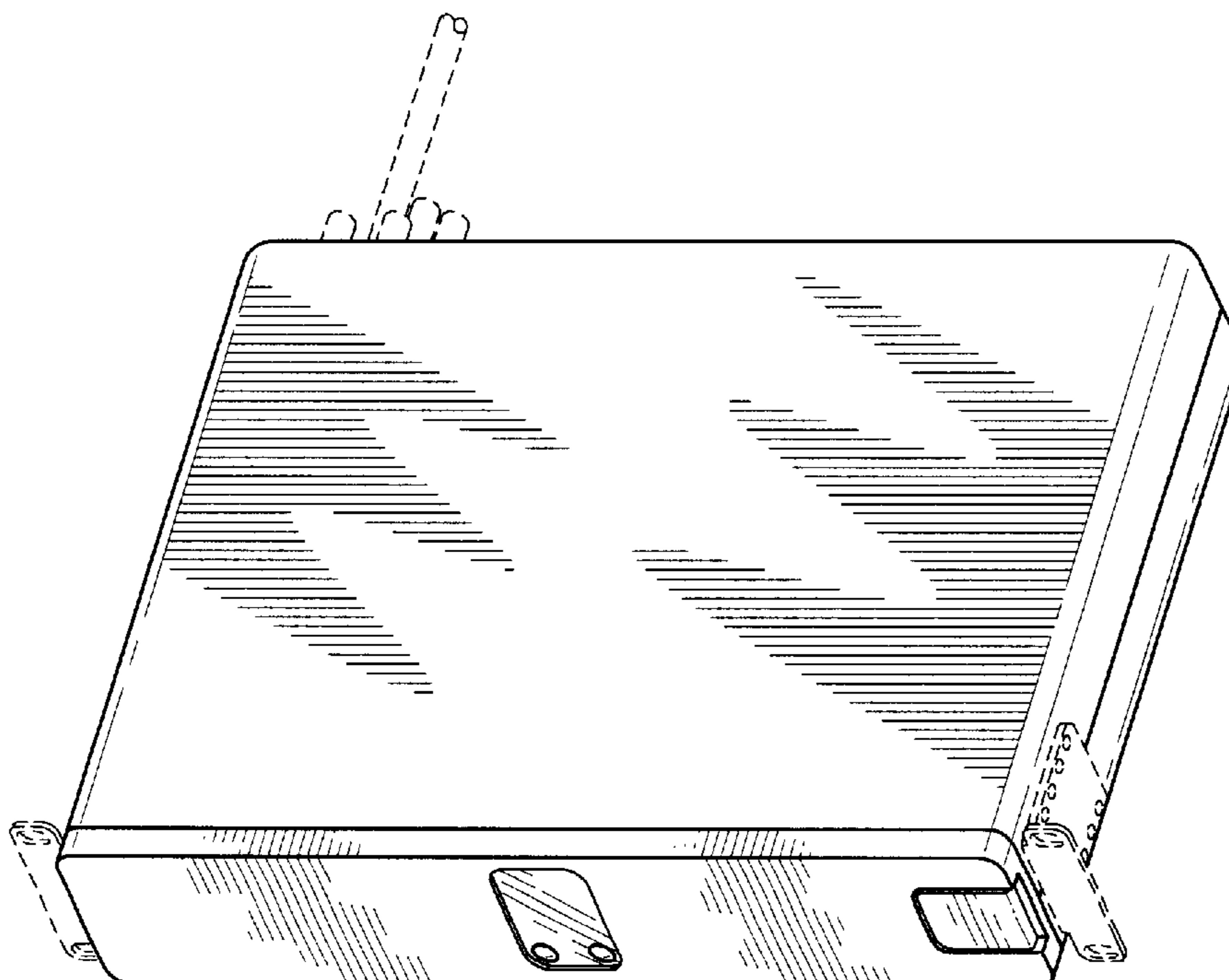
FIG. 4 is a rear elevational view thereof;

FIG. 5 is a right side elevational view thereof, the left side elevational view being a mirror image of the right side elevational view; and,

FIG. 6 is a front, right, top isometric view thereof.

The broken lines in the drawings are for illustrative purposes only and form no part of the claimed design.

**1 Claim, 2 Drawing Sheets**



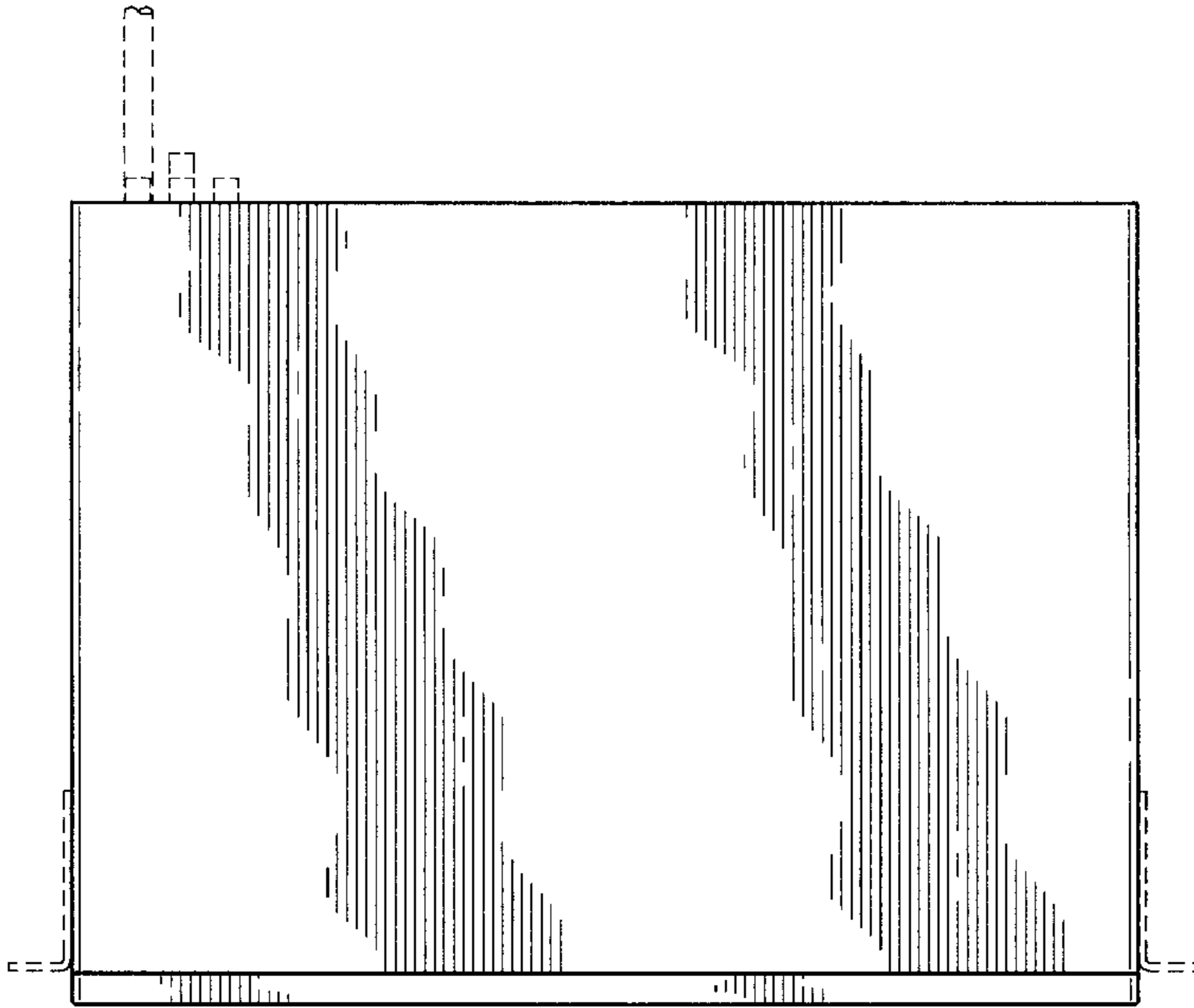


FIG. 1

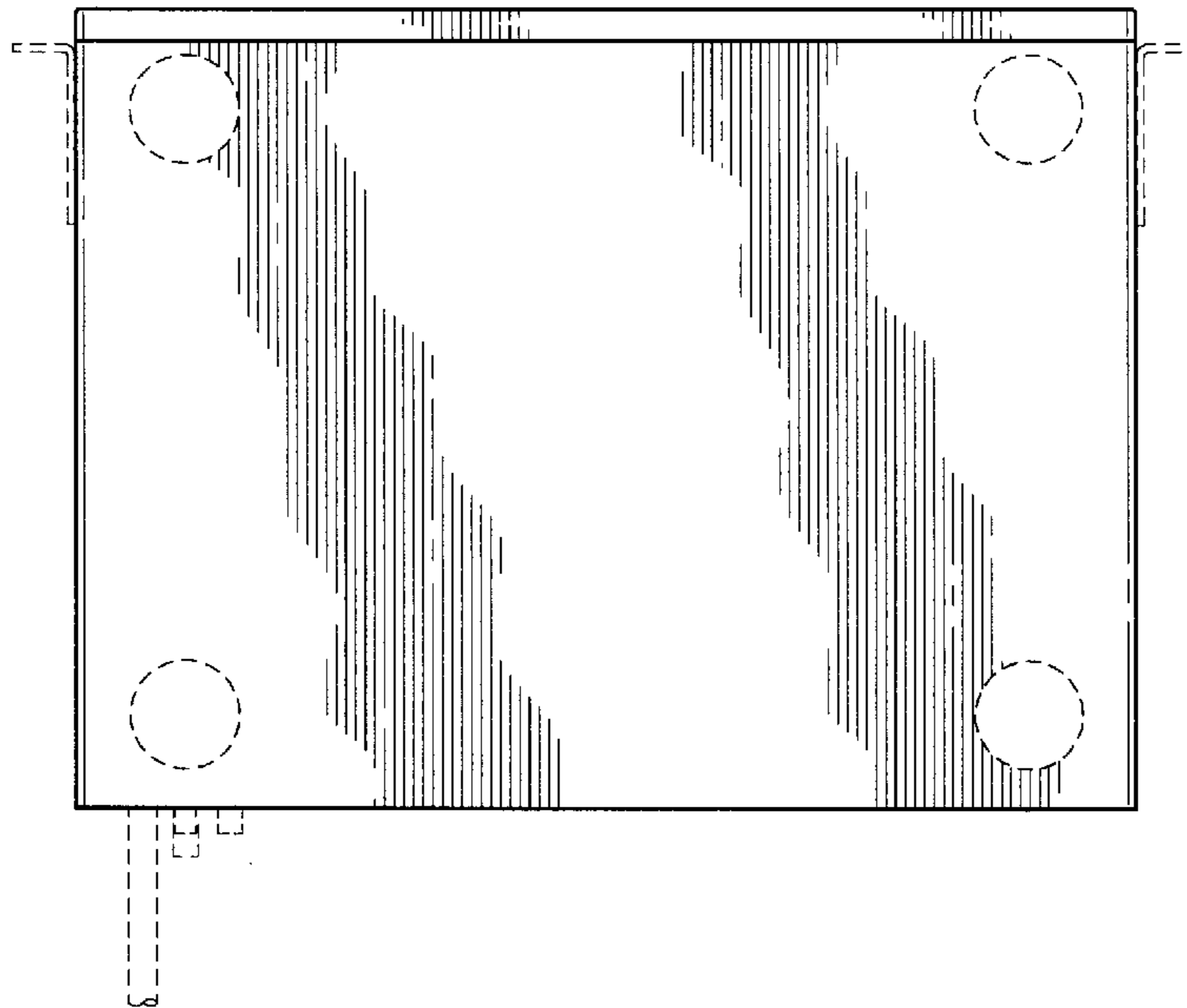
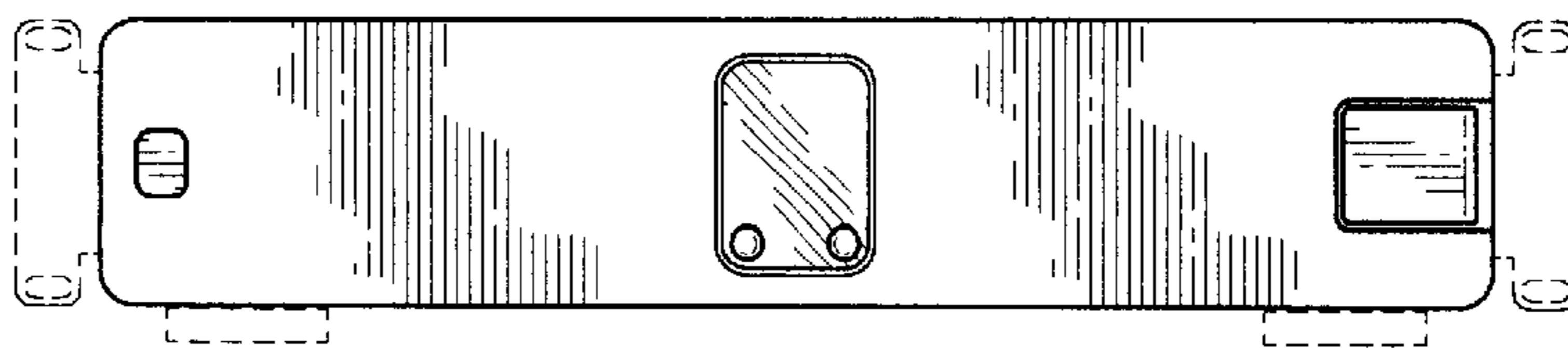


FIG. 2

FIG. 3



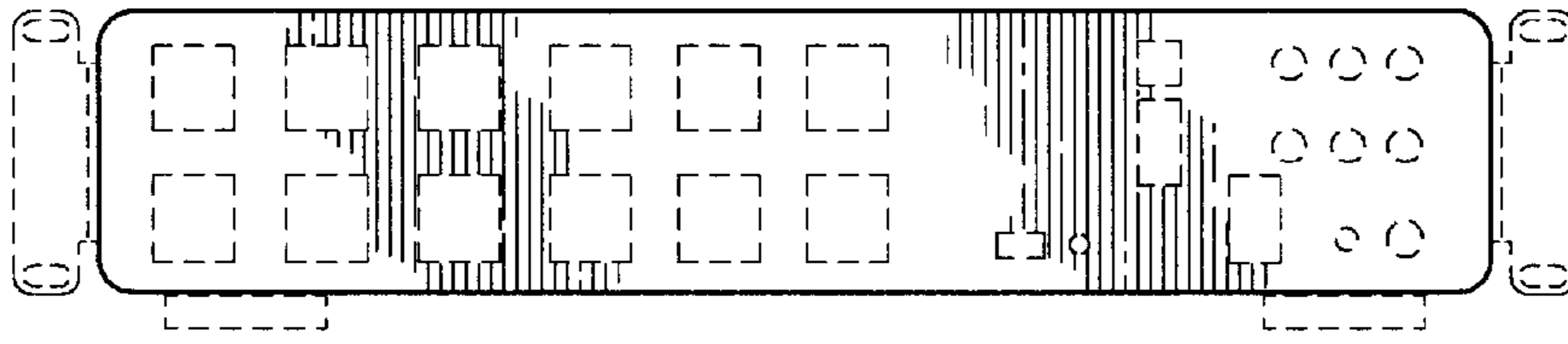


FIG. 4

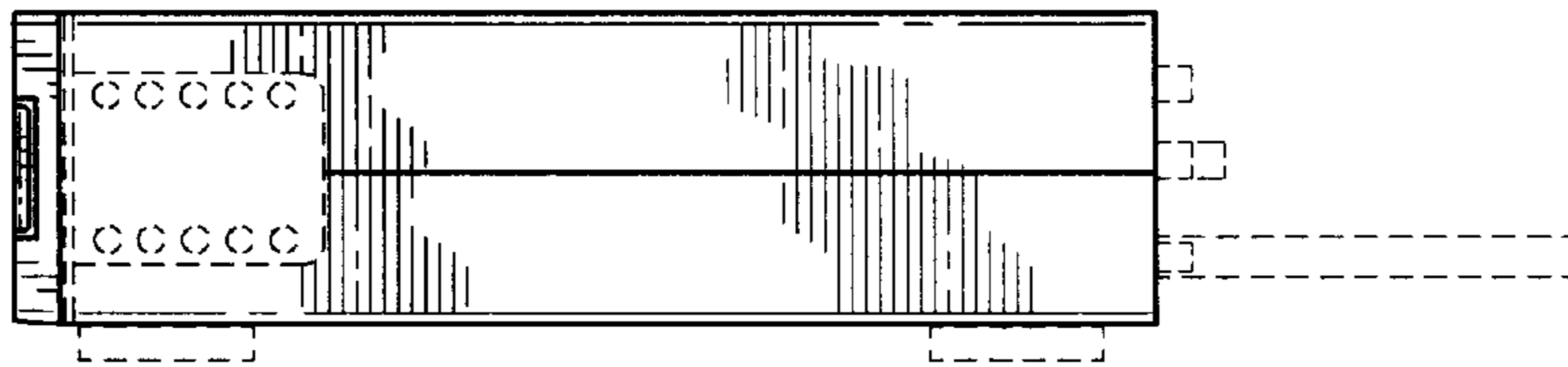


FIG. 5

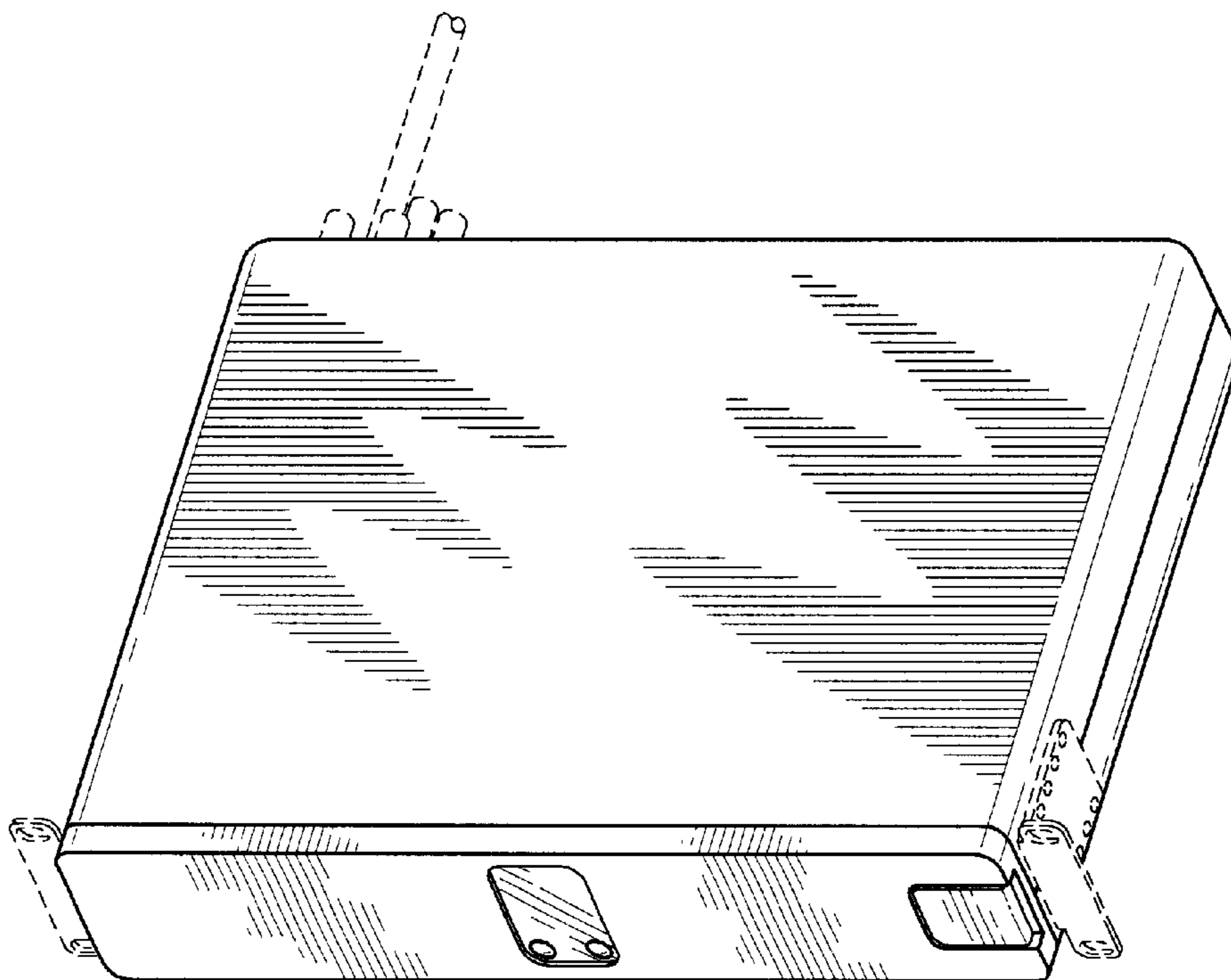


FIG. 6