



US00D510906S

(12) **United States Design Patent** (10) **Patent No.:** **US D510,906 S**
Vinciarelli et al. (45) **Date of Patent:** **** Oct. 25, 2005**

(54) **POWER CONVERTER**
(75) Inventors: **Patrizio Vinciarelli**, Boston, MA (US);
Fred M. Finnemore, Jefferson, ME
(US); **Michael B. Lafleur**, East
Hampstead, NH (US); **Charles I.**
McCauley, Andover, MA (US); **Gary**
C. Keay, Merrimack, NH (US); **Scott**
W. Nowak, Londonderry, NH (US);
Basil Thompson, Hooksett, NH (US)

| | | | | |
|----|-----------|---|---------|------------------|
| GB | 2 214 731 | * | 6/1989 | |
| JP | 50-48579 | | 5/1975 | |
| JP | 63-146940 | | 9/1988 | |
| JP | 1-73966 | | 5/1989 | |
| JP | 2-142173 | | 5/1990 | |
| JP | 2-151095 | | 6/1990 | |
| JP | 2-129766 | | 10/1990 | |
| JP | 3-29389 | | 2/1991 | |
| JP | 3-163893 | | 7/1991 | H05K/1/18 |
| JP | 4-33278 | | 2/1992 | H01R/23/68 |
| JP | 5-315192 | | 11/1993 | |
| JP | 6-509686 | | 10/1994 | |
| JP | 7-143747 | * | 6/1995 | |

(73) Assignee: **VLT, Inc.**, Sunnyvale, CA (US)
(**) Term: **14 Years**

(21) Appl. No.: **29/150,954**
(22) Filed: **Nov. 1, 2001**

Related U.S. Application Data

(63) Continuation of application No. 09/698,503, filed on Oct. 27, 2000, now Pat. No. 6,434,005.
(51) **LOC (8) Cl.** **13-02**
(52) **U.S. Cl.** **D13/110**
(58) **Field of Search** D13/110, 123,
D13/111, 112, 113, 114, 115, 116, 117,
118, 184, 199, 144, 107; 361/679, 688,
690, 707, 709, 728, 710, 715, 761, 719-720;
363/141, 143, 144, 146; 29/890.03; 165/80.2,
185; 257/722; 439/483, 668

(56) **References Cited**

U.S. PATENT DOCUMENTS

2,917,678 A 12/1959 Tepper
D202,349 S 9/1965 Bisnestt et al.
3,205,408 A 9/1965 Boehm et al.

(Continued)

FOREIGN PATENT DOCUMENTS

EP 0 141 582 5/1985
EP 0 674 474 9/1995 H05K/7/10
EP 0 772 379 A1 * 5/1997

OTHER PUBLICATIONS

Gates and Yokoro, "Sealed Chip-on-board Circuit Protection", 3rd International SAMPE Electronics Conference, pp. 929-938, Jun. 1989.*
Lambda Electronics, Inc.—The new RM Series telecommunications power modules (brochure) Sep. 1995.*
Vicor, Data Sheet for 375V Input Micro Family, DC-DC Converter Module, pp 1-8, Jul. 2001.*
Vicor, Data Sheet, 375V Mini Family, DC-DC Converter Module, pp 1-8, Jun. 2001.*
Vicor, Data Sheet for 48V Input Maxi Family, DC-DC Converter Module, pp 1-8, Dec. 1999.*
Vicor, Product Catalog, pp. 8-13, 16-23, 31-34, 54-55, May 1991.*

Primary Examiner—Stella Reid
Assistant Examiner—Daniel Bui
(74) *Attorney, Agent, or Firm*—Fish & Richardson P.C.

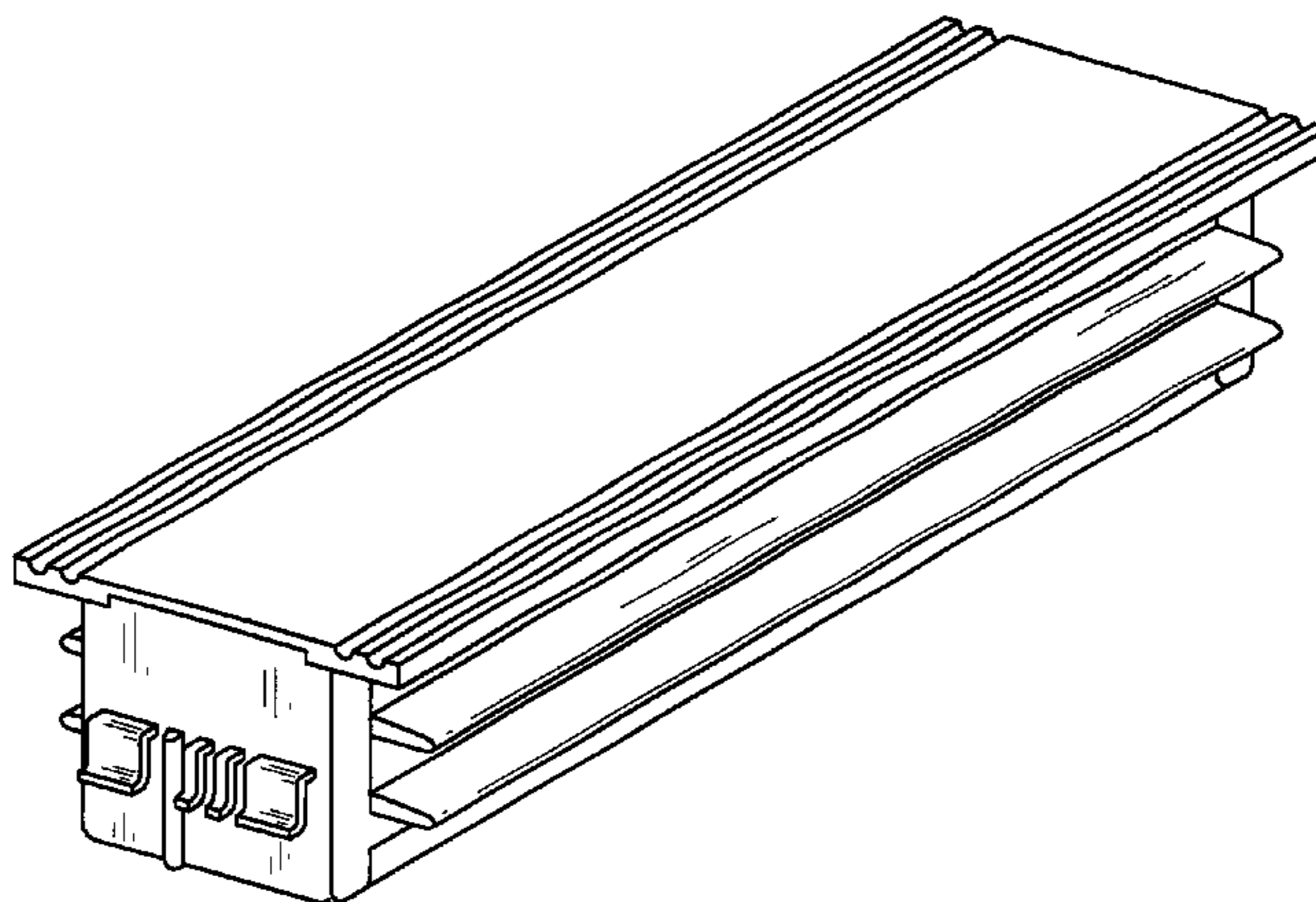
(57) **CLAIM**

The ornamental design for a power converter, as shown and described.

DESCRIPTION

FIG. 1 is a perspective view of a power converter, showing my design.
FIG. 2 is a front elevational view thereof.
FIG. 3 is a rear elevational view thereof.
FIG. 4 is a right side elevational view thereof.
FIG. 5 is a left side elevational view thereof.
FIG. 6 is a top plan view thereof; and,
FIG. 7 is a bottom plan view thereof.

1 Claim, 3 Drawing Sheets



US D510,906 S

Page 2

| U.S. PATENT DOCUMENTS | | | | | |
|-----------------------|---------|---------------------|-----------------|---------|------------------------------|
| | | | 4,975,824 A | 12/1990 | Huss et al. |
| | | | 4,994,215 A | 2/1991 | Wiech, Jr. |
| 3,237,079 A | 2/1966 | Mas | 5,006,673 A | 4/1991 | Freyman et al. |
| 3,617,615 A | 11/1971 | Balzer | 5,019,941 A | 5/1991 | Craft |
| 3,621,338 A | 11/1971 | Rogers et al. | 5,019,946 A | 5/1991 | Eichelberger et al. |
| 3,683,241 A | 8/1972 | Duncan | 5,028,987 A | 7/1991 | Neugebauer et al. |
| 4,138,711 A | 2/1979 | Bremenour et al. | 5,184,281 A | 2/1993 | Samarov et al. |
| D263,465 S | 3/1982 | Fathi | 5,200,884 A | 4/1993 | Ohashi |
| 4,400,762 A | 8/1983 | Bartley et al. | 5,249,971 A | 10/1993 | Lai et al. |
| 4,417,296 A | 11/1983 | Schelhorn | D344,928 S | 3/1994 | Vinciarelli et al. |
| 4,479,686 A | 10/1984 | Hoshino et al. | D349,682 S * | 8/1994 | Hunziker D13/110 |
| 4,531,145 A | 7/1985 | Wiech, Jr. | D350,529 S | 9/1994 | Hunziker |
| 4,551,746 A | 11/1985 | Gilbert et al. | 5,352,851 A | 10/1994 | Wallace et al. |
| 4,551,747 A | 11/1985 | Gilbert et al. | 5,365,403 A | 11/1994 | Vinciarelli et al. |
| 4,603,927 A | 8/1986 | Gardner | 5,394,300 A | 2/1995 | Yoshimura |
| 4,603,929 A | 8/1986 | Fitzpatrick | D363,056 S | 10/1995 | Vinciarelli et al. |
| 4,622,621 A | 11/1986 | Barre | D365,082 S * | 12/1995 | Cook, II et al. D13/110 |
| 4,685,753 A | 8/1987 | Isshiki et al. | D371,110 S | 6/1996 | Harris et al. |
| 4,724,283 A | 2/1988 | Shimada et al. | D379,174 S * | 5/1997 | Kornblum et al. D13/123 |
| 4,740,414 A | 4/1988 | Shaheen | D386,761 S * | 11/1997 | Pleitz D14/188 |
| 4,741,472 A | 5/1988 | Barmann | 5,742,478 A | 4/1998 | Wu |
| 4,750,089 A | 6/1988 | Derryberry et al. | 5,909,358 A | 6/1999 | Bradt |
| 4,769,525 A | 9/1988 | Leatham | 6,000,125 A | 12/1999 | Kang |
| D297,928 S | 10/1988 | Harpley et al. | 6,031,726 A | 2/2000 | Vinciarelli et al. |
| 4,783,695 A | 11/1988 | Eichelberger et al. | D427,146 S * | 6/2000 | Wei D13/110 |
| 4,783,697 A | 11/1988 | Benenati et al. | D427,147 S * | 6/2000 | Wei D13/110 |
| 4,847,136 A | 7/1989 | Lo | D427,969 S * | 7/2000 | Wei D13/110 |
| 4,879,630 A | 11/1989 | Boucard et al. | 6,623,281 B2 | 9/2003 | Vinciarelli |
| 4,918,811 A | 4/1990 | Eichelberger et al. | 2002/0016094 A1 | 2/2002 | Vinciarelli et al. |
| 4,953,005 A | 8/1990 | Carlson et al. | | | |
| 4,959,750 A | 9/1990 | Cnyrim et al. | | | |

* cited by examiner

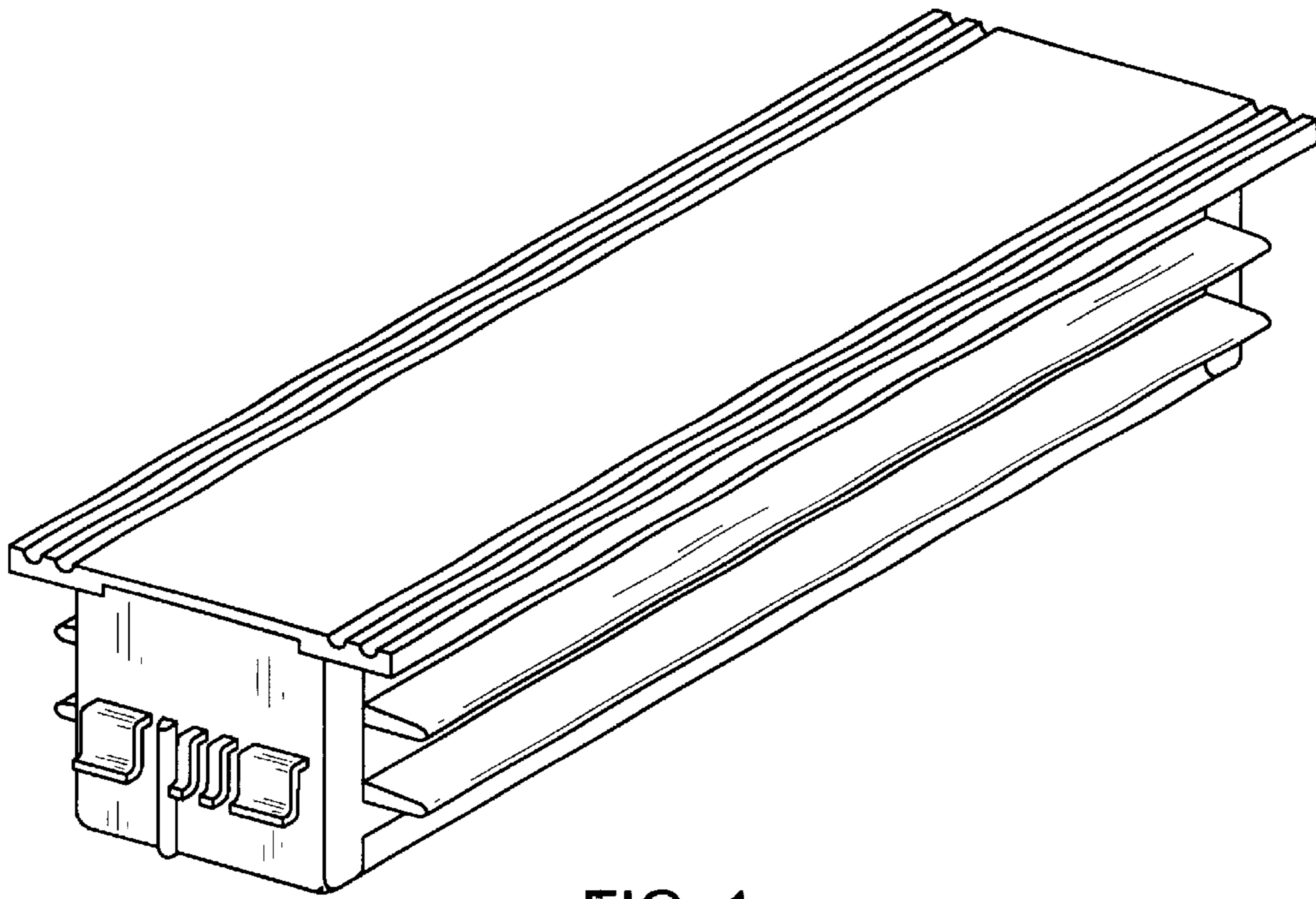


FIG. 1

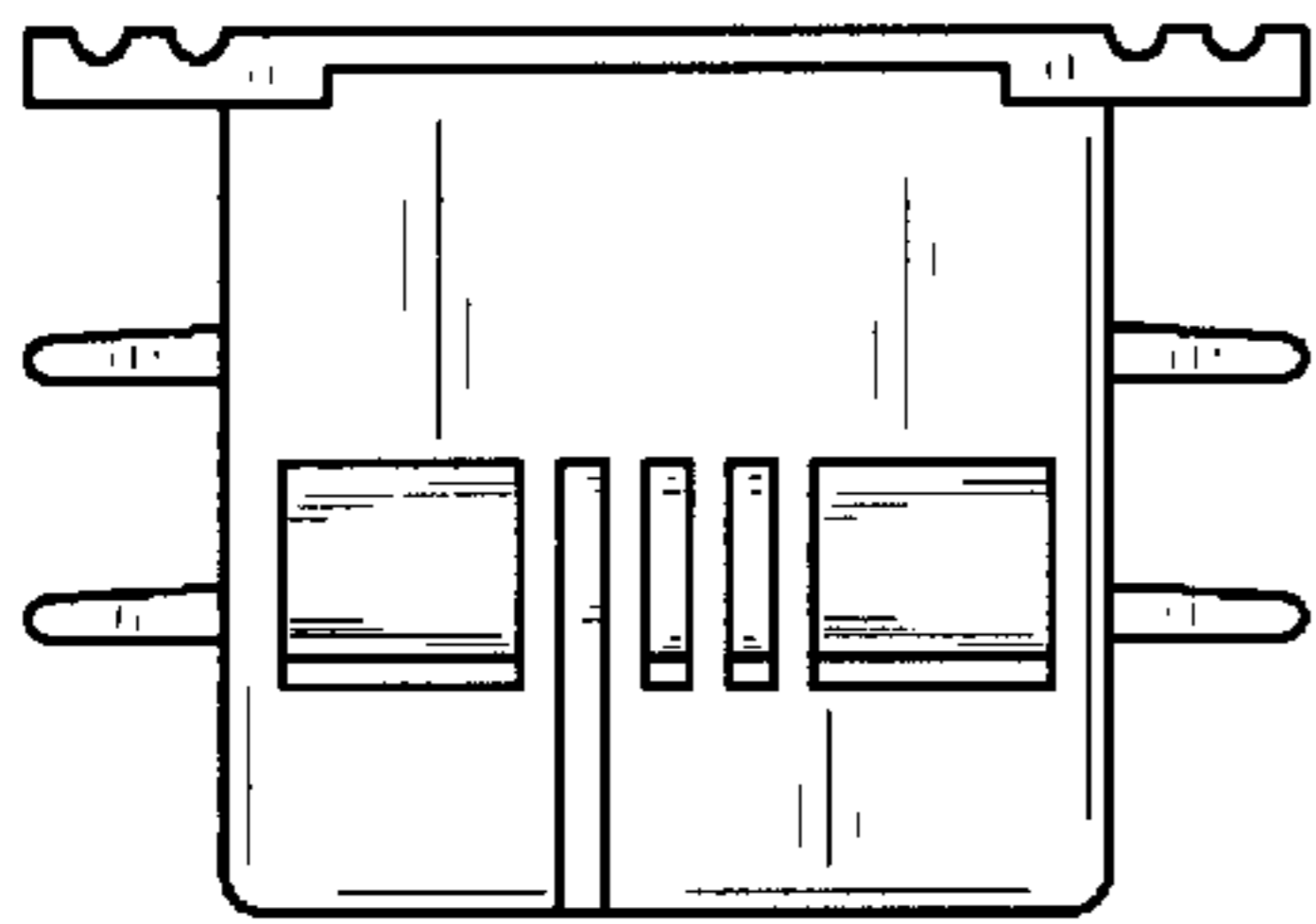


FIG. 2

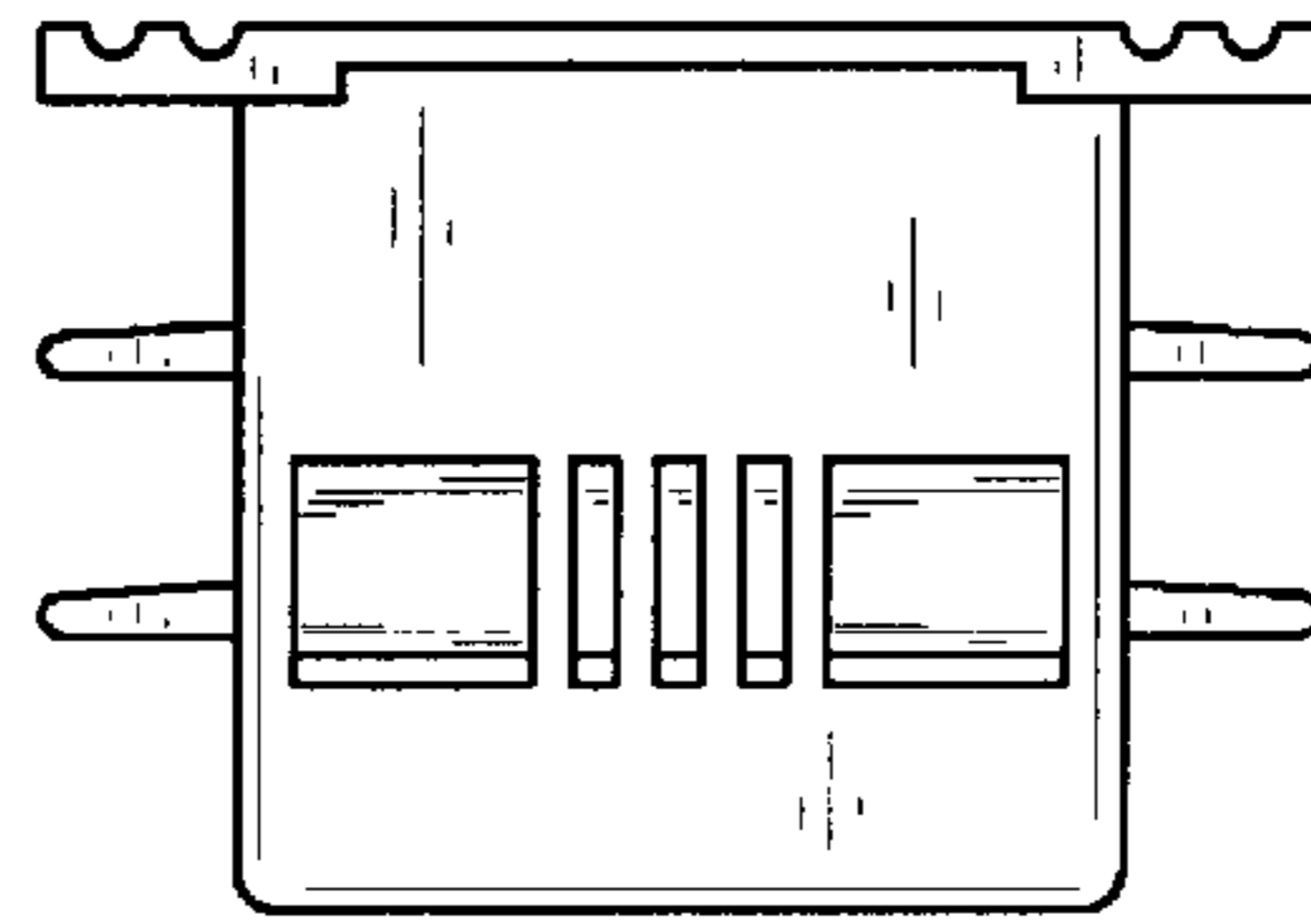


FIG. 3

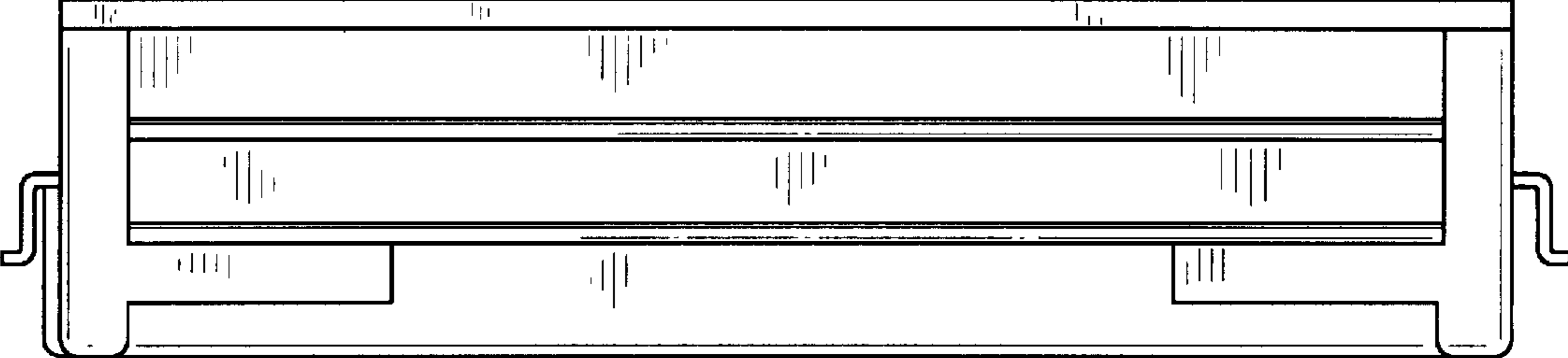


FIG. 4

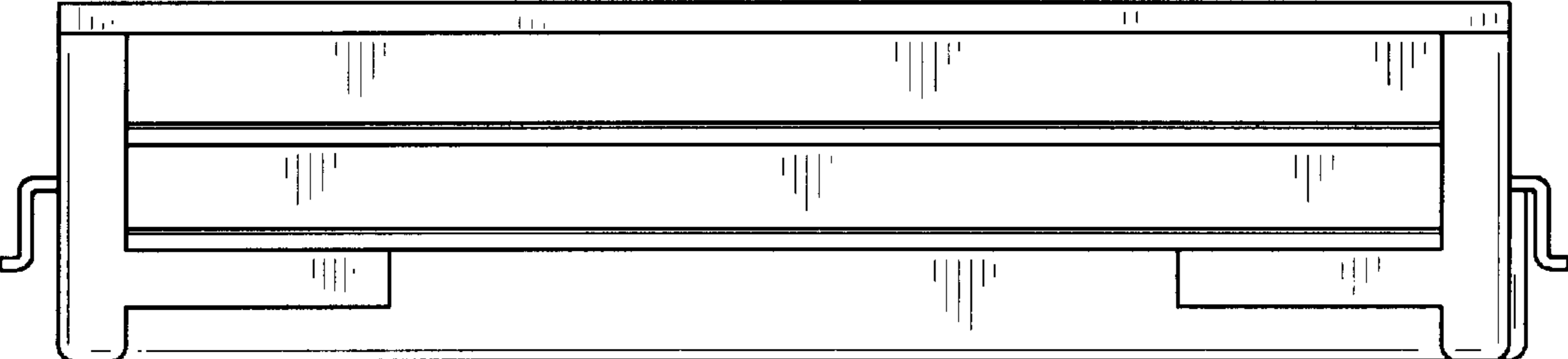


FIG. 5

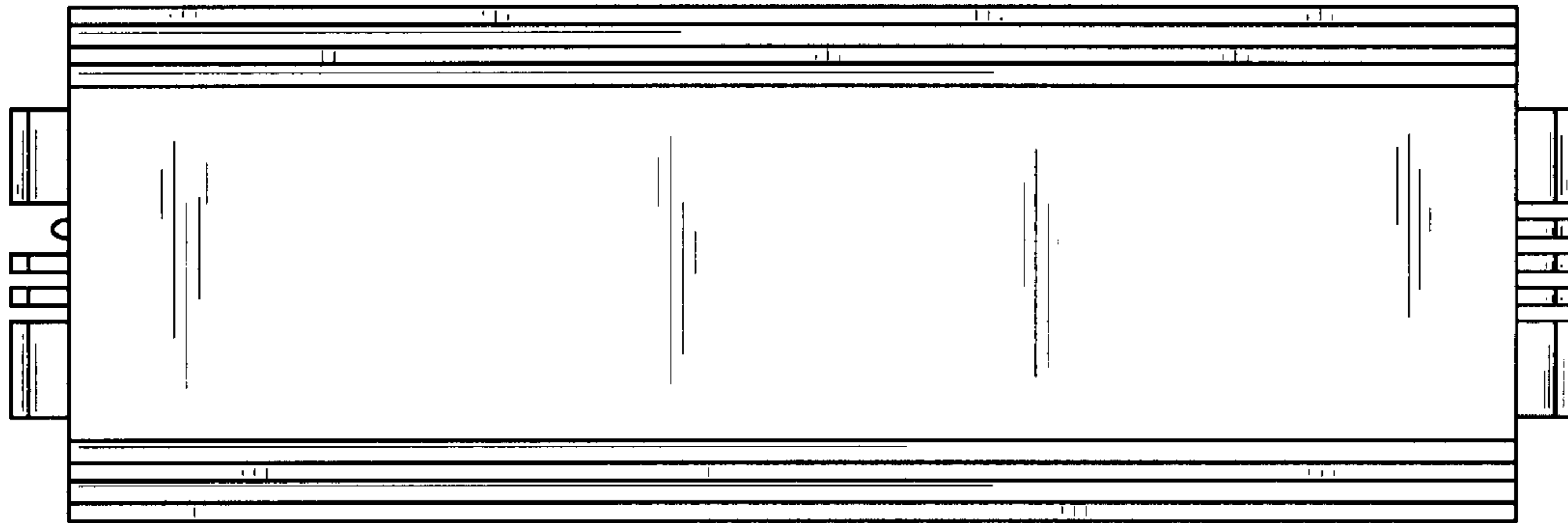


FIG. 6

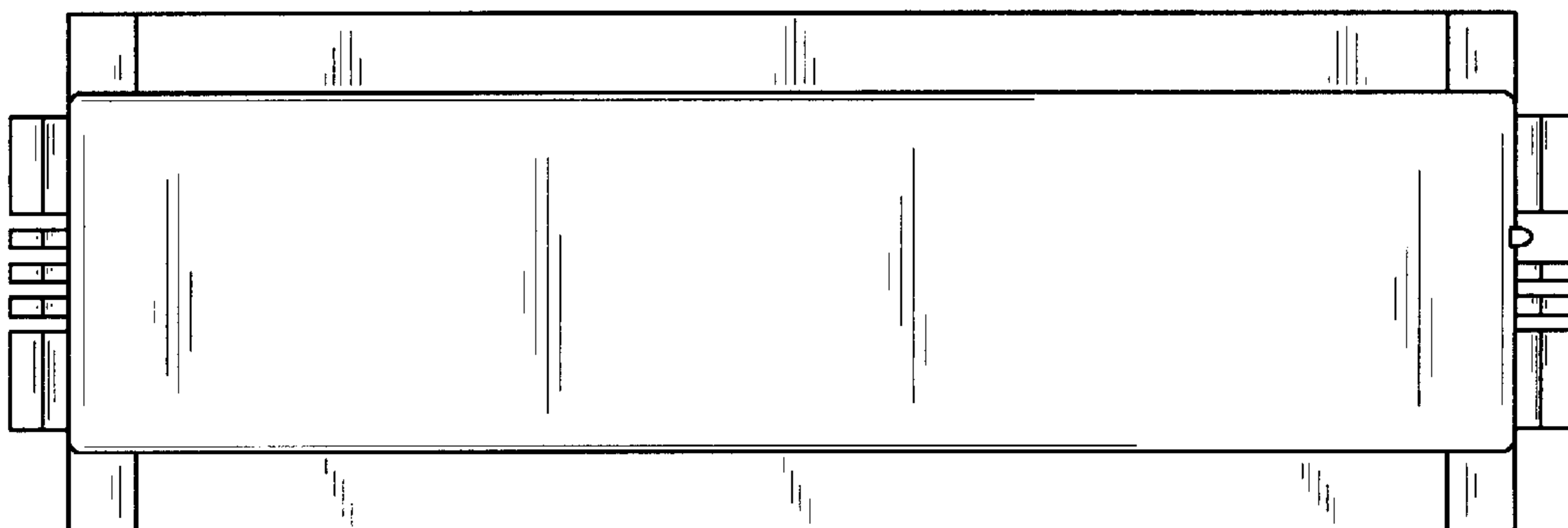


FIG. 7