



US00D510905S

(12) **United States Design Patent**
Thirouin

(10) **Patent No.:** **US D510,905 S**

(45) **Date of Patent:** **** Oct. 25, 2005**

(54) **CHARGING UNIT**

(75) **Inventor:** **Stéphane Thirouin, Paris (FR)**

(73) **Assignee:** **FACOM, Morangis (FR)**

(**) **Term:** **14 Years**

(21) **Appl. No.:** **29/198,512**

(22) **Filed:** **Feb. 2, 2004**

(30) **Foreign Application Priority Data**

Oct. 17, 2003 (EM) 89271

(51) **LOC (8) Cl.** **13-02**

(52) **U.S. Cl.** **D13/108**

(58) **Field of Search** D13/107-108,
D13/110, 118; D14/251, 253, 432, 447;
D16/219, 237, 242; 320/107-115

(56) **References Cited**

U.S. PATENT DOCUMENTS

- D205,396 S * 8/1966 Cox D13/108
- D210,732 S * 4/1968 Anderson D13/108
- D216,292 S * 12/1969 DeVarco D13/108
- D216,547 S * 2/1970 Mango et al. D13/108
- D274,903 S * 7/1984 Eckmann et al. D13/107

- D342,718 S * 12/1993 Mackay D13/108
- D345,728 S * 4/1994 Tyneski et al. D13/108
- D409,563 S * 5/1999 Haase et al. D13/107
- D411,166 S * 6/1999 Uemura et al. D13/107
- D433,991 S * 11/2000 Buchin et al. D13/108
- D453,731 S * 2/2002 Hauptli D13/108
- D462,321 S * 9/2002 Ullmann D13/108
- D463,361 S * 9/2002 Ruohonen D13/108

* cited by examiner

Primary Examiner—Alan P. Douglas

Assistant Examiner—Rosemary Tarca

(74) *Attorney, Agent, or Firm*—Wenderoth, Lind & Ponack, L.L.P.

(57) **CLAIM**

The ornamental design for a charging unit, as shown and described.

DESCRIPTION

FIG. 1 is a front view of a charging unit according to the present invention;

FIG. 2 is a rear view of the charging unit of FIG. 1;

FIG. 3 is a top view of the charging unit of FIG. 1; and,

FIG. 4 is a bottom view of the charging unit of FIG. 1.

1 Claim, 4 Drawing Sheets

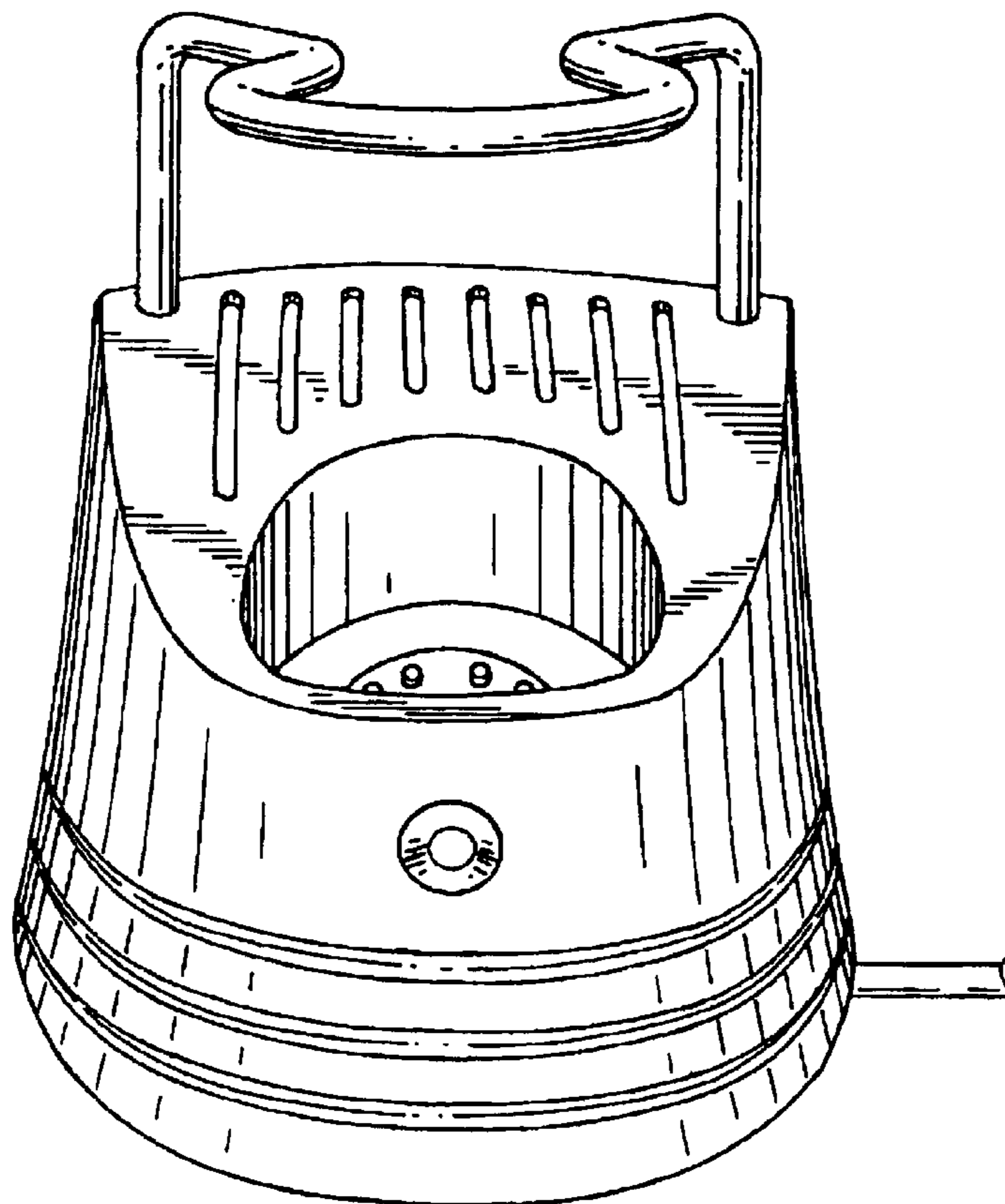


FIG. 1

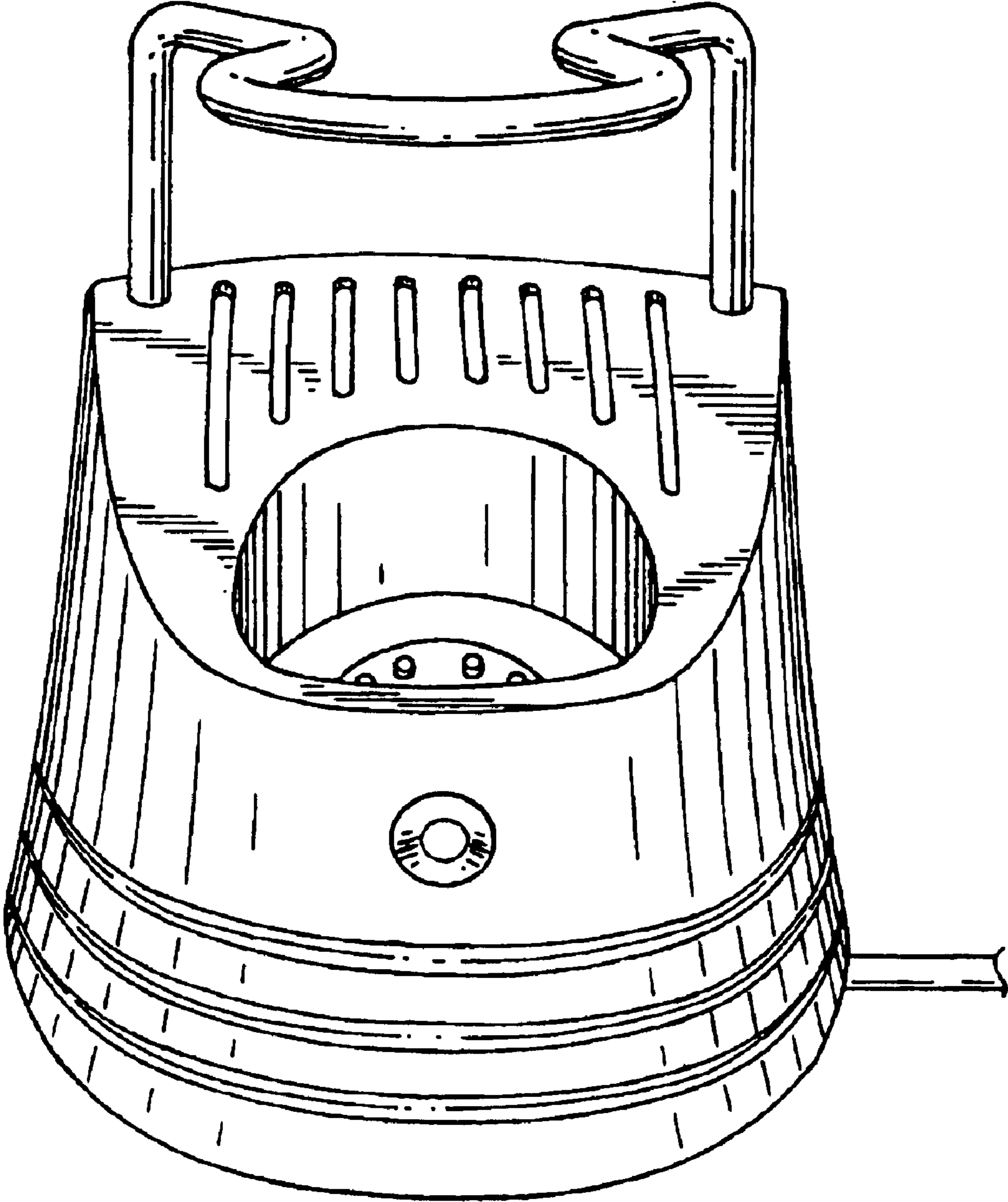


FIG. 2

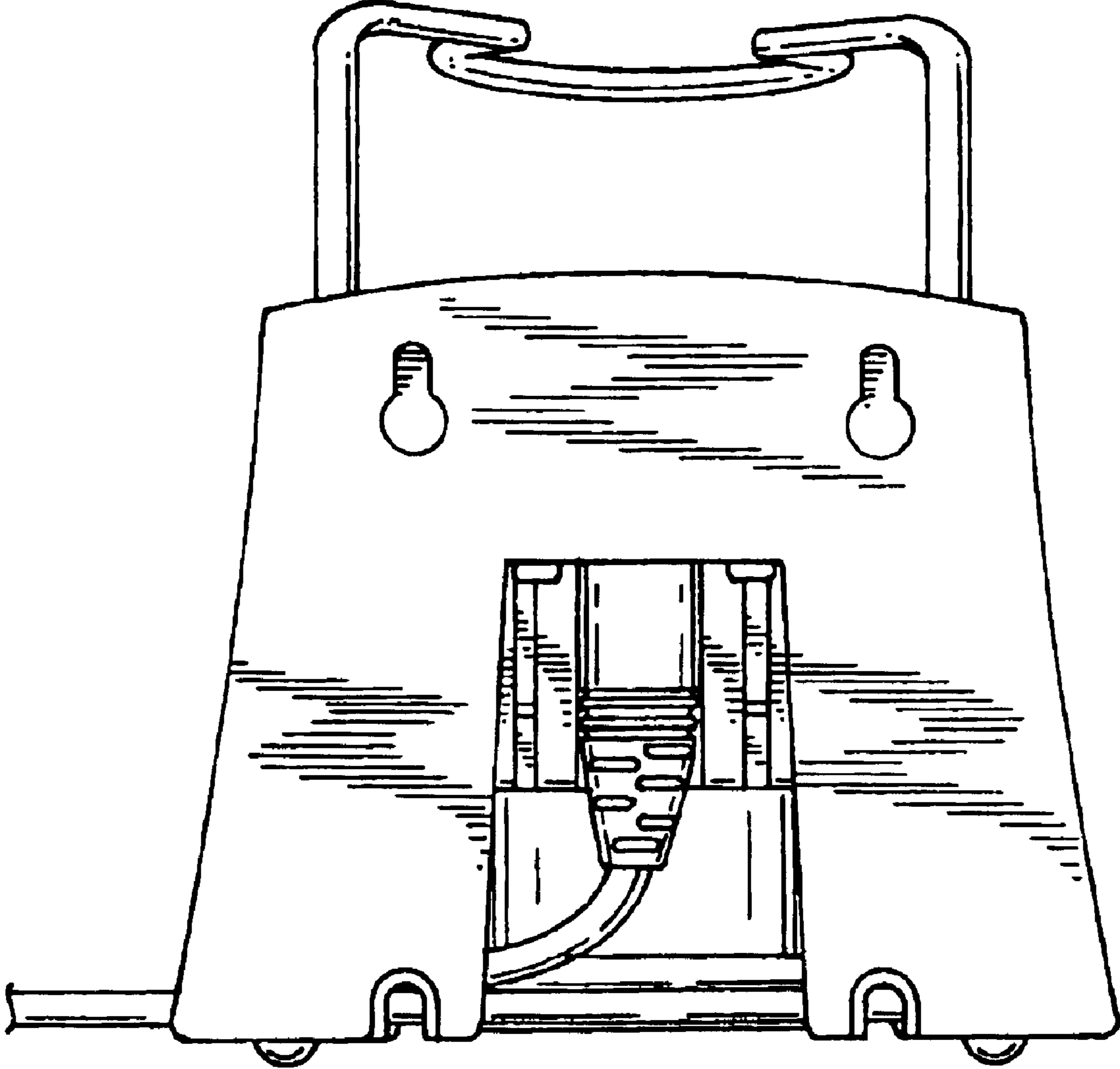


FIG. 3

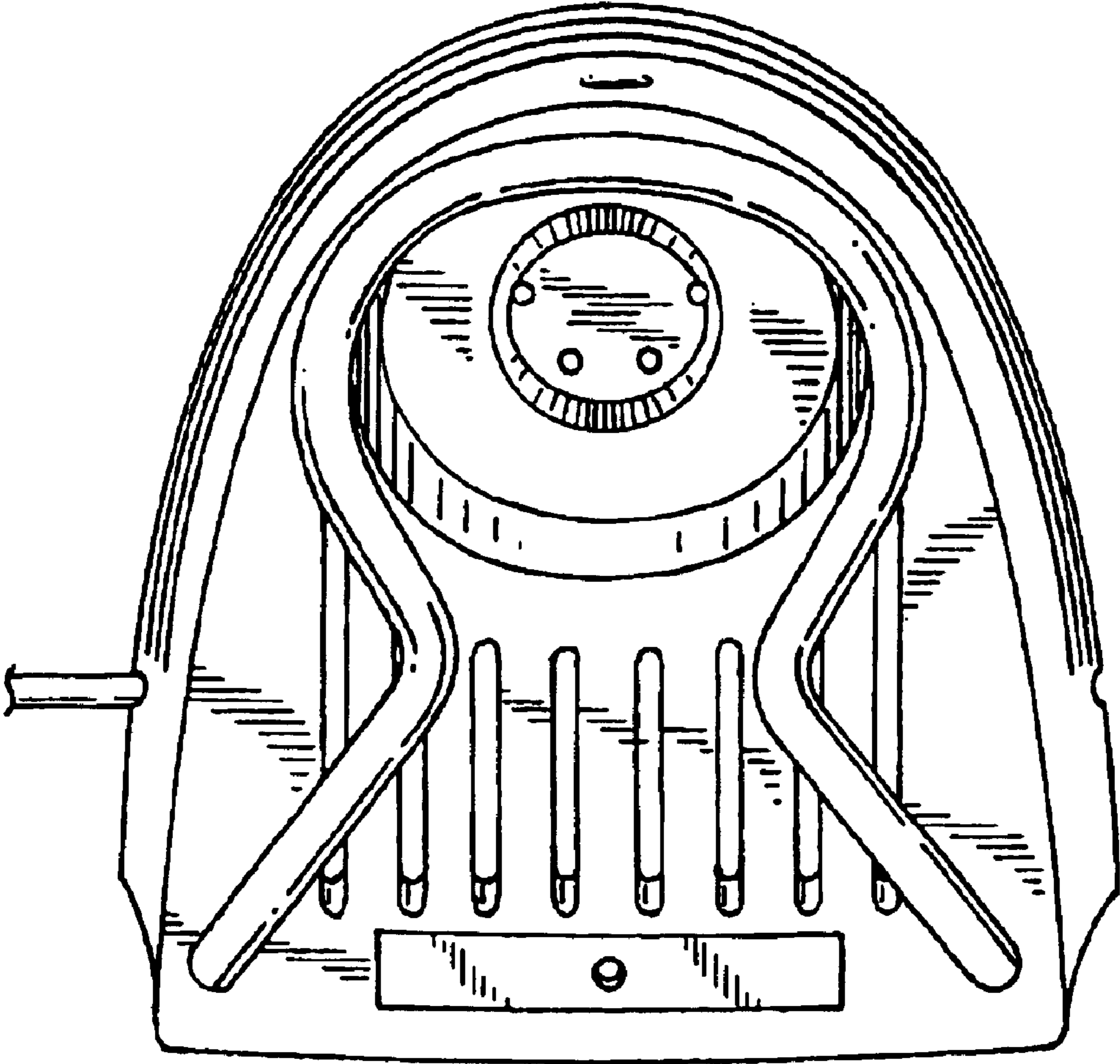


FIG. 4

