



US00D510897S

(12) **United States Design Patent** (10) **Patent No.:** **US D510,897 S**  
**Barnes** (45) **Date of Patent:** **\*\* Oct. 25, 2005**

(54) **WHEEL SHIELD**

(76) **Inventor:** **Vaughn Barnes**, 174 Shorecliff Rd.,  
Corona Del Mar, CA (US) 92625

(\*\*) **Term:** **14 Years**

(21) **Appl. No.:** **29/169,807**

(22) **Filed:** **Oct. 24, 2002**

(51) **LOC (8) Cl.** ..... **12-16**

(52) **U.S. Cl.** ..... **D12/204**

(58) **Field of Search** ..... **D12/204-213;**  
**301/37.101, 64.101, 65**

(56) **References Cited**

**U.S. PATENT DOCUMENTS**

D175,925 S	*	11/1955	Bannister	.....	D12/204
D317,746 S	*	6/1991	Carter, III	.....	D12/204
D338,866 S	*	8/1993	Teufel	.....	D12/204
D338,867 S	*	8/1993	Teufel	.....	D12/204
D369,775 S	*	5/1996	Choi	.....	D12/204
D418,472 S	*	1/2000	Okamoto et al.	.....	D12/204
D449,265 S	*	10/2001	Hull	.....	D12/204

\* cited by examiner

*Primary Examiner*—Stacia Cadmus

(74) *Attorney, Agent, or Firm*—Rutan & Tucker, LLP.

(57) **CLAIM**

The ornamental design of a wheel shield, as substantially shown and described.

**DESCRIPTION**

FIG. 1 is a perspective view of a wheel shield showing my new design;

FIG. 2 is a rear view thereof;

FIG. 3 is a side view thereof;

FIG. 4 is a front view thereof;

FIG. 5 is a cross sectional view taken along lines 5—5 in FIG. 4; and,

FIG. 6 is an enlarged view of the surface of the wheel shield as indicated by the area designated in FIG. 1.

The surface treatment randomly applied on the wheel shield in FIGS. 1-5 is understood to repeat uniformly throughout the surface on which it is applied.

The broken line showing of environment is for illustrative purposes only and forms no part of the claimed design.

**1 Claim, 3 Drawing Sheets**

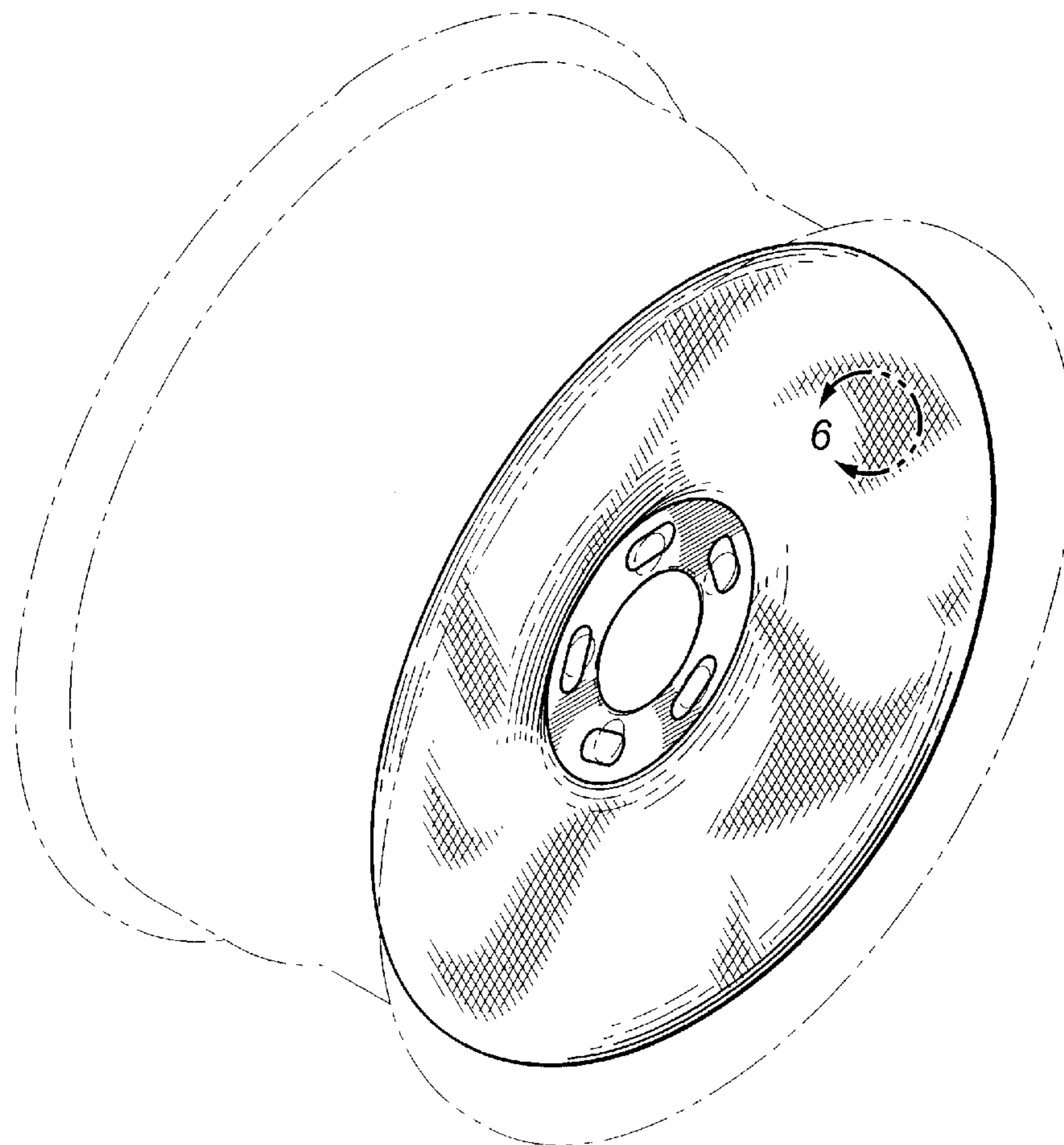


FIG. 1

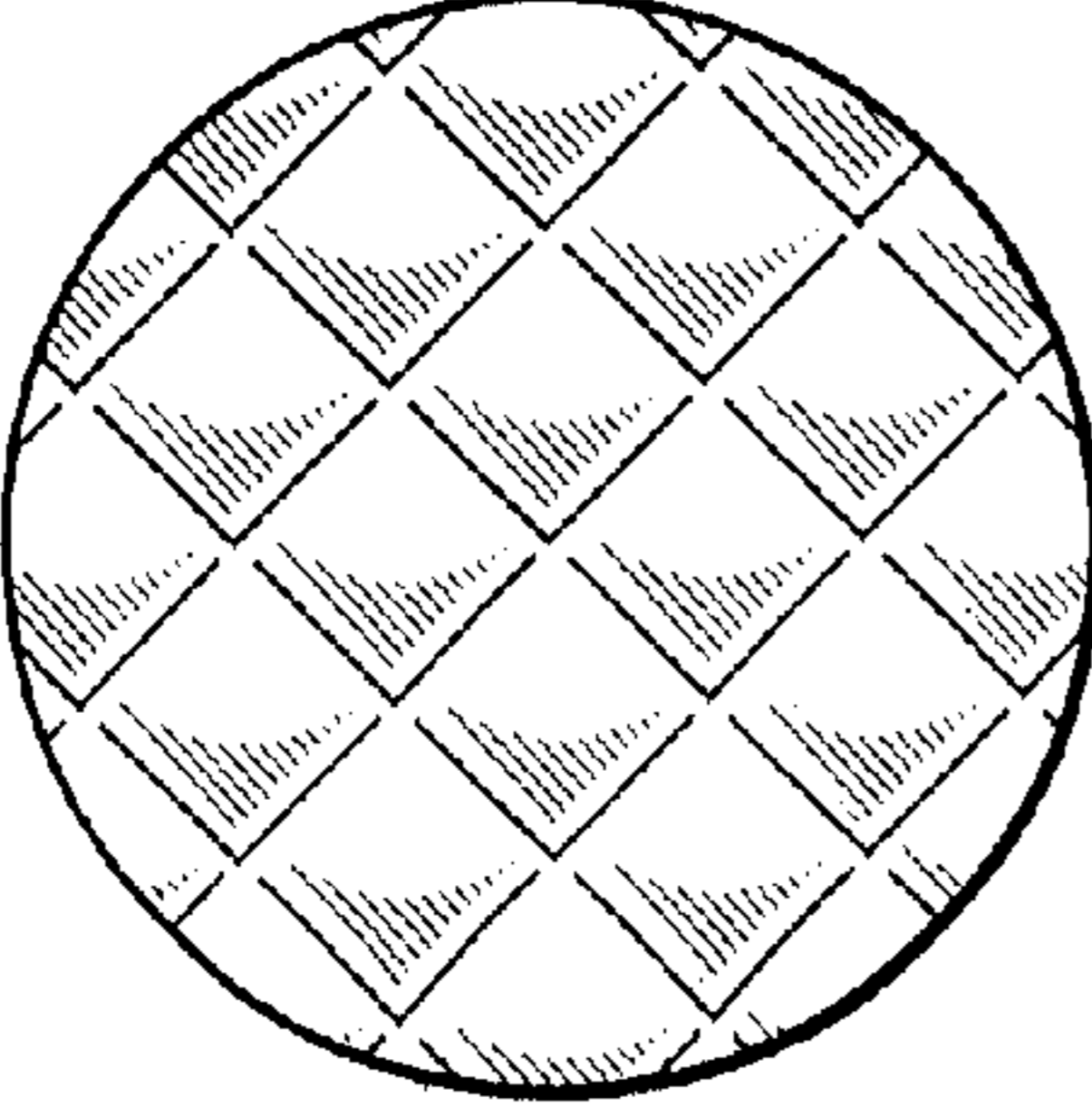
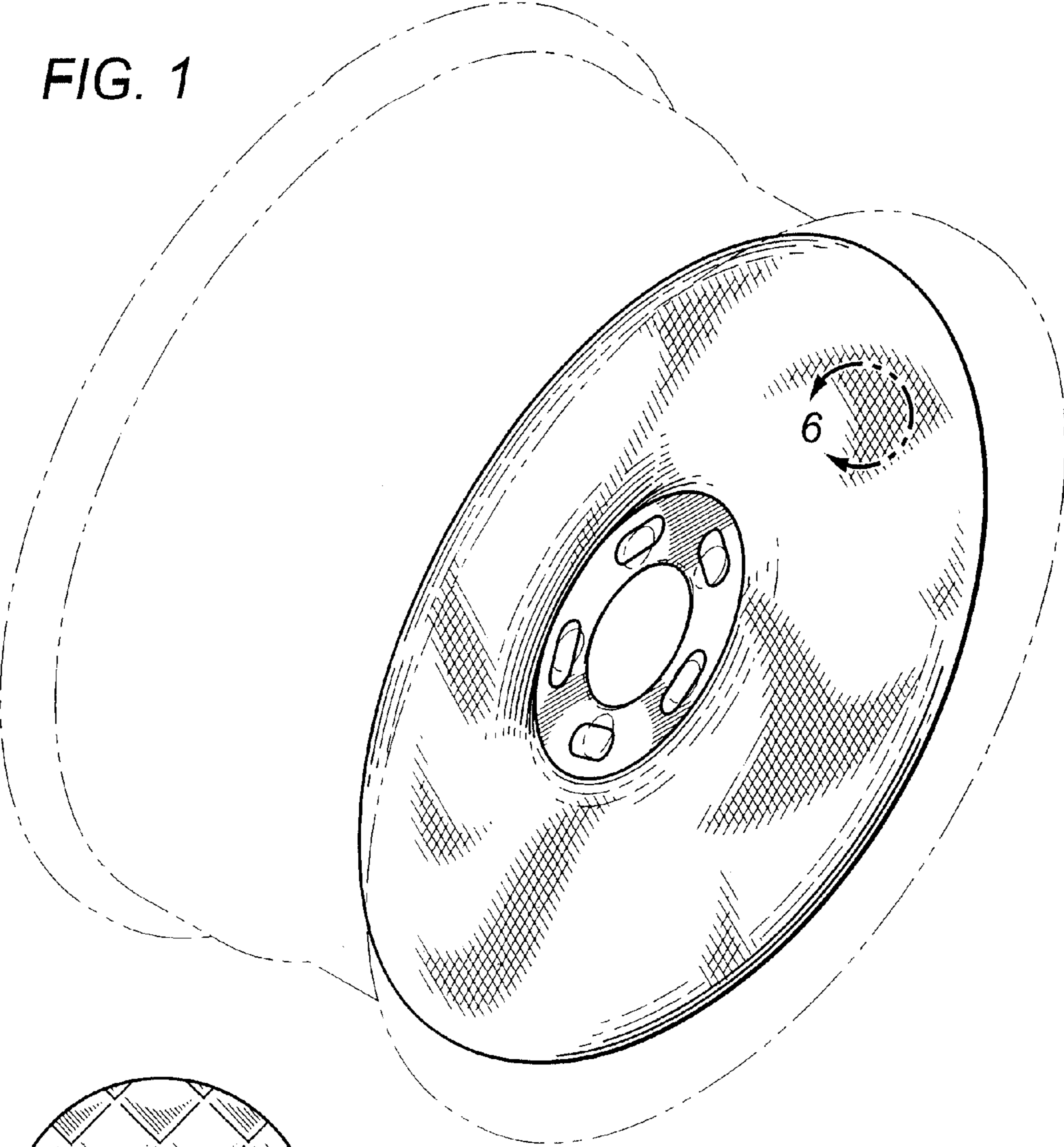


FIG. 6

FIG. 2

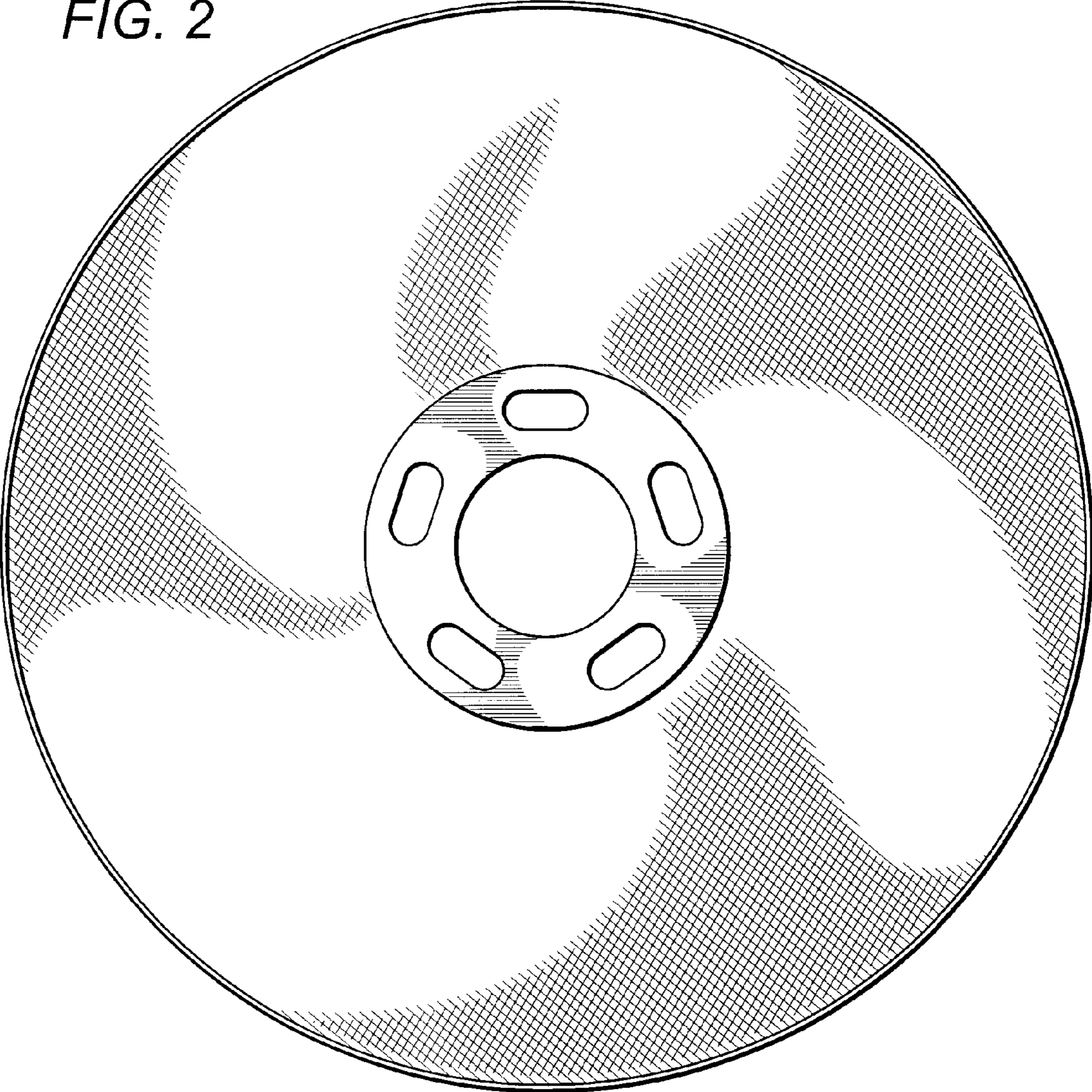


FIG. 3

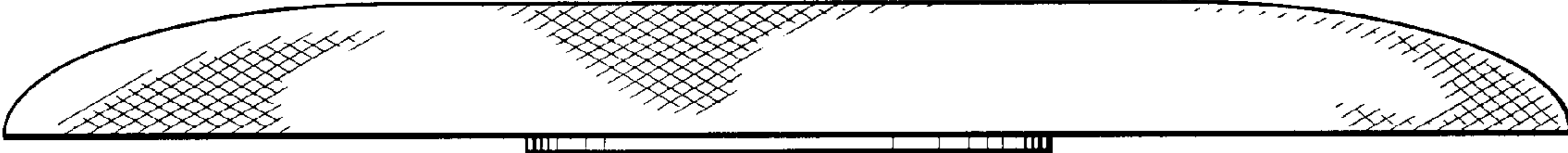


FIG. 4

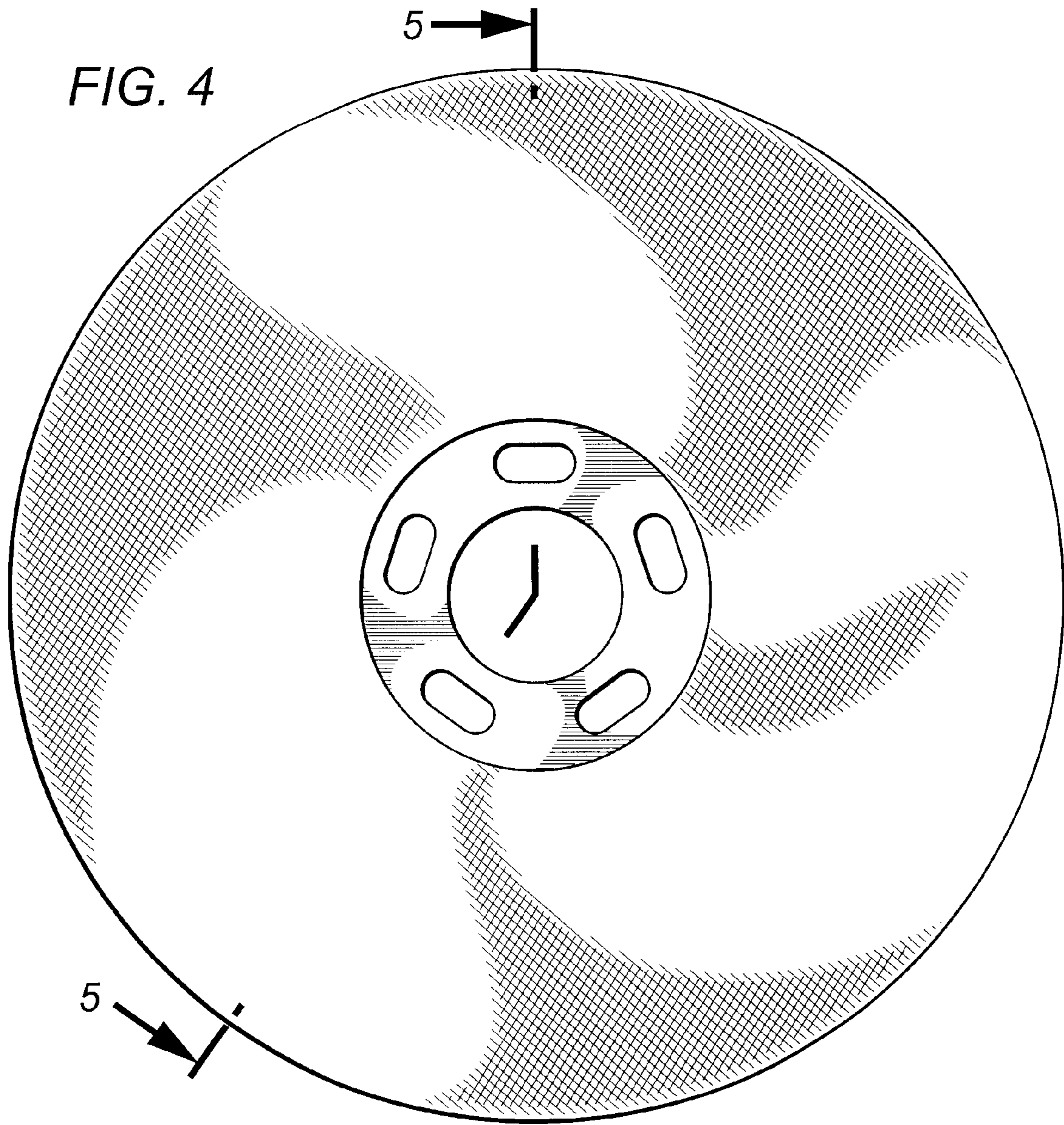


FIG. 5

