



US00D510893S

(12) **United States Design Patent**
Chen

(10) **Patent No.:** **US D510,893 S**

(45) **Date of Patent:** **** Oct. 25, 2005**

(54) **ELECTRIC SCOOTER**

(76) **Inventor:** **Yung Cheng Chen**, No. 7, Lane 398,
Hung Chang 12th St., Chung Shan, Tao
Yuan City (TW)

(**) **Term:** **14 Years**

(21) **Appl. No.:** **29/220,158**

(22) **Filed:** **Dec. 28, 2004**

(30) **Foreign Application Priority Data**

Oct. 26, 2004 (TW) 933006284

(51) **LOC (8) Cl.** **12-12**

(52) **U.S. Cl.** **D12/128**

(58) **Field of Search** D12/128-133;
280/250.1, 304.1; 180/6.5, 65.1, 907, 908;
297/DIG. 4

(56) **References Cited**

U.S. PATENT DOCUMENTS

D403,279 S * 12/1998 Wu D12/128

D444,421 S * 7/2001 Cheng D12/128
D460,028 S * 7/2002 Wu et al. D12/128
D479,496 S * 9/2003 Tsai et al. D12/128
D488,409 S * 4/2004 Tsai D12/128

* cited by examiner

Primary Examiner—Marcus A. Jackson

(74) *Attorney, Agent, or Firm*—Egbert Law Offices

(57) **CLAIM**

I claim the ornamental design for an electric scooter, as shown and described.

DESCRIPTION

FIG. 1 is an upper perspective view of the electric scooter showing my design.

FIG. 2 is a front view thereof;

FIG. 3 is a back view thereof;

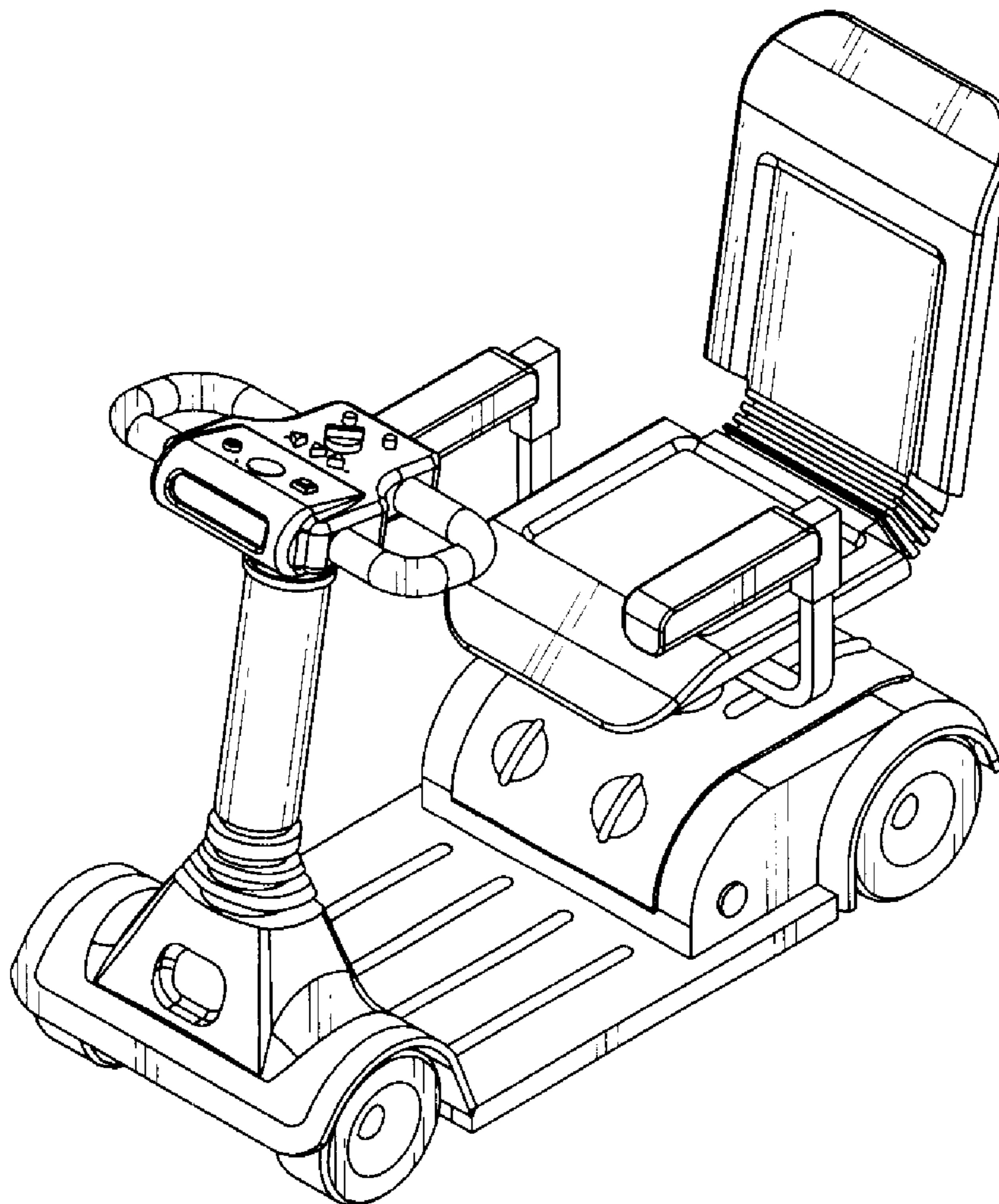
FIG. 4 is a side view thereof;

FIG. 5 is an opposite side view thereof;

FIG. 6 is a top plan view thereof; and,

FIG. 7 is a bottom view thereof.

1 Claim, 4 Drawing Sheets



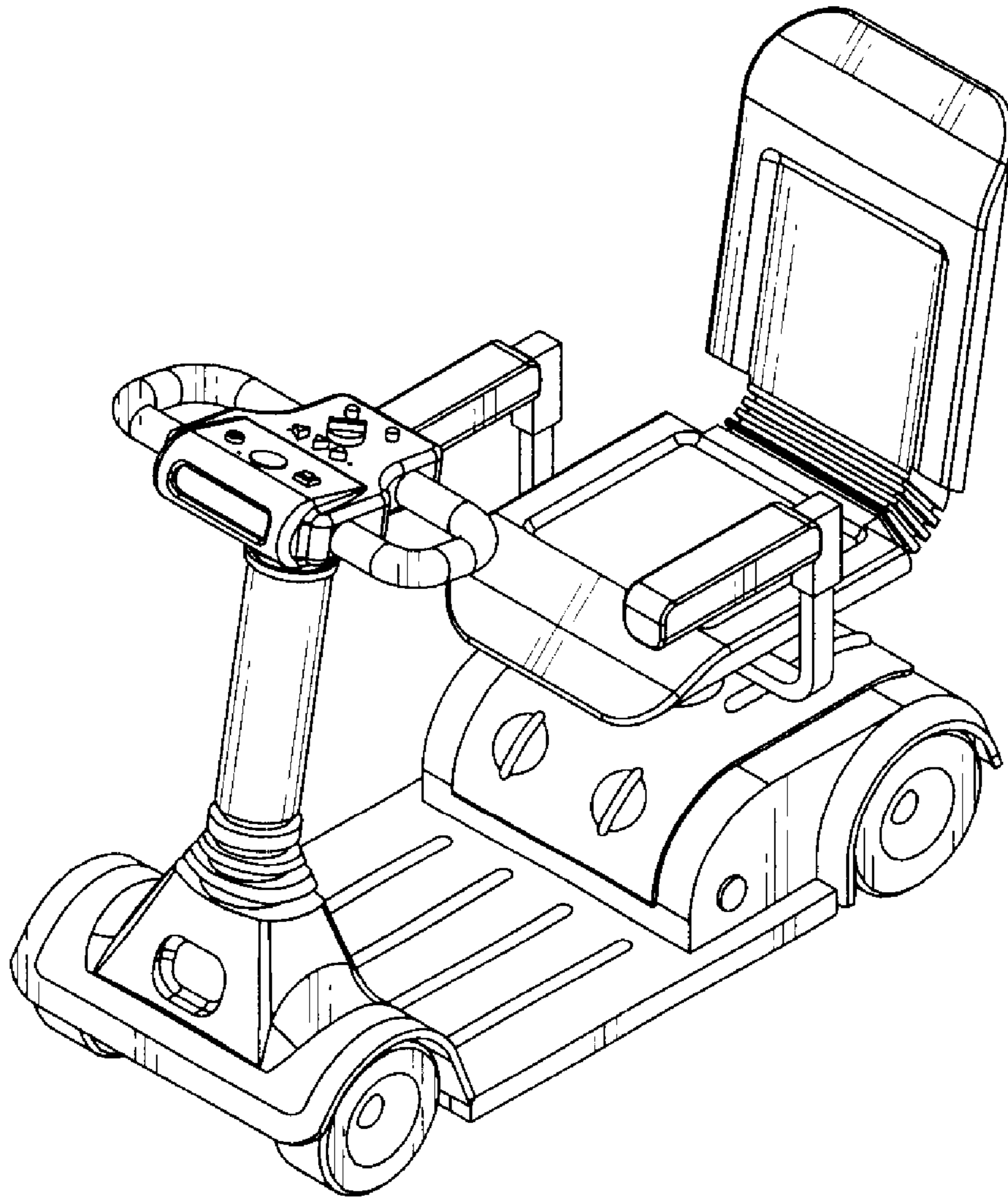


FIG. 1

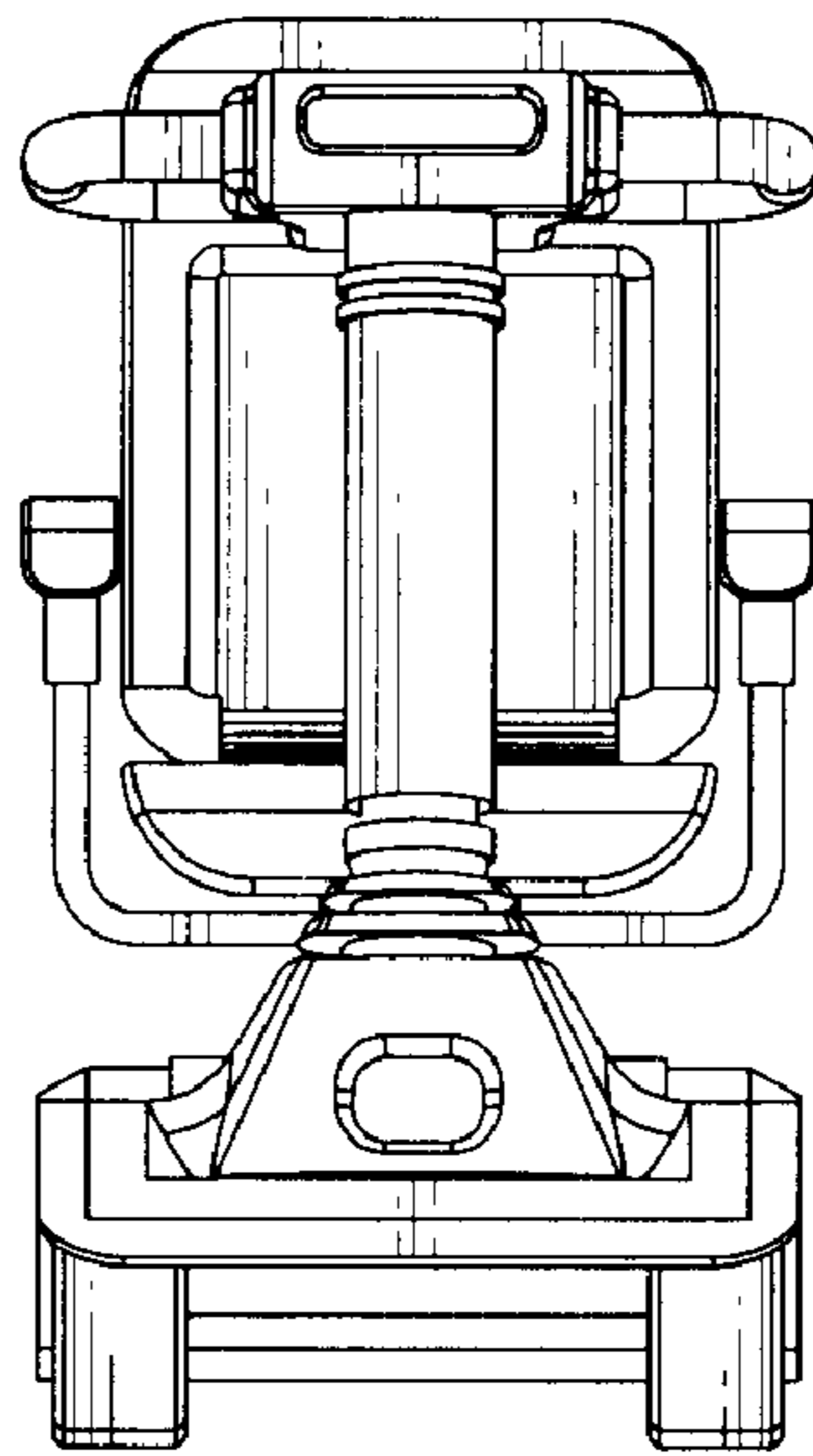


FIG. 2

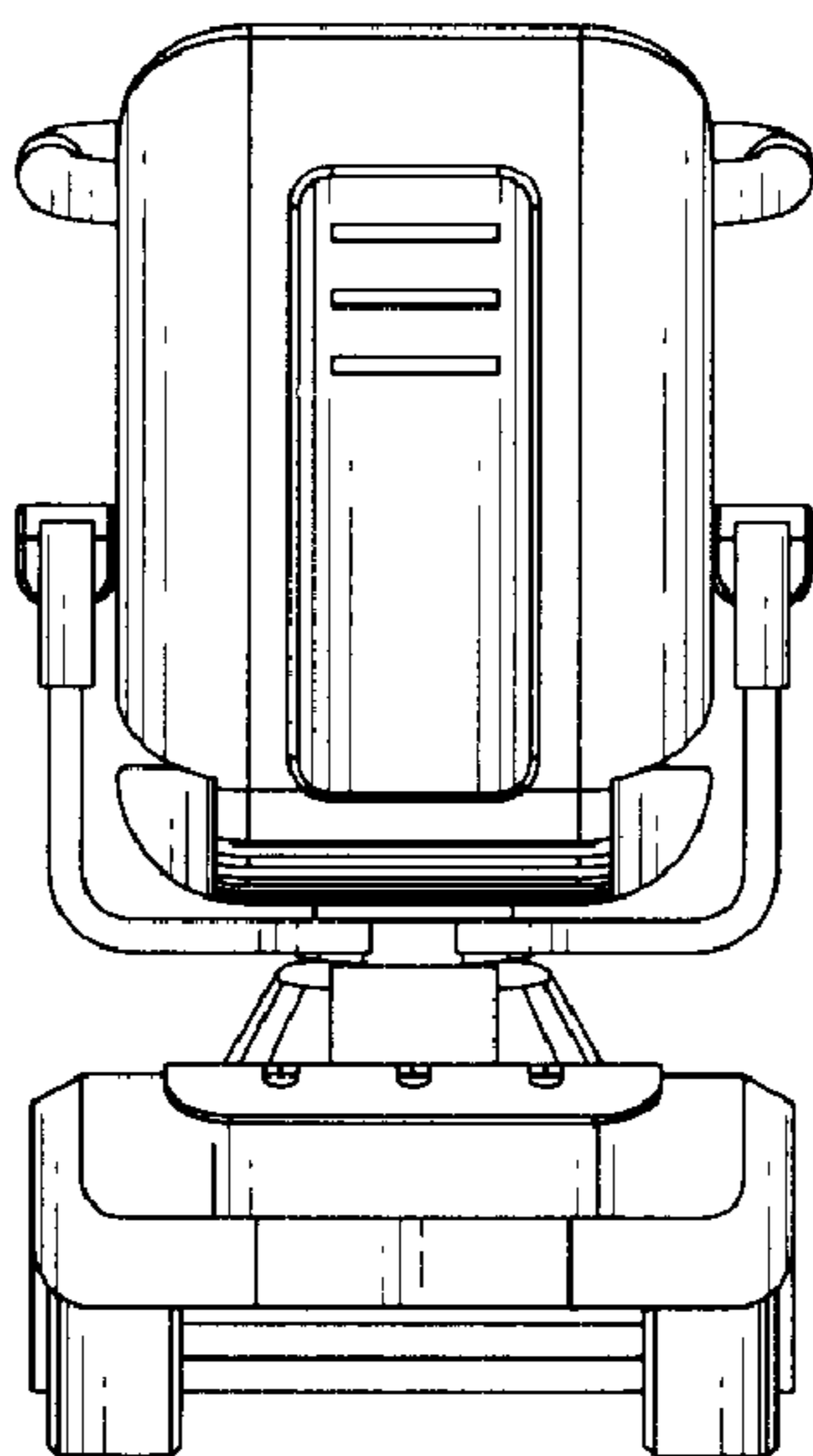


FIG. 3

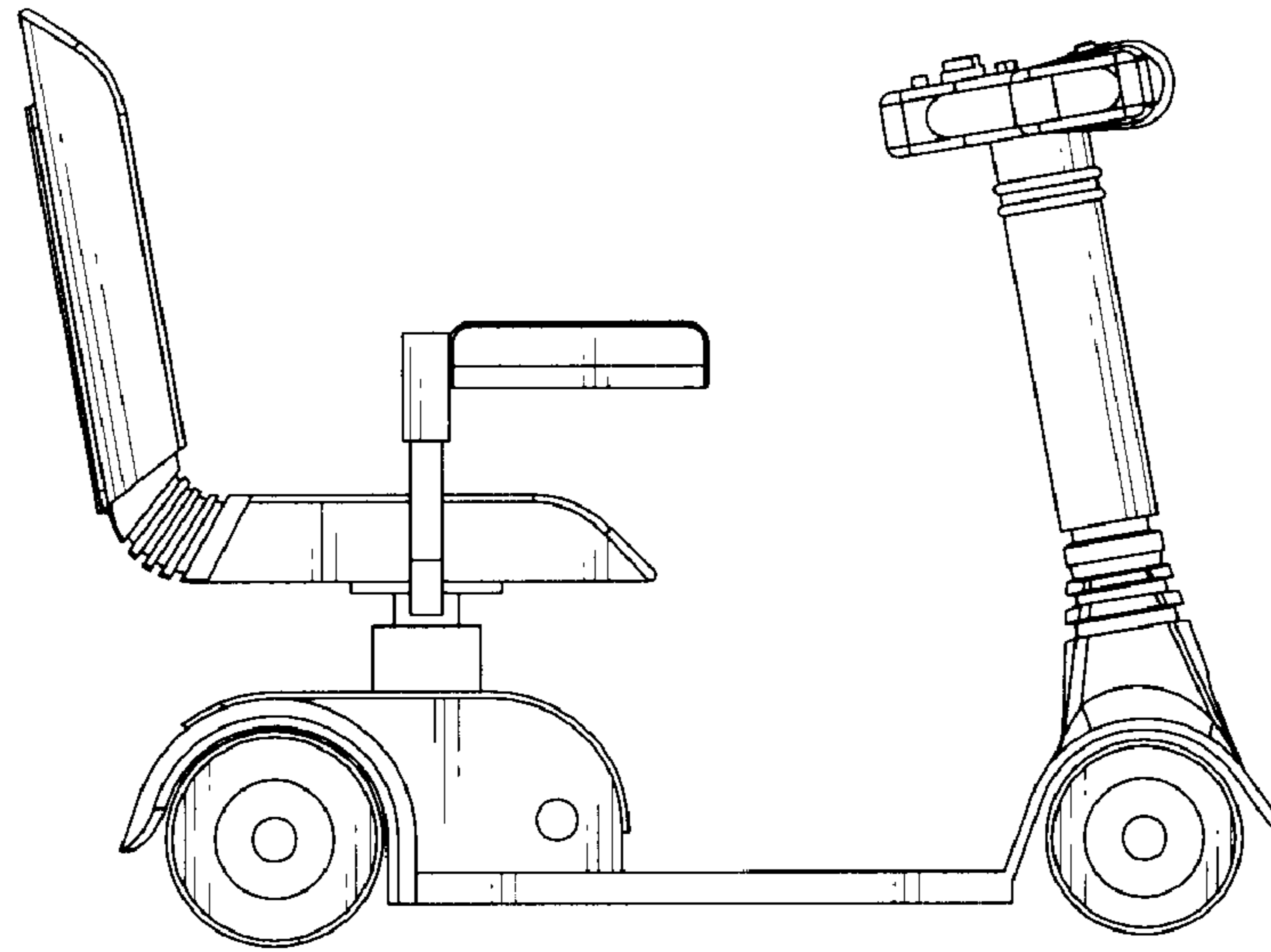


FIG. 4

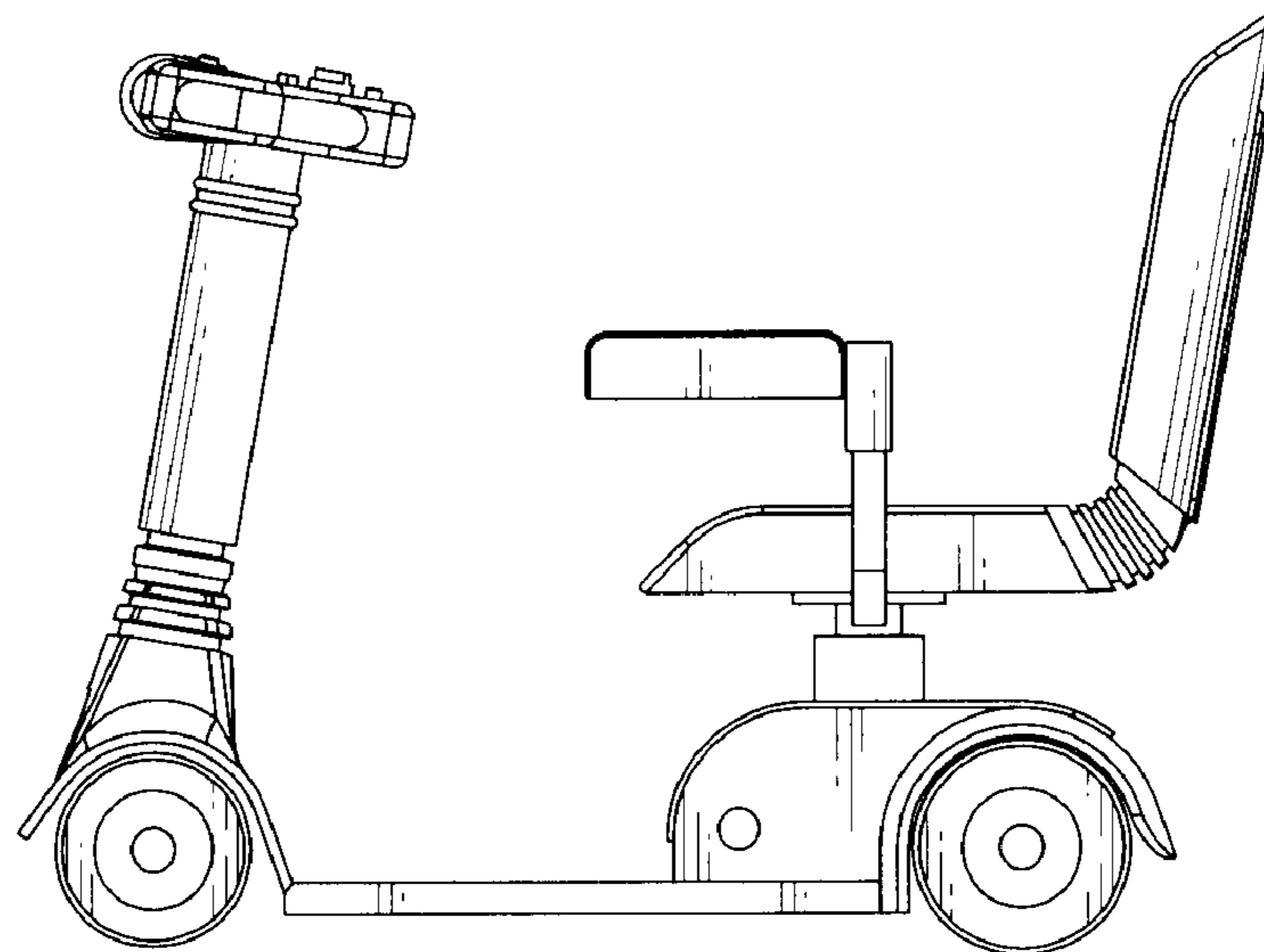


FIG. 5

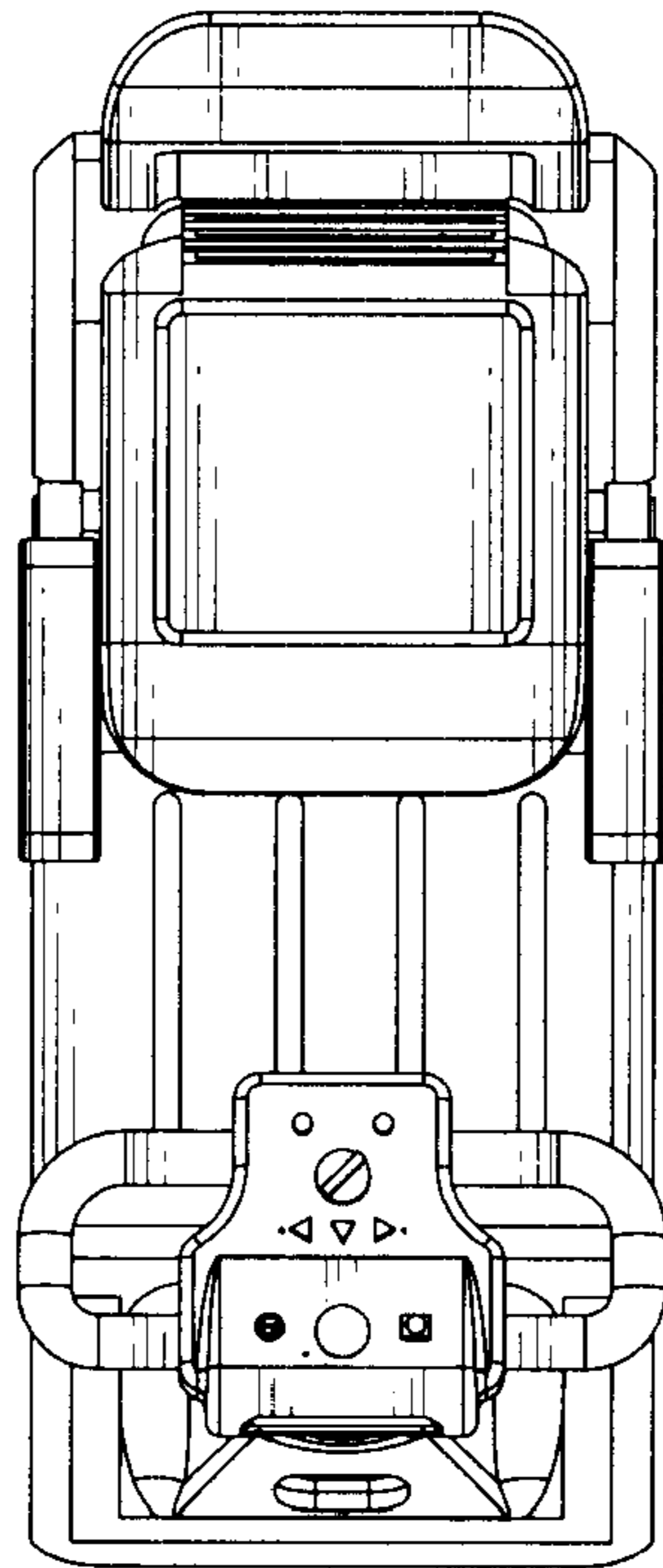


FIG. 6

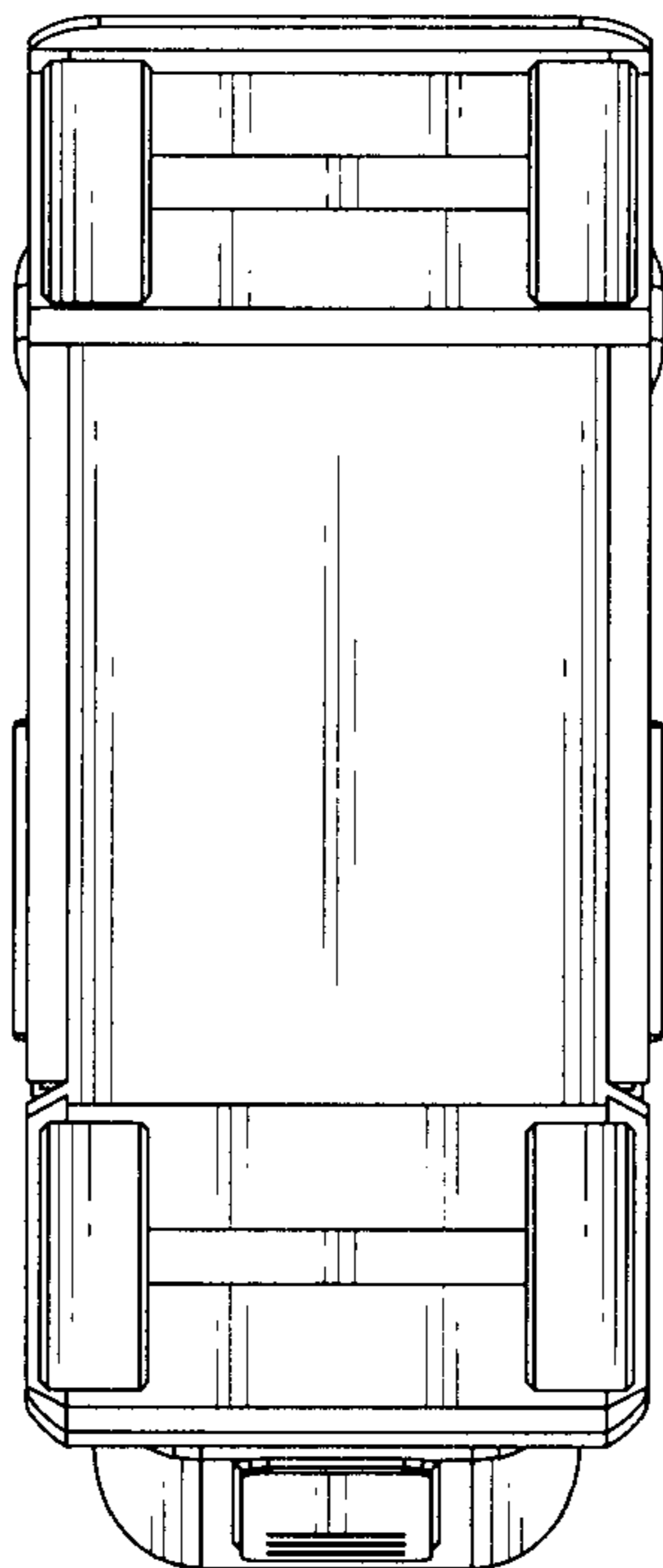


FIG. 7