



US00D510891S

(12) **United States Design Patent** (10) **Patent No.:** **US D510,891 S**  
**Cheng** (45) **Date of Patent:** **\*\* Oct. 25, 2005**

(54) **STOP DEVICE FOR A TWO-WAY INVISIBLE ZIPPER**

(75) Inventor: **Jung-Yuan Cheng**, Taipei Hsien (TW)

(73) Assignee: **Unitech Zipper and Machinery Co., Ltd.**, Taipei Hsien (TW)

(\*\*) Term: **14 Years**

(21) Appl. No.: **29/217,225**

(22) Filed: **Nov. 16, 2004**

(51) **LOC (8) Cl.** ..... **02-07**

(52) **U.S. Cl.** ..... **D11/221**

(58) **Field of Search** ..... D11/200, 201, D11/221; 24/415-417, 419, 421, 427-431, 381-382, 385, 387, 433-436; 384/64

(56) **References Cited**

**U.S. PATENT DOCUMENTS**

4,587,694	A	*	5/1986	Asahi et al.	.....	24/435
5,007,145	A	*	4/1991	Kim	.....	24/433
5,638,585	A	*	6/1997	Mizuno	.....	24/433
6,112,376	A	*	9/2000	Akashi et al.	.....	24/433
6,195,852	B1	*	3/2001	Kusayama	.....	24/434
D475,655	S	*	6/2003	Savici, Sr.	.....	D11/221
6,704,975	B2	*	3/2004	Matsumoto et al.	.....	24/434

\* cited by examiner

*Primary Examiner*—Ralf Seifert  
(74) *Attorney, Agent, or Firm*—Birch, Stewart, Kolasch & Birch, LLP

(57) **CLAIM**

The ornamental design for stop device for a two-way invisible zipper, as shown in the accompanying drawings.

**DESCRIPTION**

FIG. 1 is a perspective view of the stop device for a two-way invisible zipper in accordance with the embodiment of the claimed design;

FIG. 2 is a right side elevational view thereof;

FIG. 3 is a top plan view thereof;

FIG. 4 is a front elevational view thereof;

FIG. 5 is a bottom plan view thereof;

FIG. 6 is a left side elevational view thereof;

FIG. 7 is a rear elevational view thereof;

FIG. 8 is an exploded perspective view thereof in a first position;

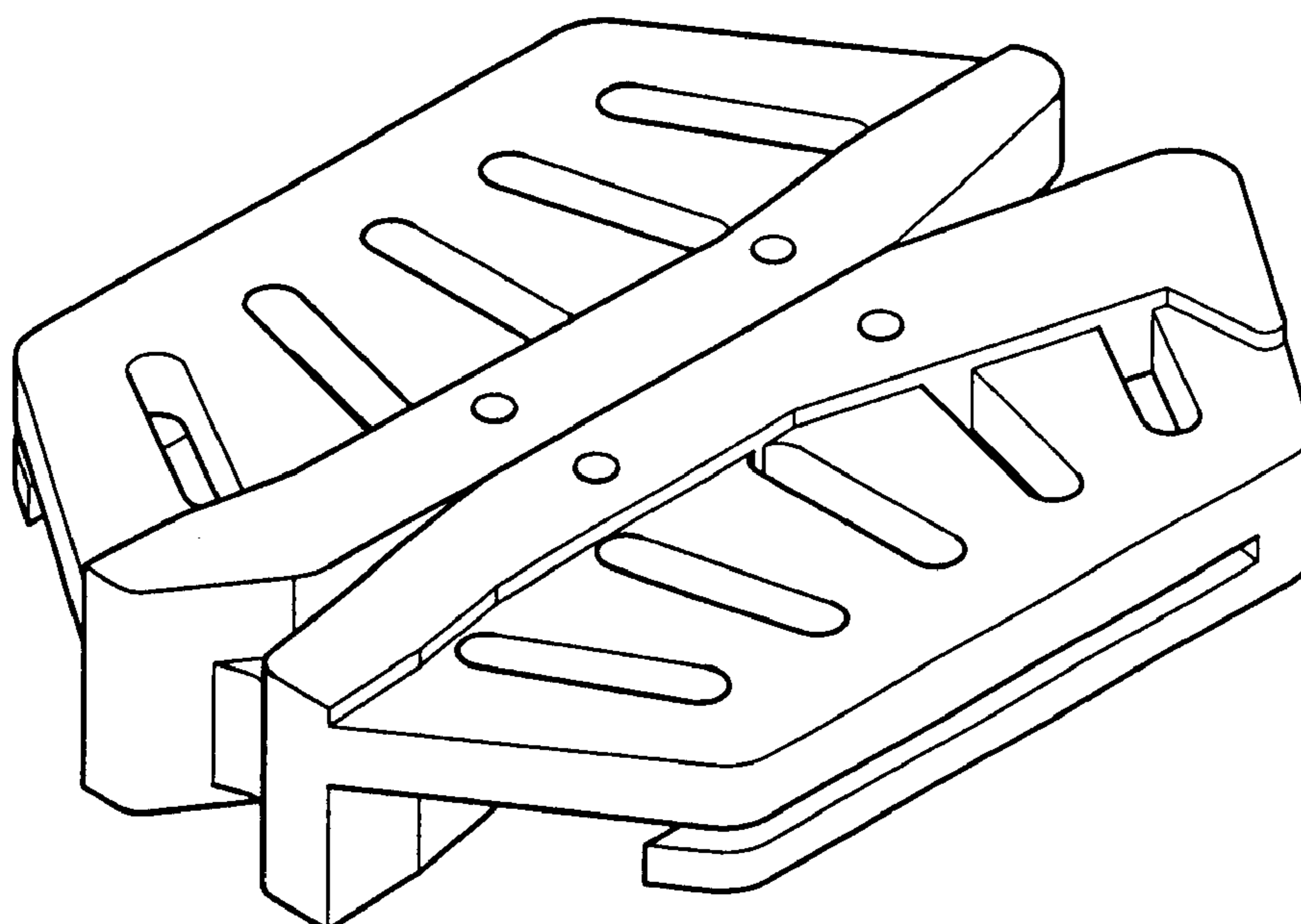
FIG. 9 is an exploded perspective view thereof in a second position;

FIG. 10 is an exploded perspective view thereof applied to a zipper strap; and,

FIG. 11 is a perspective view thereof applied to a zipper.

It being understood that the broken lines in FIGS. 10 and 11 are for illustrative purposes only and form no part of the claimed design.

**1 Claim, 7 Drawing Sheets**



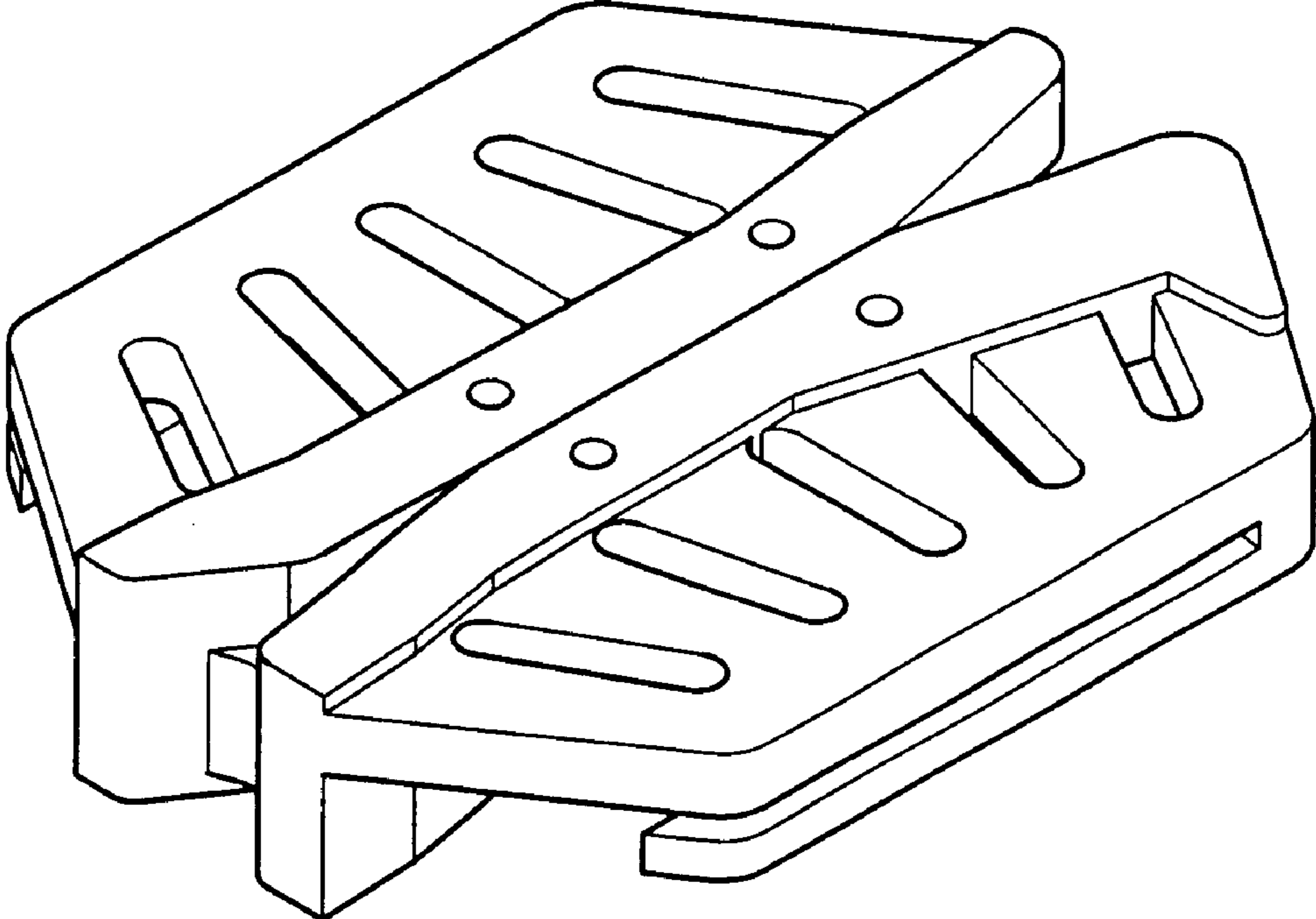


FIG. 1

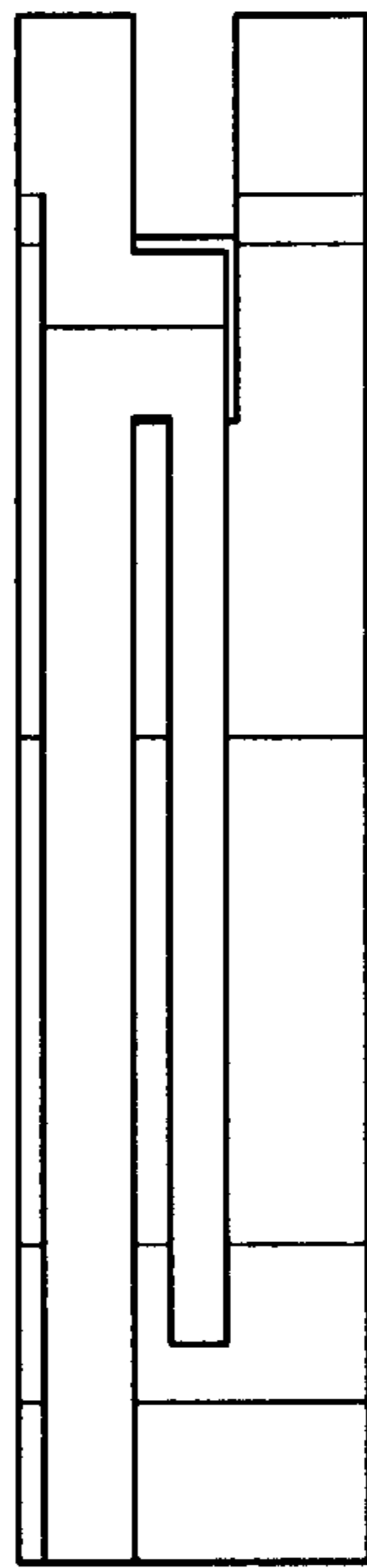


FIG. 2

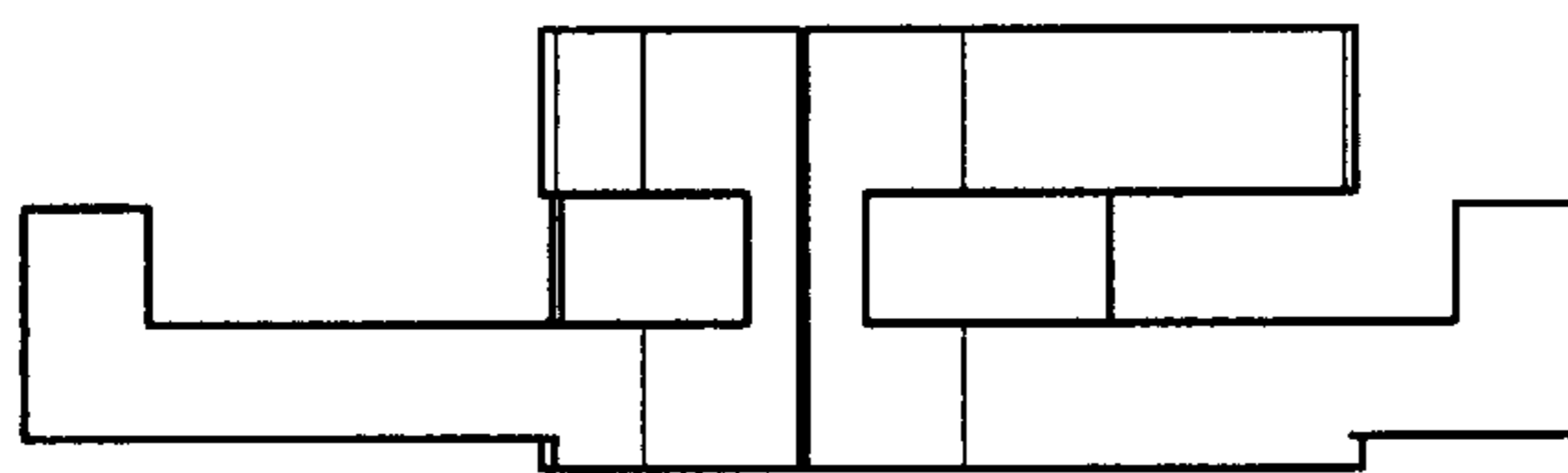


FIG. 3

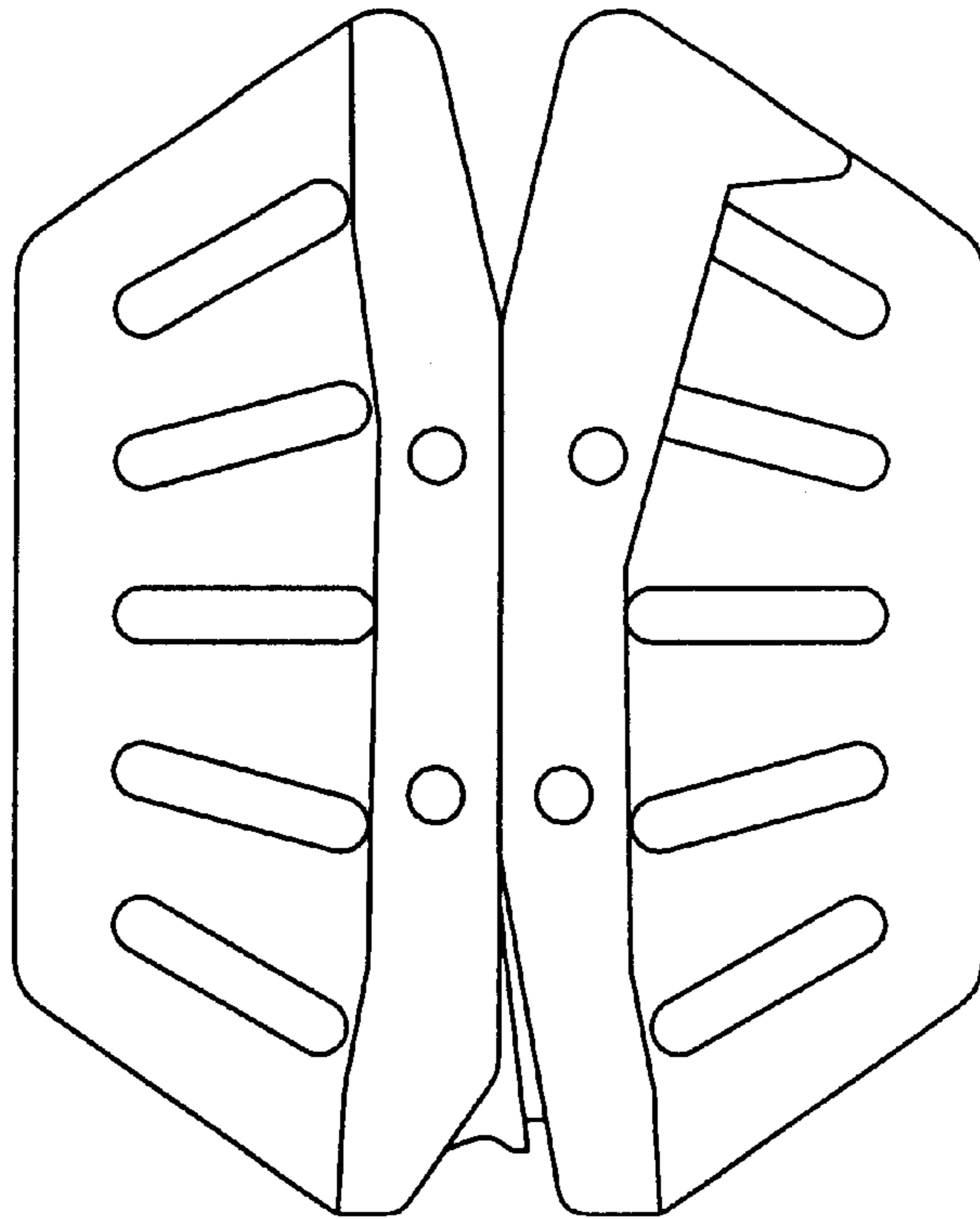


FIG. 4

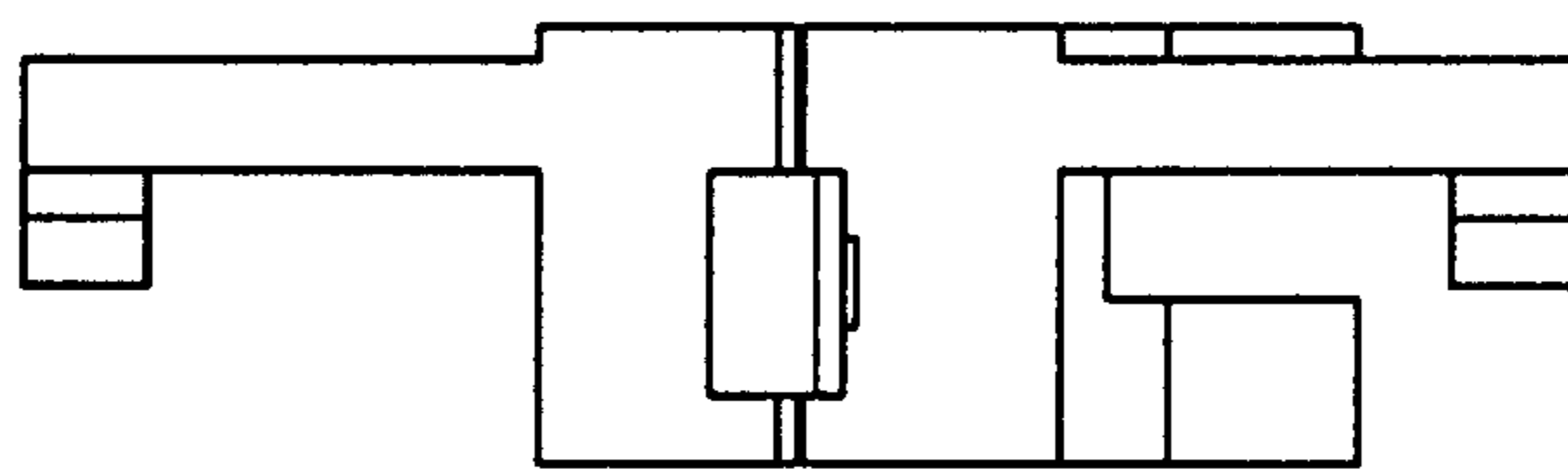


FIG. 5

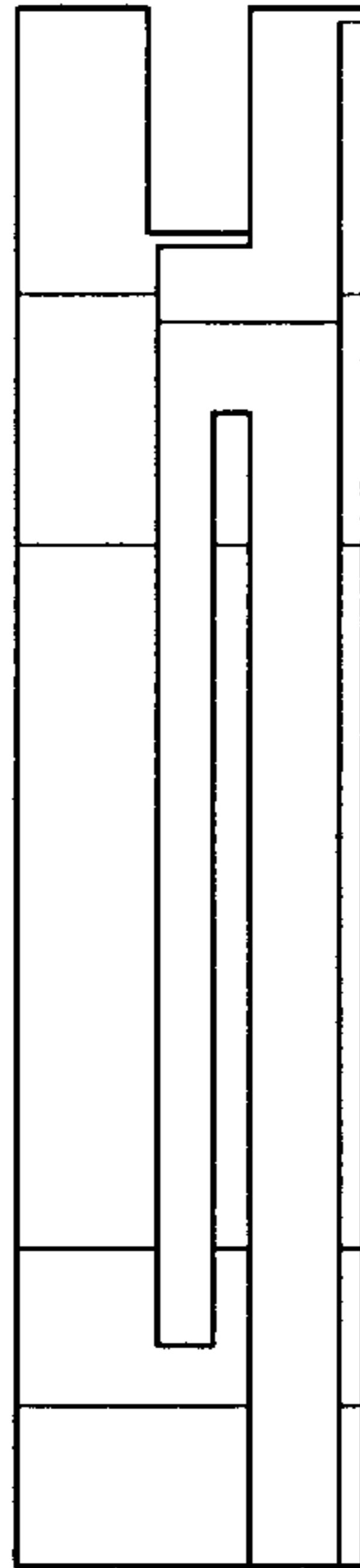


FIG. 6

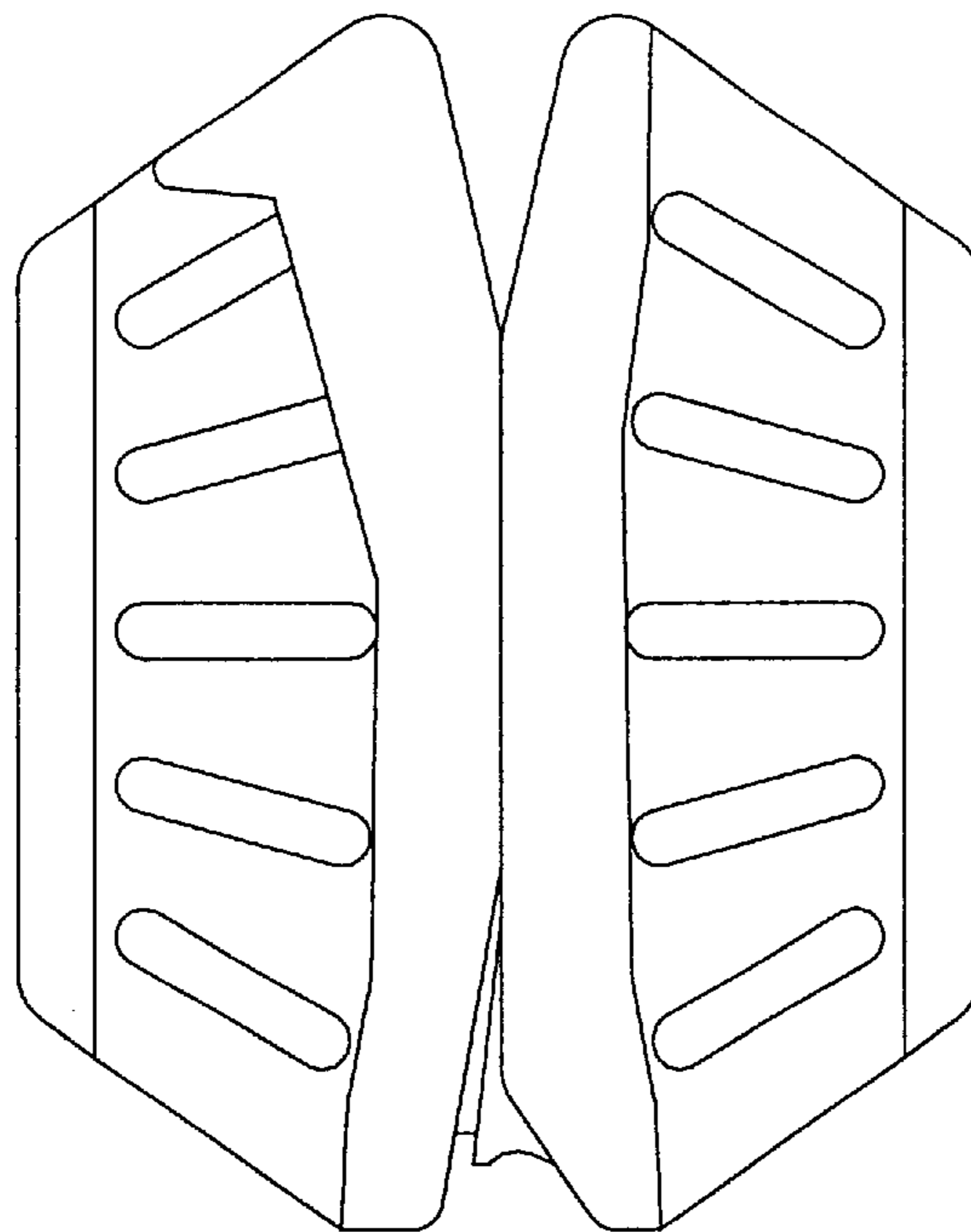


FIG. 7

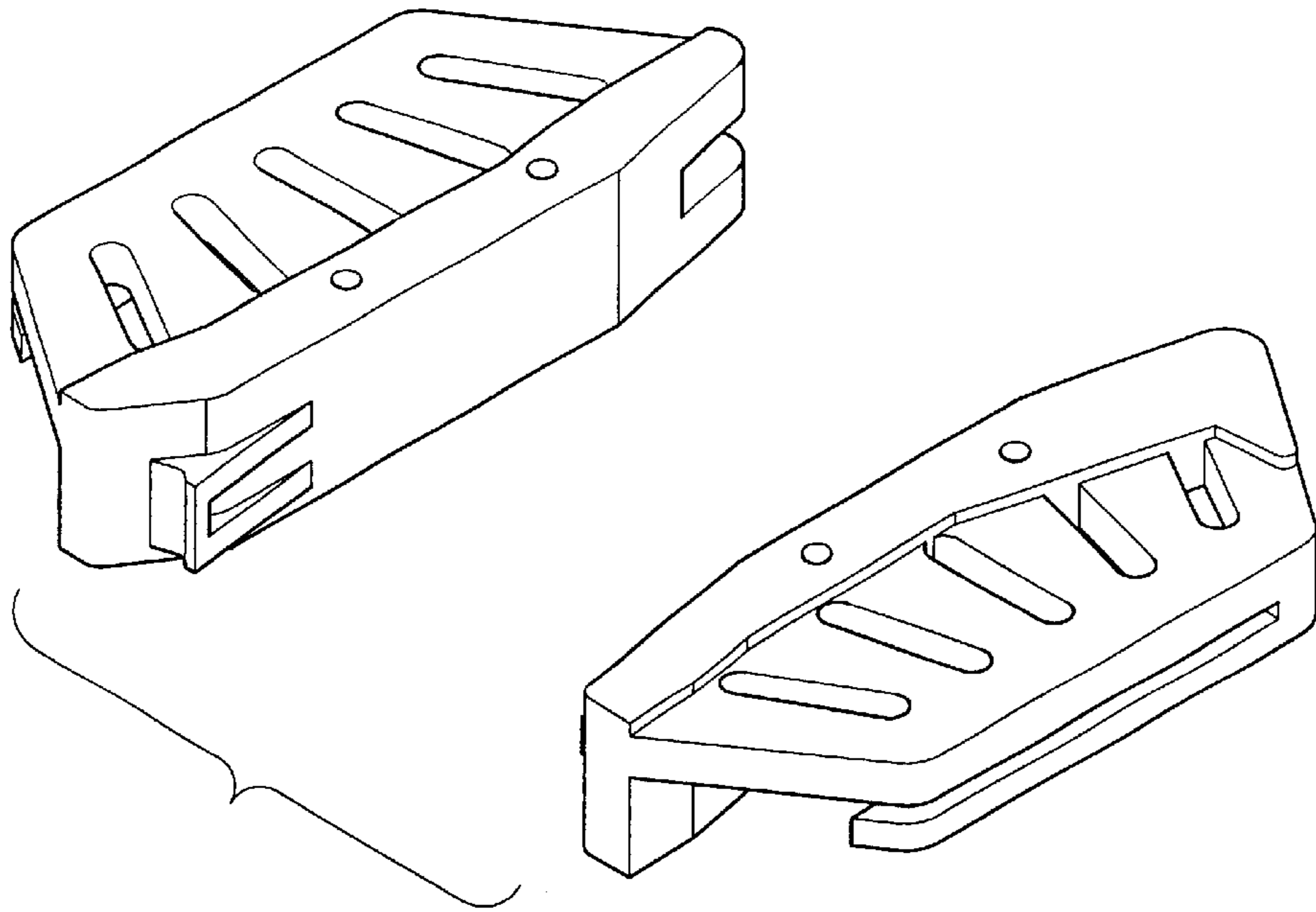


FIG. 8

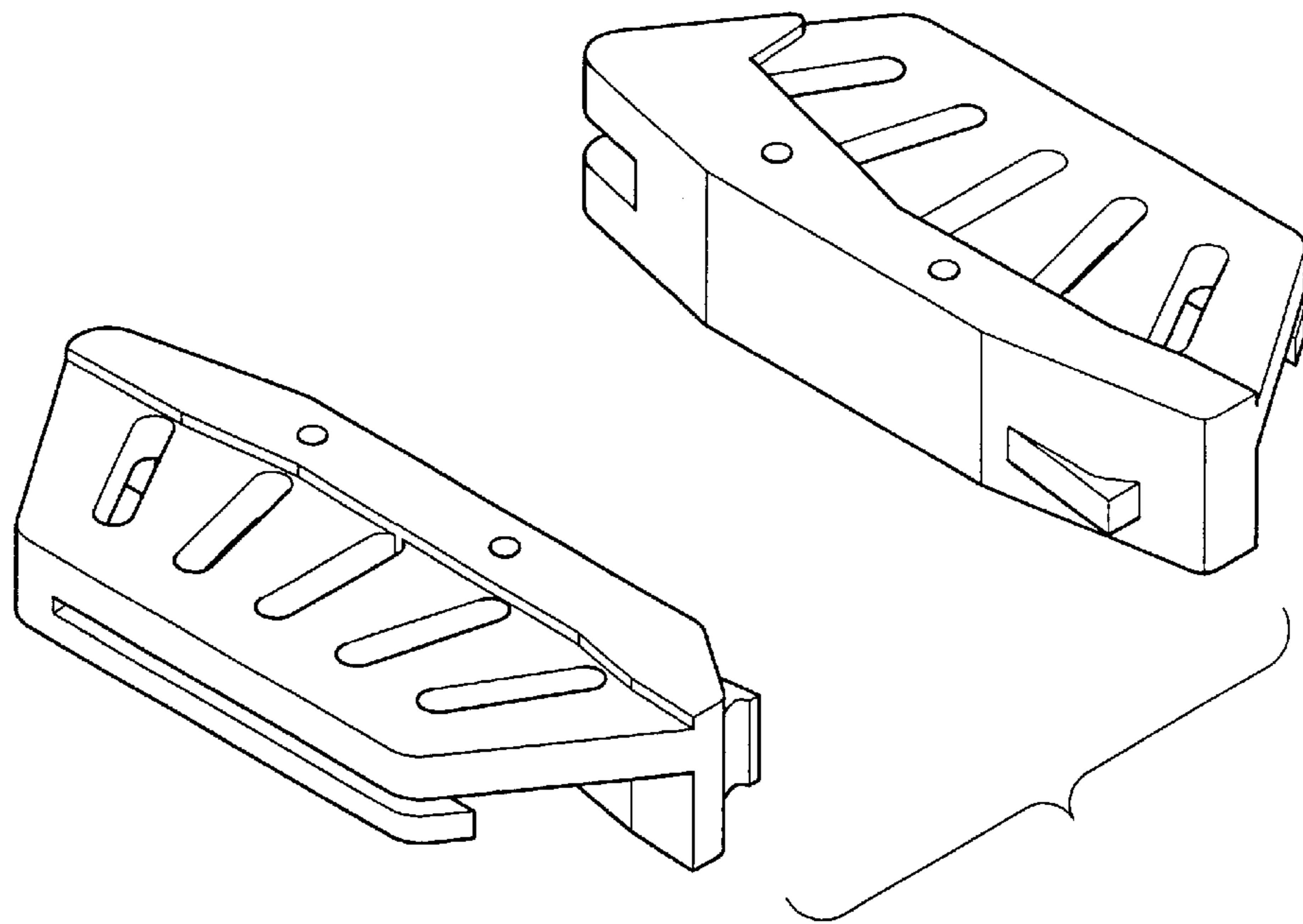


FIG. 9

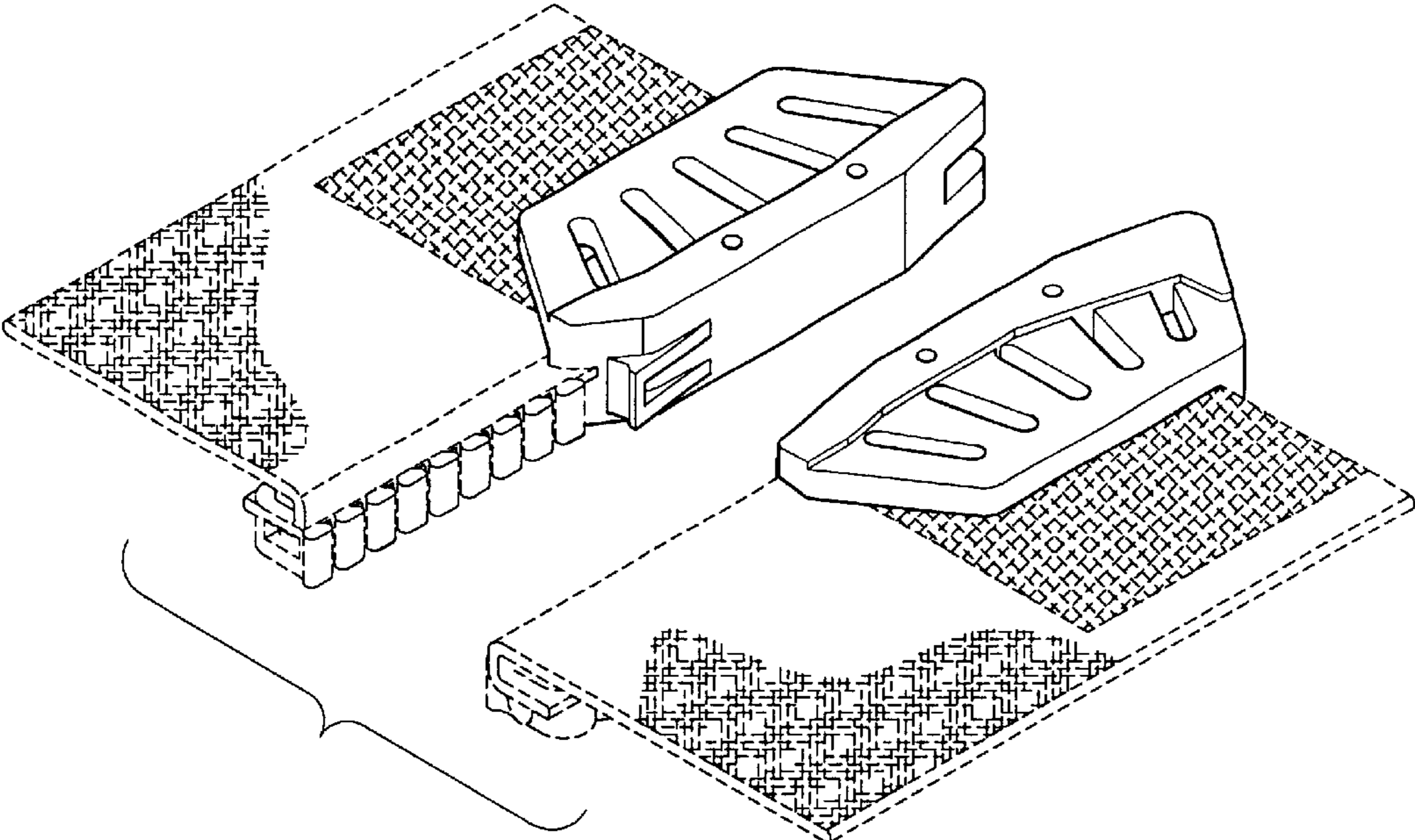


FIG. 10

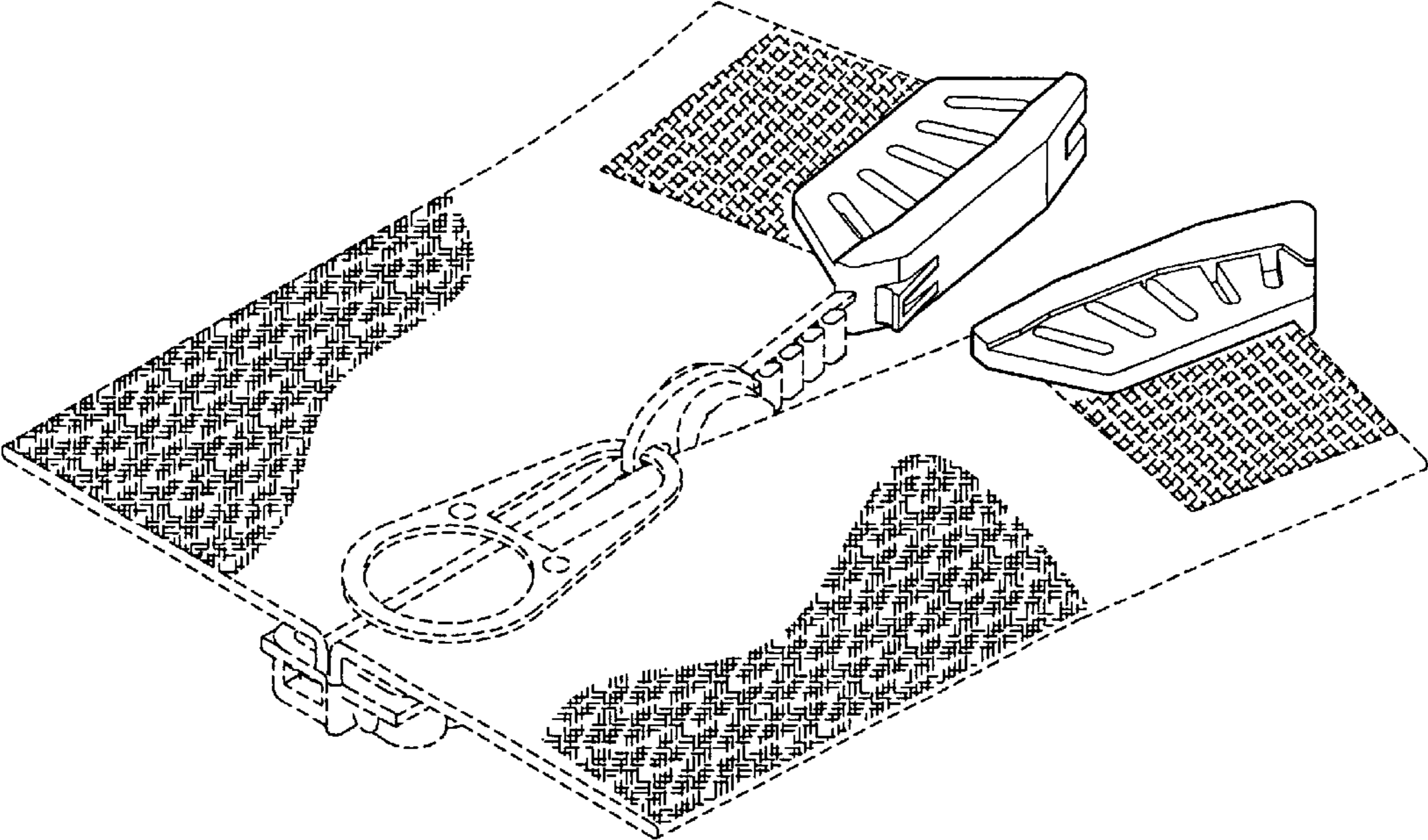


FIG. 11