



US00D510882S

(12) **United States Design Patent**
Buchanan

(10) **Patent No.:** **US D510,882 S**

(45) **Date of Patent:** **** Oct. 25, 2005**

(54) **DIGITAL VOLTAGE INDICATOR**

(75) **Inventor:** **James S. Buchanan**, Northbrook, IL
(US)

(73) **Assignee:** **HD Electric Company**, Waukegan, IL
(US)

(**) **Term:** **14 Years**

(21) **Appl. No.:** **29/224,027**

(22) **Filed:** **Feb. 24, 2005**

(51) **LOC (8) Cl.** **10-04**

(52) **U.S. Cl.** **D10/78**

(58) **Field of Search** D10/78; 324/72.5,
324/133

(56) **References Cited**

U.S. PATENT DOCUMENTS

5,075,620 A * 12/1991 Shaw 324/133
5,136,234 A * 8/1992 Shaw 324/72.5
5,384,532 A * 1/1995 Uhling 324/72.5

D459,255 S * 6/2002 Cochran D10/78
6,459,252 B1 * 10/2002 Bierer 324/72.5
6,470,283 B1 * 10/2002 Edel 324/72.5

* cited by examiner

Primary Examiner—Antoine D. Davis

(74) *Attorney, Agent, or Firm*—Seyfarth Shaw LLP

(57) **CLAIM**

The ornamental design for the digital voltage indicator, as shown and described.

DESCRIPTION

FIG. 1 is a perspective view of the digital voltage indicator showing my new design;
FIG. 2 is a front elevational view thereof;
FIG. 3 is a rear elevational view thereof;
FIG. 4 is a side elevational view of the one side thereof;
FIG. 5 is a side elevational view of the other side thereof
FIG. 6 is a top plan view thereof; and,
FIG. 7 is a bottom plan view thereof.

1 Claim, 3 Drawing Sheets

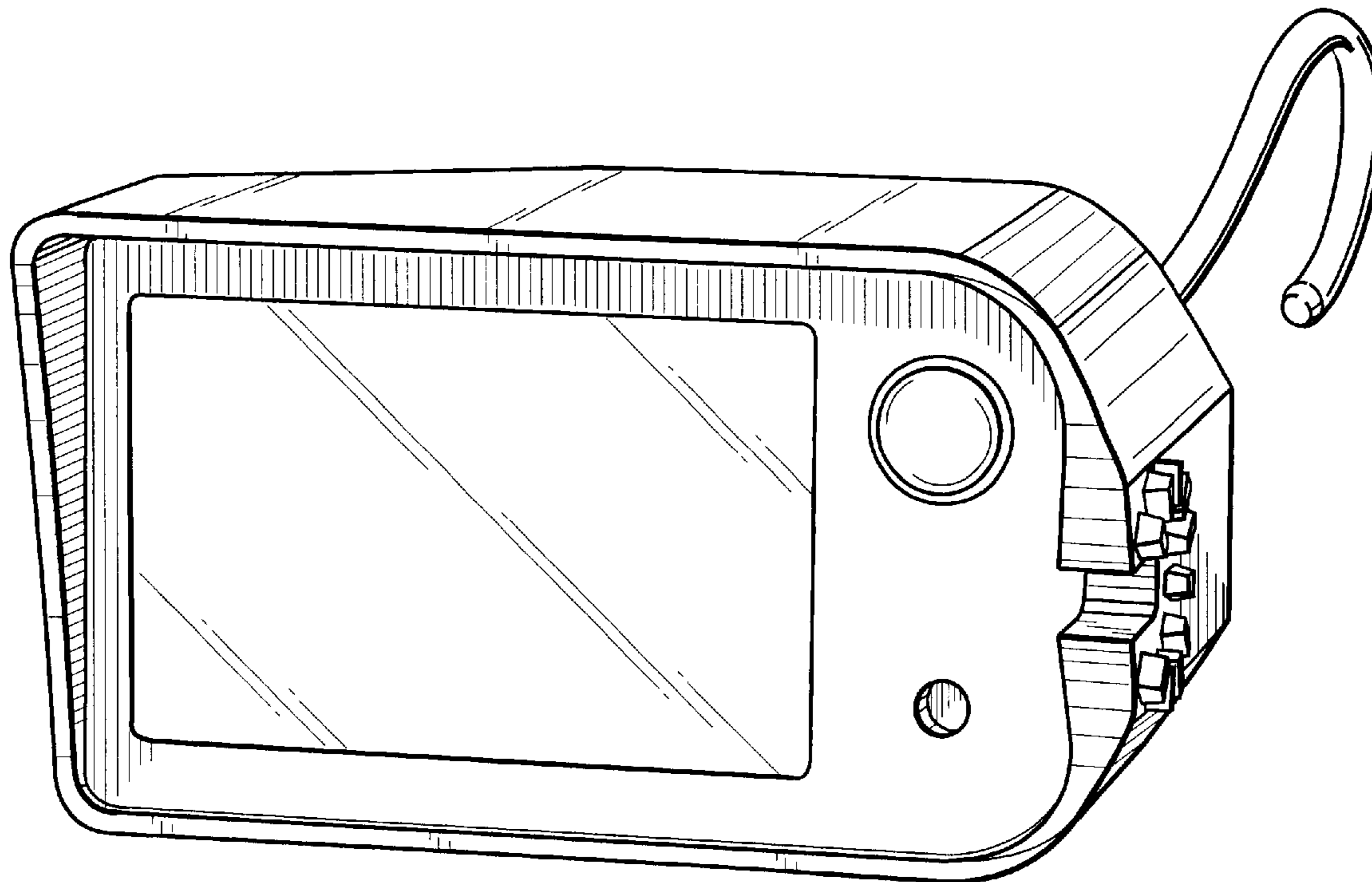


Fig. 1

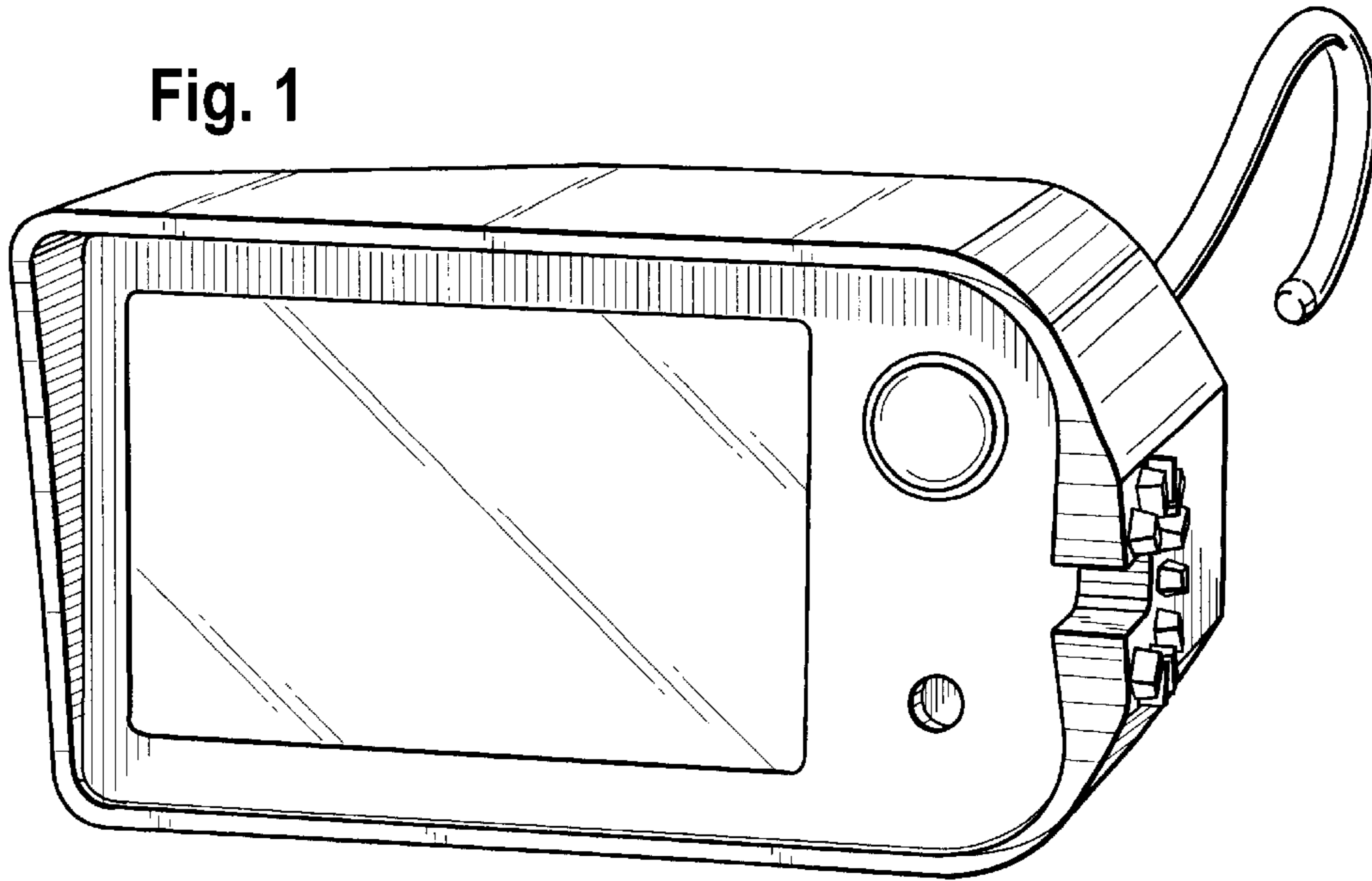


Fig. 2

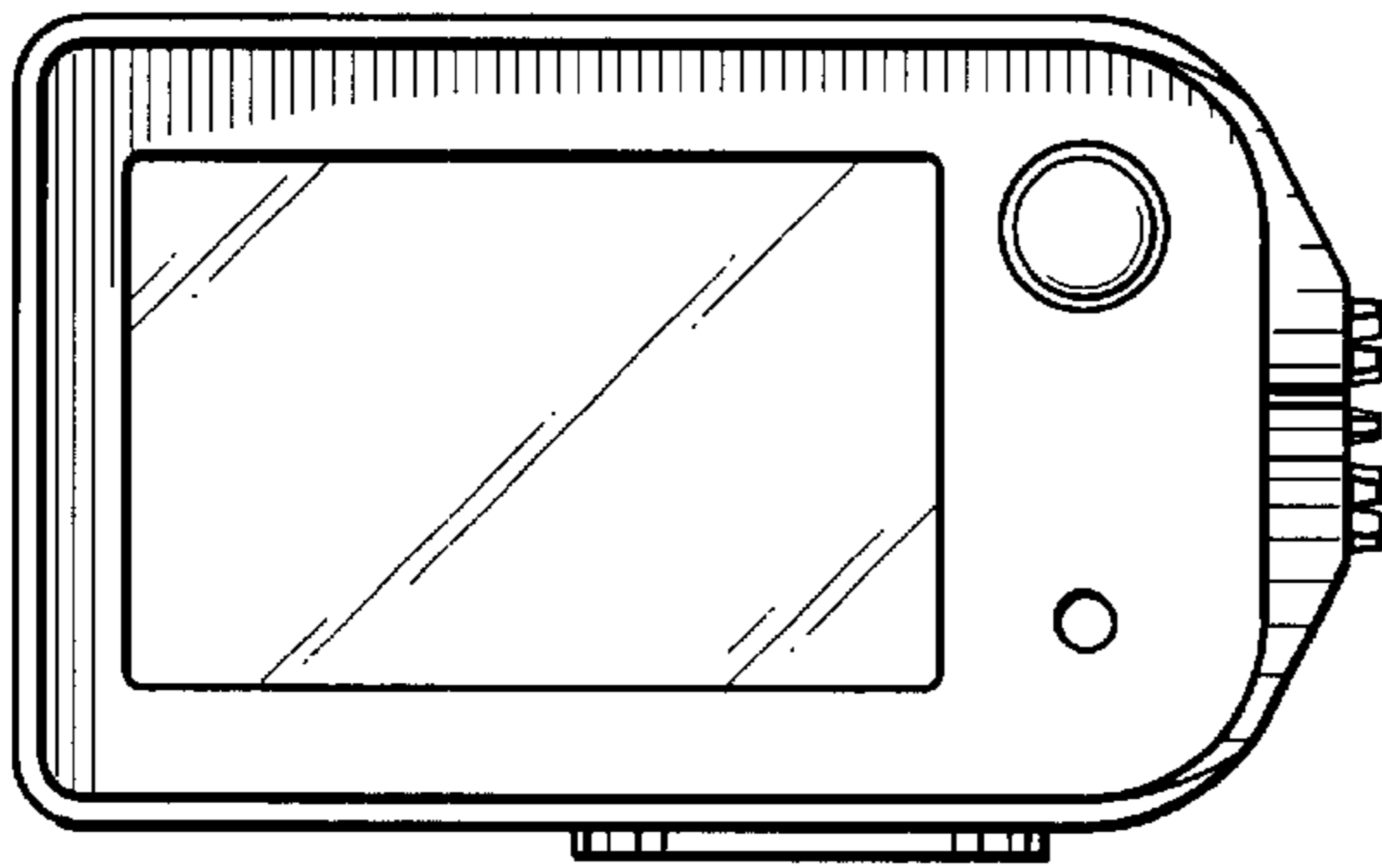


Fig. 3

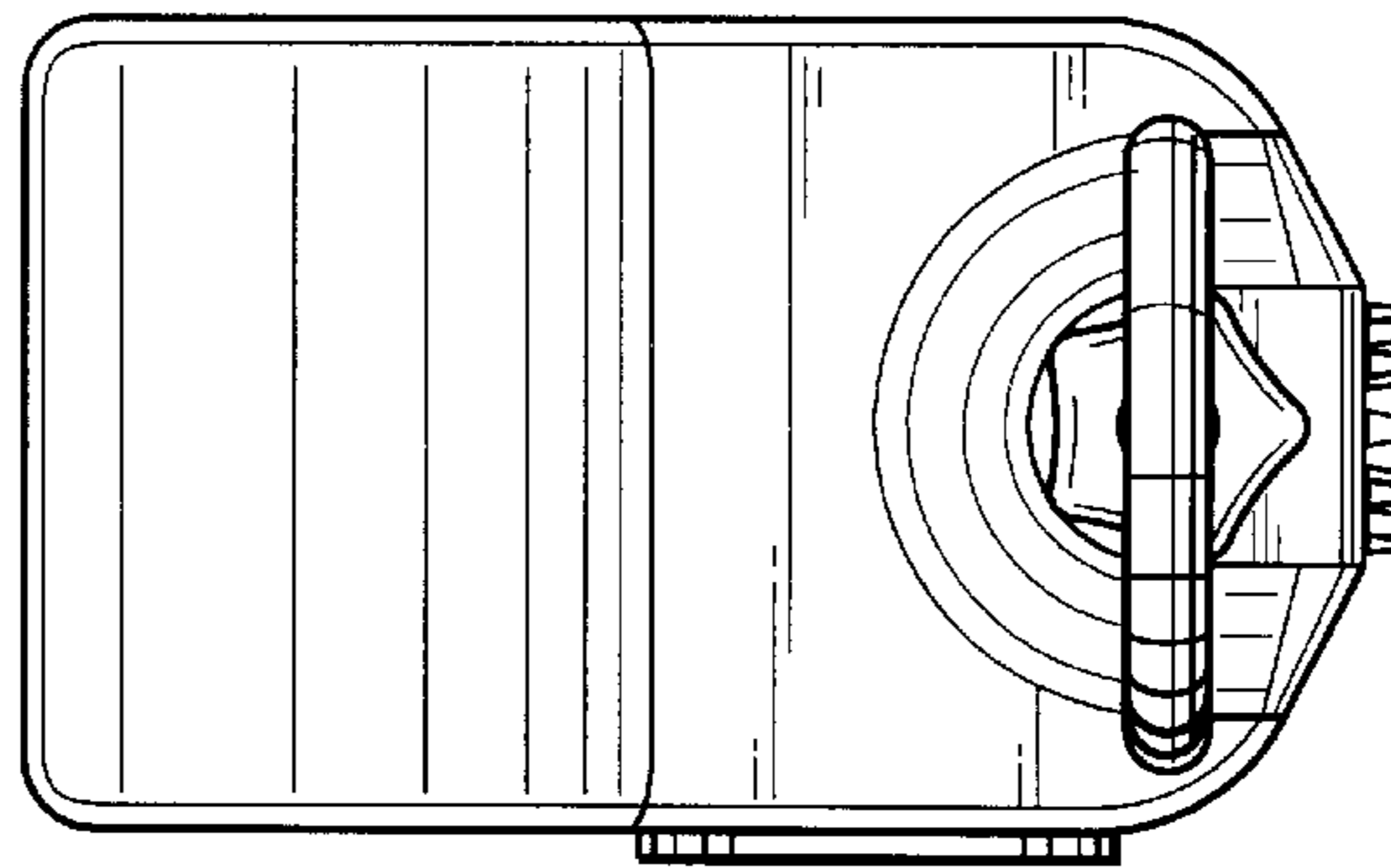


Fig. 4

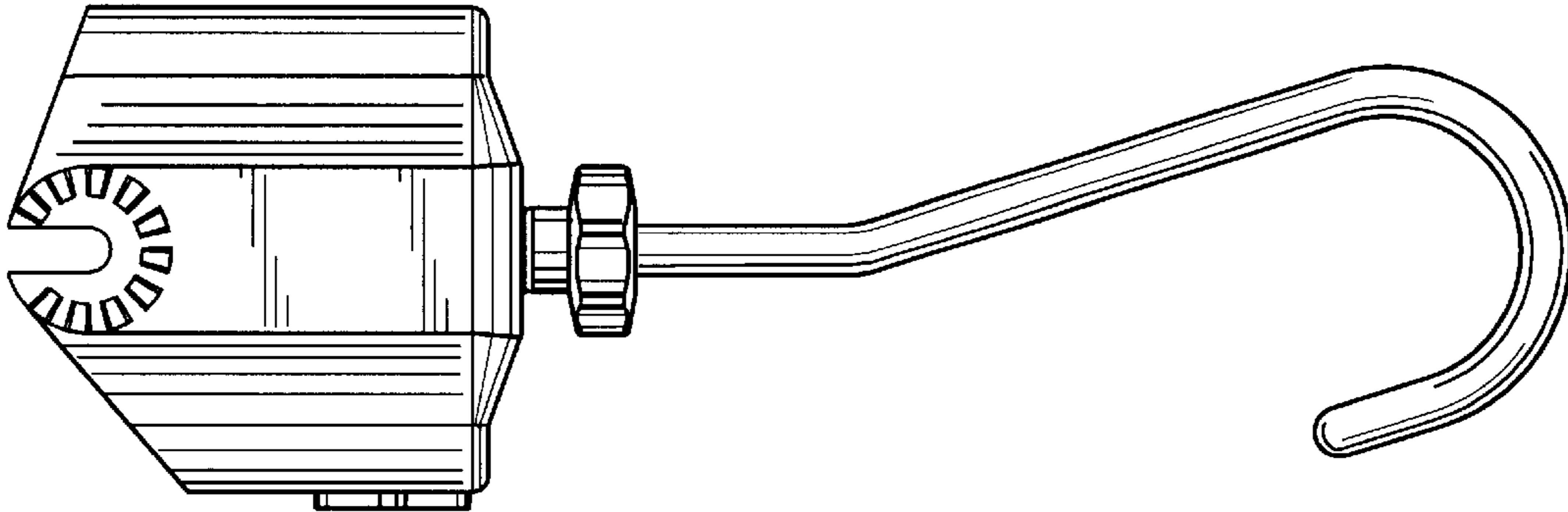


Fig. 5

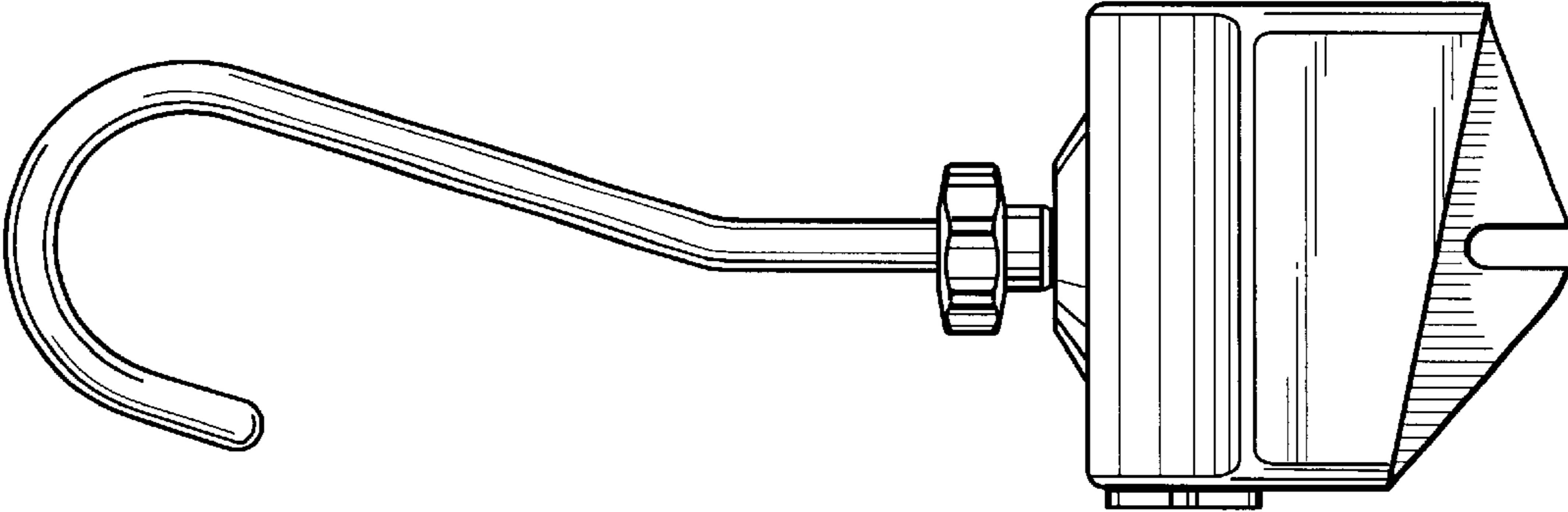


Fig.7

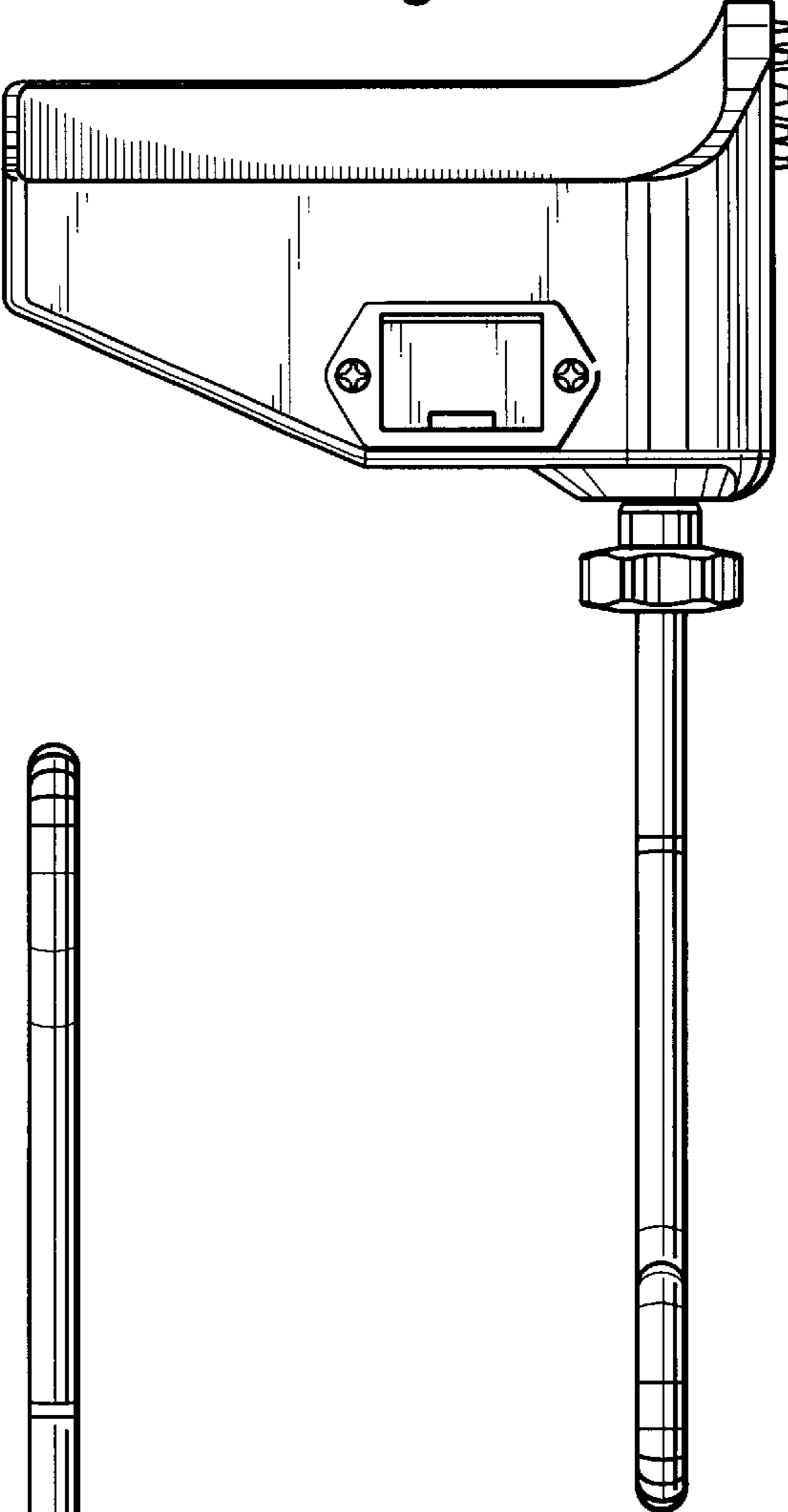


Fig. 6

