



US00D510879S

(12) **United States Design Patent**  
**Kurmlavage**

(10) **Patent No.:** **US D510,879 S**

(45) **Date of Patent:** **\*\* Oct. 25, 2005**

(54) **ROLLER GRILL DEVICE**

(75) **Inventor:** **Michael M. Kurmlavage**, Lansdowne,  
PA (US)

(73) **Assignee:** **Spirit Specialty Solutions, Inc.**,  
Lansdowne, PA (US)

(\*\*) **Term:** **14 Years**

(21) **Appl. No.:** **29/218,658**

(22) **Filed:** **Dec. 7, 2004**

|             |        |               |
|-------------|--------|---------------|
| 2,344,853 A | 3/1944 | Haes          |
| 4,086,813 A | 5/1978 | Meek et al.   |
| 4,633,772 A | 1/1987 | Bowden et al. |
| 5,620,255 A | 4/1997 | Cook, III     |
| 6,123,013 A | 9/2000 | Ruggiero      |
| D441,307 S  | 5/2001 | Kurmlavage    |

*Primary Examiner*—Antoine D. Davis  
(74) *Attorney, Agent, or Firm*—Smith Patent Office

(57) **CLAIM**

The ornamental design for roller grill device, as shown and described.

**Related U.S. Application Data**

(62) Division of application No. 29/195,166, filed on Dec. 9, 2003, now Pat. No. Des. 499,346, which is a division of application No. 29/169,616, filed on Oct. 24, 2002, now Pat. No. Des. 483,278, which is a continuation-in-part of application No. 09/845,835, filed on May 1, 2001, now Pat. No. 6,474,223, which is a continuation-in-part of application No. 29/127,846, filed on Aug. 15, 2000, now Pat. No. Des. 441,307, which is a continuation of application No. 09/280,815, filed on Mar. 30, 1999, now Pat. No. 6,101,927.

(51) **LOC (8) Cl.** ..... **10-04**

(52) **U.S. Cl.** ..... **D10/57**

(58) **Field of Search** ..... D10/57; 99/343,  
99/342, 344, 393, 395; 374/141, 142, 208

(56) **References Cited**

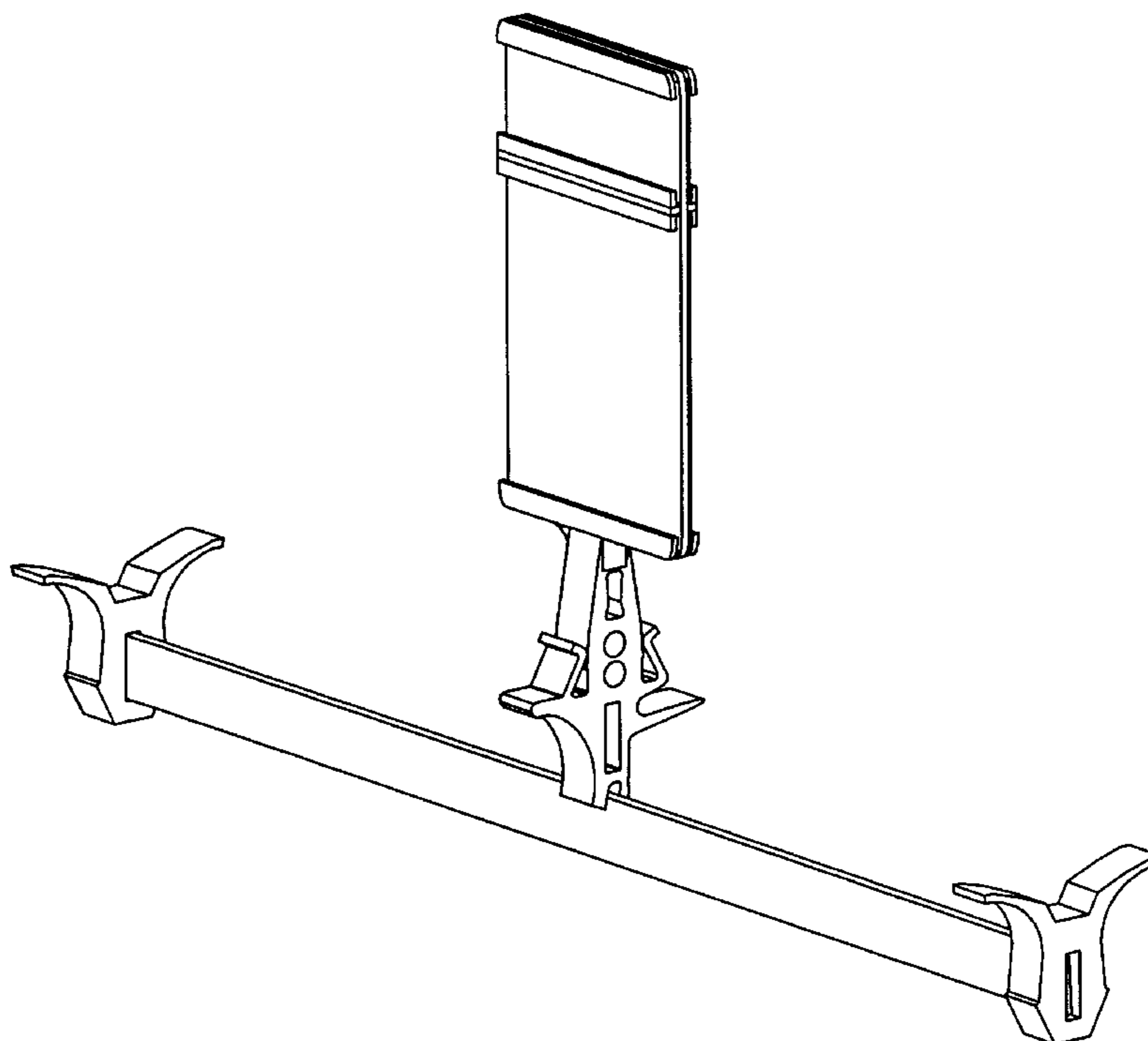
**U.S. PATENT DOCUMENTS**

1,272,318 A 7/1918 Rodgers

**DESCRIPTION**

FIG. 1 is a perspective view of a roller grill device showing my new design;  
FIG. 2 is a front view of the roller grill device according to the embodiment of FIG. 1;  
FIG. 3 is a top view of the roller grill device according to the embodiment of FIG. 1;  
FIG. 4 is a rear view of the grill device according to the embodiment of FIG. 1;  
FIG. 5 is a bottom view of the grill device according to the embodiment of FIG. 1;  
FIG. 6 is a right view of the grill device according to the embodiment of FIG. 1; and,  
FIG. 7 is a left view of the grill device according to the embodiment of FIG. 1.

**1 Claim, 4 Drawing Sheets**



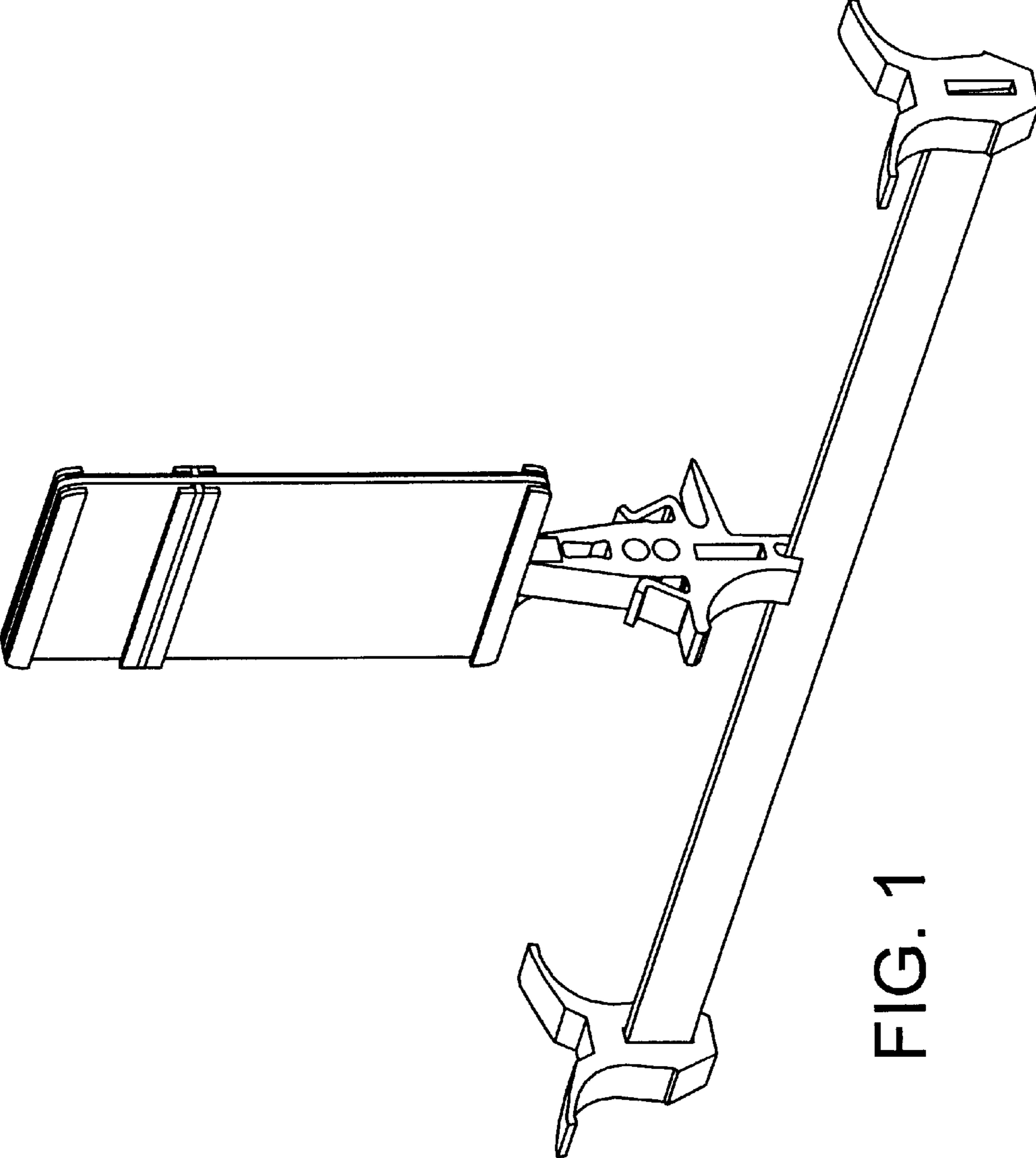


FIG. 1

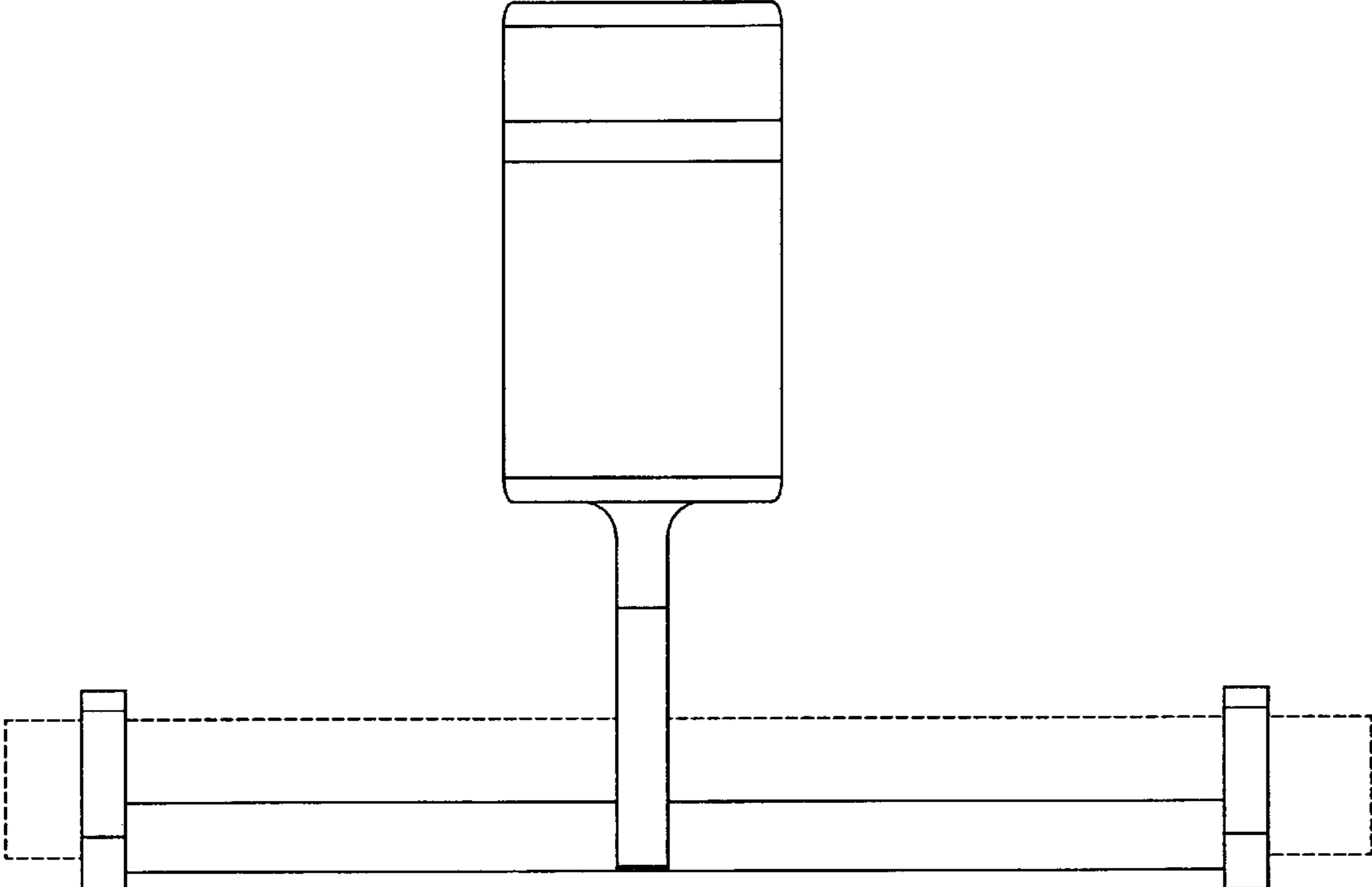


FIG. 2

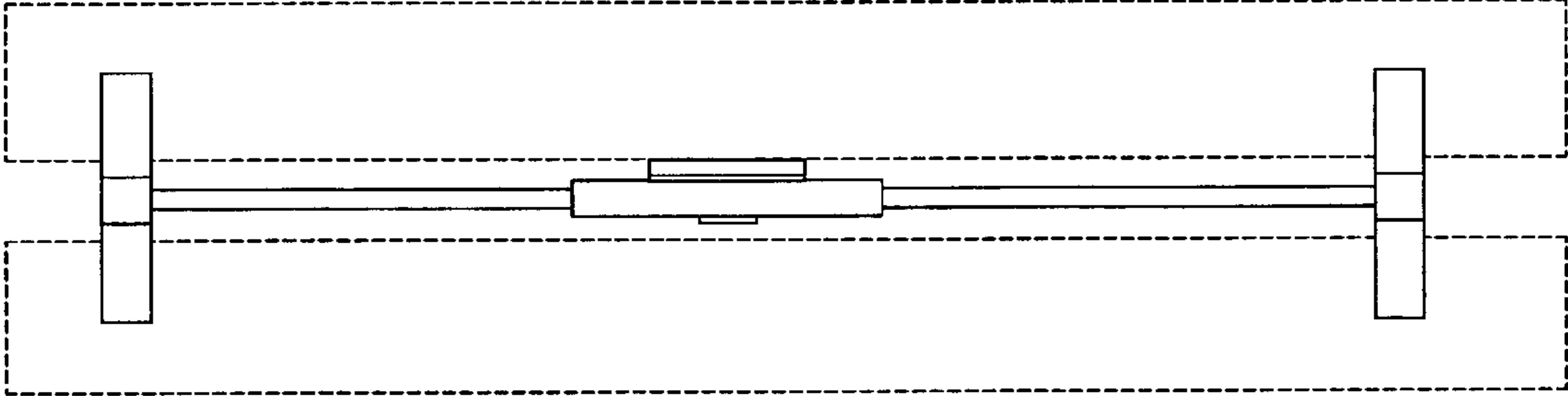


FIG. 3

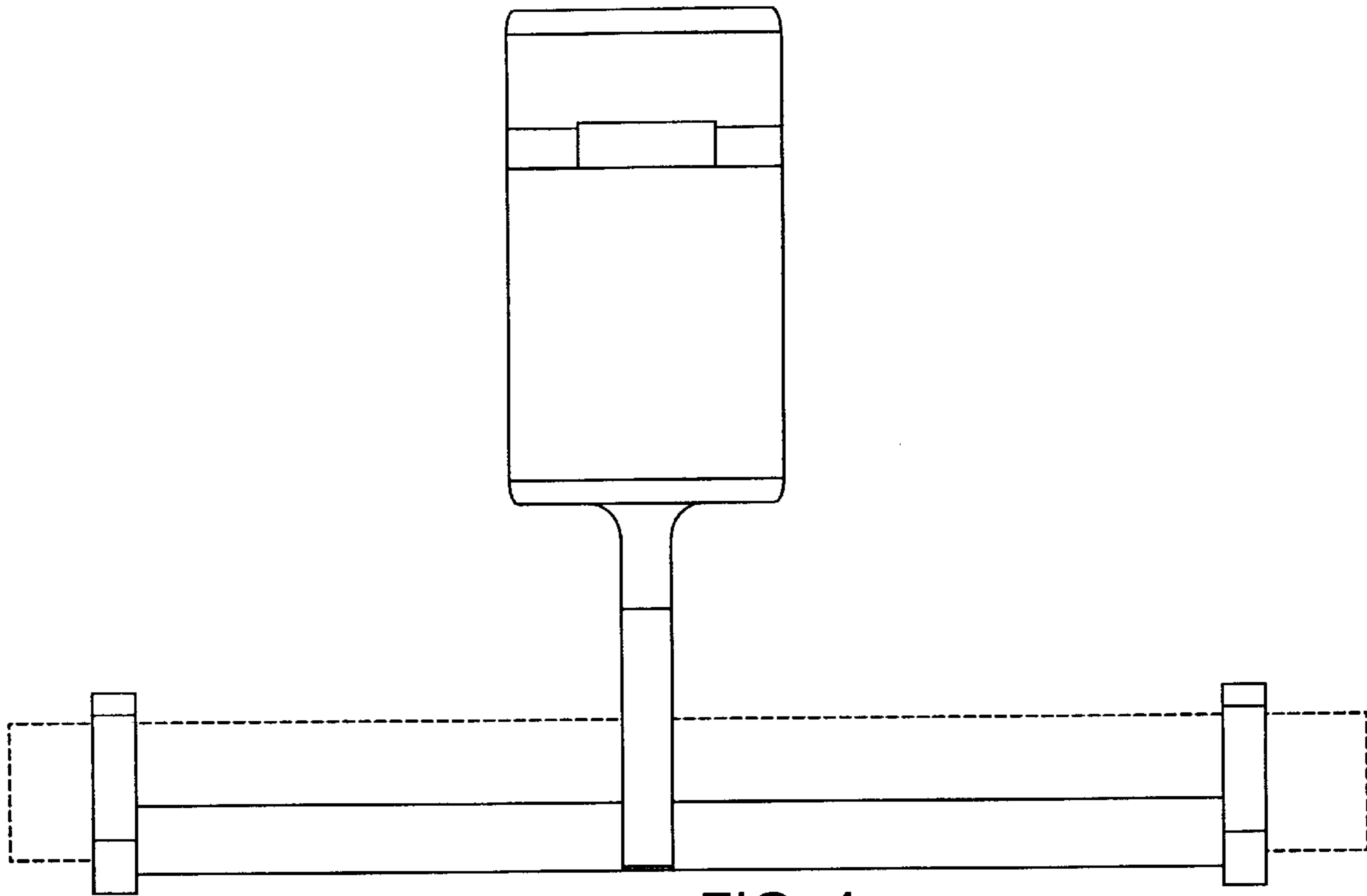


FIG. 4

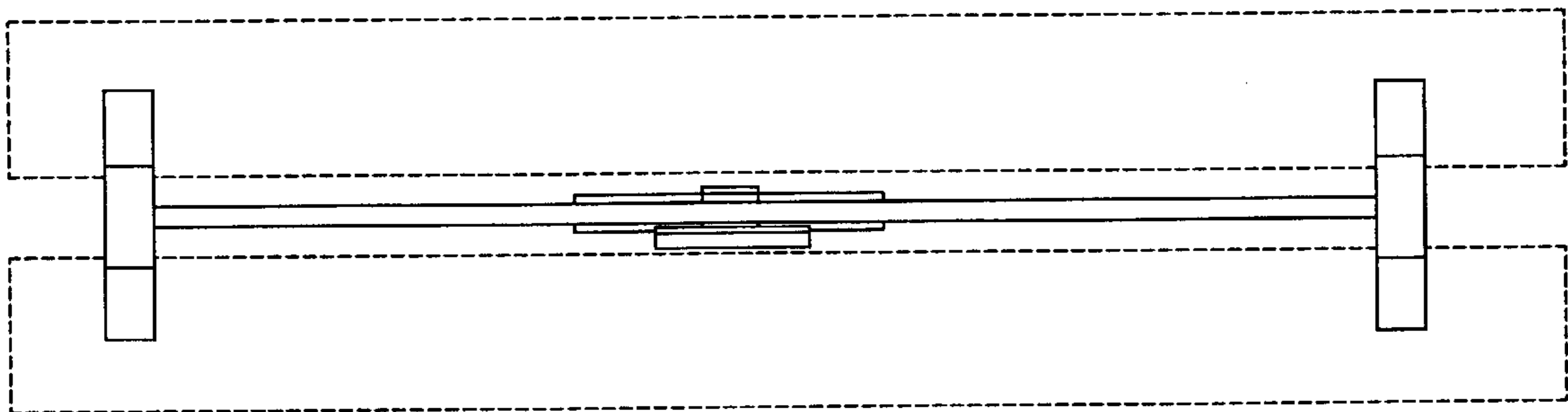


FIG. 5

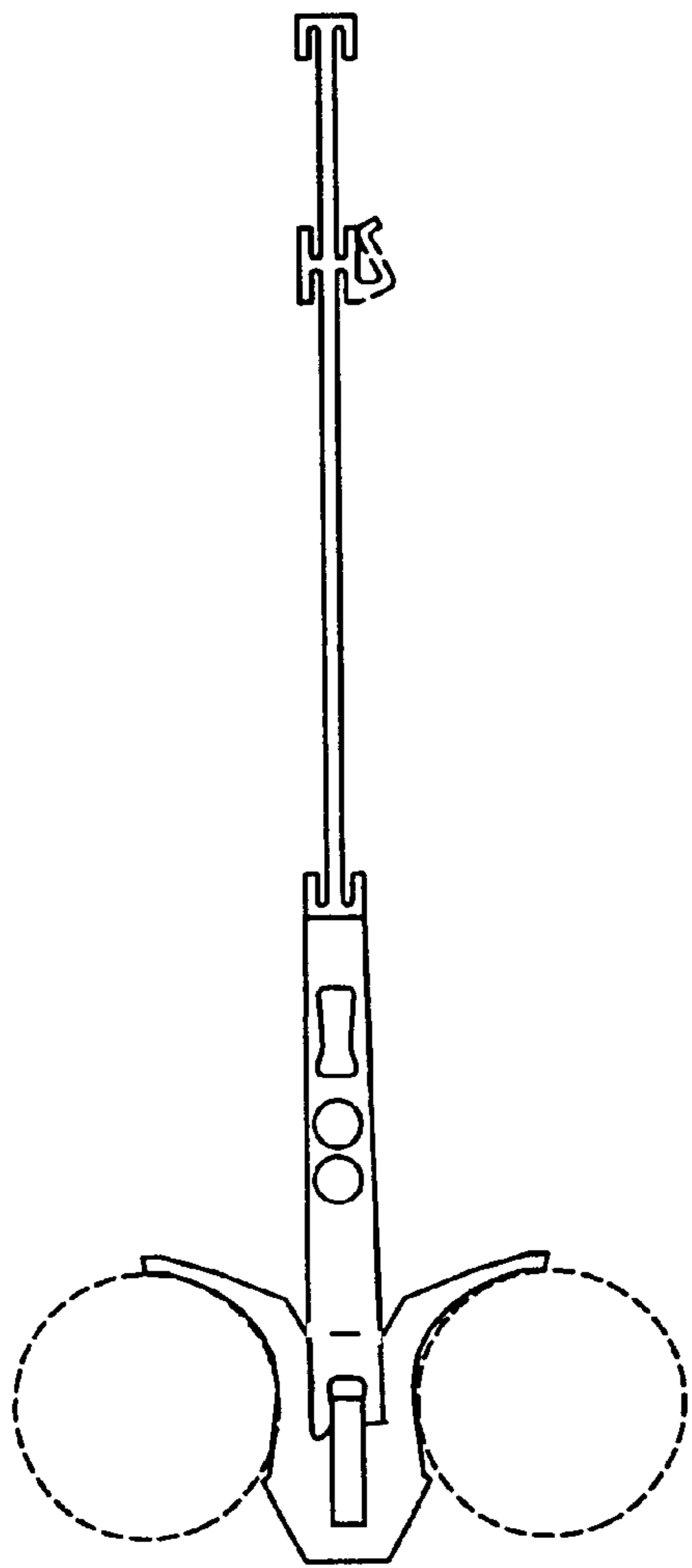


FIG. 6

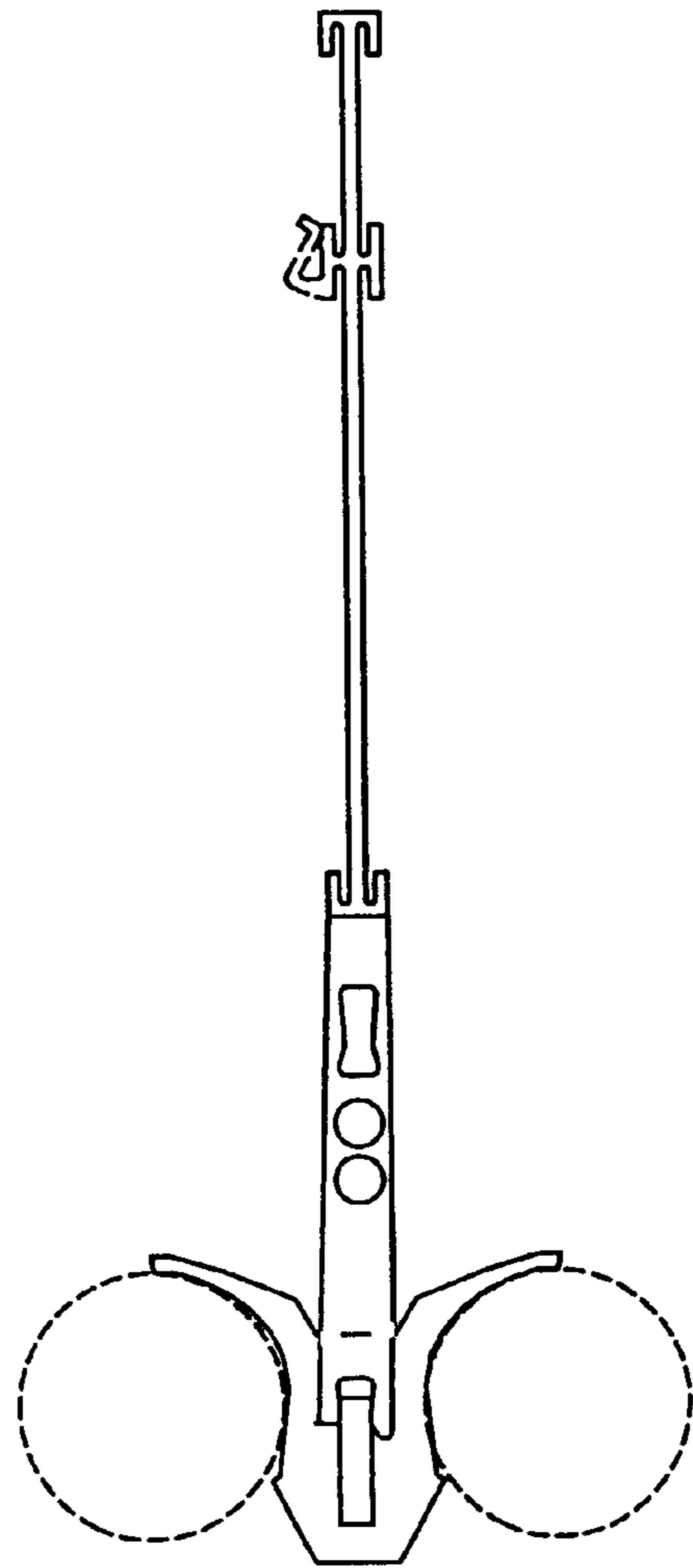


FIG. 7