



US00D510877S

(12) **United States Design Patent**
Wolff et al.

(10) **Patent No.:** **US D510,877 S**
(45) **Date of Patent:** **** Oct. 25, 2005**

(54) **DESK CLOCK**

D346,965 S 5/1994 Wolff
D347,796 S 6/1994 Wolff

(75) Inventors: **Stephen H. Wolff**, New Rochelle, NY (US); **Aubrey Jones**, New Rochelle, NY (US)

* cited by examiner

(73) Assignee: **Wolff Medical Marketing and Design, LLC**, New Rochelle, NY (US)

Primary Examiner—Lucy Lieberman
(74) *Attorney, Agent, or Firm*—Lerner, David, Littenberg, Krumholz & Mentlik, LLP

(**) **Term:** **14 Years**

(57) **CLAIM**

(21) Appl. No.: **29/217,265**

The ornamental design for a desk clock, as shown and described.

(22) Filed: **Nov. 15, 2004**

DESCRIPTION

(51) **LOC (8) Cl.** **10-01**

FIG. 1 is a front perspective view of a desk clock, in accordance with the present invention.

(52) **U.S. Cl.** **D10/20**

FIG. 2 is a front view of the desk clock shown in FIG. 1. FIG. 3 is a top plan view of the desk clock shown in FIG. 1.

(58) **Field of Search** D10/1–29, 40, D10/128; 368/276–278, 285, 10, 316, 317

FIG. 4 is a right side view of the desk clock shown in FIG. 1.

(56) **References Cited**

U.S. PATENT DOCUMENTS

D93,364 S	*	9/1934	Stemwedel	D10/53
D96,365 S	*	7/1935	Brown	D10/102
D115,620 S	*	7/1939	Goulet	D10/20
D162,391 S	*	3/1951	Darrot	D10/20
D313,356 S	*	1/1991	Aikawa	D10/21
D319,393 S		8/1991	Wolff		
D329,609 S		9/1992	Wolff		

FIG. 5 is a left side view of the desk clock shown in FIG. 1; and,

FIG. 6 is a rear view of the desk clock shown in FIG. 1. The broken line showing of environment is for illustrative purposes only and forms no part of the claimed design.

1 Claim, 6 Drawing Sheets

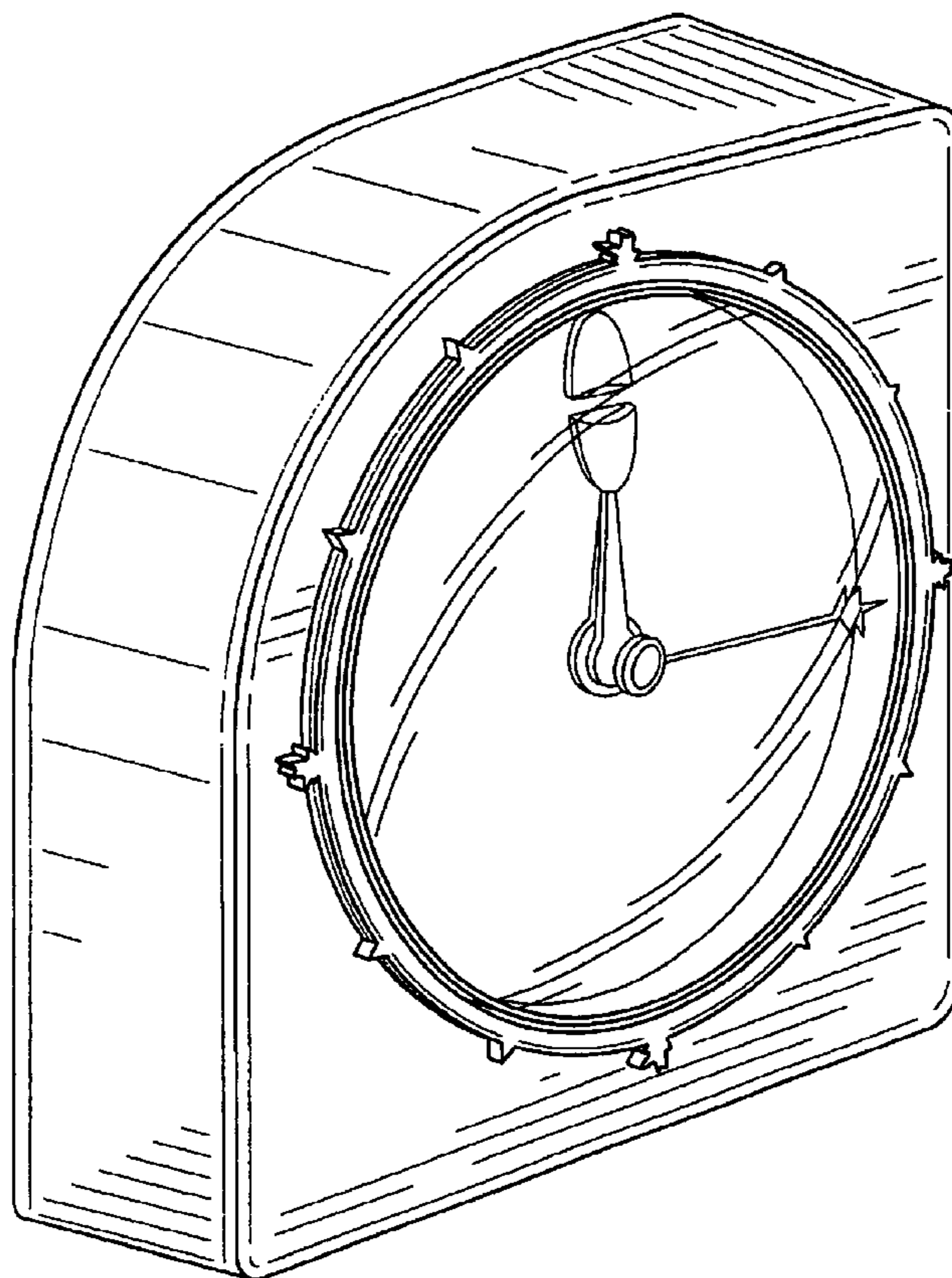


FIG. 1

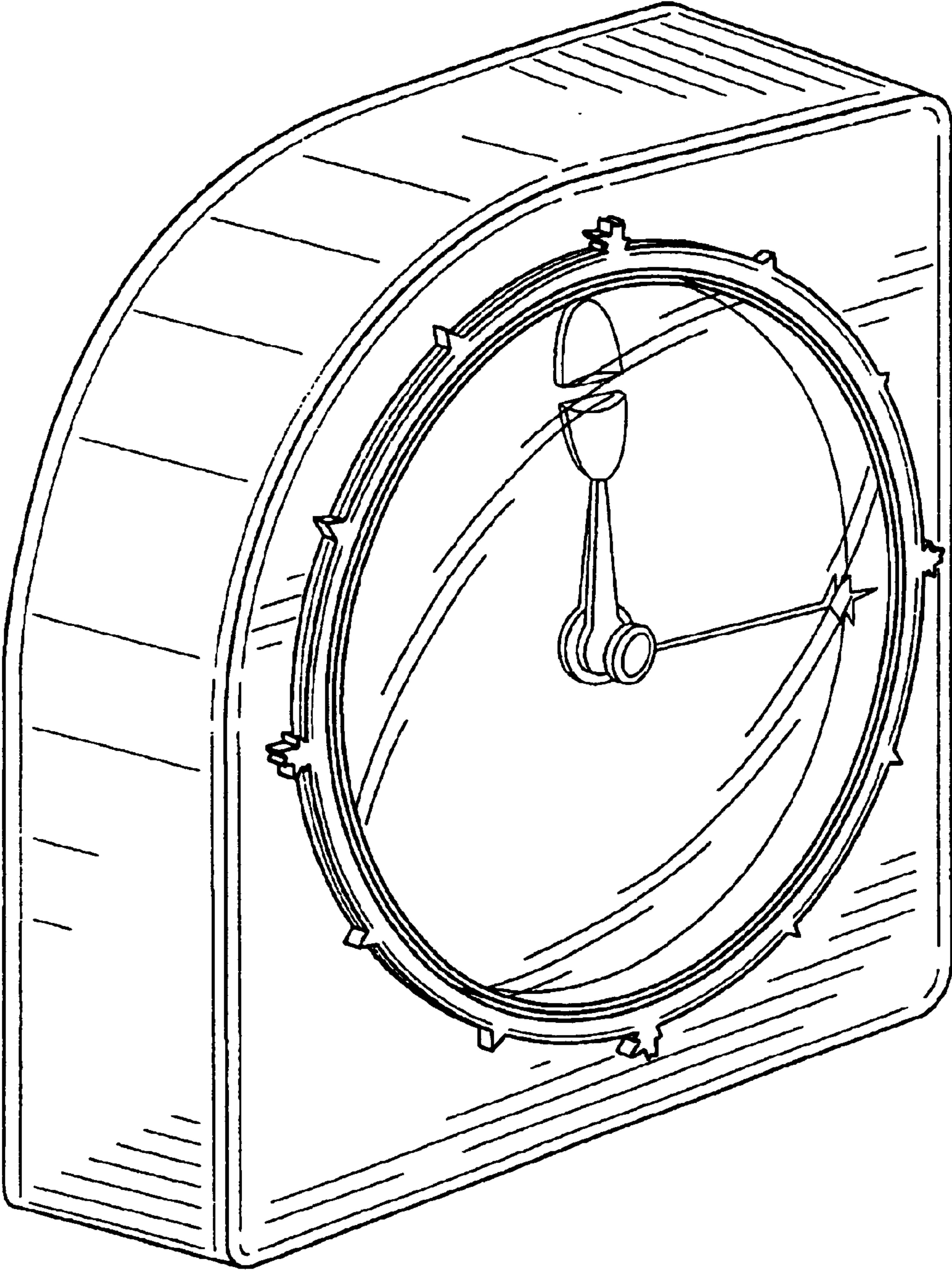


FIG. 2

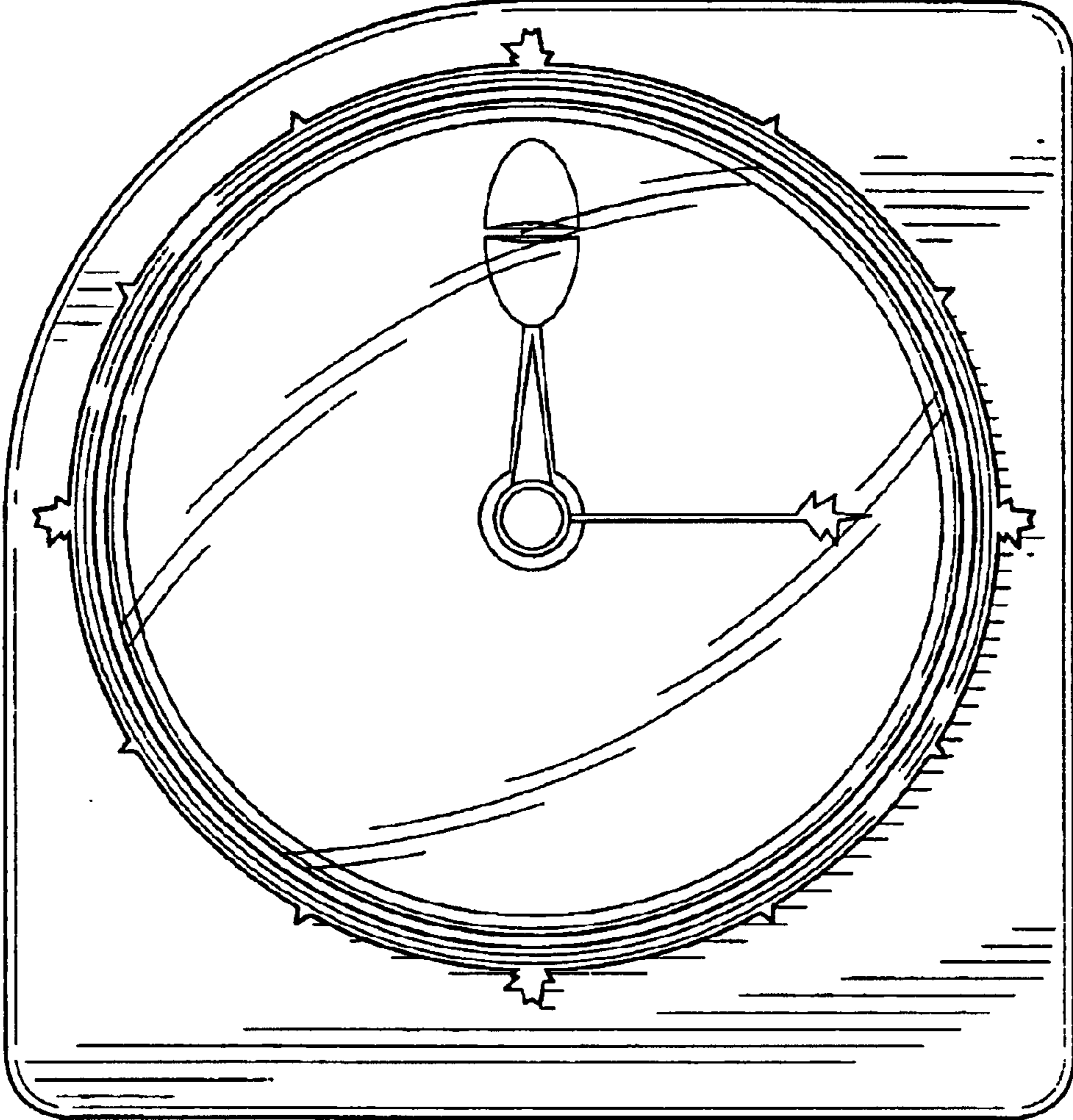


FIG. 3

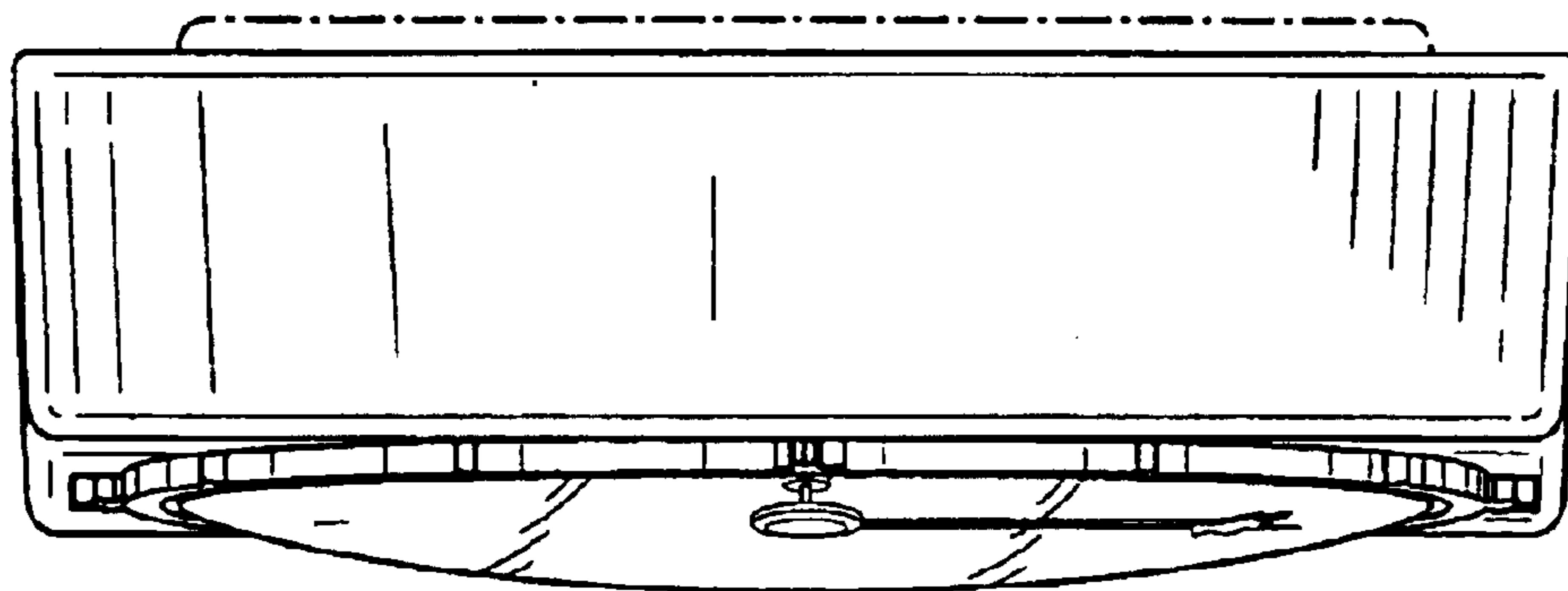


FIG. 4

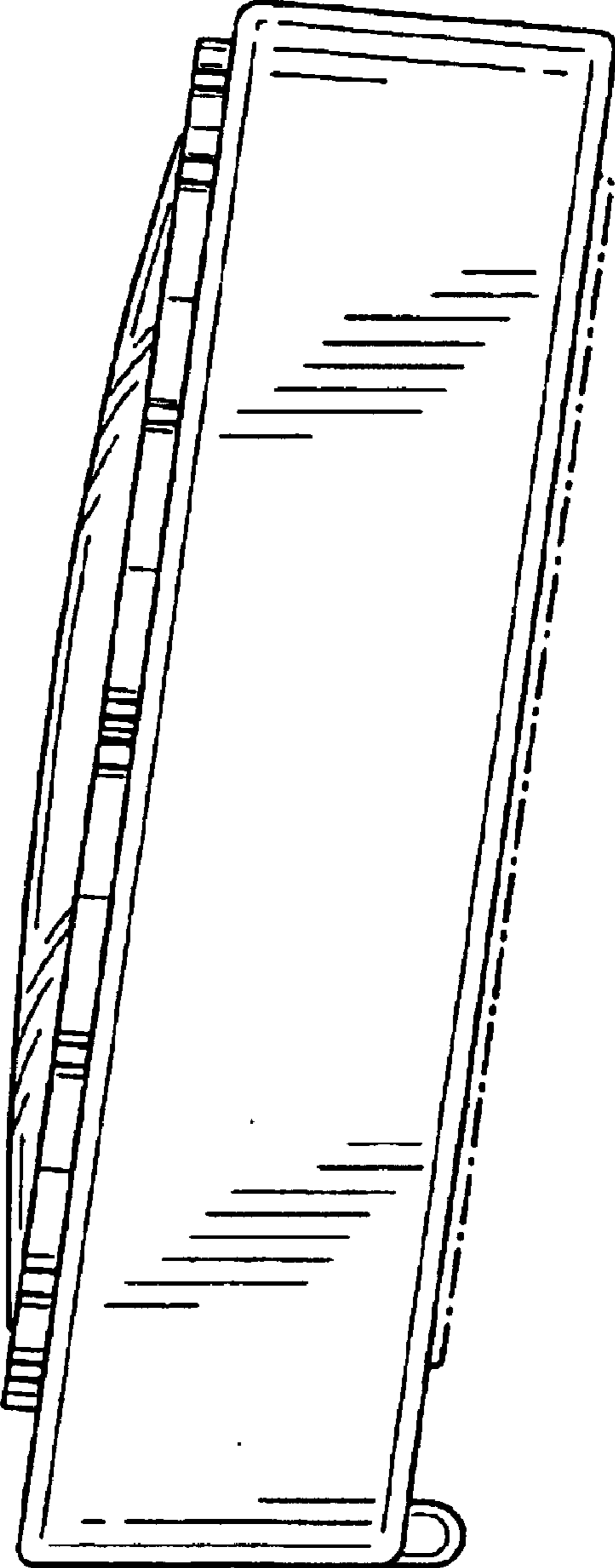


FIG. 5

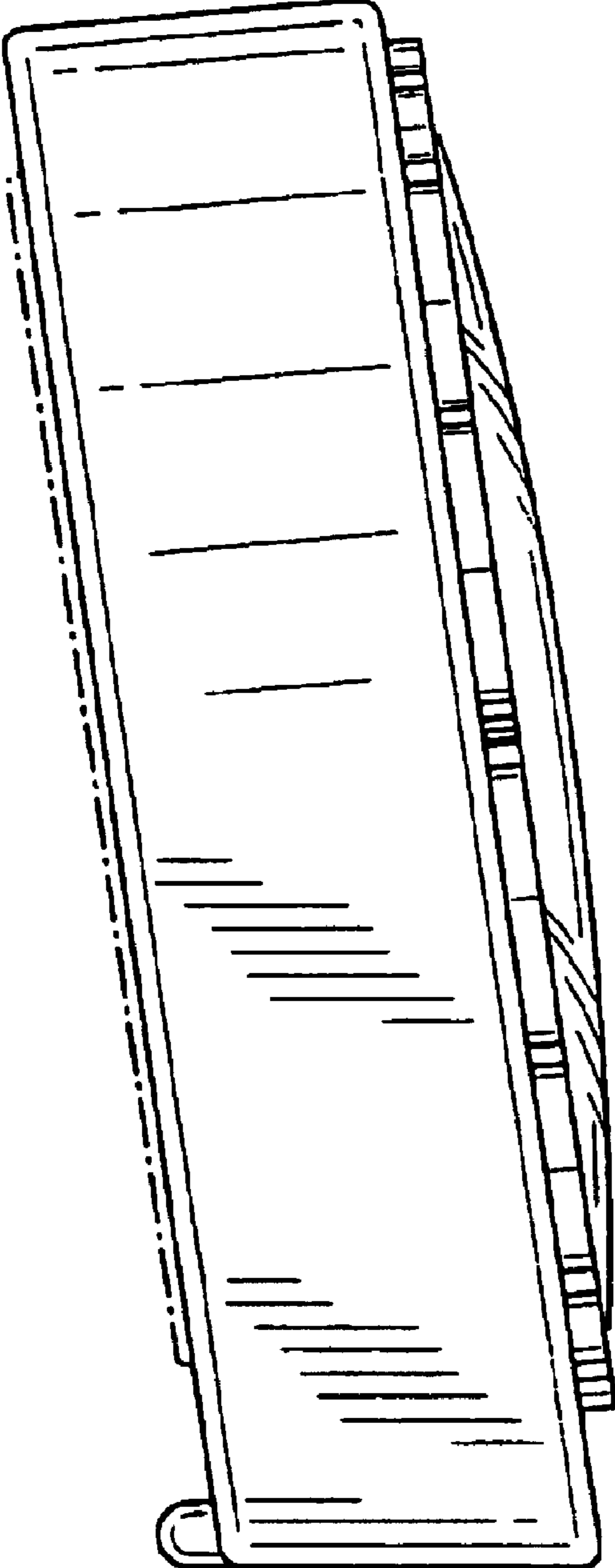


FIG. 6

