



US00D510876S

(12) **United States Design Patent**  
**Bhavnani**

(10) **Patent No.:** **US D510,876 S**

(45) **Date of Patent:** **\*\* Oct. 25, 2005**

(54) **SELF RIGHTING CLOCK**

(75) **Inventor:** **Dilip Bhavnani**, Beverly Hills, CA  
(US)

(73) **Assignee:** **Sun Coast Merchandise Corp.**,  
Commerce, CA (US)

(\*\*) **Term:** **14 Years**

(21) **Appl. No.:** **29/219,549**

(22) **Filed:** **Dec. 16, 2004**

(51) **LOC (8) Cl.** ..... **10-01**

(52) **U.S. Cl.** ..... **D10/15; D10/23**

(58) **Field of Search** ..... D10/1-29, 40,  
D10/128; 368/28-30, 41-44, 82-84, 239-249,  
276, 277, 280, 285, 88, 226, 227, 223,  
316, 317, 278, 284, 10

(56) **References Cited**

**U.S. PATENT DOCUMENTS**

2,576,119 A \* 11/1951 Holzner ..... 368/284  
2,762,190 A \* 9/1956 Holzner ..... 368/78  
D197,617 S \* 3/1964 Shanok et al. .... D10/1  
D235,517 S \* 6/1975 Watanabe ..... D10/15

D235,518 S \* 6/1975 Watanabe ..... D10/15  
4,361,408 A \* 11/1982 Wirtschafter ..... 368/10  
D313,185 S \* 12/1990 Sullivan ..... D10/2  
D358,778 S \* 5/1995 Davis et al. .... D10/40

\* cited by examiner

*Primary Examiner*—Lucy Lieberman

(74) *Attorney, Agent, or Firm*—Brian Carpenter

(57) **CLAIM**

The ornamental design for a self righting clock, as shown and described.

**DESCRIPTION**

FIG. 1 is a top front perspective view of a self righting clock; FIG. 2 is a front elevation view of the self righting clock of FIG. 1;

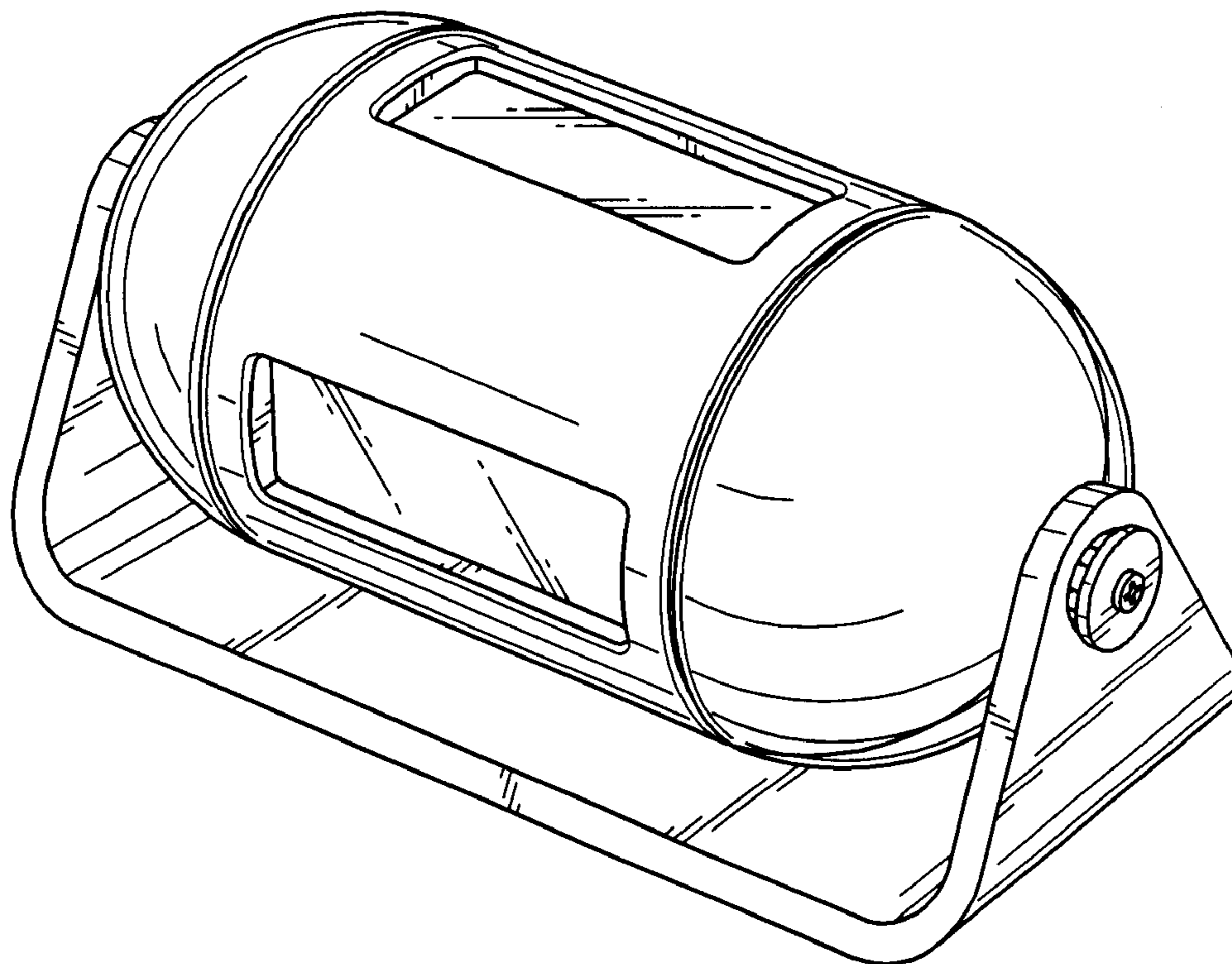
FIG. 3 is a side elevation of the self righting clock as seen from the left side of FIG. 2;

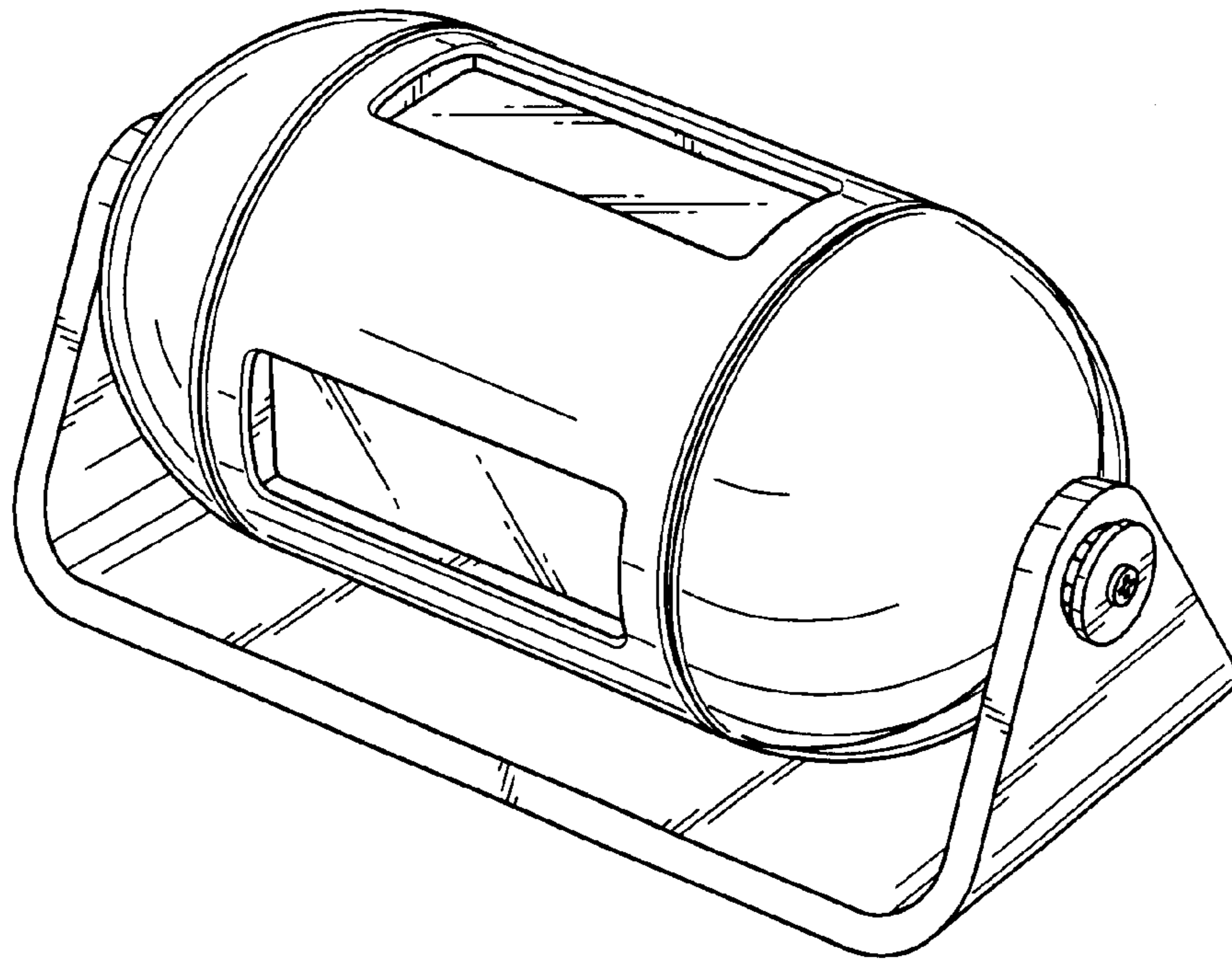
FIG. 4 is a top plan view of the self righting clock of FIG. 1;

FIG. 5 is a back elevation view of the self righting clock of FIG. 1; and,

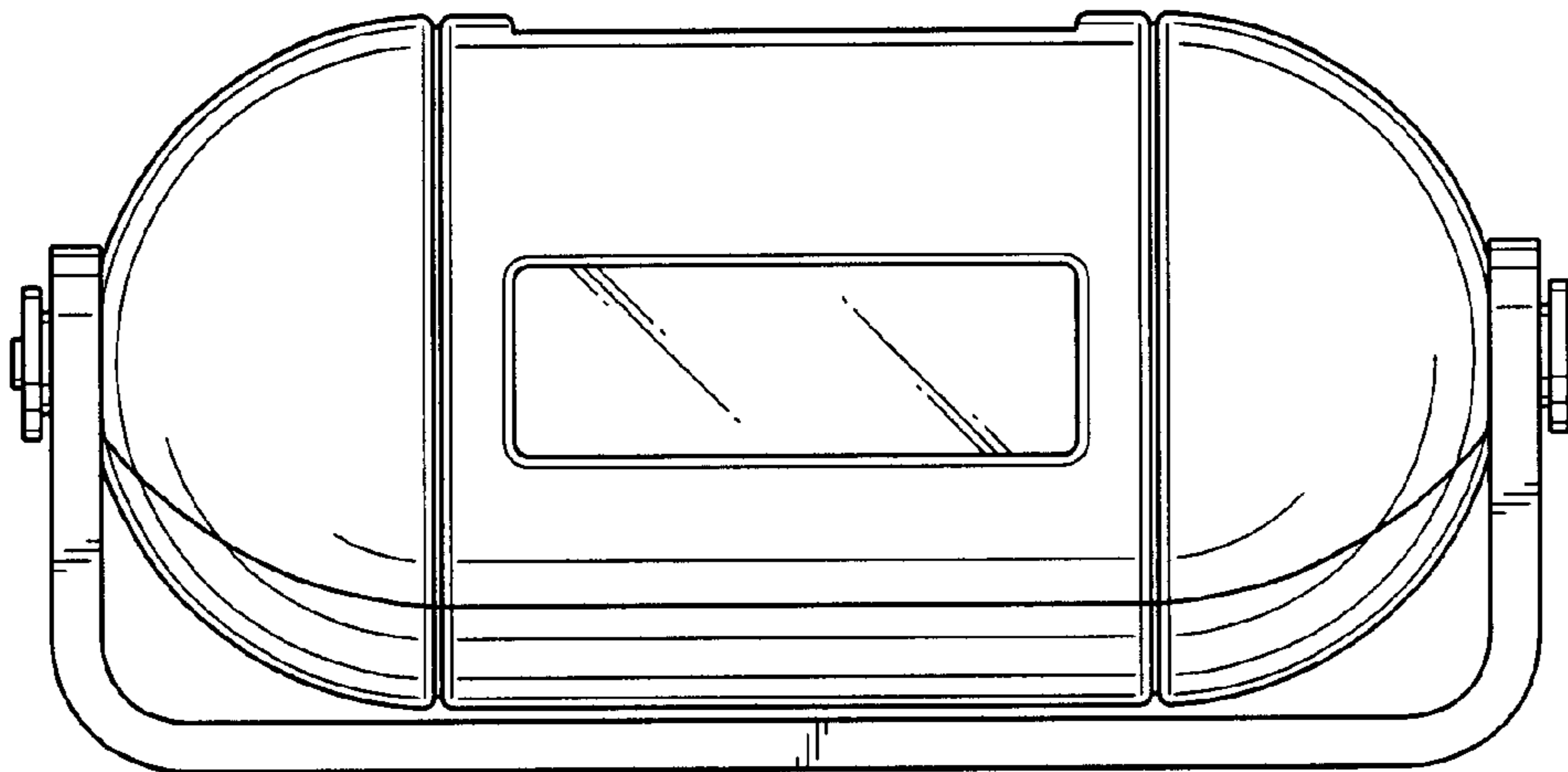
FIG. 6 is a bottom plan view of the self righting clock of FIG. 1.

**1 Claim, 3 Drawing Sheets**

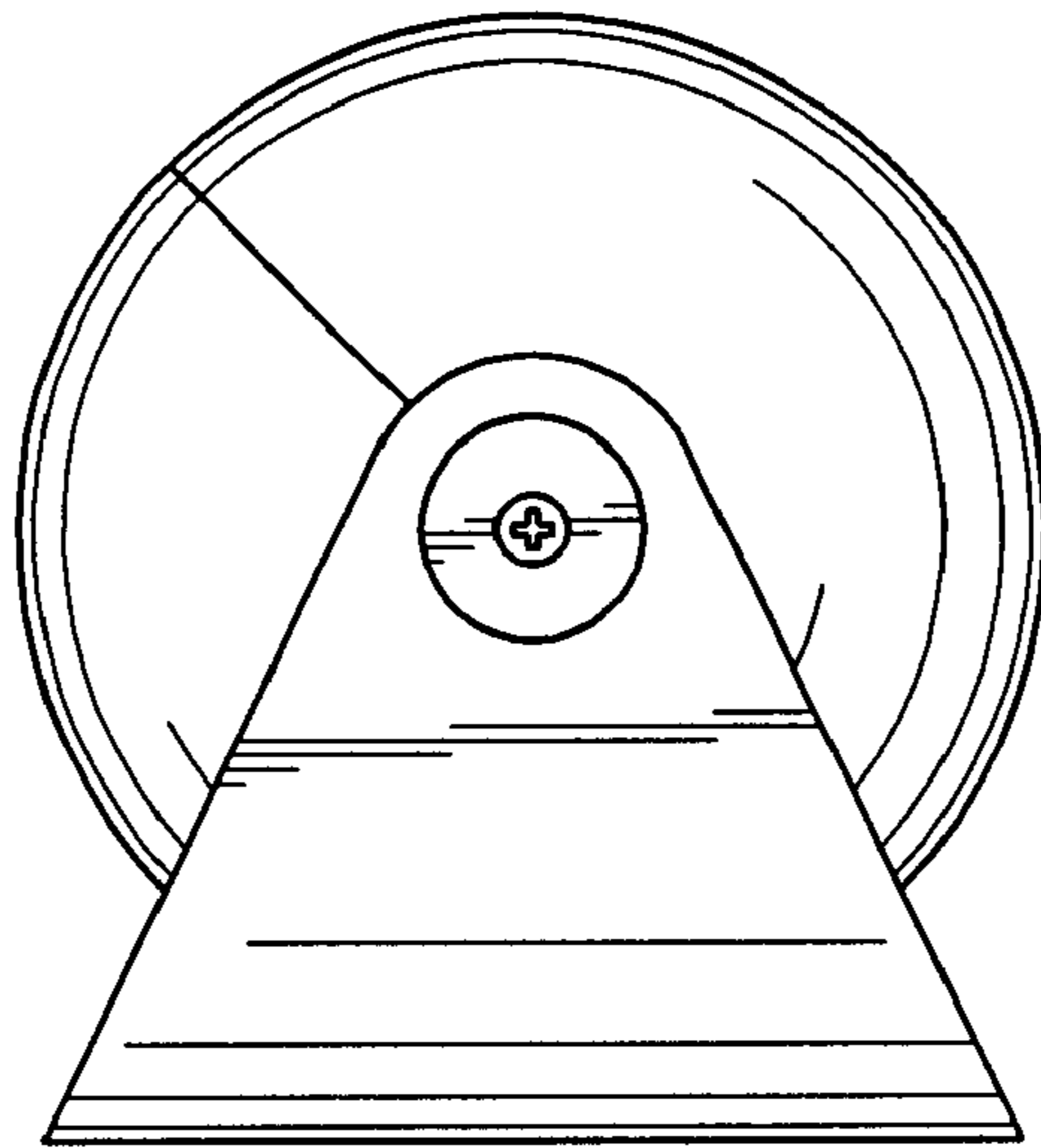




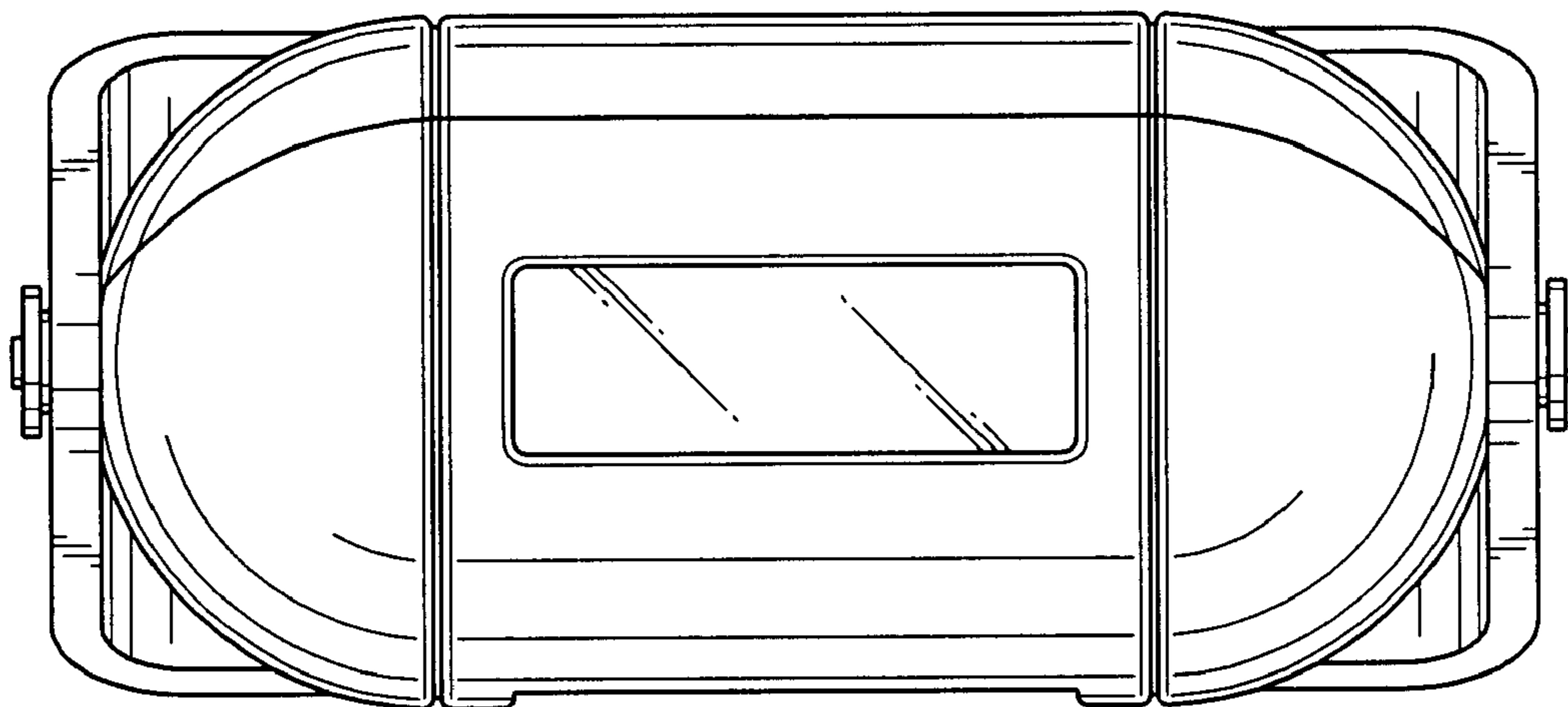
*FIG. 1*



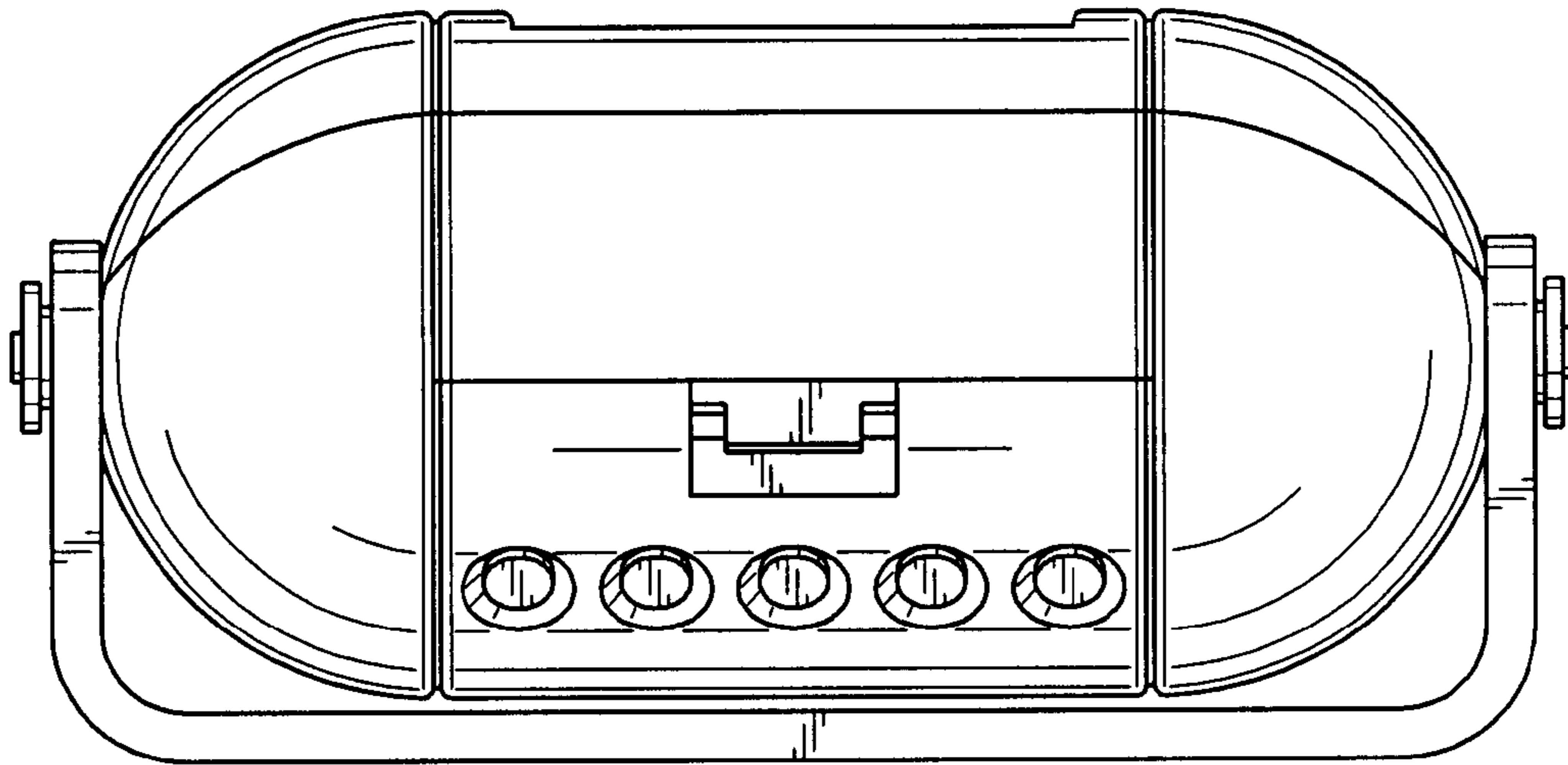
*FIG. 2*



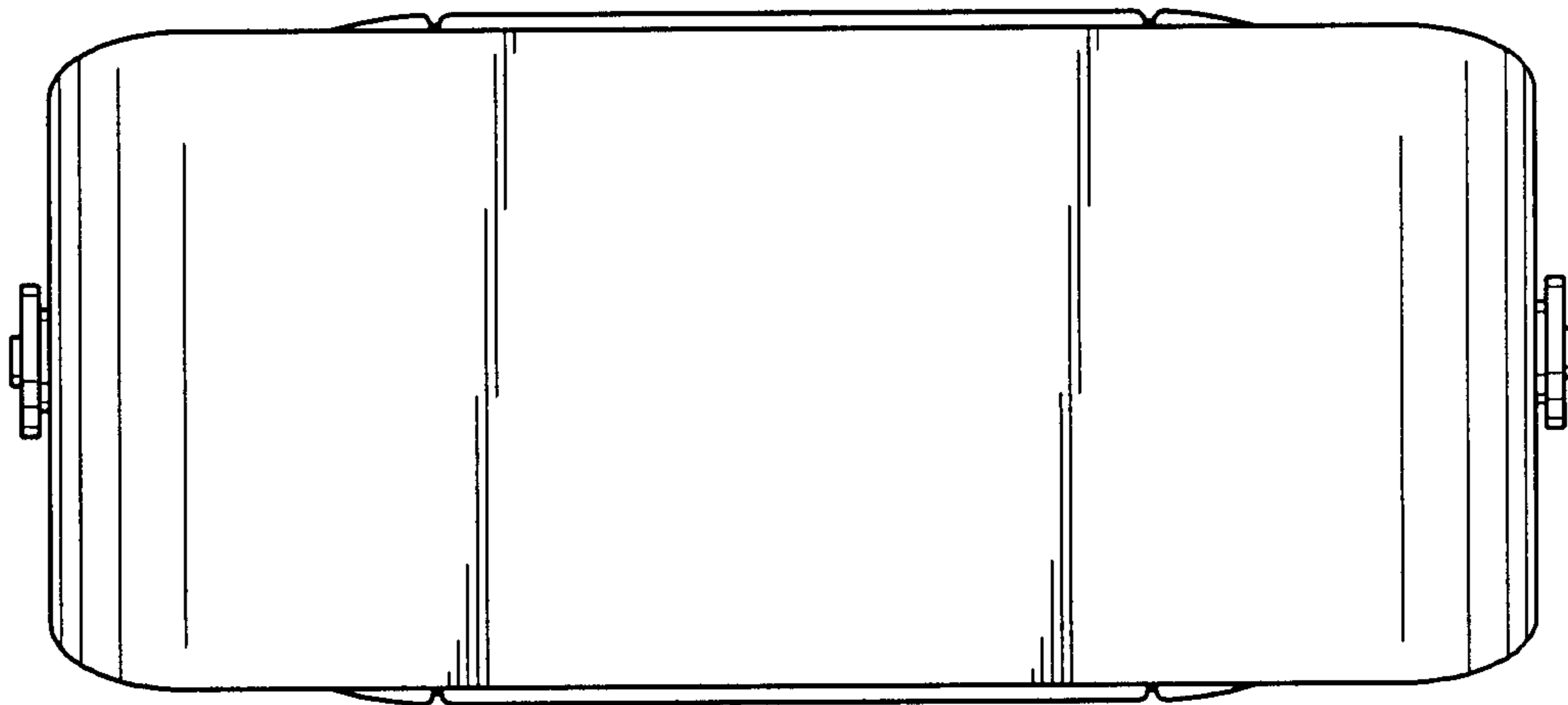
*FIG. 3*



*FIG. 4*



*FIG. 5*



*FIG. 6*