



US00D510874S

(12) **United States Design Patent**  
**Shurman**

(10) **Patent No.: US D510,874 S**

(45) **Date of Patent: \*\* Oct. 25, 2005**

(54) **DISPENSING CONTAINER**

(75) Inventor: **Anthony Craig Shurman**, Westfield,  
NJ (US)

(73) Assignee: **Yosha! Enterprises**, Westfield, NJ (US)

(\*\*) Term: **14 Years**

(21) Appl. No.: **29/219,236**

(22) Filed: **Dec. 14, 2004**

**Related U.S. Application Data**

(62) Division of application No. 29/190,361, filed on Sep. 19,  
2003, now Pat. No. Des. 501,136.

(51) **LOC (8) Cl. .... 09-03**

(52) **U.S. Cl. .... D9/733**

(58) **Field of Search** ..... D9/730, 733, 735,  
D9/414, 417, 424, 430, 431, 432; D19/65,  
67, 69; 206/37, 527; 221/282; 222/153.01,  
173, 175, 323-324, 372, 465.1

(56) **References Cited**

**U.S. PATENT DOCUMENTS**

|             |         |               |
|-------------|---------|---------------|
| 724,667 A   | 4/1903  | Cornell       |
| 2,727,547 A | 12/1955 | Moon, 3rd     |
| 2,809,747 A | 10/1957 | Fowler, Jr.   |
| 3,472,362 A | 10/1969 | Shinoda       |
| 3,915,295 A | 10/1975 | Morrison      |
| 4,046,252 A | 9/1977  | Korby et al.  |
| 4,144,985 A | 3/1979  | Kinslow       |
| 4,517,994 A | 5/1985  | Endelson      |
| 4,538,731 A | 9/1985  | Cillario      |
| 4,804,113 A | 2/1989  | Ciaccio       |
| 4,852,729 A | 8/1989  | Conte         |
| 5,088,684 A | 2/1992  | Torras et al. |
| 5,096,057 A | 3/1992  | Yoo           |
| 5,353,956 A | 10/1994 | Wilson        |
| 5,482,157 A | 1/1996  | Kim           |
| 5,558,217 A | 9/1996  | Focke et al.  |
| 5,630,503 A | 5/1997  | Rhodes et al. |
| 5,636,732 A | 6/1997  | Gilels et al. |

|              |         |               |
|--------------|---------|---------------|
| 5,878,875 A  | 3/1999  | Leong         |
| 5,918,734 A  | 7/1999  | Devens et al. |
| 6,119,852 A  | 9/2000  | Focke et al.  |
| D432,263 S   | 10/2000 | Issa          |
| 6,223,891 B1 | 5/2001  | Devens et al. |

**OTHER PUBLICATIONS**

US 4,989,726, 2/1991, Neyret et al. (withdrawn)  
(front view) "Breath Savers Cool Blasts", Nabisco Inc.,  
www.CandyStand.com.  
(back view) "Breath Savers Cool Blasts", Nabisco Inc.,  
www.CandyStand.com.  
(side view) "Breath Savers Cool Blasts", Nabisco Inc.,  
www.CandyStand.com.  
(front view) "Certs Powerful Mints", 1996, Warner-Lam-  
bert Co., www.certs.com.  
(back view) "Certs Powerful Mints", 1996, Warner-Lambert  
Co., www.certs.com.  
(side view) "Certs Powerful Mints", 1996, Warner-Lambert  
Co., www.certs.com.  
(front view) "Café Select After Coffee Mints", 2002, Oval-  
ette Brands LLC., www.7-Eleven.com.

(Continued)

*Primary Examiner*—Stella Reid  
*Assistant Examiner*—Daniel Bui  
(74) *Attorney, Agent, or Firm*—Baker & McKenzie LLP

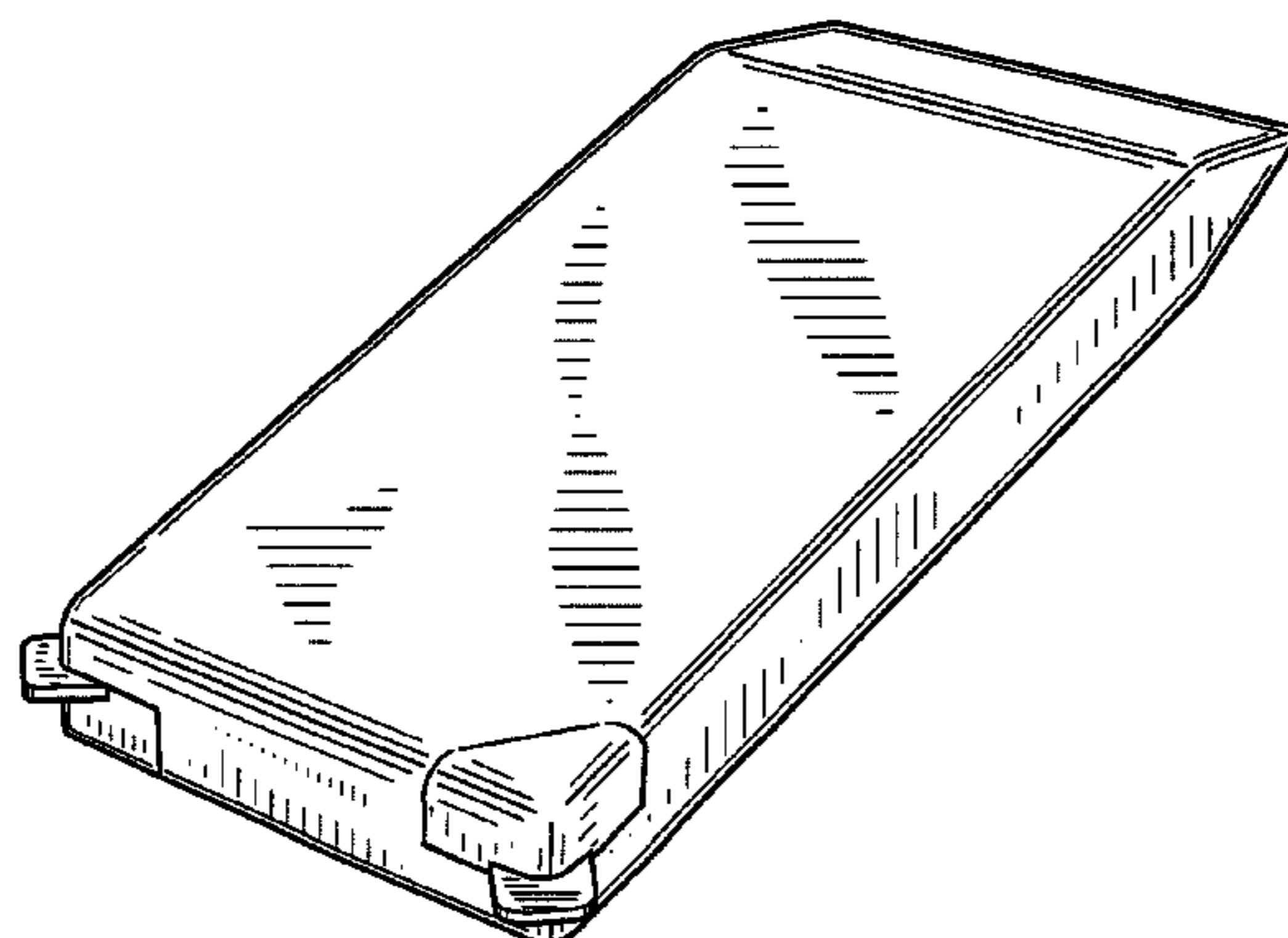
(57) **CLAIM**

The ornamental design for a dispensing container, as shown.

**DESCRIPTION**

FIG. 1 is a top and rear perspective view of a dispensing  
container, showing my new design;  
FIG. 2 is top and front perspective view thereof;  
FIG. 3 is a right side elevation view thereof;  
FIG. 4 is a rear elevation view thereof;  
FIG. 5 is a left side elevation view thereof;  
FIG. 6 is a front elevation view thereof;  
FIG. 7 is a top elevation view thereof; and,  
FIG. 8 is a bottom elevation view thereof.

**1 Claim, 3 Drawing Sheets**



OTHER PUBLICATIONS

(back view) "Café Select After Coffee Mints", 2002, Oval-ette Brands LLC., [www.7-Eleven.com](http://www.7-Eleven.com).

(side view) "Café Select After Coffee Mints", 2002, Oval-ette Brands, LLC., [www.7-Eleven.com](http://www.7-Eleven.com).

(front view) "Winterfresh Thin Ice", 2002, WM. Wrigley Jr. Company.

(back view) "Winterfresh Thin Ice", 2002, WM. Wrigley Jr. Company.

(side view) "Winterfresh Thin Ice", 2002, Wm. Wrigley Jr. Company.

(front view) "Cool Mint Listerine PocketPaks", 2001, Pfizer, [www.prodhelp.com](http://www.prodhelp.com).

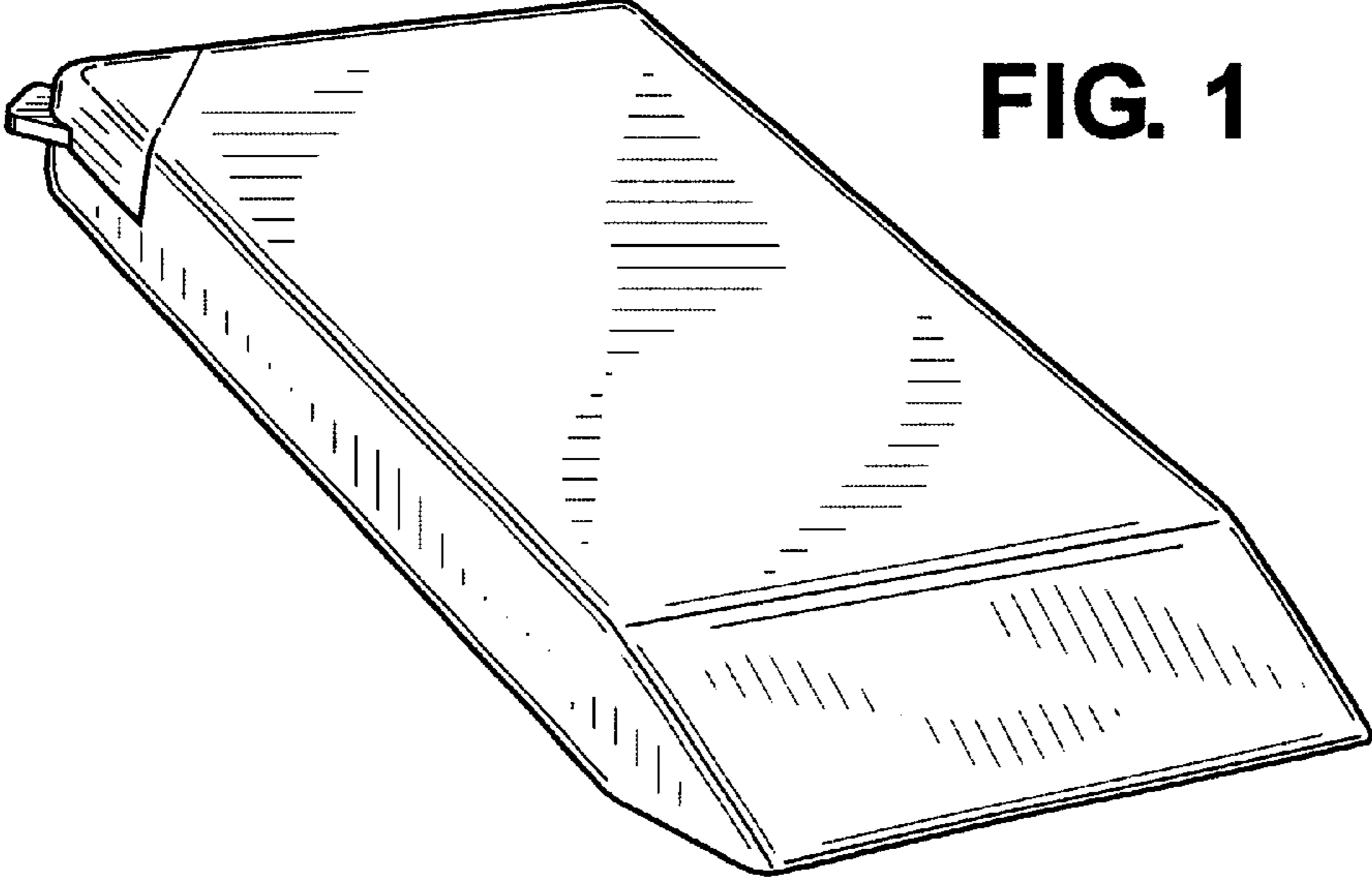
(back view) "Cool Mint Listerine PocketPaks", 2001, Pfizer, [www.prodhelp.com](http://www.prodhelp.com).

(side view) "Cool Mint Listerine PocketPaks", 2001, Pfizer, [www.prodhelp.com](http://www.prodhelp.com).

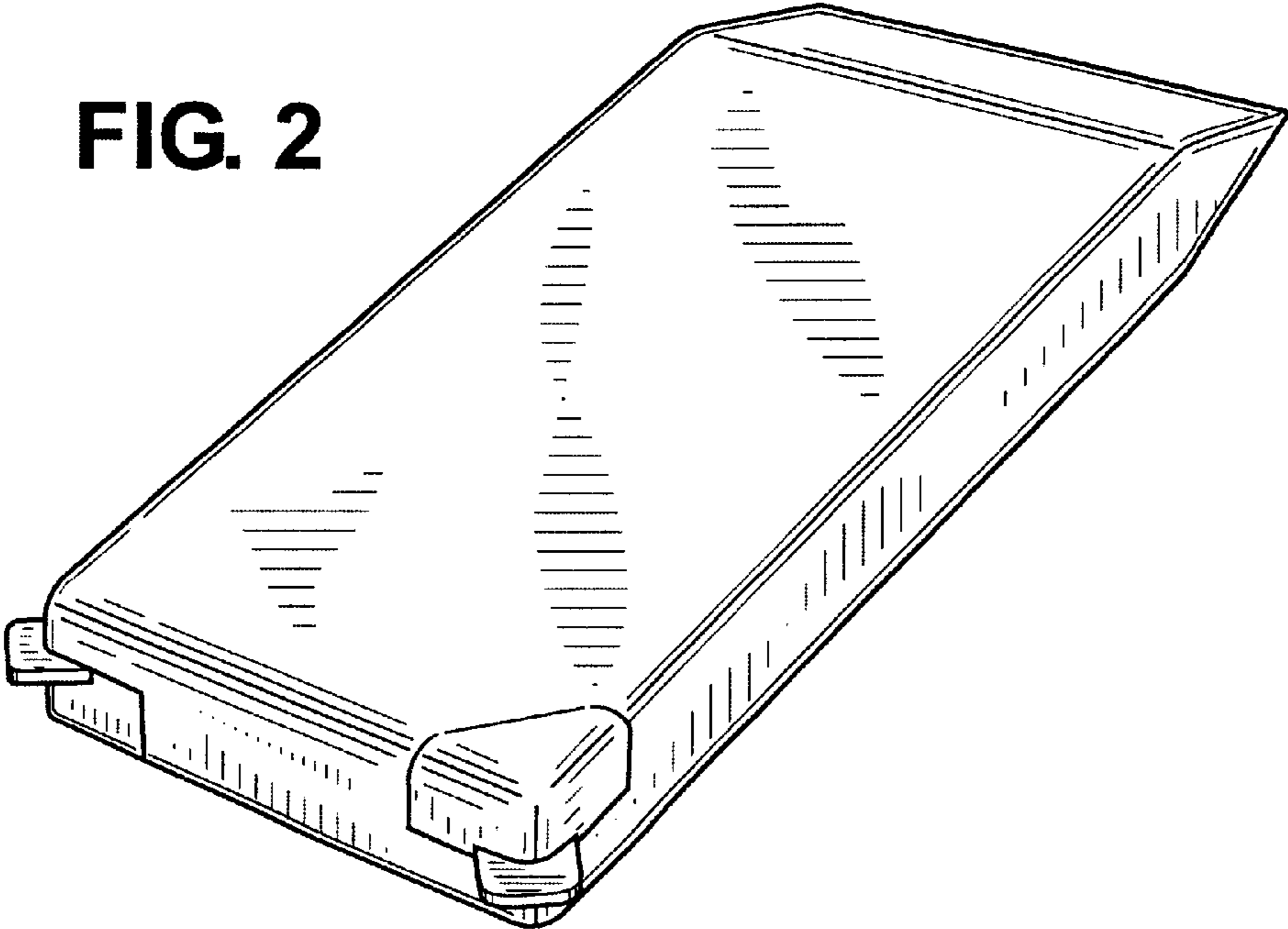
(front view) "Myntz! Instastripz", 2001, Myntz! Brands, [www.myntz.com](http://www.myntz.com).

(back view) "Myntz! Instastripz", 2001, Myntz! Brands, [www.myntz.com](http://www.myntz.com).

(side view) "Myntz! Instastripz", 2001, Myntz! Brands, [www.myntz.com](http://www.myntz.com).



**FIG. 1**

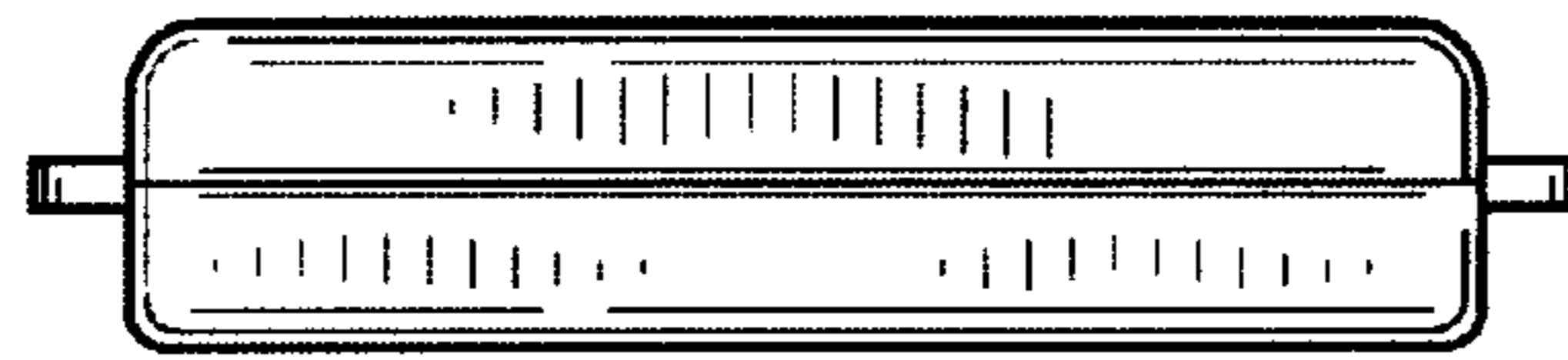


**FIG. 2**

**FIG. 3**



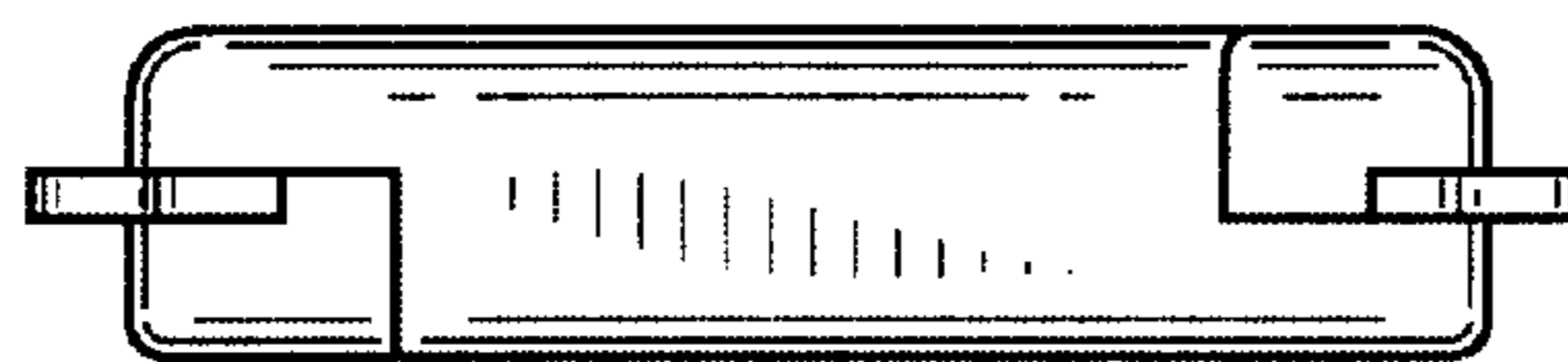
**FIG. 4**



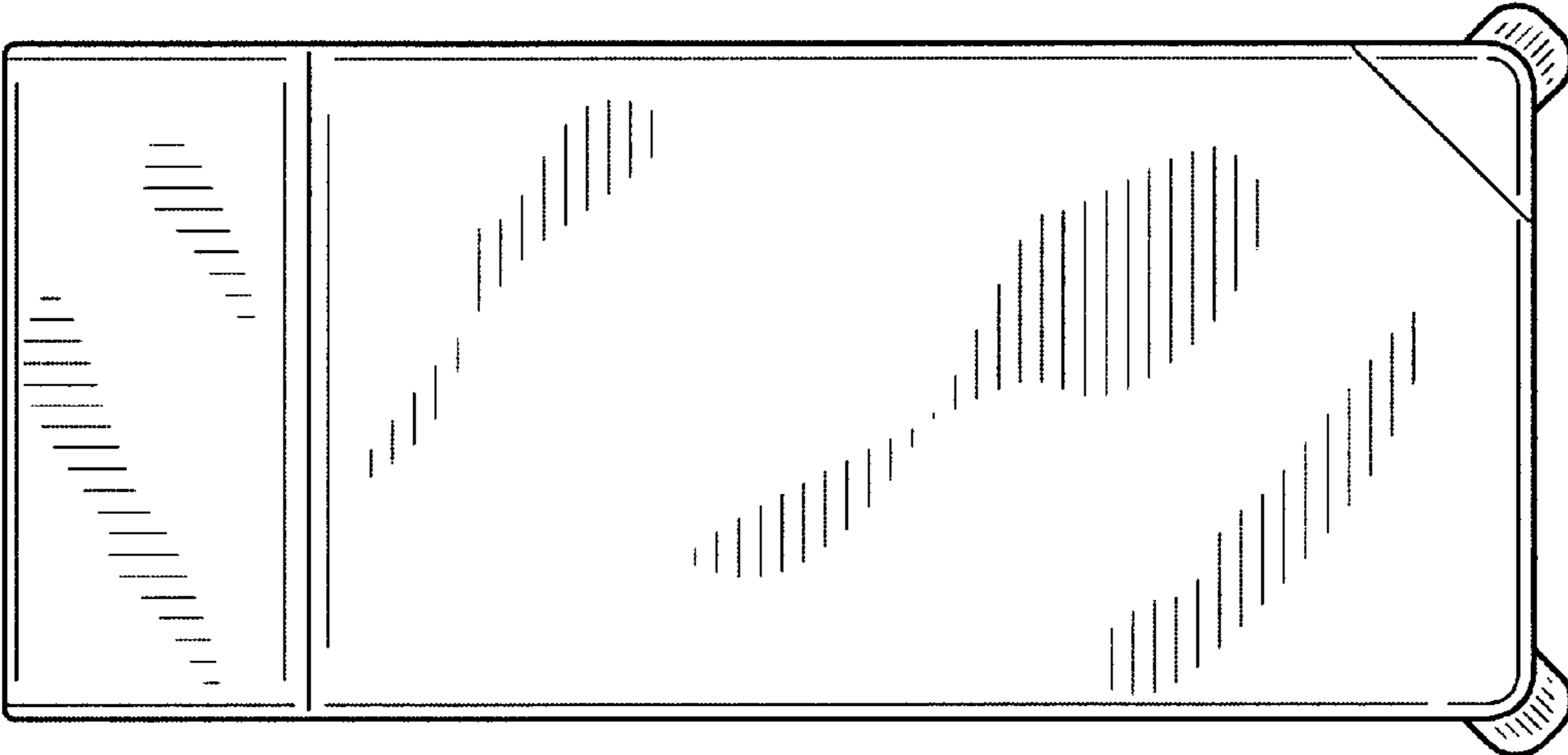
**FIG. 5**



**FIG. 6**



**FIG. 7**



**FIG. 8**

