



US00D510870S

(12) **United States Design Patent**  
**Kelly et al.**

(10) **Patent No.:** **US D510,870 S**  
(45) **Date of Patent:** **\*\* Oct. 25, 2005**

(54) **CONTAINER**

(75) Inventors: **Michael J. Kelly**, Red Lion, PA (US);  
**Ed Roubal**, Stewartstown, PA (US)

(73) Assignee: **Graham Packaging Company, L.P.**,  
York, PA (US)

(\*\*) Term: **14 Years**

(21) Appl. No.: **29/205,618**

(22) Filed: **May 19, 2004**

(51) **LOC (8) Cl.** ..... **09-01**

(52) **U.S. Cl.** ..... **D9/523; D9/563; D9/574**

(58) **Field of Search** ..... D9/652, 432, 516,  
D9/522-523, 526, 529-530, 541-544, 549-552,  
557-559, 560, 563-565, 570-575; 215/382-384,  
396, 398; 220/660, 662, 666, 669, 675

(56) **References Cited**

**U.S. PATENT DOCUMENTS**

D275,078 S	*	8/1984	Wassergord et al.	.....	D9/685
D282,051 S	*	1/1986	Cree	.....	D9/549
D289,376 S	*	4/1987	Nemits	.....	D9/523
4,877,142 A	*	10/1989	Doering	.....	215/382
D305,612 S	*	1/1990	Haworth	.....	D9/685
D309,100 S	*	7/1990	Beaver	.....	D9/523
D337,946 S	*	8/1993	Bridger et al.	.....	D9/523
D342,678 S	*	12/1993	Warner et al.	.....	D9/543
D372,428 S	*	8/1996	Malmquist	.....	D9/523
D385,794 S	*	11/1997	Goettner et al.	.....	D9/523

5,803,310 A	*	9/1998	Soon	.....	222/212 X
D402,553 S	*	12/1998	Webster et al.	.....	D9/523
5,915,578 A	*	6/1999	Burt	.....	215/250
5,918,753 A		7/1999	Ogg et al.		
D467,809 S	*	12/2002	Pouillot et al.	.....	D9/523

\* cited by examiner

*Primary Examiner*—Carol Rademaker

(74) *Attorney, Agent, or Firm*—Venable LLP; James R. Burdett; Catherine M. Voorhees

(57) **CLAIM**

The ornamental design for a container, as shown and described.

**DESCRIPTION**

FIG. 1 is a front perspective view of the container according to the invention;

FIG. 2 is a detail view of the upper portion of the container of FIG. 1, shown at an enlarged scale.

FIG. 3 is a rear perspective view of the container of FIG. 1, shown at the same scale as FIG. 1;

FIG. 4 is a left-side view of the container shown in FIG. 1;

FIG. 5 is a right-side view of the container shown in FIG. 1;

FIG. 6 is a front view of the container shown in FIG. 1;

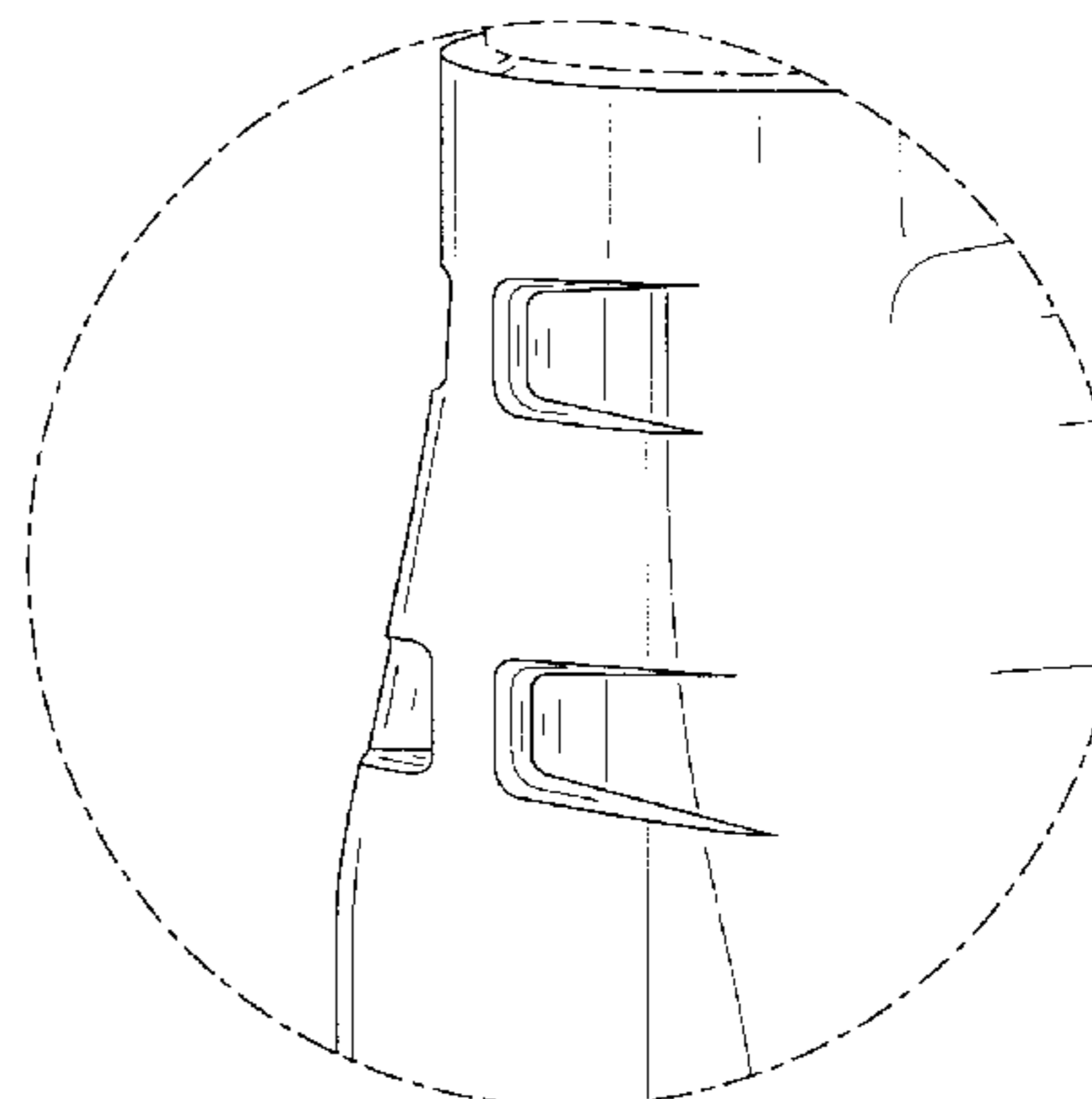
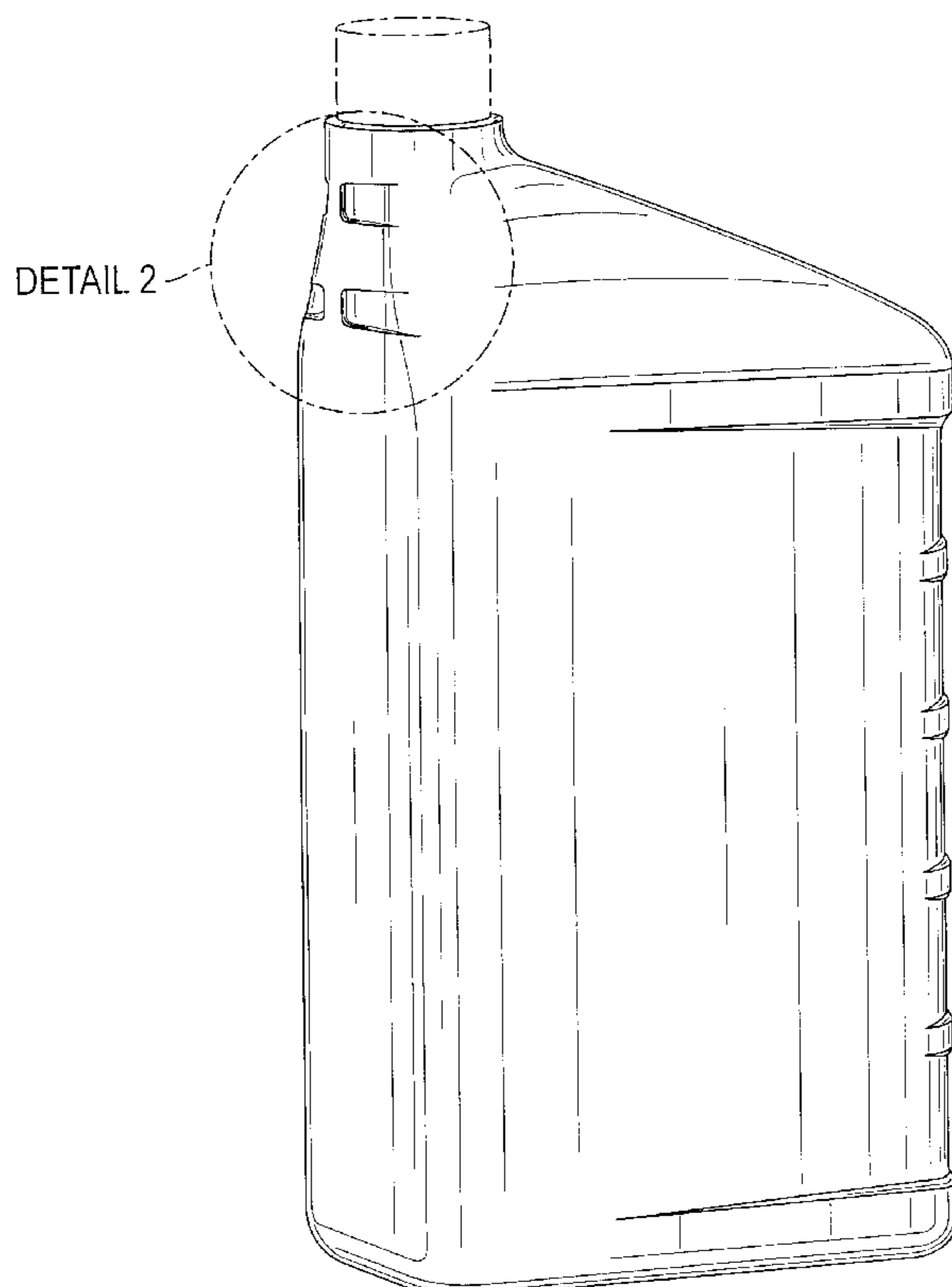
FIG. 7 is a rear view of the container shown in FIG. 1;

FIG. 8 is a top view of the container shown in FIG. 1; and,

FIG. 9 is a bottom view of the container shown in FIG. 1.

The broken line showing of the spout of the container is for illustrative purposes and forms no part of the design.

**1 Claim, 7 Drawing Sheets**



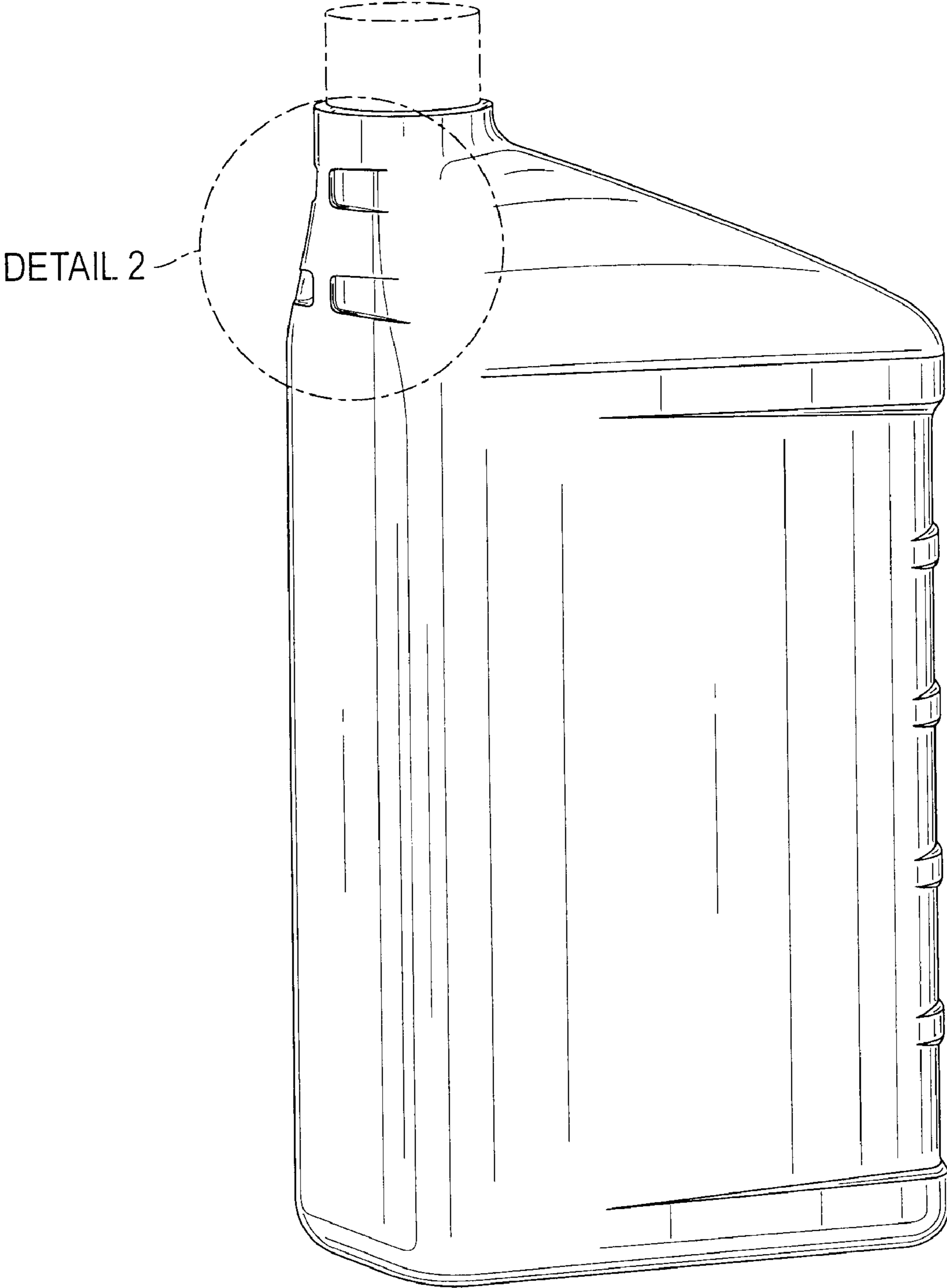


FIG. 1

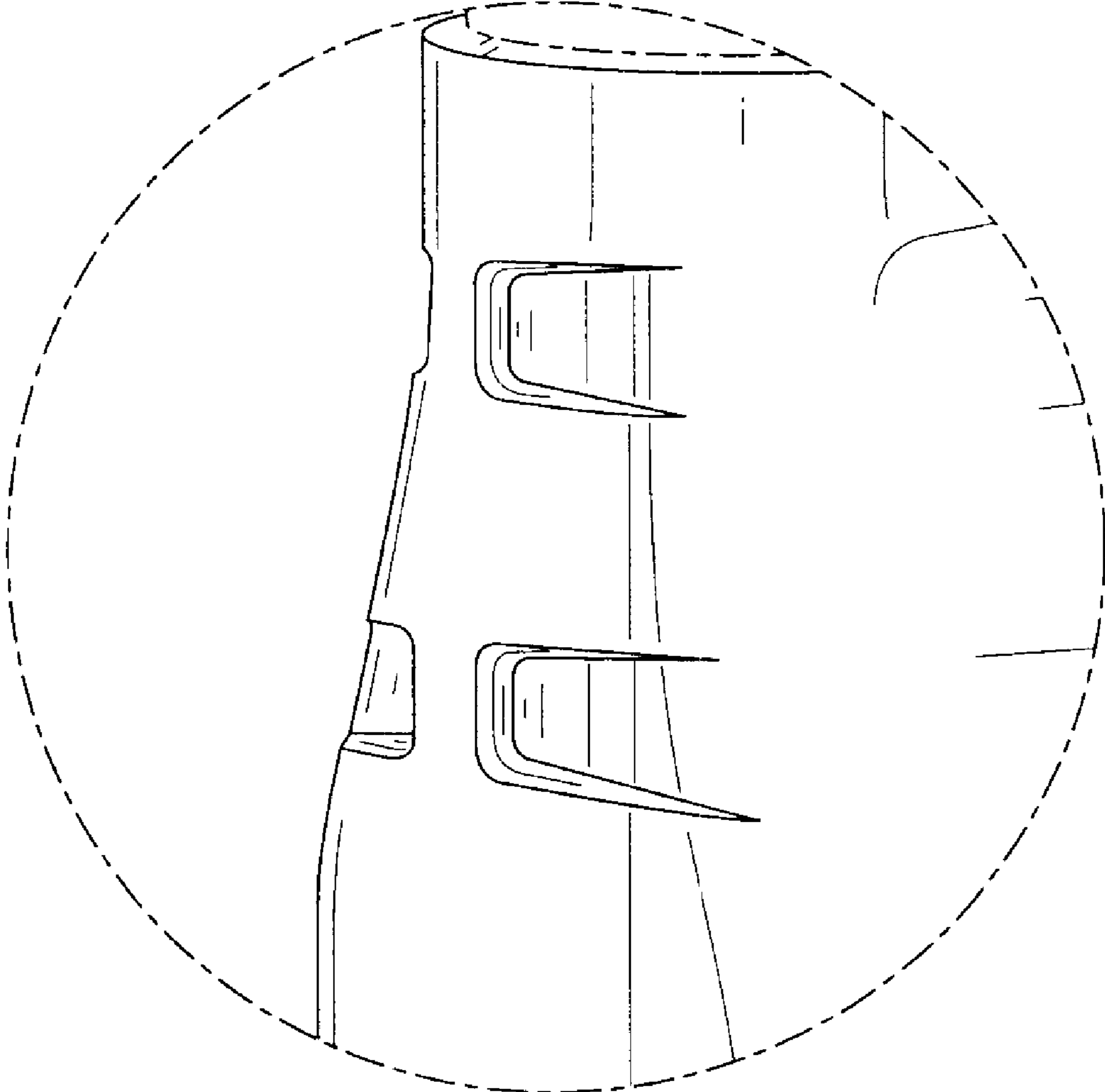


FIG. 2

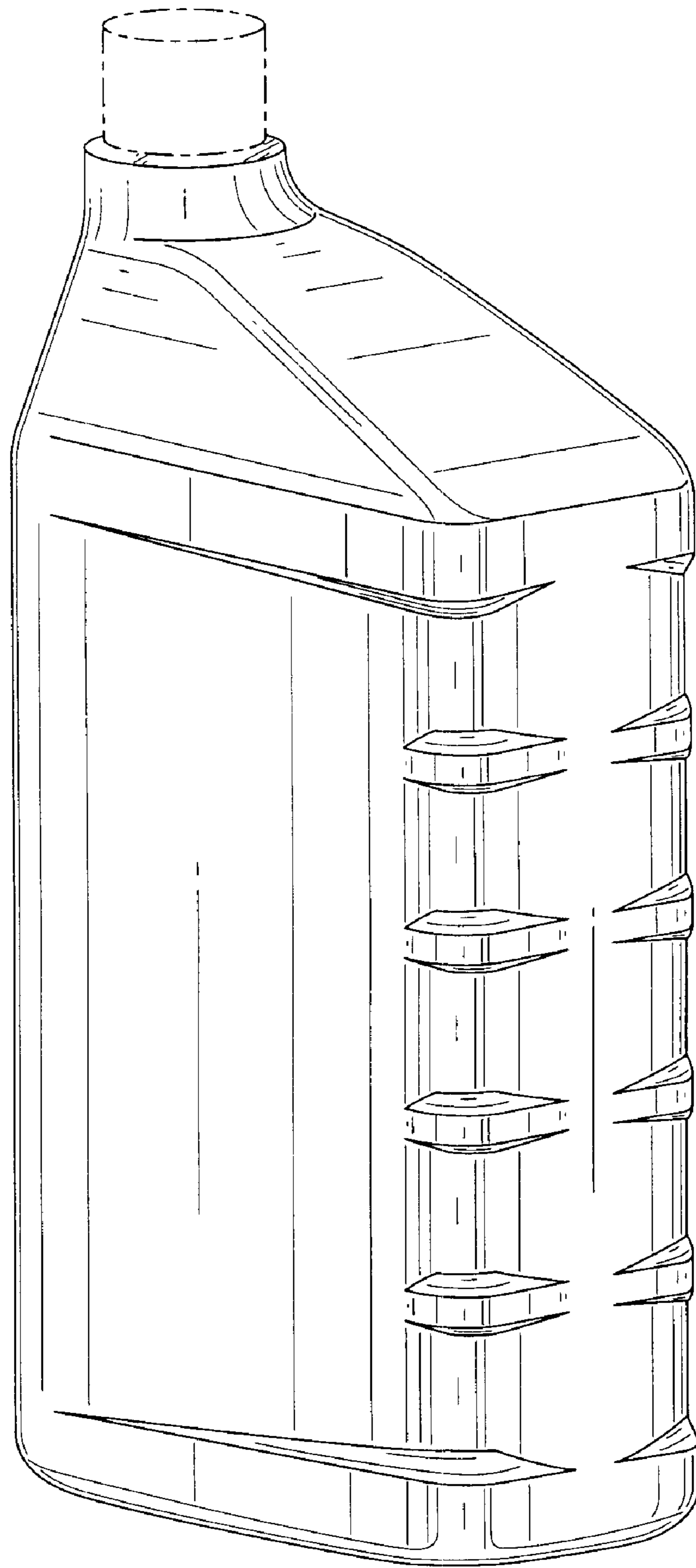


FIG. 3

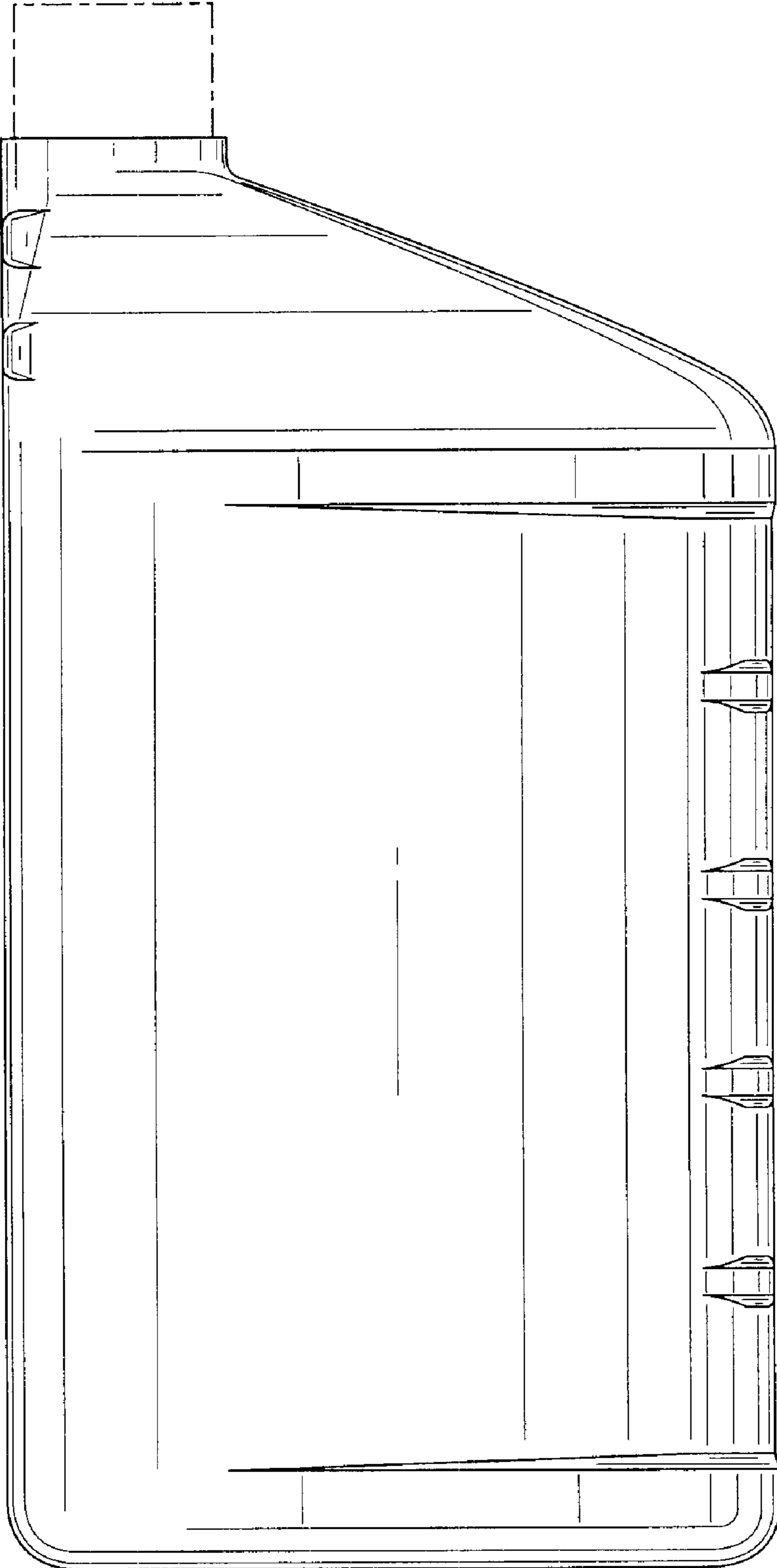


FIG. 4

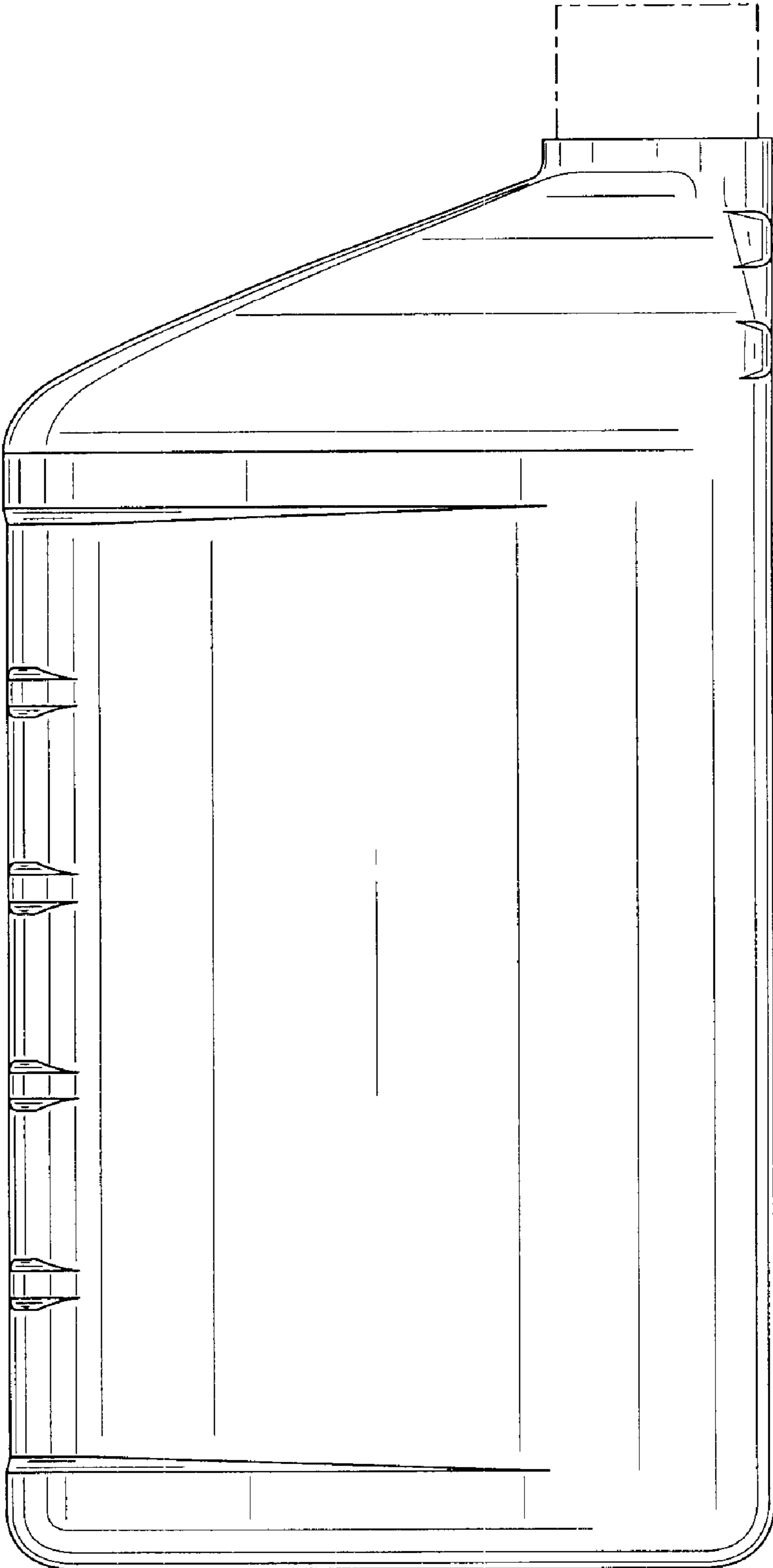


FIG. 5

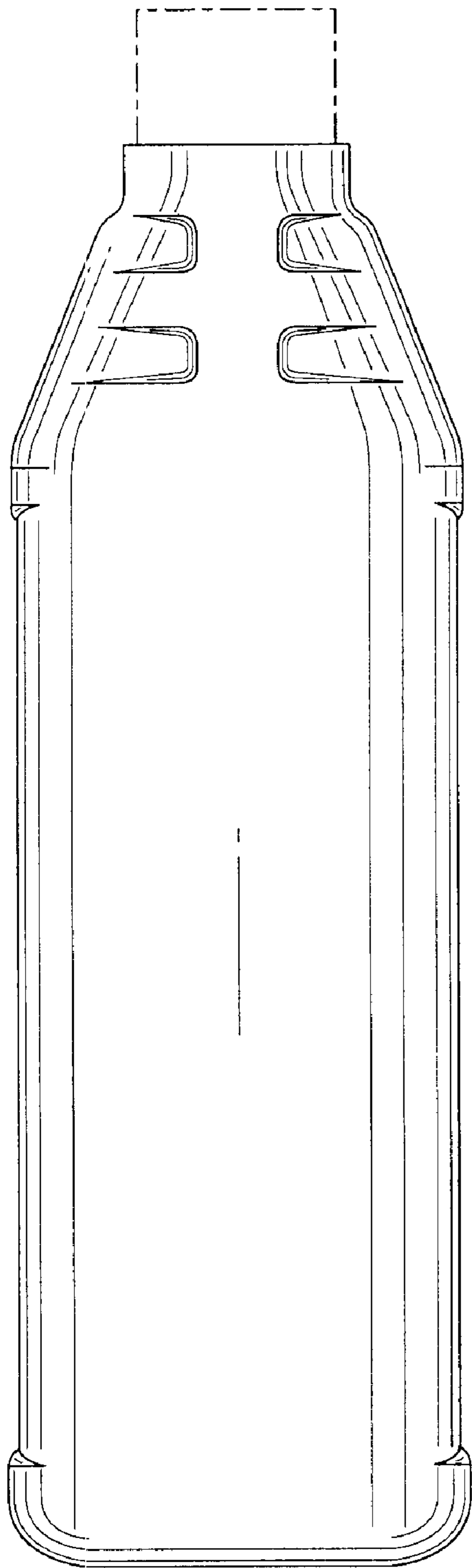


FIG. 6

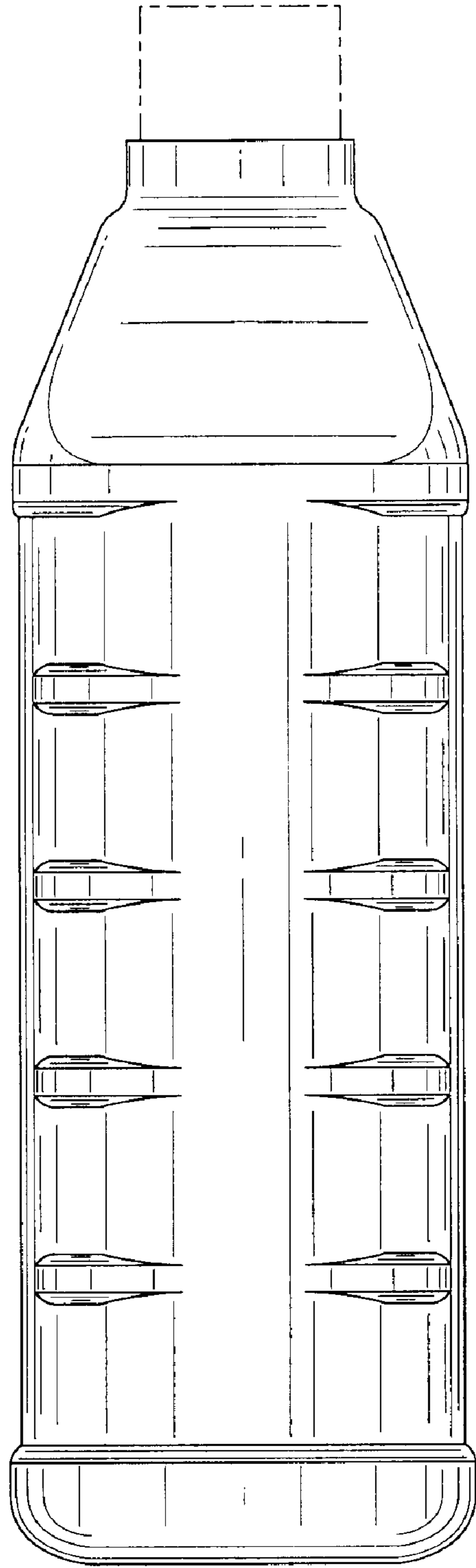


FIG. 7

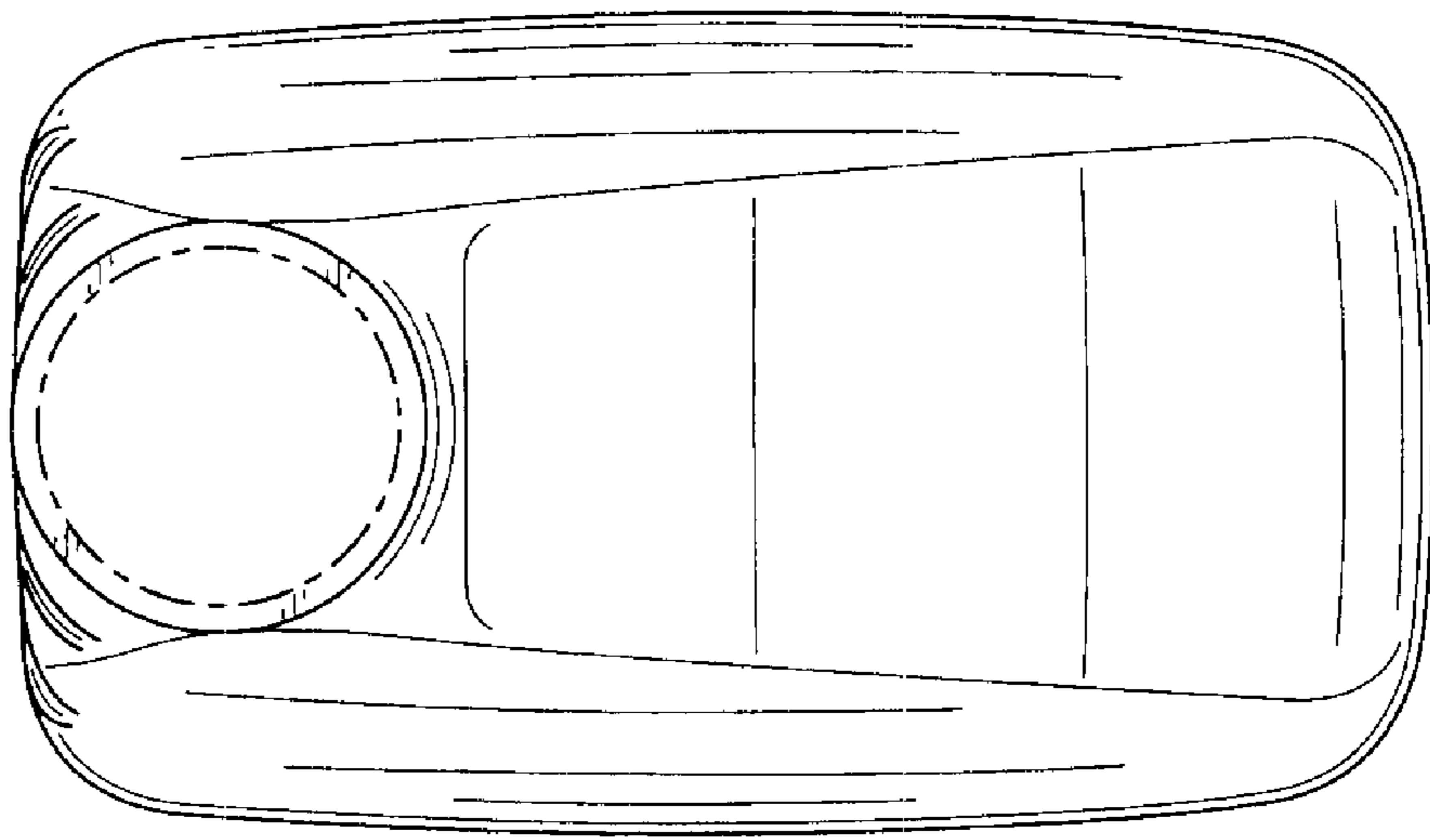


FIG. 8

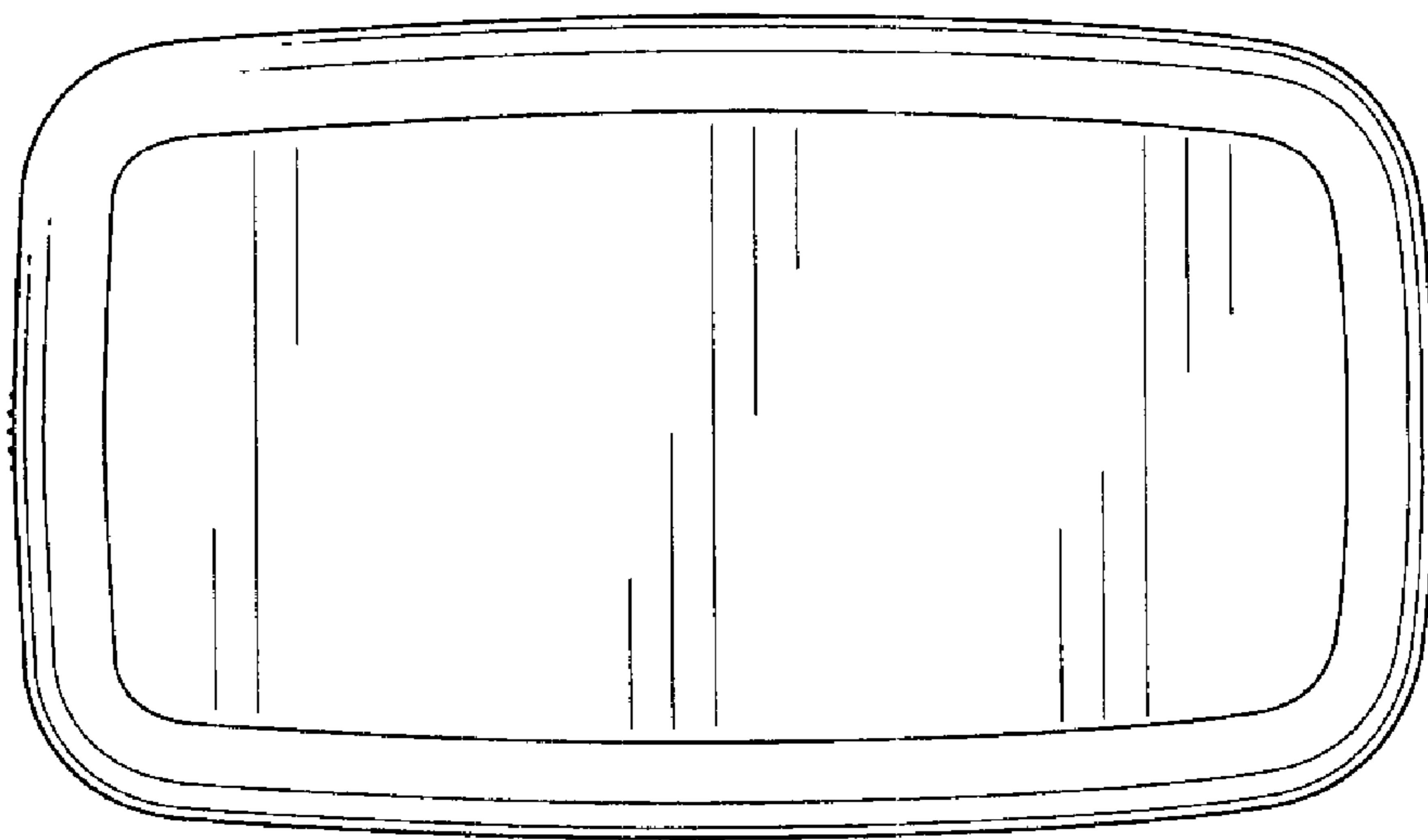


FIG. 9