



US00D510864S

(12) **United States Design Patent**
Morris et al.

(10) **Patent No.:** **US D510,864 S**
(45) **Date of Patent:** **** Oct. 25, 2005**

(54) **DISPENSER FOR AN AEROSOL CAN**

(75) Inventors: **Matthew Morris**, Montvale, NJ (US);
Ian Corkhill, Wayne, NJ (US);
Leonard Spitzer, Montvale, NJ (US)

(73) Assignee: **Rockitt Benckiser Inc.**, Wayne, NJ (US)

(**) Term: **14 Years**

(21) Appl. No.: **29/176,481**

(22) Filed: **Feb. 24, 2003**

(30) **Foreign Application Priority Data**

Aug. 28, 2002 (GB) 3006549

(51) **LOC (8) Cl.** **09-07**

(52) **U.S. Cl.** **D9/448**

(58) **Field of Search** D9/445-450, 435-436,
D9/440, 442, 452, 542, 537, 545, 550,
302, 503, 504, 505, 520, 529, 350, 300;
222/321, 107; 220/711, 339, 345, 714-715;
D7/392.1

(56) **References Cited**

U.S. PATENT DOCUMENTS

3,317,091 A * 5/1967 Focht 222/402.13

D378,802 S * 4/1997 Corcoran D9/448
D392,186 S * 3/1998 Smith D9/448
D406,763 S * 3/1999 Watkins et al. D9/448
D411,955 S * 7/1999 Richiger D9/448
D491,064 S * 6/2004 Miller et al. D9/448

* cited by examiner

Primary Examiner—Louis S. Zarfes

Assistant Examiner—Susan Bennett Hattan

(74) *Attorney, Agent, or Firm*—Norris McLaughlin & Marcus PA

(57) **CLAIM**

The ornamental design for a dispenser for an aerosol can, as shown and described.

DESCRIPTION

FIG. 1 is a perspective view of the dispenser for an aerosol can;

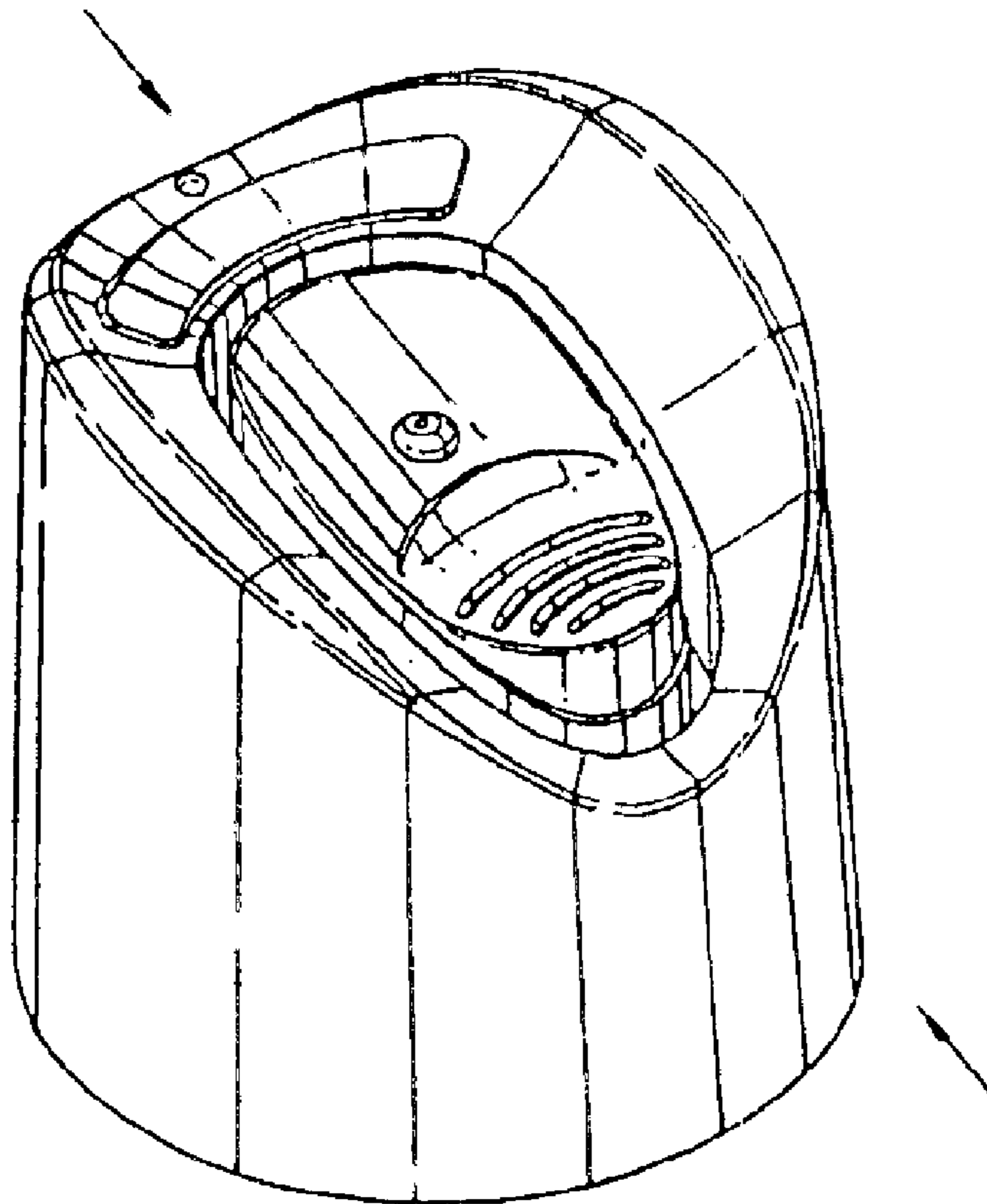
FIG. 2 is a top plan view of the top thereof;

FIG. 3 is an elevational view of one side thereof;

FIG. 4 is an elevational view of the side thereof along the arrow indicated in FIG. 1; and,

FIG. 5 is an elevational view of the other side thereof.

1 Claim, 2 Drawing Sheets



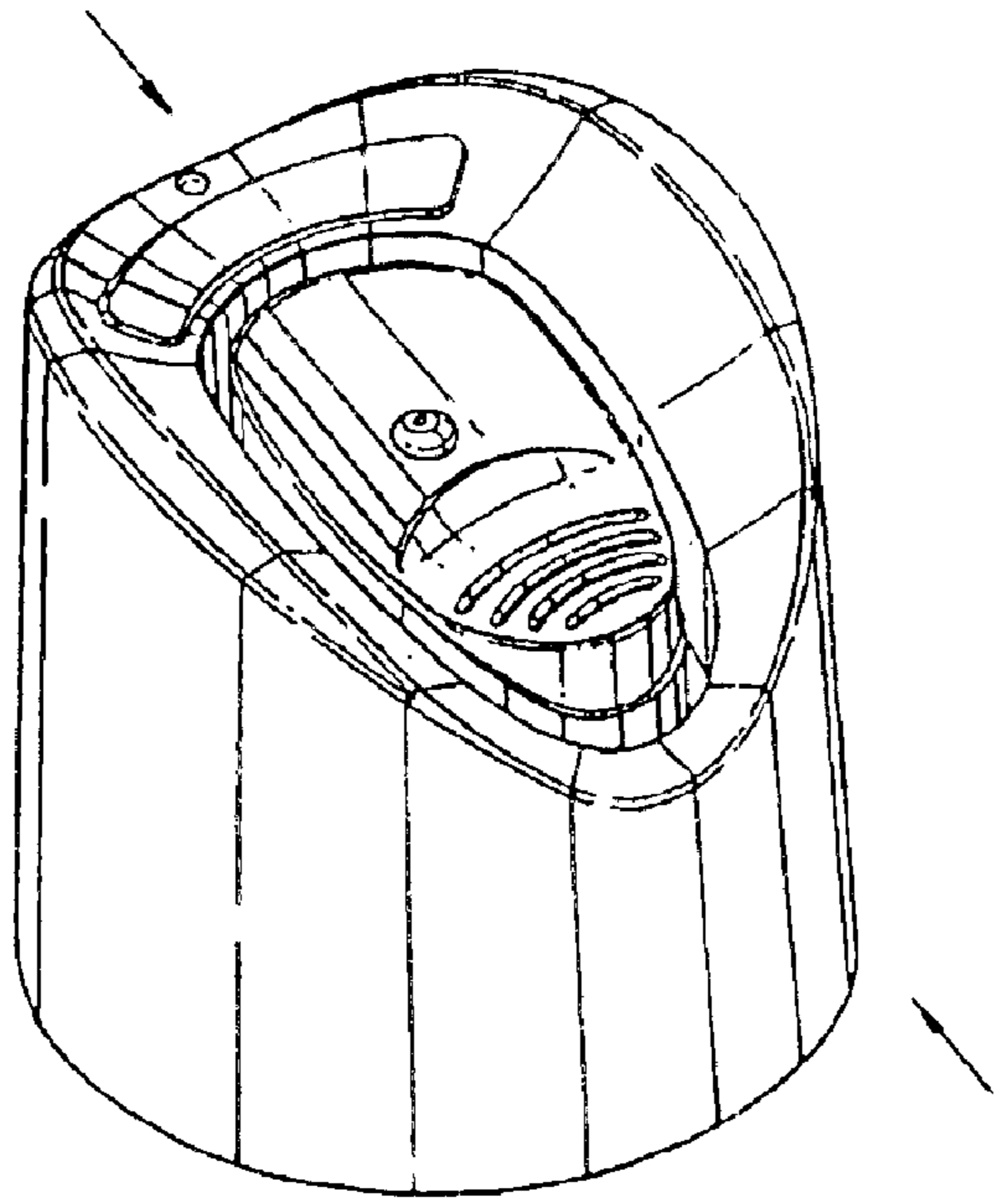


Fig.1.

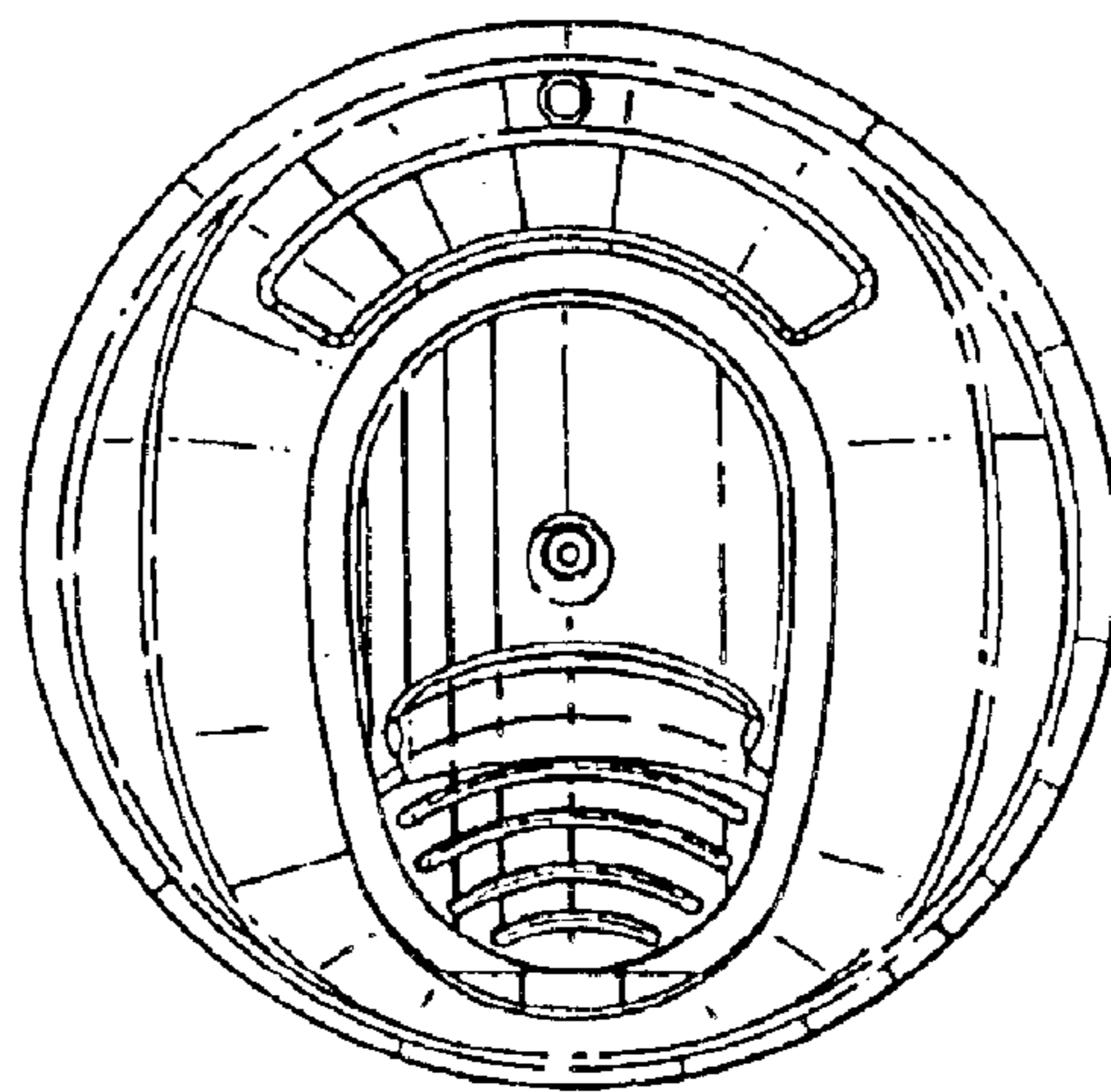


Fig.2.

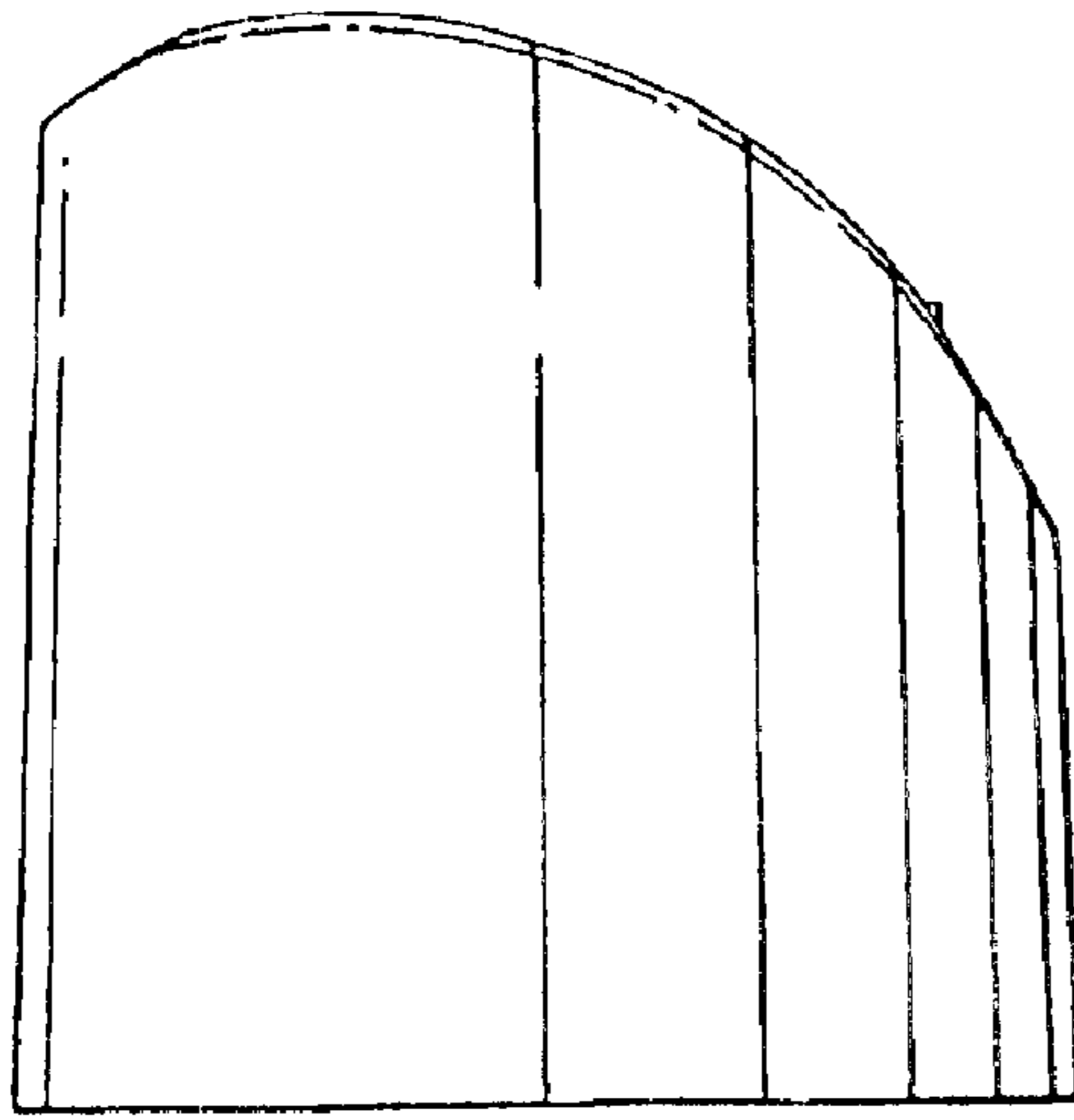


Fig.3.

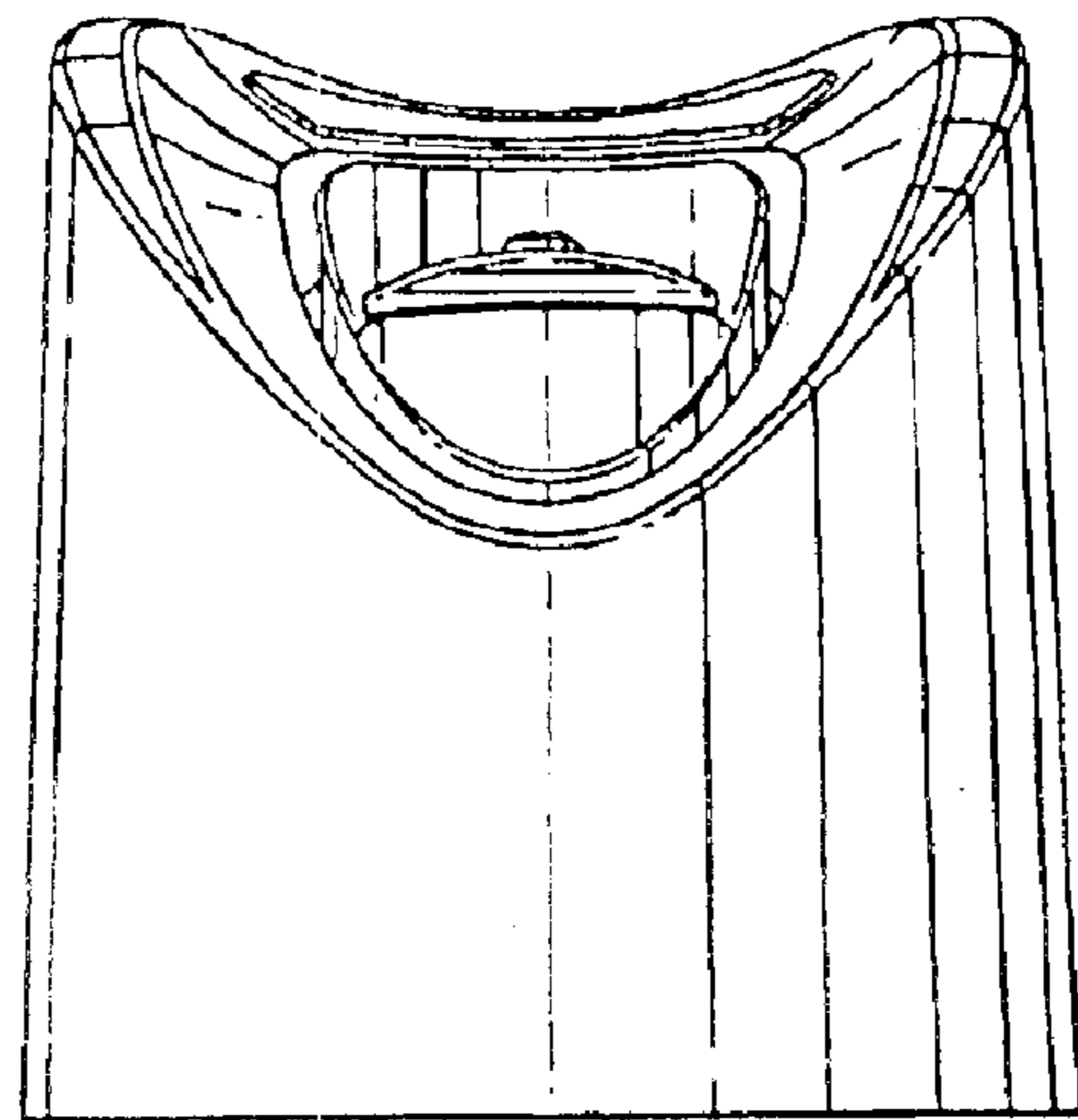


Fig.4.

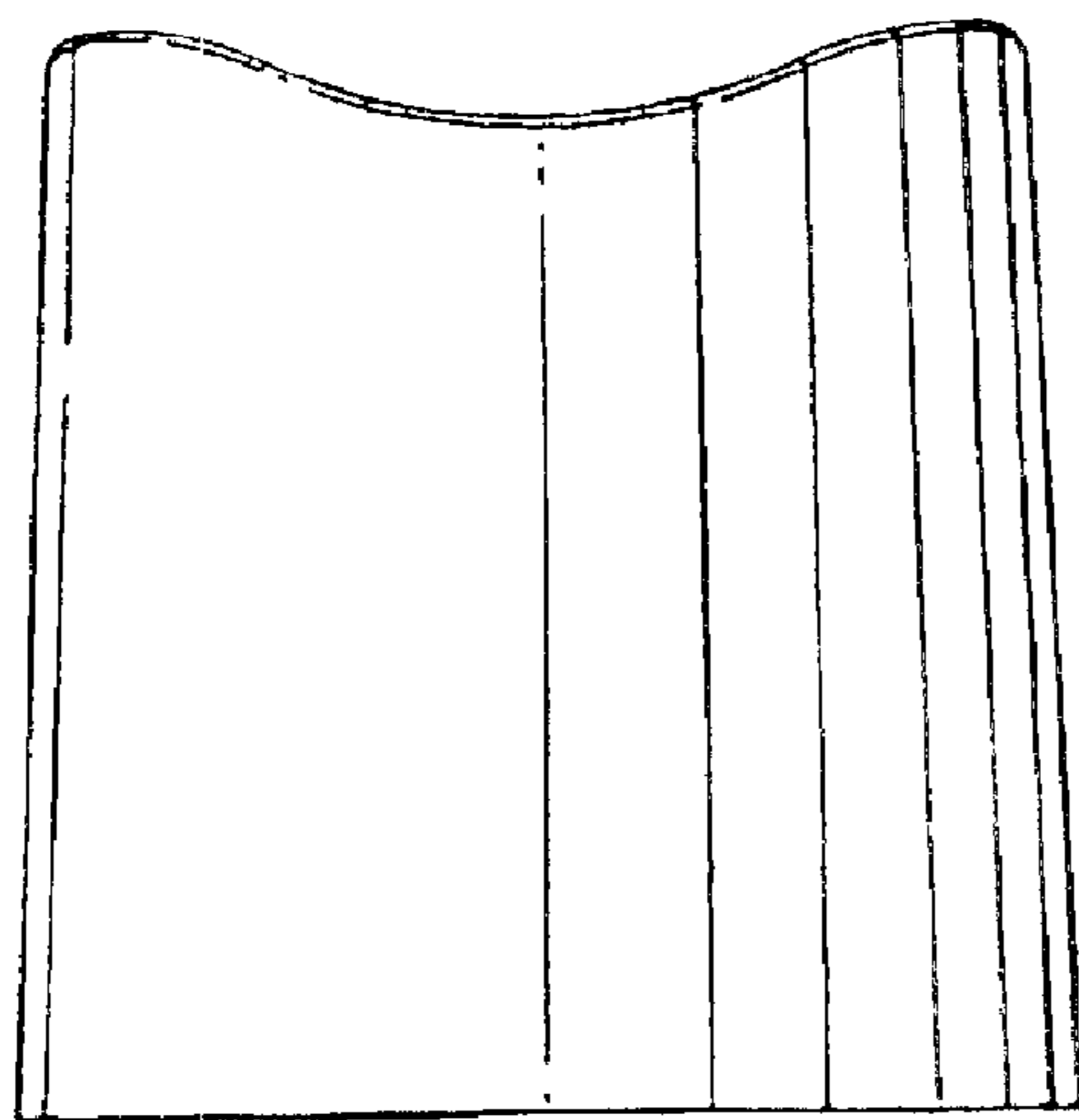


Fig.5.

UNITED STATES PATENT AND TRADEMARK OFFICE
CERTIFICATE OF CORRECTION

PATENT NO. : Des. 510,864 S
DATED : October 25, 2005
INVENTOR(S) : Matthew Morris, Ian Corkhill and Leonard Spitzer

Page 1 of 1

It is certified that error appears in the above-identified patent and that said Letters Patent is hereby corrected as shown below:

Title page.
Item [73], Assignee, should read -- **Reckitt Benckiser Inc.** --.

Signed and Sealed this

Seventeenth Day of January, 2006

A handwritten signature in black ink on a dotted background. The signature reads "Jon W. Dudas" in a cursive style.

JON W. DUDAS

Director of the United States Patent and Trademark Office