



US00D510862S

(12) **United States Design Patent**
Bretz et al.

(10) **Patent No.: US D510,862 S**

(45) **Date of Patent: ** *Oct. 25, 2005**

(54) **BOTTLE**

(75) Inventors: **John M. Bretz**, Crystal Lake, IL (US);
John L. Konieczka, Lake Barrington,
IL (US); **Scott A. Schoessel**, Evanston,
IL (US); **Jill Maine**, Chicago, IL (US);
Roland Charriez, Mohegan Lake, NY
(US)

(73) Assignee: **Stokely-Van Camp, Inc.**, Chicago, IL
(US)

(*) Notice: This patent is subject to a terminal dis-
claimer.

(**) Term: **14 Years**

(21) Appl. No.: **29/209,946**

(22) Filed: **Jul. 23, 2004**

Related U.S. Application Data

(62) Division of application No. 29/207,938, filed on Jun. 21,
2004, which is a continuation of application No. 29/169,364,
filed on Oct. 18, 2002, now abandoned.

(51) **LOC (8) Cl.** **09-07**

(52) **U.S. Cl.** **D9/434; D9/539; D9/554**

(58) **Field of Search** D9/600, 667, 434,
D9/500-504, 516-520, 537-543, 549-552,
556-564, 569-570; 215/379-383, 400;
220/890

(56) **References Cited**

U.S. PATENT DOCUMENTS

D61,658 S * 11/1922 Graham D9/538

D316,966 S * 5/1991 York D9/538
5,067,622 A 11/1991 Garver et al.
D391,493 S 3/1998 Panella et al.
6,016,932 A * 1/2000 Gaydosh et al. 215/382
D421,720 S * 3/2000 Eberle et al. D9/500
6,036,037 A * 3/2000 Scheffer et al. 215/381
6,044,996 A 4/2000 Carew et al.
D439,166 S * 3/2001 Denner et al. D9/538
D461,418 S * 8/2002 Lichtman et al. D9/539
D465,158 S * 11/2002 Peek et al. D9/538

* cited by examiner

Primary Examiner—Sandra L. Morris

(74) *Attorney, Agent, or Firm*—Lars S. Johnson; James S.
Ryndak

(57) **CLAIM**

The ornamental design for a bottle, as shown and described.

DESCRIPTION

FIG. 1 is a perspective view of a bottle showing the new
design;

FIG. 2 is an elevational view thereof, the opposite eleva-
tional view being identical;

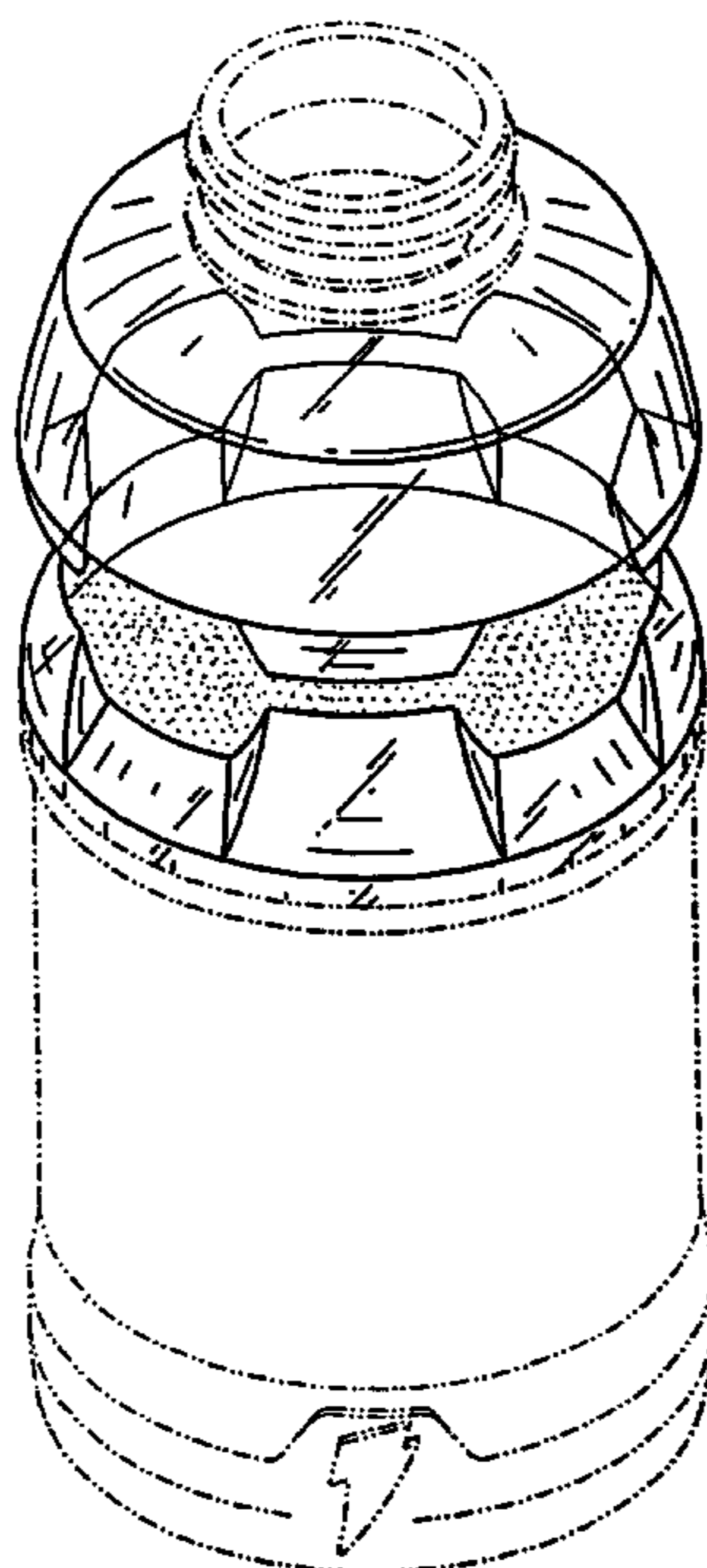
FIG. 3 is another elevational view thereof, representing a
partial rotation of the bottle about its vertical axis from the
elevational view depicted in FIG. 2, the opposite elevational
view being identical;

FIG. 4 is a top plan view thereof; and,

FIG. 5 is a bottom plan view thereof.

The broken line showing is for illustrative purposes only,
and forms no part of the claimed design.

1 Claim, 3 Drawing Sheets



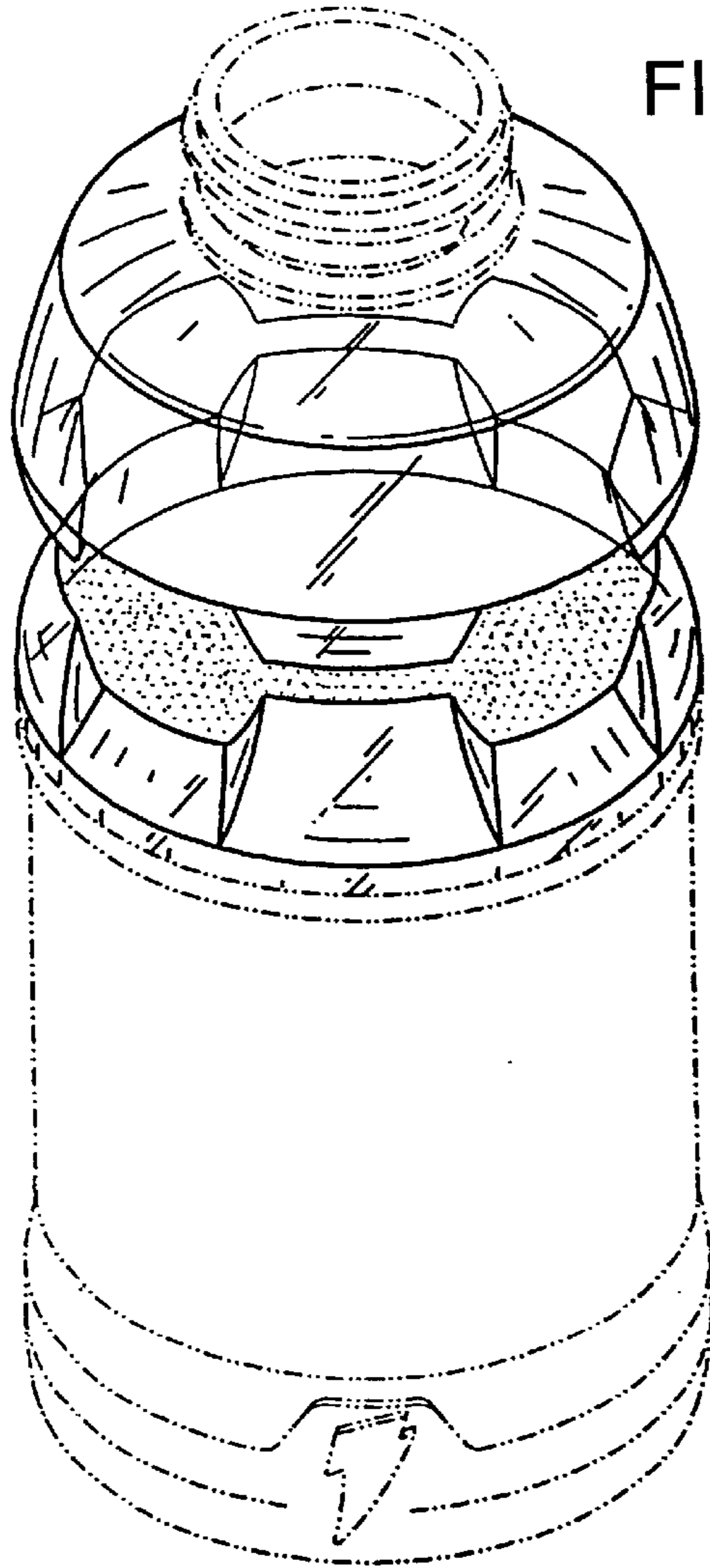


FIG. 1

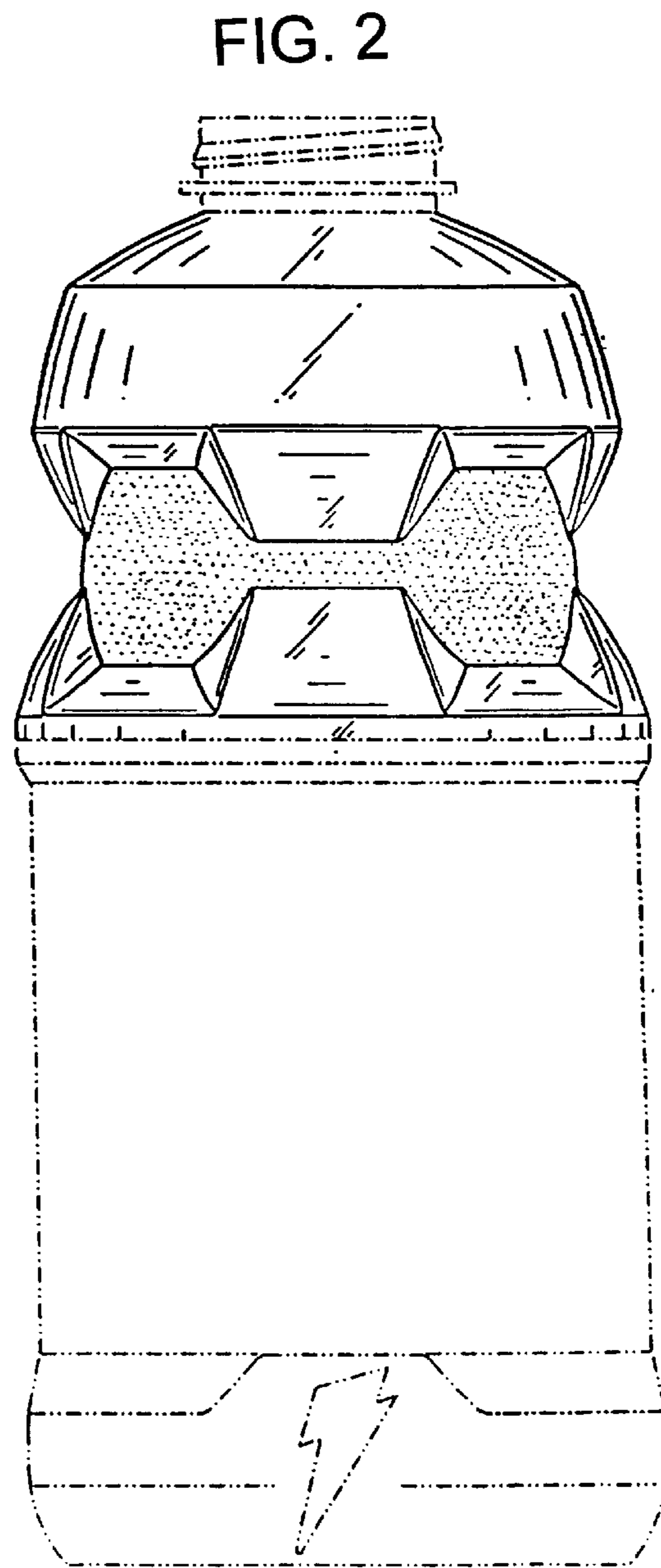


FIG. 2

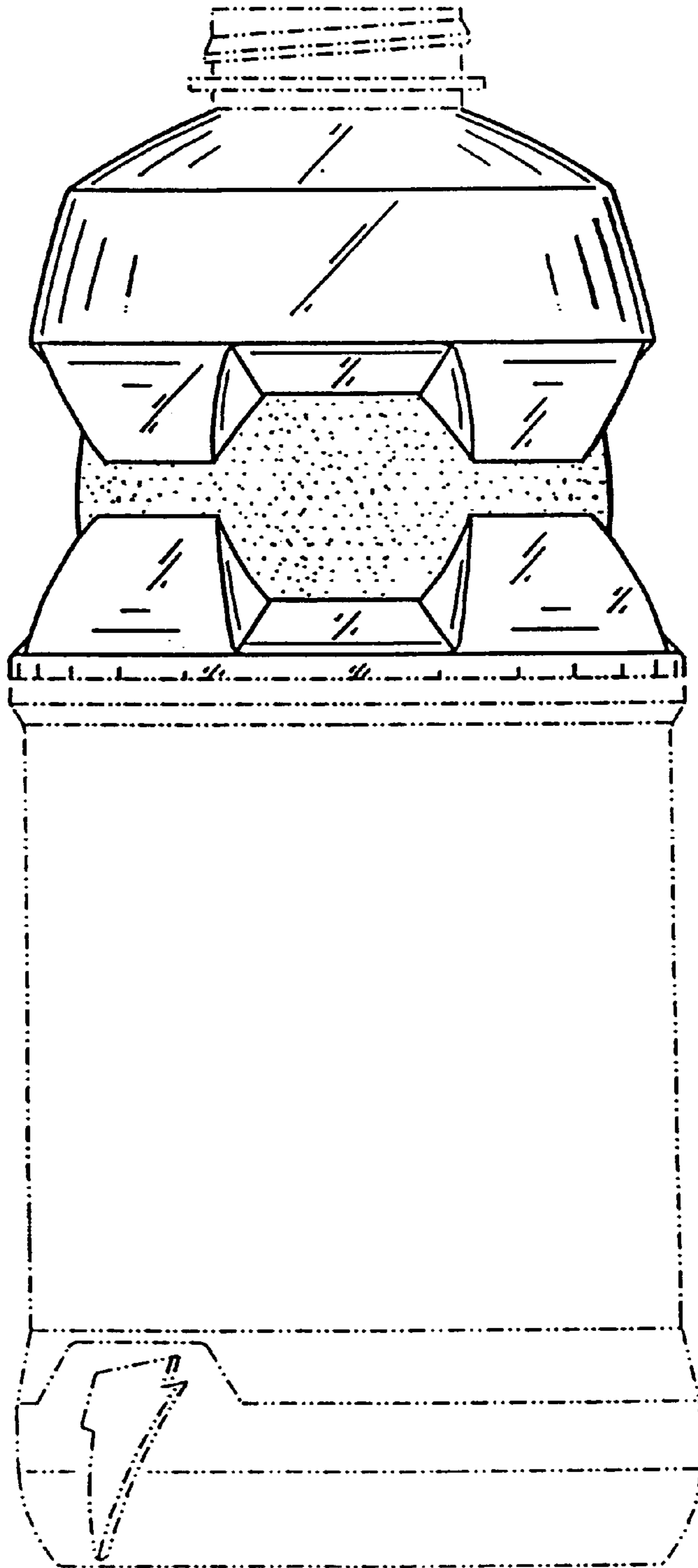


FIG. 3

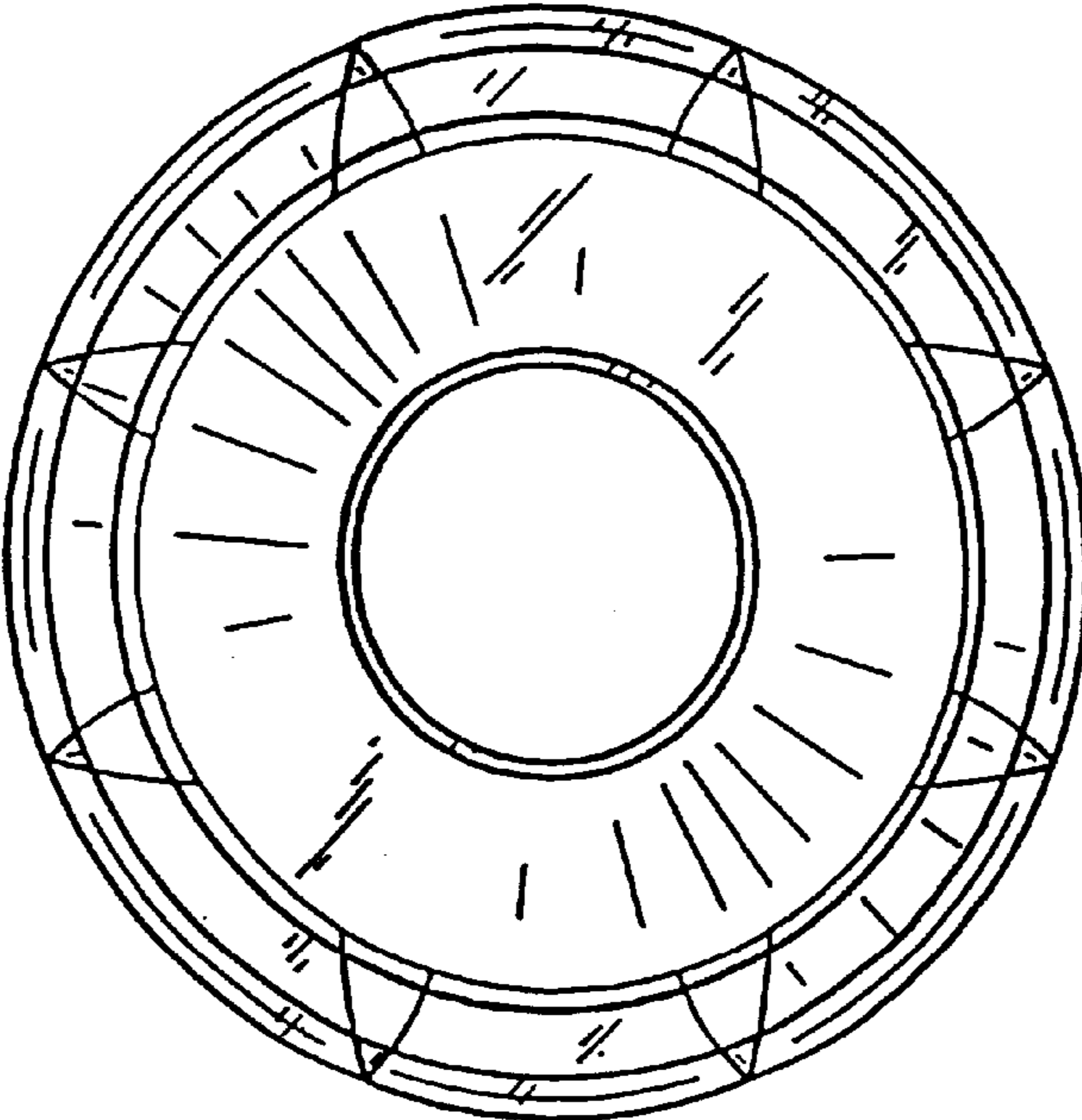


FIG. 4

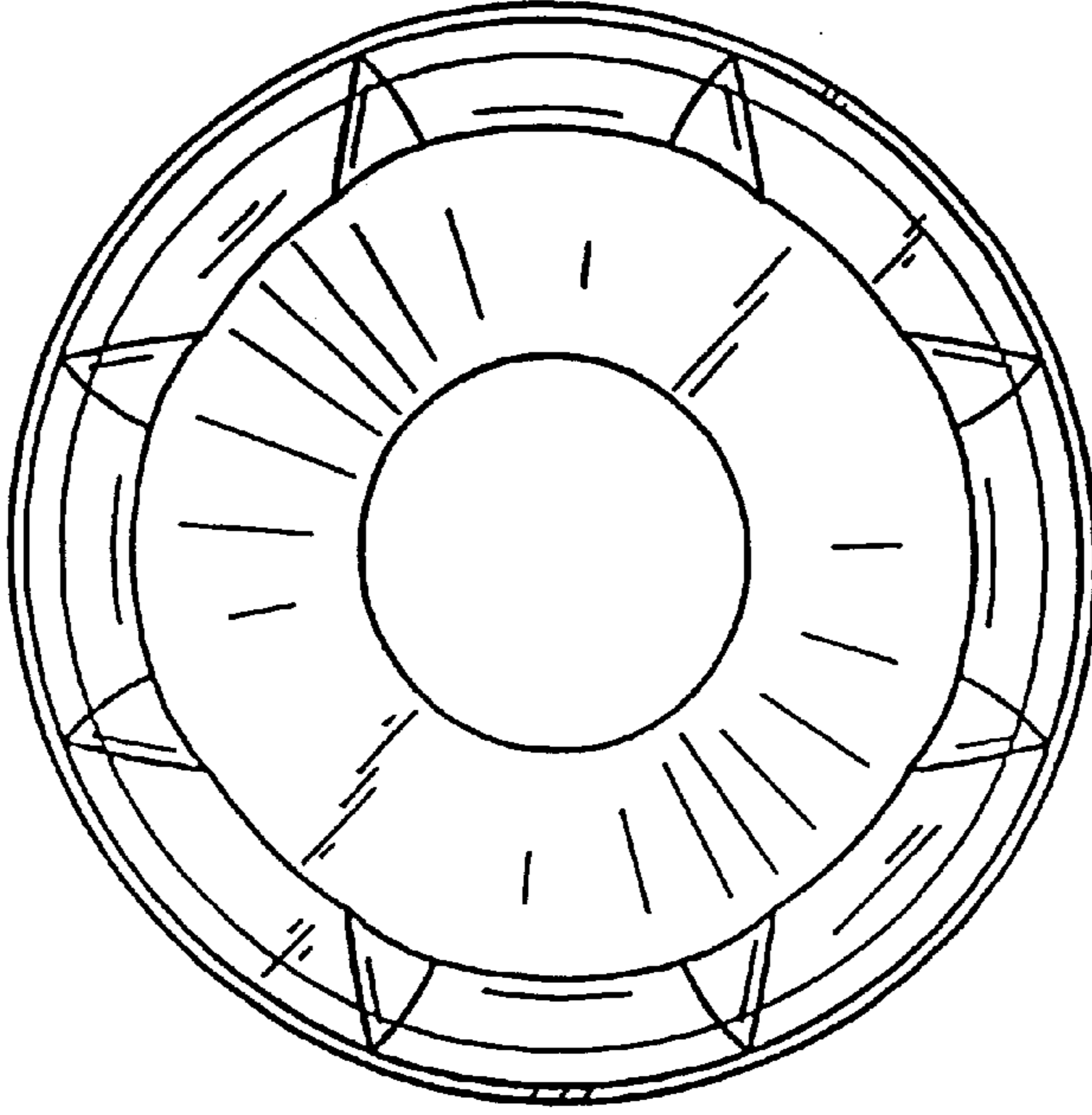


FIG. 5