



US00D510861S

(12) **United States Design Patent** (10) **Patent No.:** **US D510,861 S**
Burr et al. (45) **Date of Patent:** **** Oct. 25, 2005**

(54) **HANDLE**
 (75) Inventors: **Brian M. Burr**, Oceanside, CA (US);
Carl Wesley Truly, Oceanside, CA (US)

5,487,582 A 1/1996 Bourgeois et al.
 5,599,052 A 2/1997 Van Davelaar
 D380,382 S 7/1997 Rhone et al.
 5,658,029 A 8/1997 Franko
 D395,602 S 6/1998 Sakko

(Continued)

(73) Assignee: **Grabb-It Inc.**, Oceanside, CA (US)
 (**) Term: **14 Years**

FOREIGN PATENT DOCUMENTS

(21) Appl. No.: **29/189,053**

AT	196775	3/1958
CA	2051019	3/1993
DE	3528037 A1	2/1987
DE	3918355 A1	12/1990
EP	0 085 524 A1	8/1983
GB	2 147 800 A	5/1985
GB	2 241 432 A	9/1991
GB	2 246 285 A	1/1992
GB	2 255 497 A	11/1992

(22) Filed: **Aug. 27, 2003**

(51) **LOC (8) Cl.** **09-07**

(52) **U.S. Cl.** **D9/434**

(58) **Field of Search** D9/434, 433, 432;
220/528; 229/117.16, 117.9, 117.17, 103,
103.3, 116.1, 5.5, 906, 122; 294/171, 137

OTHER PUBLICATIONS

(56) **References Cited**

European Search Report for EP 0 085 524 A1, Podes, May 9, 1983.
 Lundstrum, Meg, Raising the Roof with Floor Ads, Business Week, Sep. 16, 1999, The McGraw.

U.S. PATENT DOCUMENTS

1,691,467 A	11/1928	Carver
2,215,116 A	9/1940	Crary
2,274,605 A	2/1942	Hoffmeister
2,501,037 A	3/1950	Fox
2,796,210 A	6/1957	Phillips
3,314,592 A	4/1967	Streich
D227,660 S	7/1973	Konno
3,804,323 A	4/1974	Bemel
D239,919 S	5/1976	Wilson
4,262,385 A	4/1981	Norman
4,417,609 A	11/1983	Sherwood
4,617,215 A	10/1986	Telesco
4,796,940 A	1/1989	Rimland
D307,712 S	5/1990	Ralls et al.
4,920,675 A	5/1990	Mashimo
4,932,702 A	6/1990	Sweeny
4,982,989 A	1/1991	Sweeny
5,005,891 A	4/1991	Lunsford
D317,246 S	6/1991	Driscoll
D325,156 S	4/1992	Sweeny
5,257,845 A	11/1993	McConnell
5,368,393 A	11/1994	Normann
5,425,497 A	6/1995	Sorensen
D363,876 S	11/1995	Morissette

Primary Examiner—Gary D. Watson
Assistant Examiner—Susan Bennett-Hattan
 (74) *Attorney, Agent, or Firm*—kilpatrick Stockton LLP

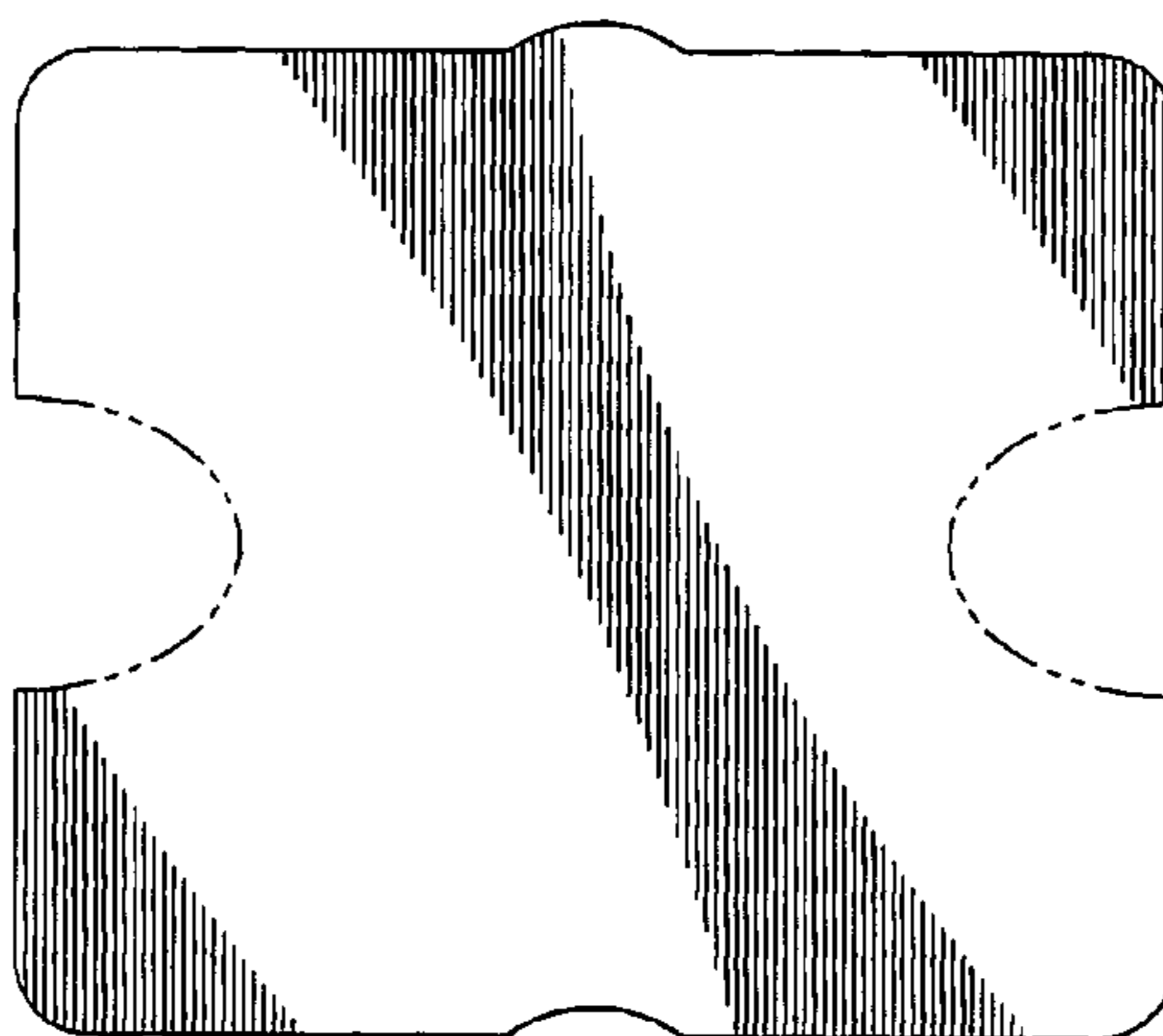
(57) **CLAIM**

The ornamental design for a handle, as shown and described.

DESCRIPTION

FIG. 1 is a top view of a handle showing our new design in an unfolded condition, the bottom view being the same; FIG. 2 is a front edge view thereof; FIG. 3 is a rear edge view thereof; FIG. 4 is a right edge view thereof, the left edge view being the same; and, FIG. 5 is a perspective view thereof, showing the handle in a folded condition.
 The broken lines of the handle are for illustrative purposes only, and from no part of the claimed design.

1 Claim, 2 Drawing Sheets



US D510,861 S

Page 2

U.S. PATENT DOCUMENTS

5,775,757 A	7/1998	Tipp		6,056,344 A *	5/2000	Forsyth	294/171
5,803,522 A *	9/1998	Lisbon	D438,797 S	3/2001	Bozlee		
5,865,494 A *	2/1999	Tipp	D442,085 S	5/2001	Bozlee		
5,881,432 A	3/1999	Good		D451,389 S	12/2001	Bozlee		
D408,259 S	4/1999	Hagen		D451,390 S	12/2001	Bozlee		
D410,385 S *	6/1999	Bjornholt	D451,391 S	12/2001	Bozlee		
5,992,803 A	11/1999	LeRoux		6,354,645 B2	3/2002	Bozlee		
5,996,180 A	12/1999	Eisenzopf						

* cited by examiner

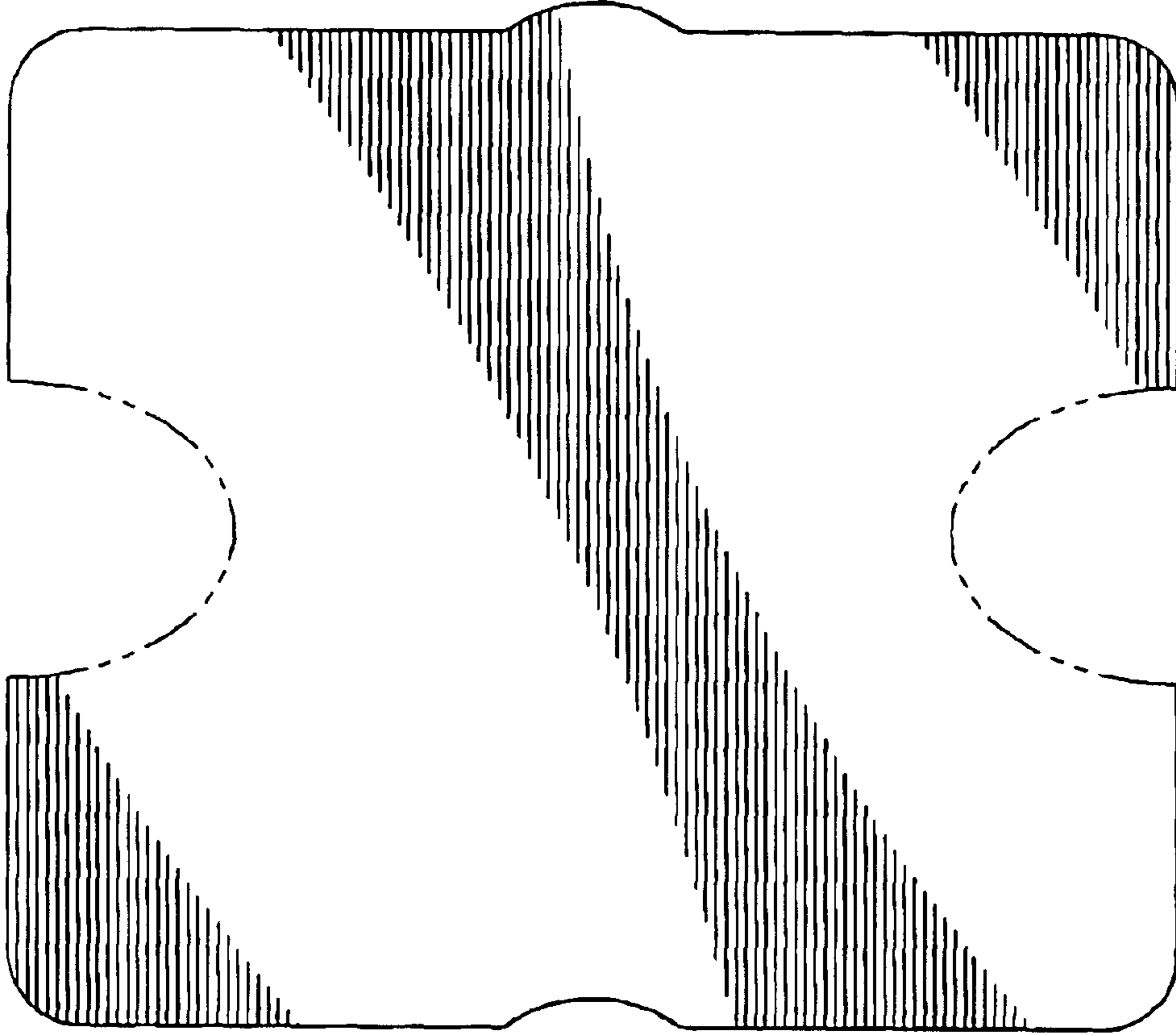


FIG. 1



FIG. 2



FIG. 3



FIG. 4

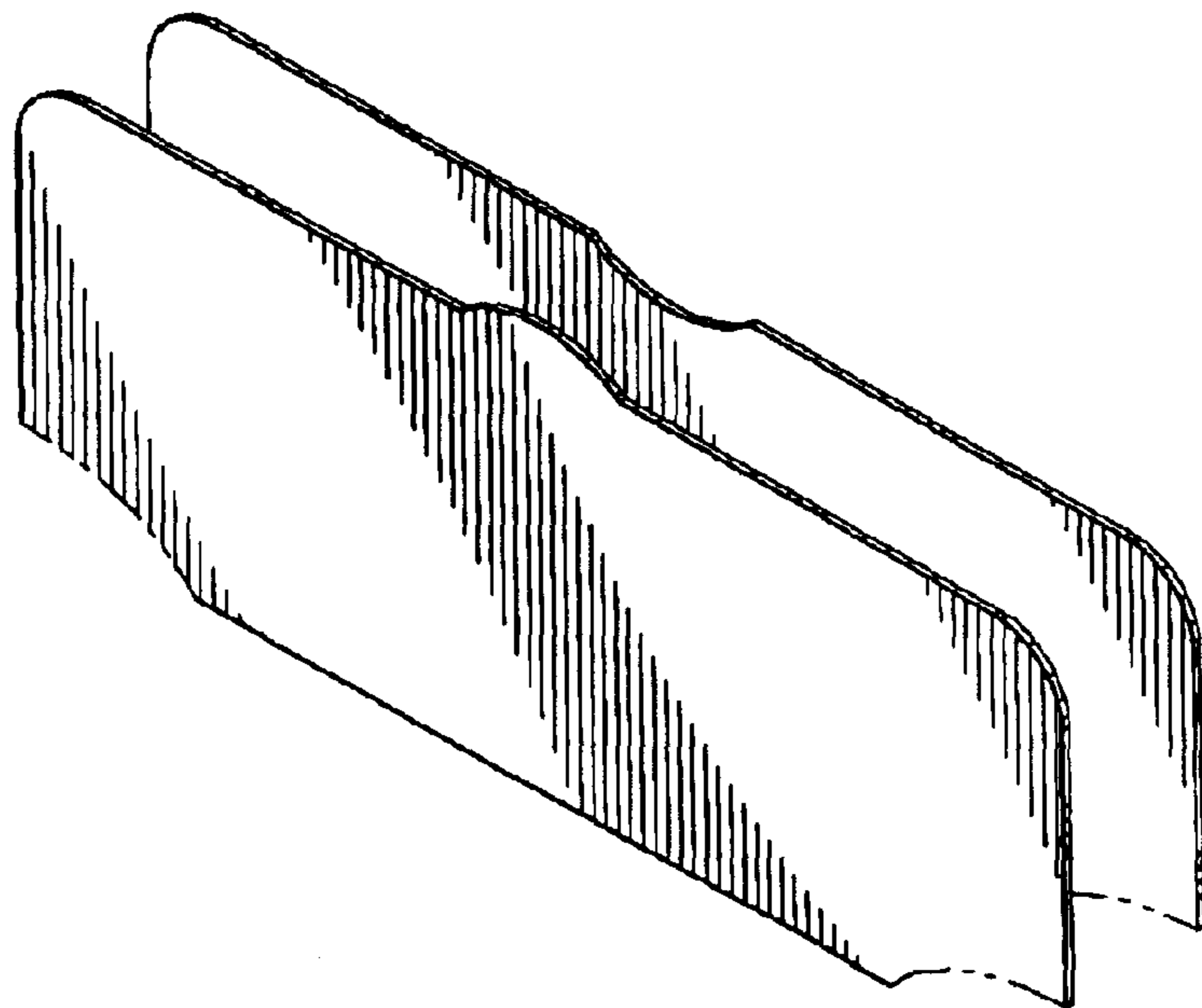


FIG. 5