



US00D510858S

(12) **United States Design Patent**
Onishi

(10) **Patent No.:** **US D510,858 S**

(45) **Date of Patent:** **** Oct. 25, 2005**

(54) **LUG NUT SHELL**

(75) **Inventor:** **Tamie Onishi**, Shizuoka (JP)

(73) **Assignee:** **Yamaha Corporation**, Shizuoka (JP)

(**) **Term:** **14 Years**

(21) **Appl. No.:** **29/185,309**

(22) **Filed:** **Jun. 26, 2003**

(30) **Foreign Application Priority Data**

Dec. 27, 2002 (JP) 2002-036459

(51) **LOC (8) Cl.** **08-08**

(52) **U.S. Cl.** **D8/397**

(58) **Field of Search** D8/382, 387, 397,
D8/398, 399; 411/81, 98, 103, 106, 145,
146, 172, 179, 197, 204, 248, 337, 338,
368, 371.2, 372.5, 418, 427, 429, 430,
431, 432, 436, 437, 500, 511, 512, 514,
531, 532, 533, 535, 536, 537, 538, 542,
544, 918, 928; 70/229; 301/35.623, 111.01

(56) **References Cited**

U.S. PATENT DOCUMENTS

1,548,076 A * 8/1925 Wallen 411/146
2,331,322 A * 10/1943 Heinick 411/103

D280,598 S * 9/1985 Serfas et al. D8/397
D322,929 S * 1/1992 Abbestam et al. D8/397
6,672,547 B1 * 1/2004 Westerberg et al. 411/197

* cited by examiner

Primary Examiner—Gary D. Watson

Assistant Examiner—T. Chase Nelson

(74) *Attorney, Agent, or Firm*—Sughrue Mion, PLLC

(57) **CLAIM**

The ornamental design for a lug nut shell, as shown and described.

DESCRIPTION

FIG. 1 is a perspective view of the top, front and right side of a lug nut shell showing my new design; FIG. 2 is a front elevational view thereof; FIG. 3 is a top plan view thereof; FIG. 4 is a bottom plan view thereof; FIG. 5 is a left side elevational view thereof; FIG. 6 is a right side elevational view thereof; FIG. 7 is a rear elevational view thereof; and, FIG. 8 is a view of the lug nut shell depicted in condition of use in position on a drum.

The elements shown in broken lines are for illustrative purposes only and form no part of the claimed design.

1 Claim, 3 Drawing Sheets

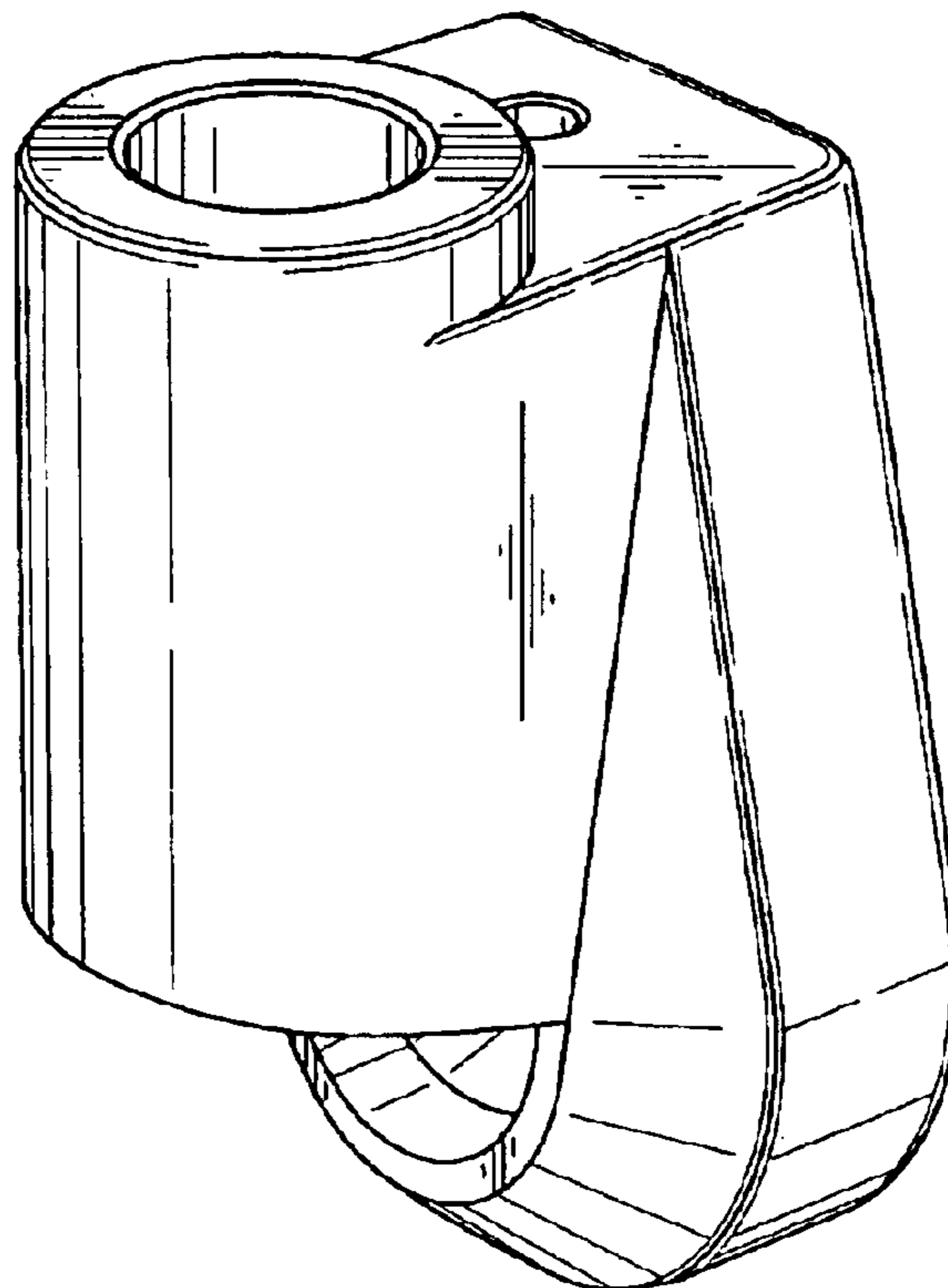


FIG. 1

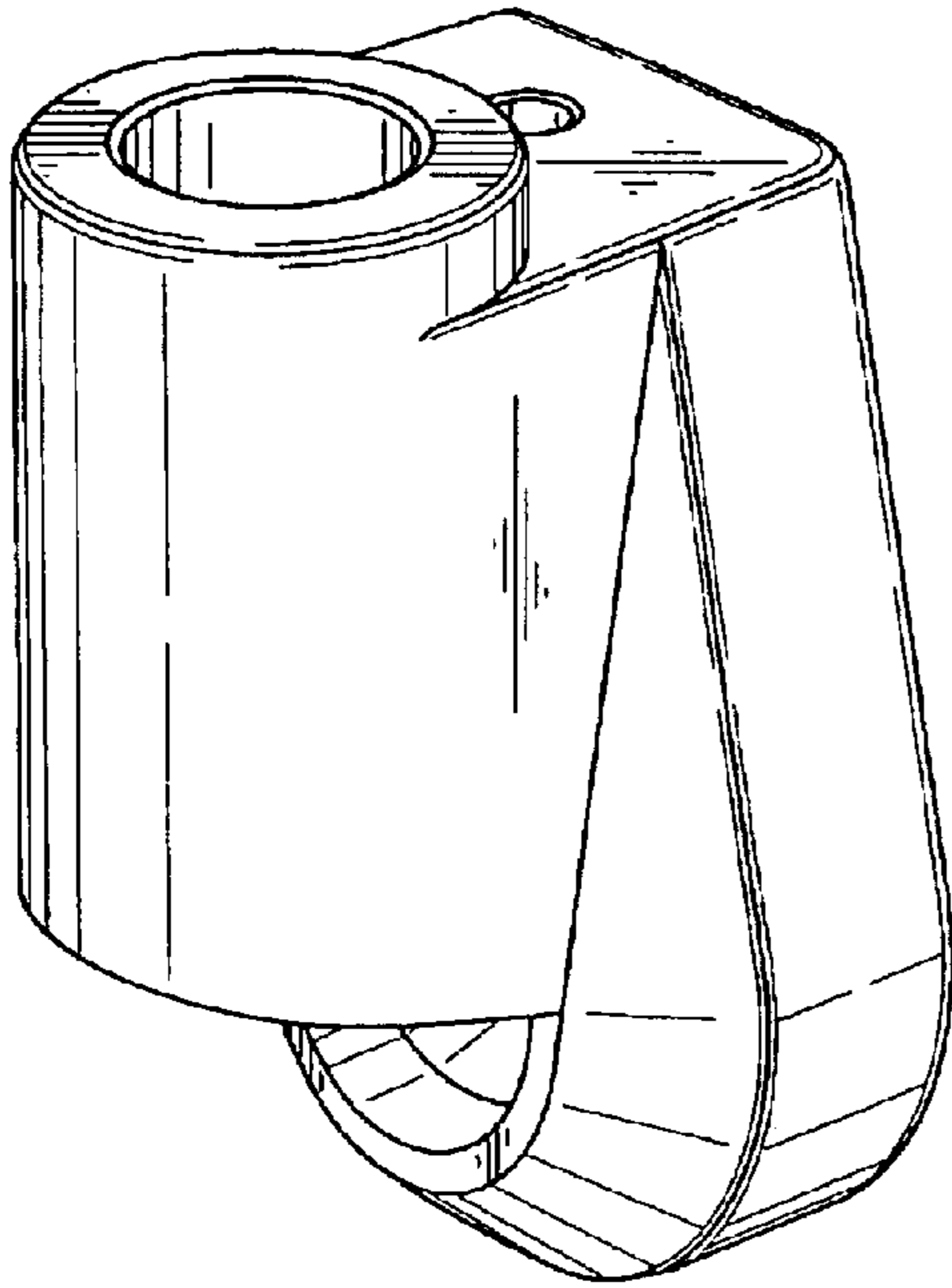


FIG. 2

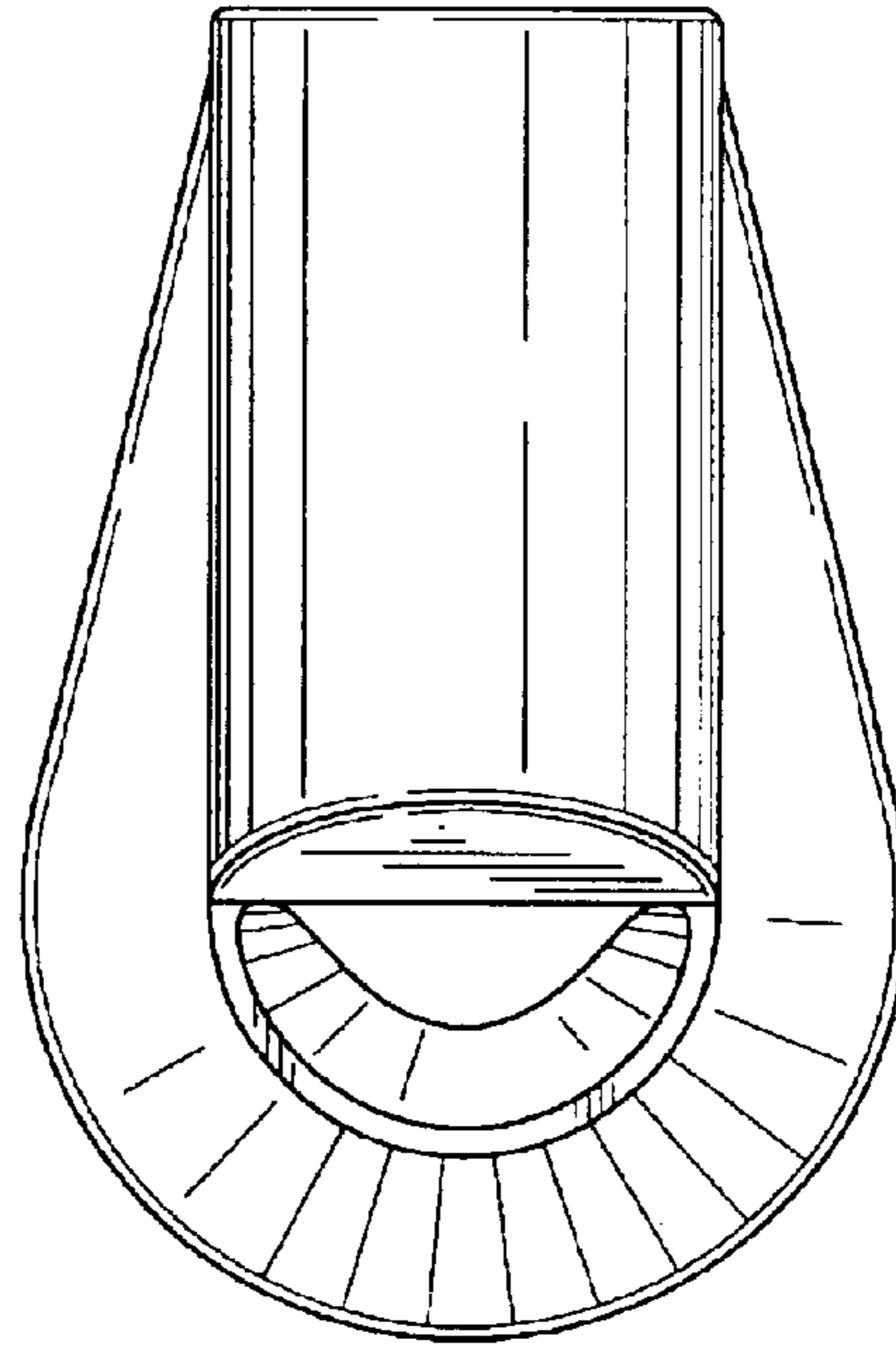


FIG. 3

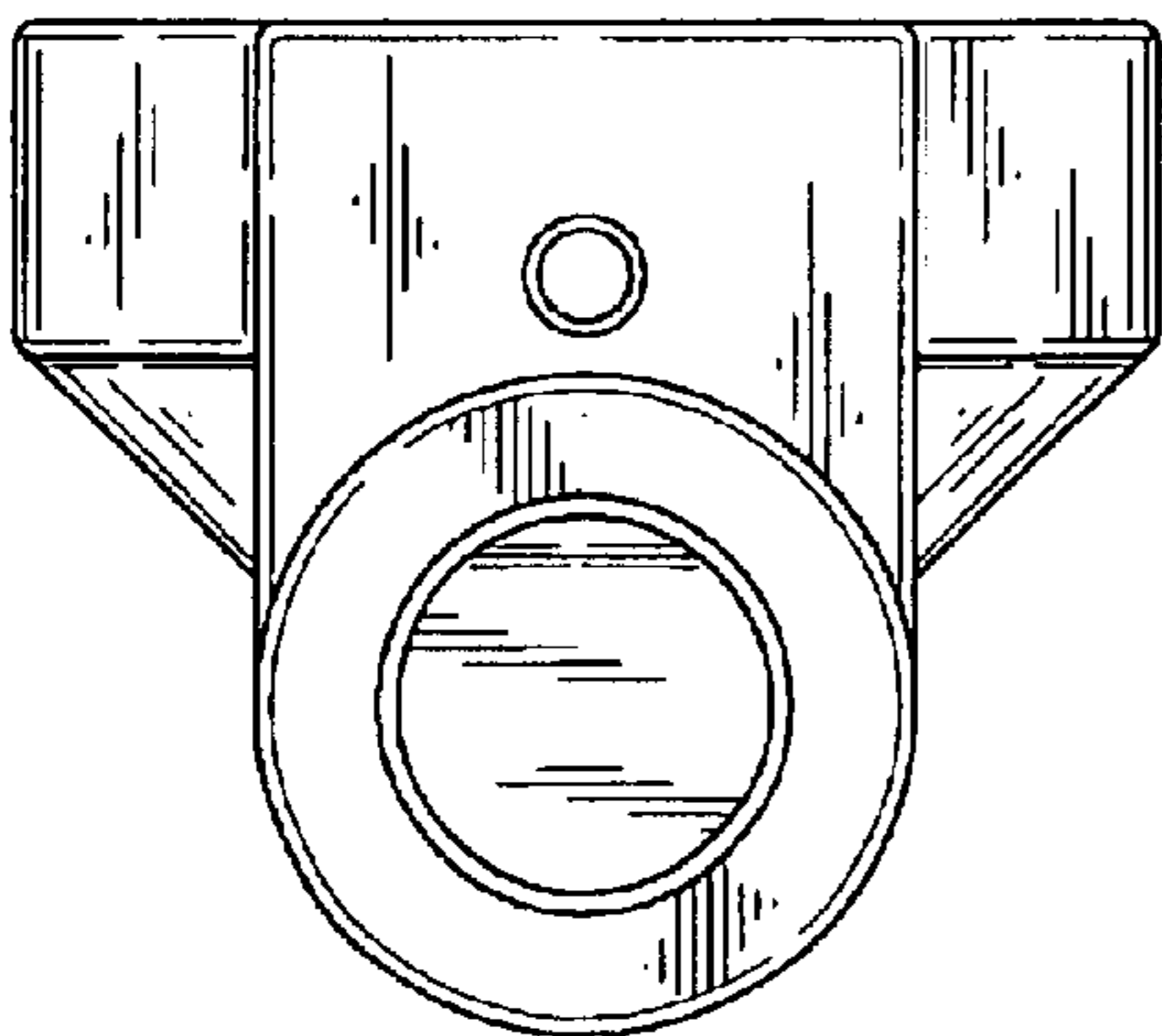


FIG. 4

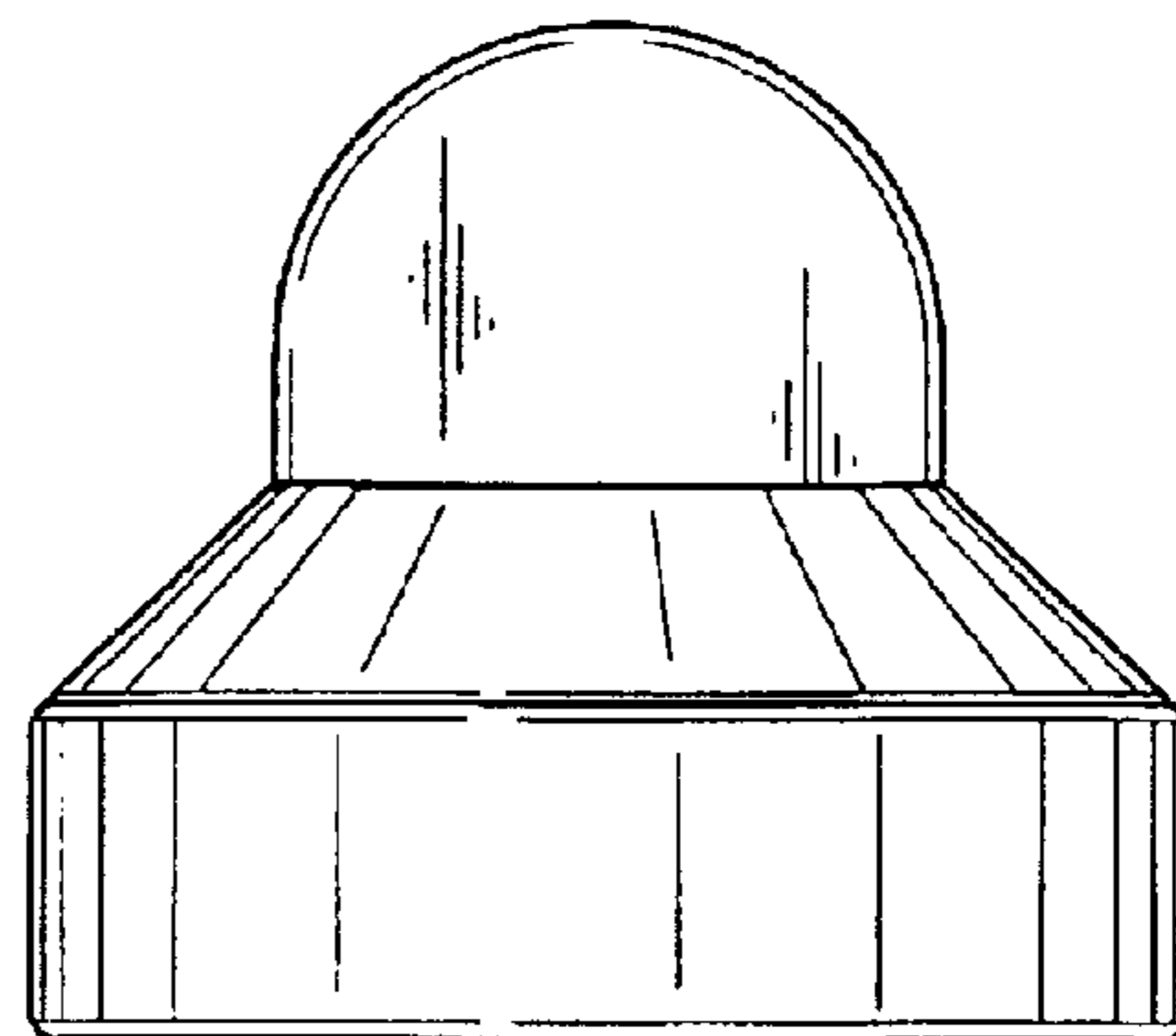


FIG. 5

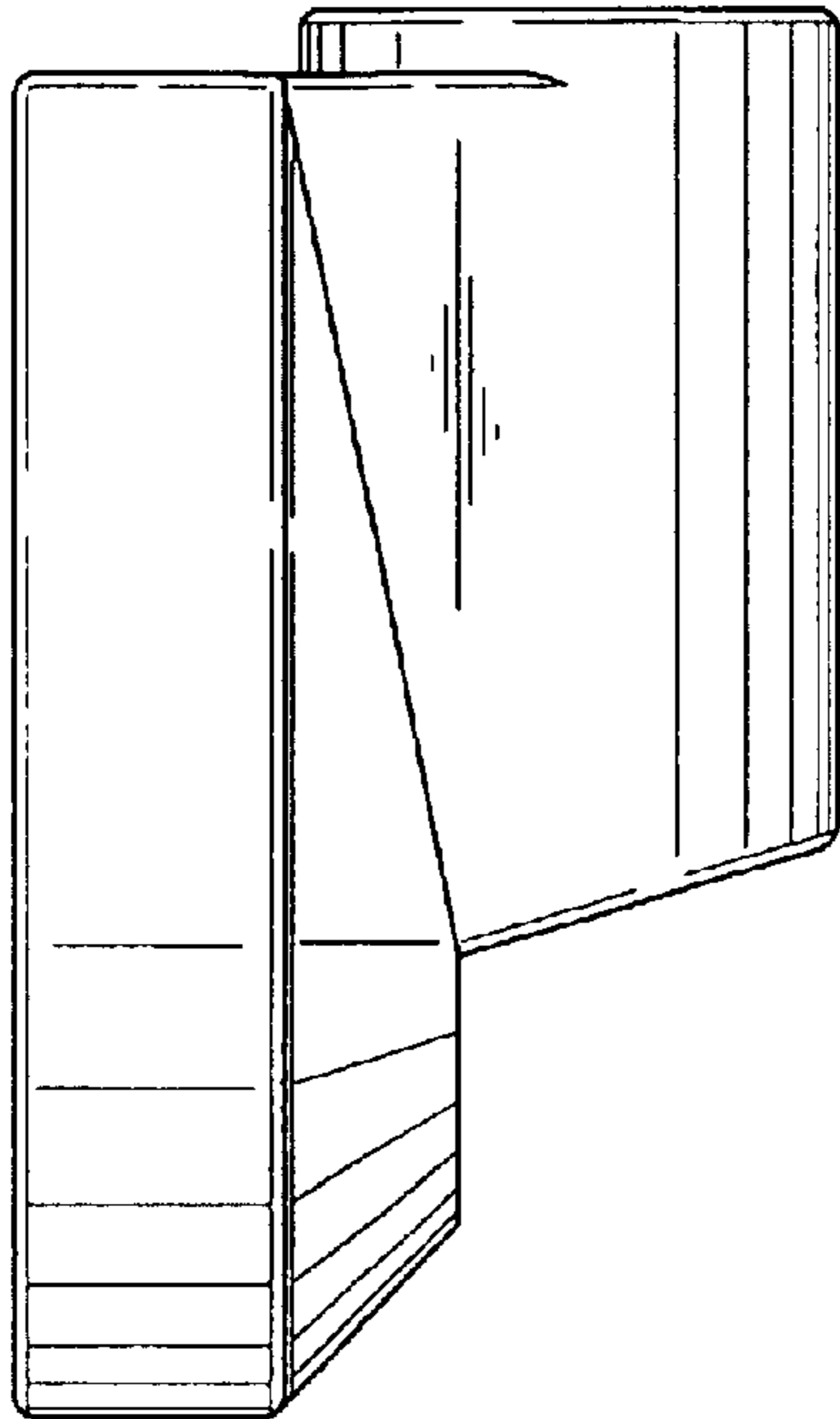


FIG. 6

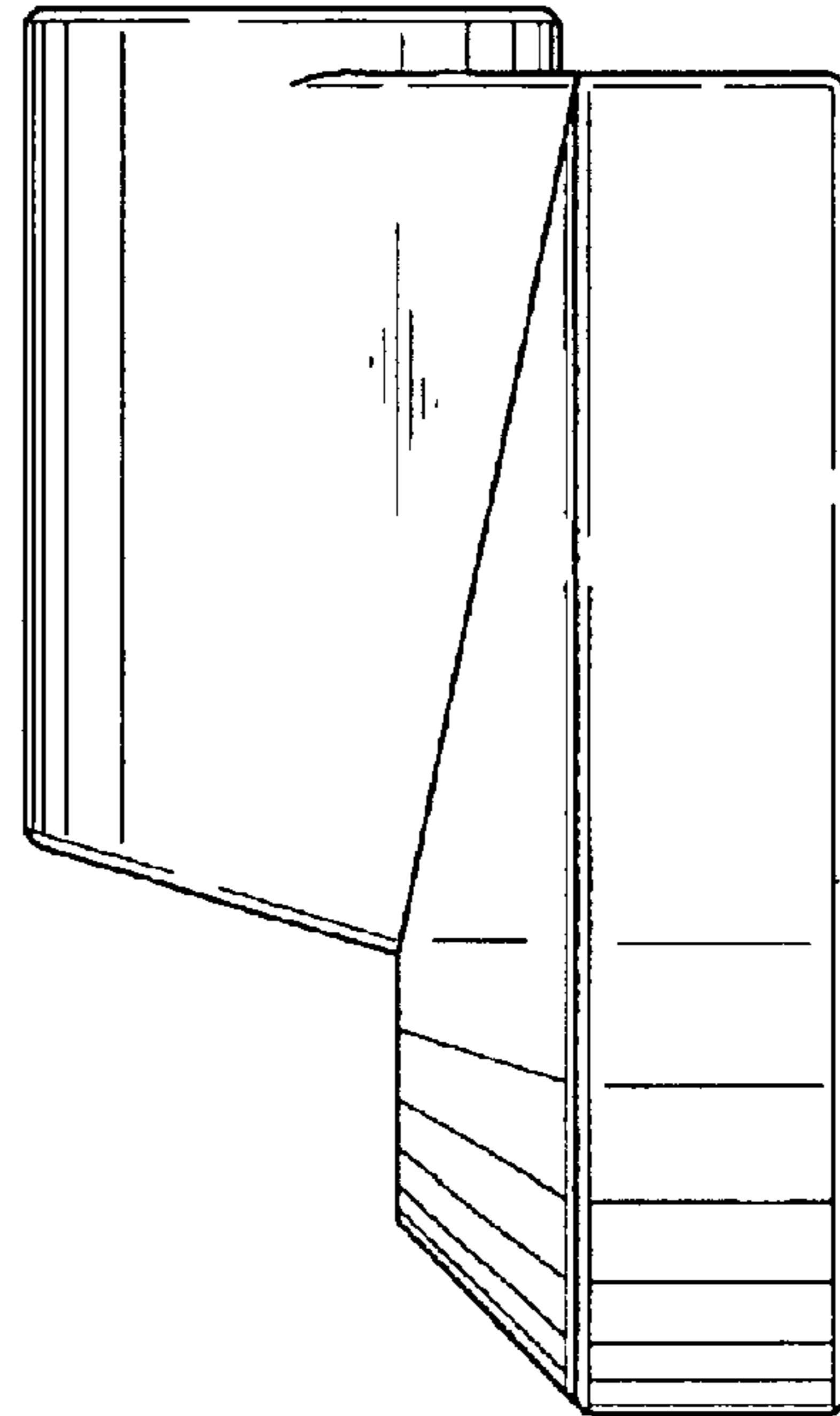


FIG. 7

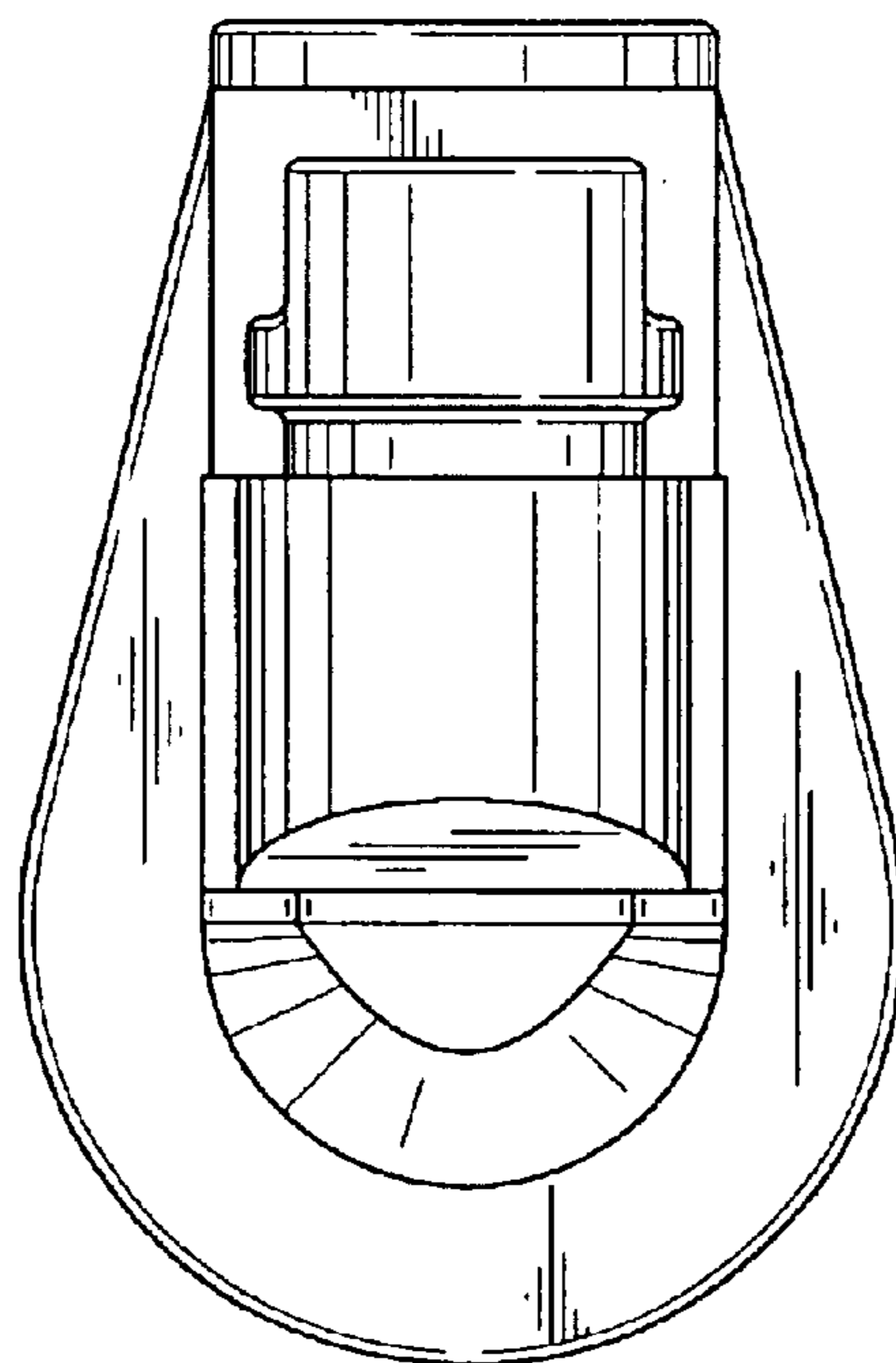


FIG. 8

