



US00D510857S

(12) **United States Design Patent** (10) **Patent No.:** **US D510,857 S**
Minor et al. (45) **Date of Patent:** **** Oct. 25, 2005**

(54) **RE-BAR CLAMP**

(75) Inventors: **Jack M. Minor**, 1155 Achilles Cir., Lafayette, CO (US) 80026; **Brent W. Murray**, Longmont, CO (US)

(73) Assignee: **Jack M. Minor**, Lafayette, CO (US)

(**) Term: **14 Years**

(21) Appl. No.: **29/211,496**

(22) Filed: **Aug. 17, 2004**

(51) **LOC (8) Cl.** **08-08**

(52) **U.S. Cl.** **D8/396; D8/354**

(58) **Field of Search** D8/349, 354, 380, D8/394-396; D25/199; 52/677-689; 248/74.2, 214, 219.1, 316.7; 404/134-136

(56) **References Cited**

U.S. PATENT DOCUMENTS

D201,387 S	*	6/1965	Reeves	D8/394
3,673,753 A	*	7/1972	Anderson	52/685
3,788,025 A	*	1/1974	Holmes	52/685
D281,952 S	*	12/1985	Farmer et al.	D8/394
4,575,985 A		3/1986	Eckenrodt		
4,598,523 A		7/1986	Tolliver		
4,610,122 A		9/1986	De Clercq		
4,835,933 A	*	6/1989	Yung	52/685
5,323,582 A		6/1994	Watson		
5,371,991 A		12/1994	Bechtel et al.		
5,688,428 A		11/1997	Maguire		
5,730,432 A		3/1998	Gendreau et al.		
5,752,860 A		5/1998	Greaves		
5,878,546 A		3/1999	Westover		
5,893,252 A		4/1999	Hardy, Jr. et al.		

D414,680 S	*	10/1999	Mathews	D8/394
6,017,014 A		1/2000	Maguire		
6,112,494 A		9/2000	Hardy, Jr. et al.		
6,385,938 B1		5/2002	Gavin		
6,684,594 B1		2/2004	Sorkin		
6,684,595 B1		2/2004	Sorkin		
2003/0000170 A1		1/2003	Sorkin		
2003/0197108 A1		10/2003	Domizio		
2004/0031228 A1		2/2004	Hardy, Jr. et al.		
2004/0040247 A1		3/2004	Morse		

OTHER PUBLICATIONS

U.S. Appl. No. 60/598,157, Jack M. Minor, filed Aug. 2, 2004.

* cited by examiner

Primary Examiner—Louis S. Zarfaz

Assistant Examiner—John Windmuller

(74) *Attorney, Agent, or Firm*—Rick Martin; Patent Law Office of Rick Martin, P.C.

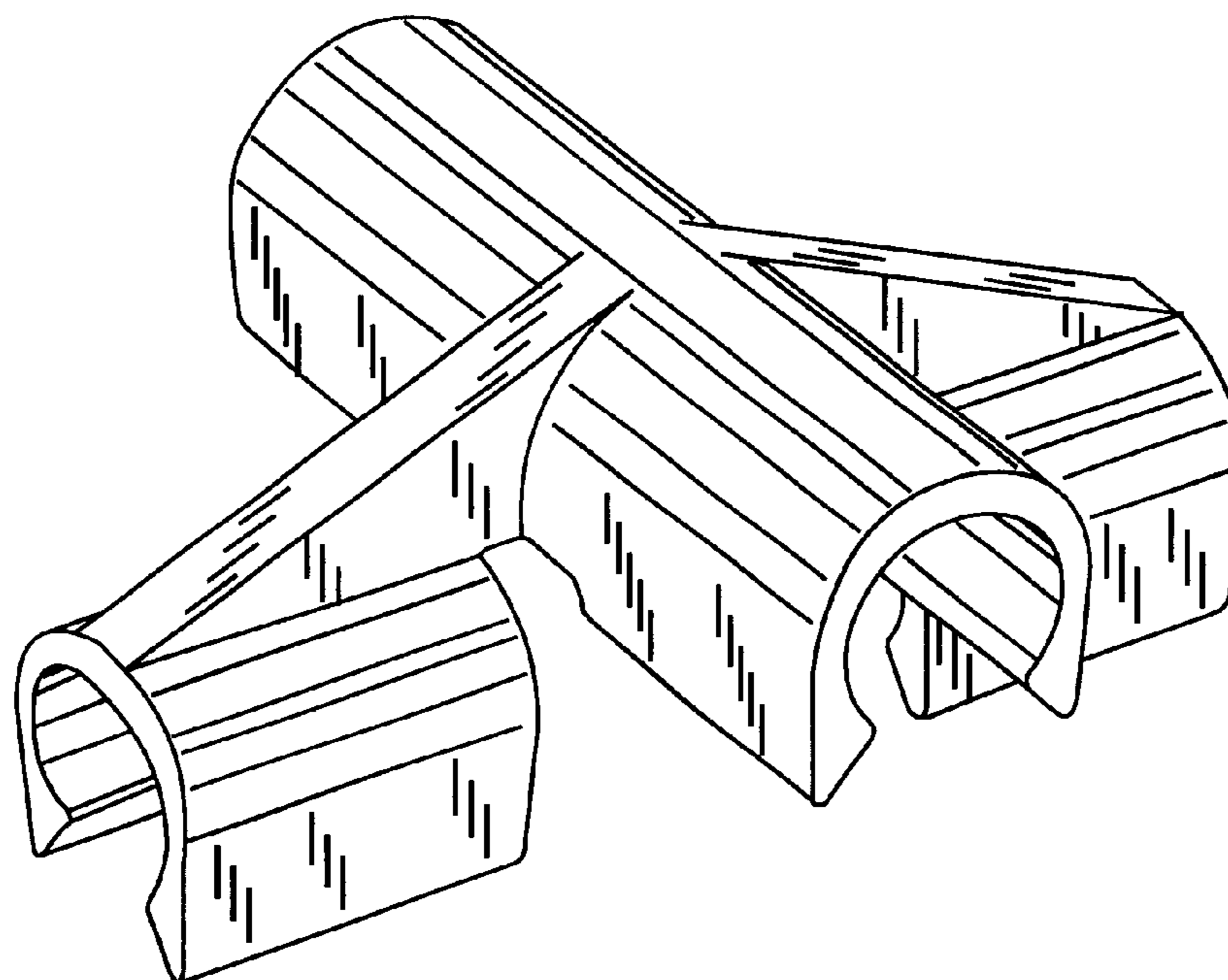
(57) **CLAIM**

The ornamental design for a re-bar clamp, as shown and described.

DESCRIPTION

FIG. 1 is a top perspective view of a re-bar clamp showing our new design;
 FIG. 2 is a front elevational view thereof, the rear elevational view being identical;
 FIG. 3 is a top plan view thereof;
 FIG. 4 is a bottom plan view thereof; and,
 FIG. 5 is a right side elevational view thereof, the left side elevational view being identical.

1 Claim, 2 Drawing Sheets



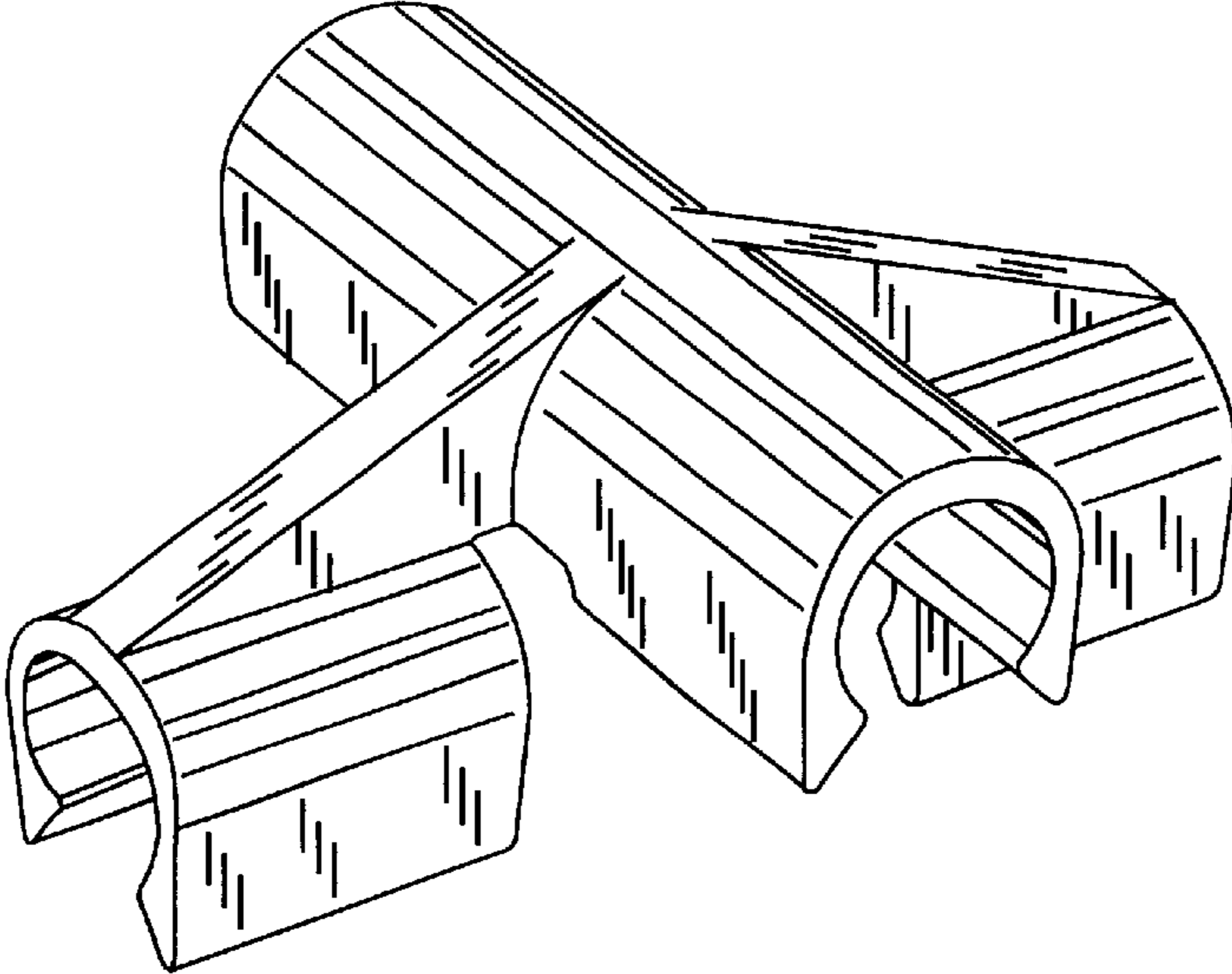


Fig. 1

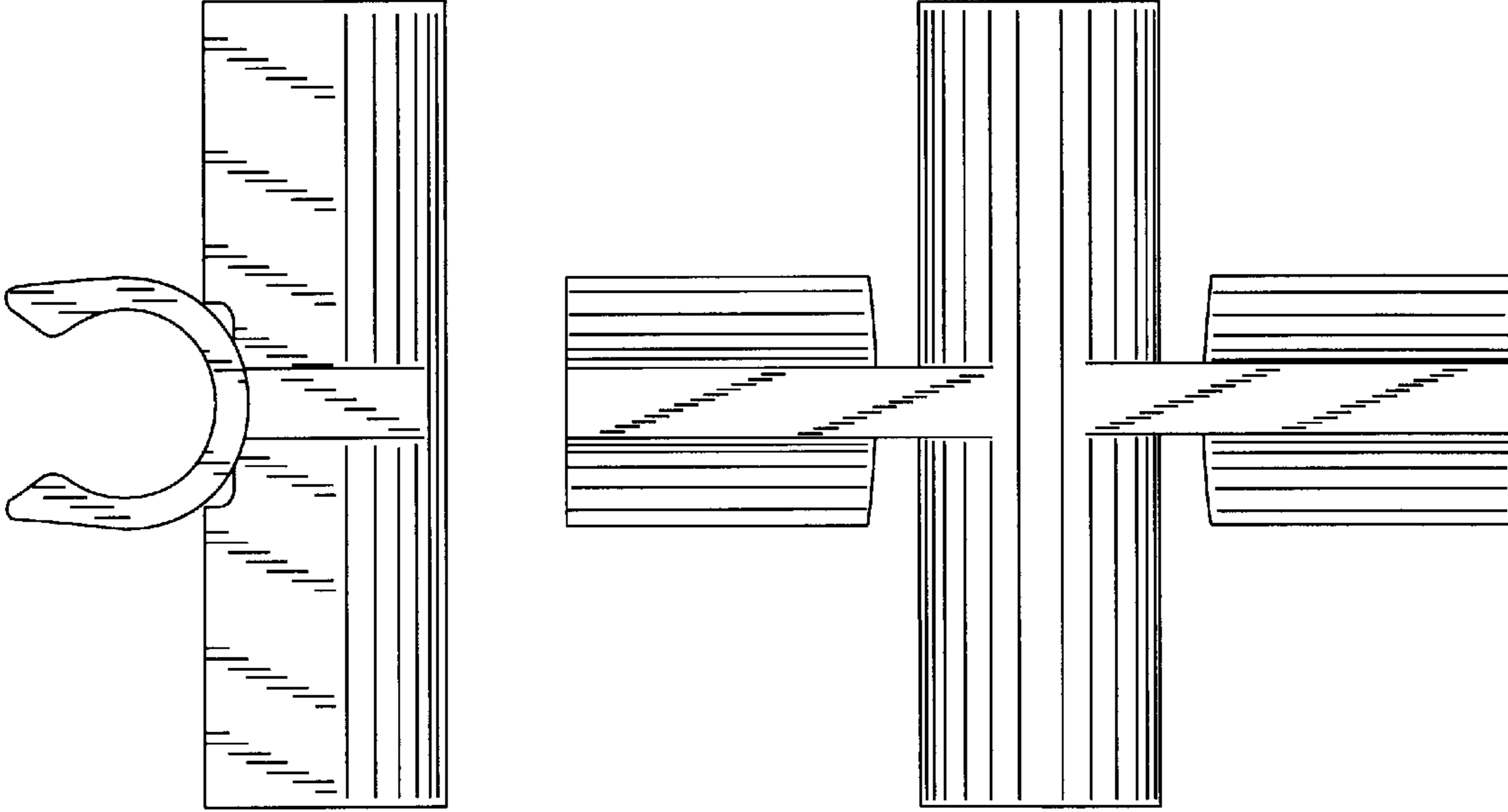


Fig. 2

Fig. 3

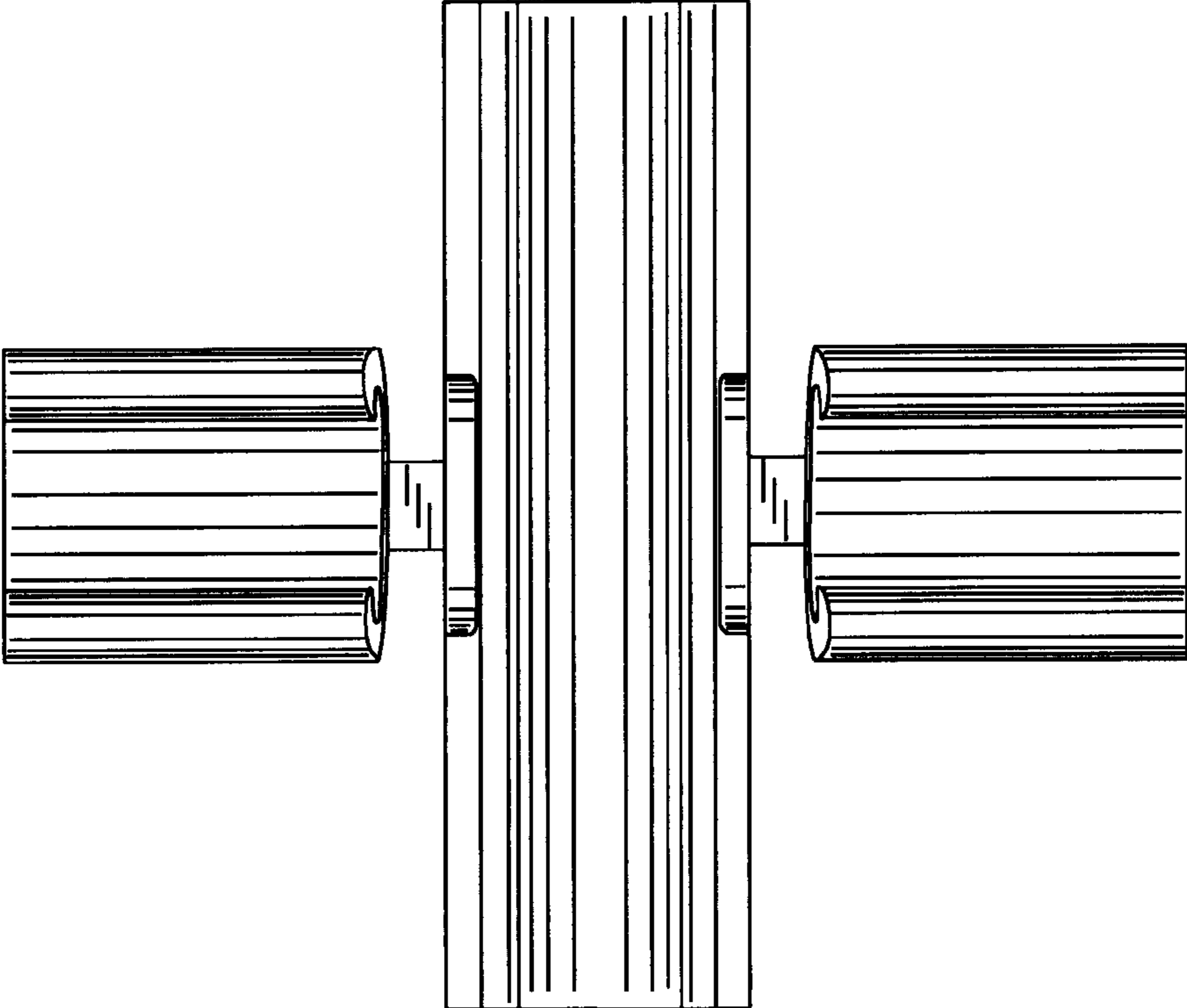


Fig. 4

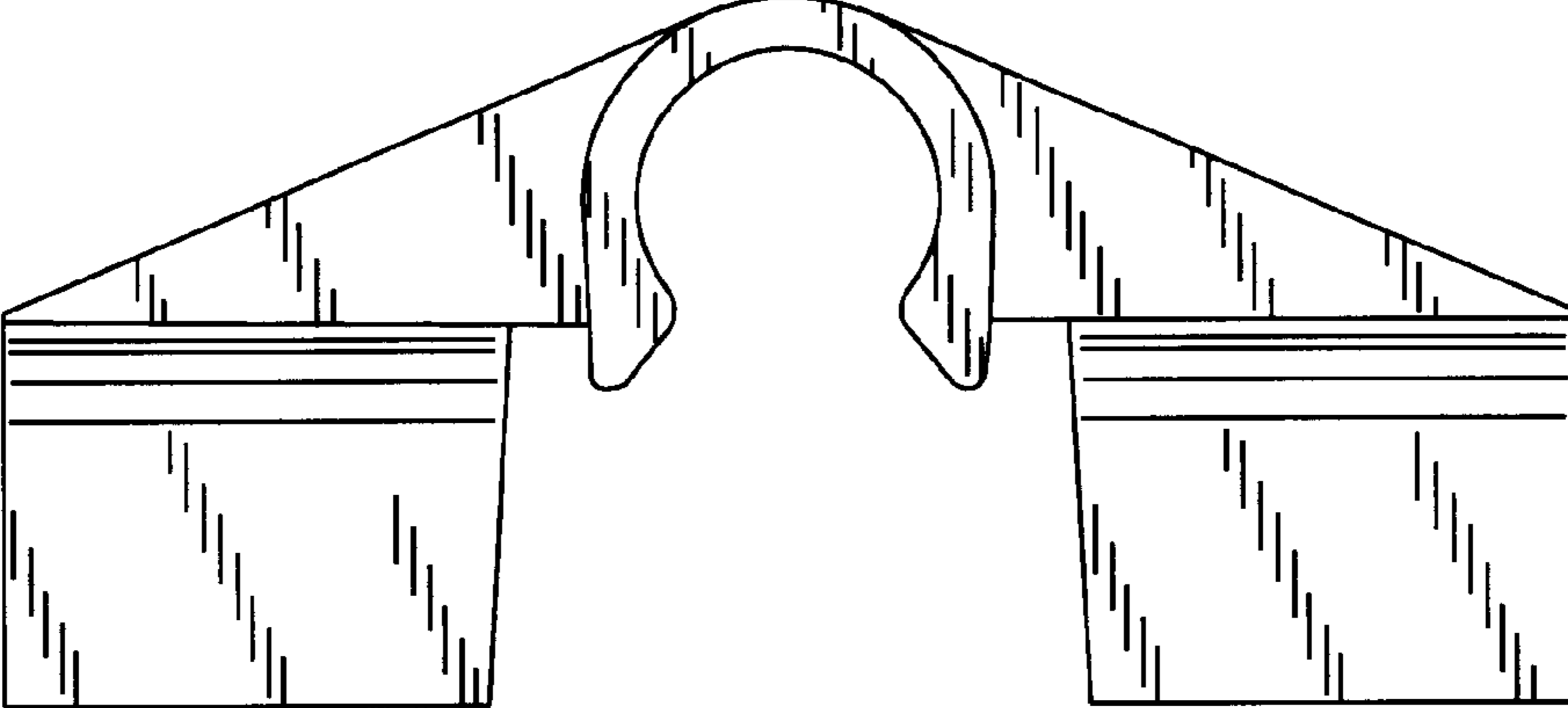


Fig. 5