



US00D510855S

(12) **United States Design Patent**
Tipp et al.

(10) **Patent No.: US D510,855 S**

(45) **Date of Patent: ** Oct. 25, 2005**

(54) **FLAT BASE ELONGATED MODIFIED UTILITY HOOK**

D312,959 S * 12/1990 Hamann D8/367
D374,602 S * 10/1996 Protz, Jr. D8/367

(76) Inventors: **Raymond P. Tipp**, P.O. Box 3778,
Missoula, MT (US) 59806-3778;
Ronald F. Tipp, P.O. Box 3778,
Missoula, MT (US) 59806-3778

(**) Term: **14 Years**

(21) Appl. No.: **29/190,037**

(22) Filed: **Sep. 15, 2003**

(51) **LOC (8) Cl. 08-05**

(52) **U.S. Cl. D8/374**

(58) **Field of Search D8/367, 373, 363;**
248/301, 304, 214-215

(56) **References Cited**

U.S. PATENT DOCUMENTS

D300,003 S * 2/1989 Hutchison D8/367
D312,384 S * 11/1990 Hamann D8/367

OTHER PUBLICATIONS

2104052 Jan. 10, 2001 (abstract). [online] [retrieved on Jan. 24, 2004] retrieved from Great Britain design database.*

* cited by examiner

Primary Examiner—Holly Baynham

(57) **CLAIM**

The ornamental design of a flat base elongated modified utility hook, as shown and described.

DESCRIPTION

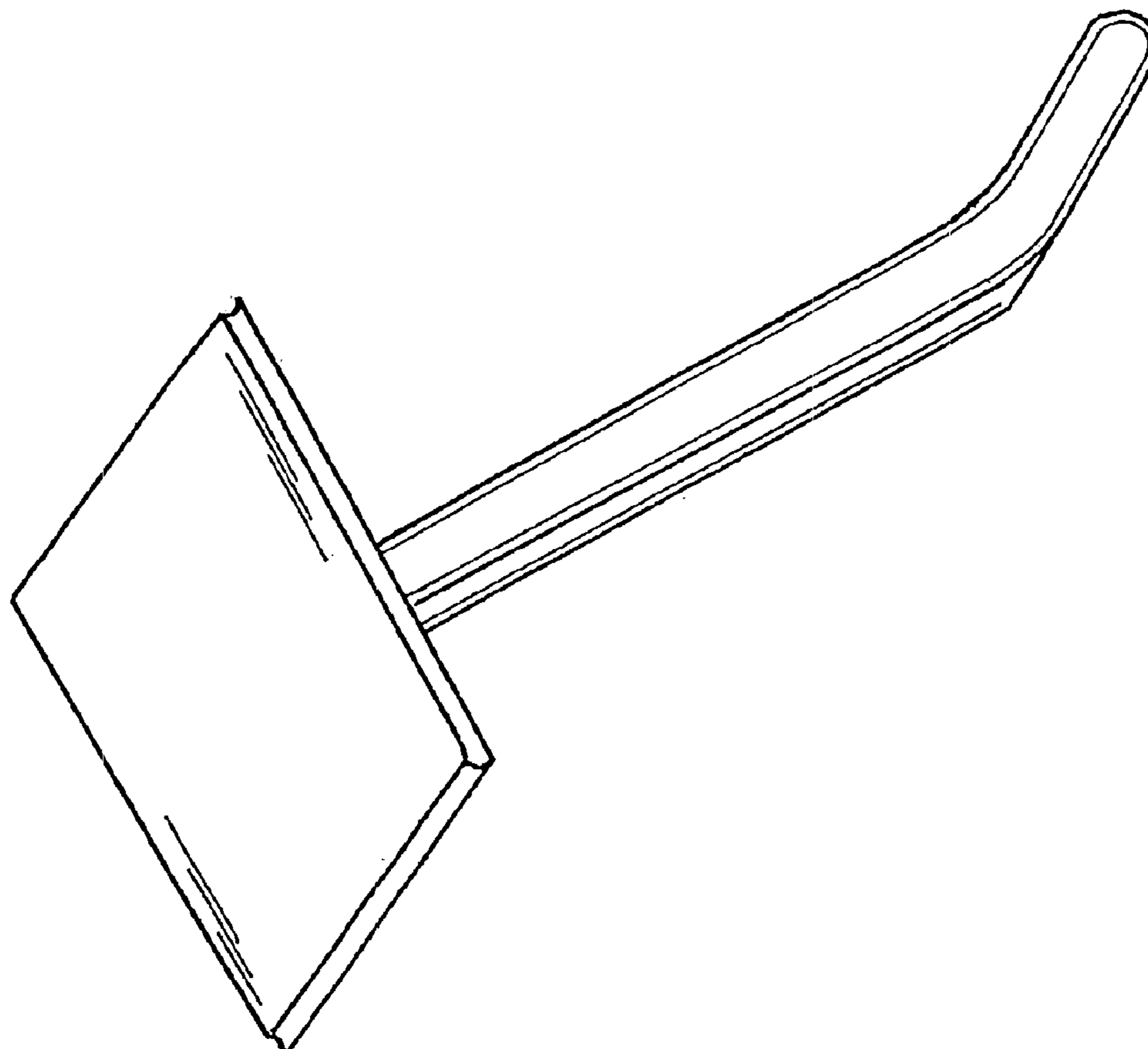
FIG. 1 is a perspective bottom plan view of our new design for a flat base elongated modified utility hook.

FIG. 2 is a top plan view of the base elongated modified utility hook, the bottom plan view is a mirror thereof.

FIG. 3 an end plan view thereof; and,

FIG. 4 is a bottom plan view of the base thereof.

1 Claim, 1 Drawing Sheet



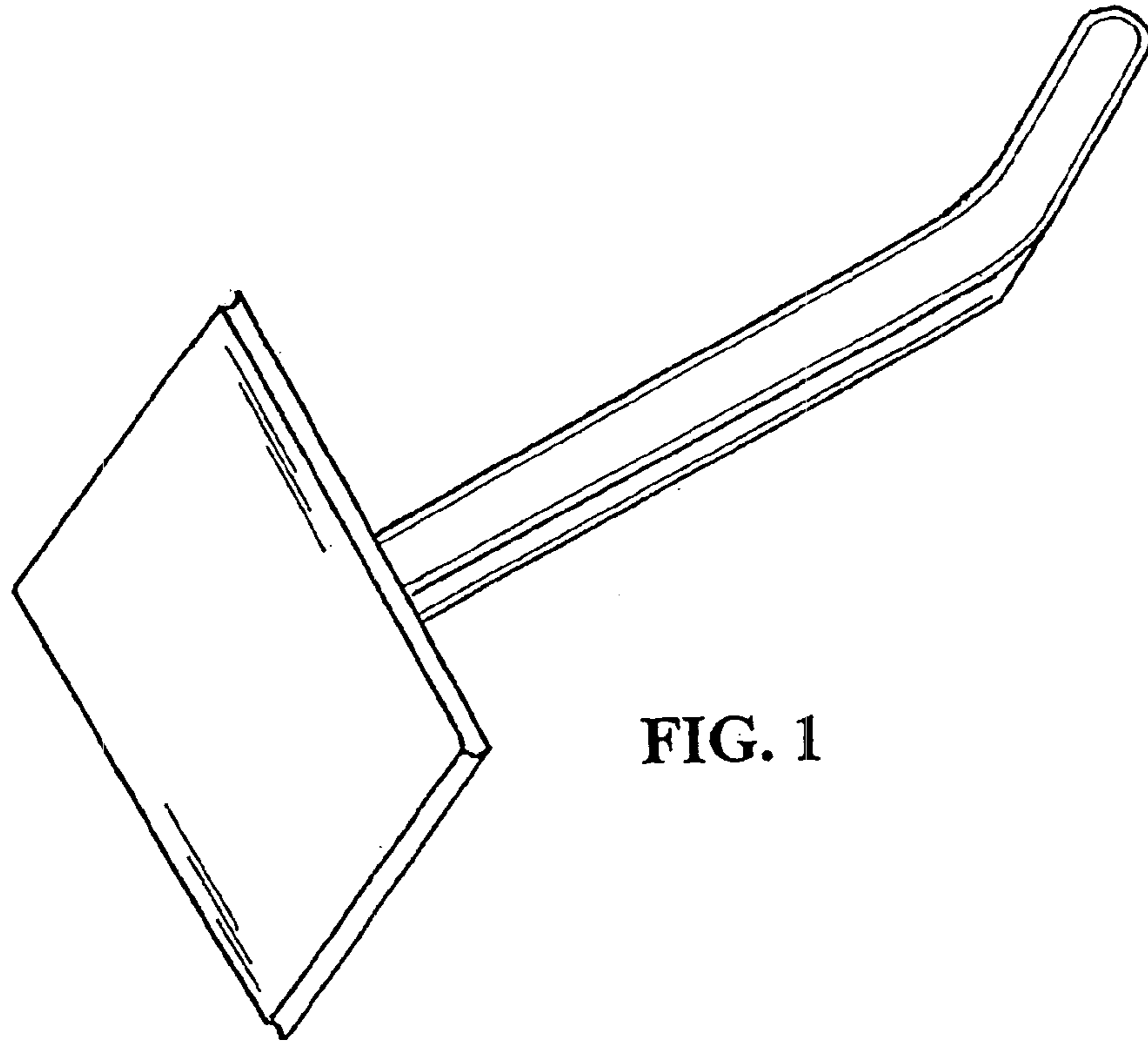


FIG. 1

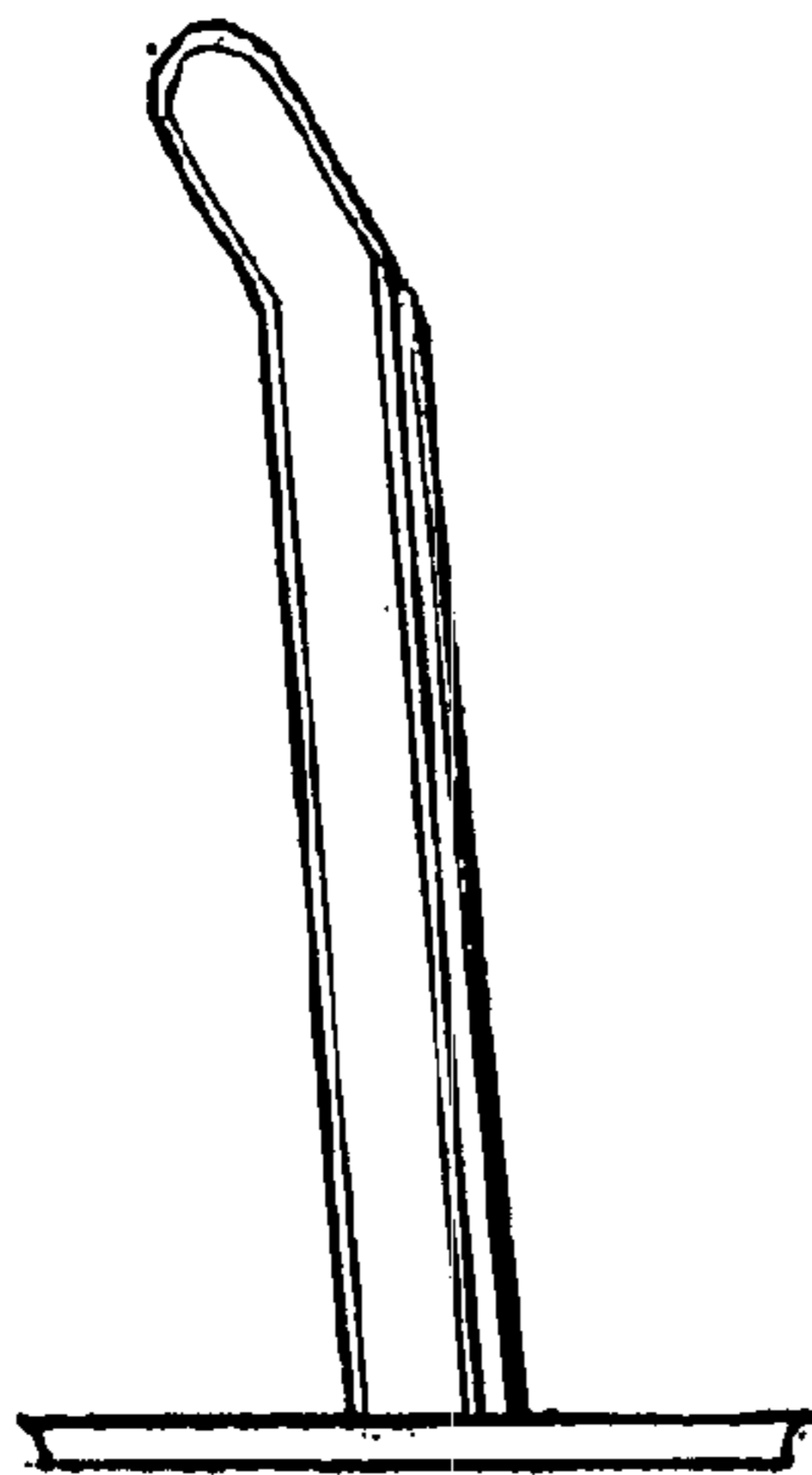


FIG. 2

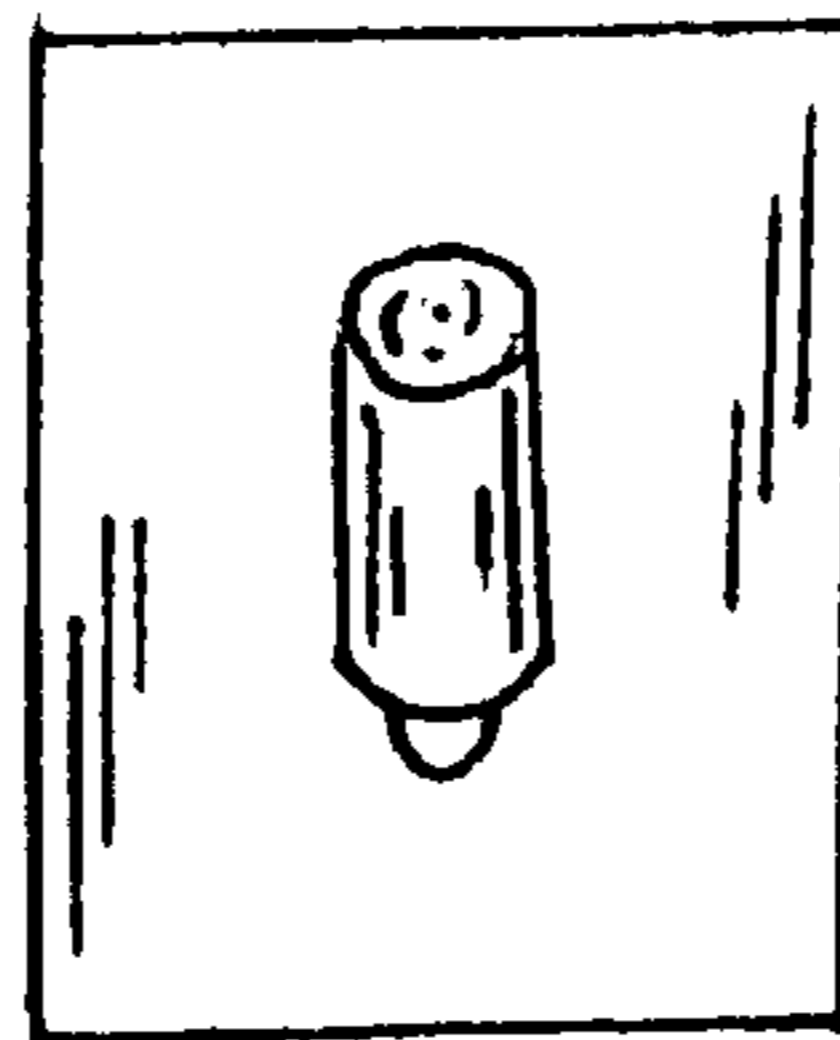


FIG. 3

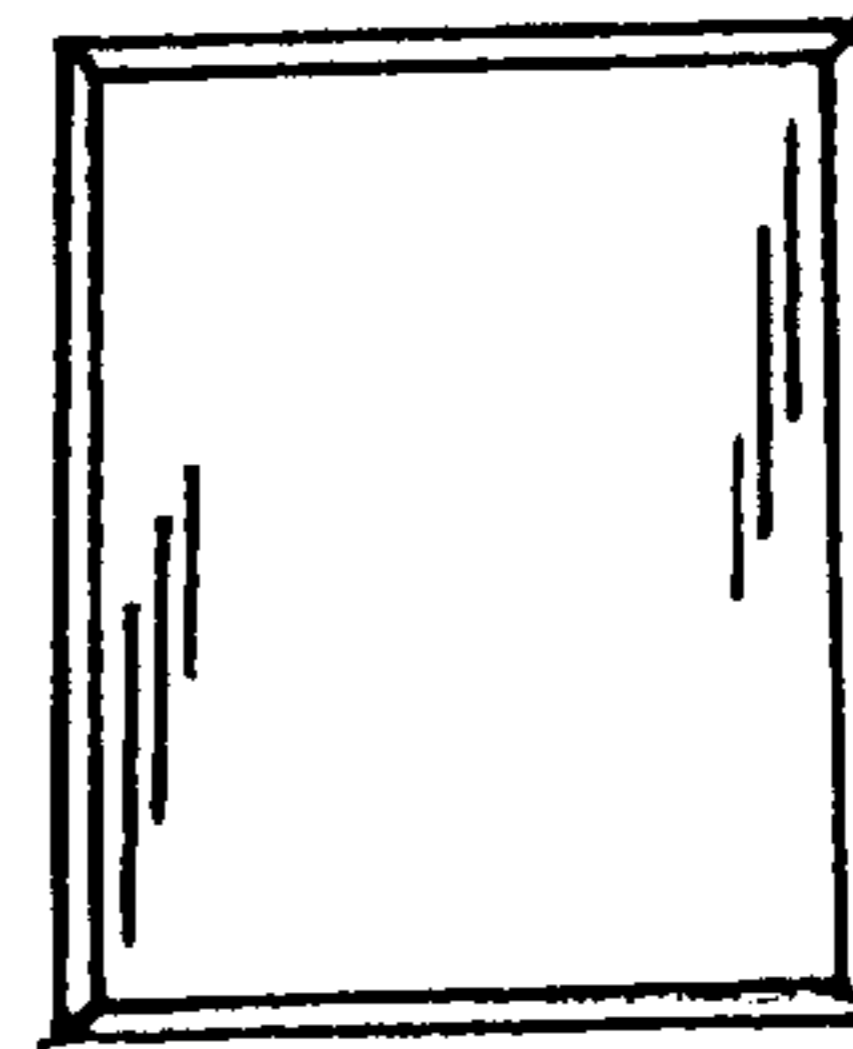


FIG. 4