



US00D510853S

(12) **United States Design Patent**  
**Liao**

(10) **Patent No.:** **US D510,853 S**

(45) **Date of Patent:** **\*\* Oct. 25, 2005**

(54) **SUCTION CUP**

(75) **Inventor:** **Po-Lin Liao, Taichun (TW)**

(73) **Assignee:** **Lih Yann Industrial Co., Ltd.,  
Taichung (TW)**

(\*\*) **Term:** **14 Years**

(21) **Appl. No.:** **29/210,018**

(22) **Filed:** **Jul. 26, 2004**

(51) **LOC (8) Cl.** ..... **08-05**

(52) **U.S. Cl.** ..... **D8/354**

(58) **Field of Search** ..... D8/354, 373, 14,  
D8/349; D34/28, 35; 294/64.1; 248/206.2,  
205.5; 335/285, 288, 289, 291

(56) **References Cited**

**U.S. PATENT DOCUMENTS**

2,212,755	A	*	8/1940	Solomon	.....	294/64.1
3,061,351	A	*	10/1962	Johnson	.....	294/64.1
D199,333	S	*	10/1964	Finley	.....	D8/14
D246,499	S	*	11/1977	Poulsen et al.	.....	D8/14
D246,500	S	*	11/1977	Poulsen et al.	.....	D34/28

D376,308	S	*	12/1996	Lee	.....	D8/354
D391,837	S	*	3/1998	Adams	.....	D8/354
D408,725	S	*	4/1999	Adams	.....	D8/373
D421,213	S	*	2/2000	Addi	.....	D8/373
D446,623	S	*	8/2001	Smith	.....	D34/35
D490,201	S	*	5/2004	Liao	.....	D34/28

\* cited by examiner

*Primary Examiner*—Gary D. Watson

*Assistant Examiner*—Terrence Huang

(57) **CLAIM**

The ornamental design for a suction cup, as shown and described.

**DESCRIPTION**

FIG. 1 is a perspective view for a suction cup of my new design;

FIG. 2 is a right elevational view thereof;

FIG. 3 is a top plan view thereof;

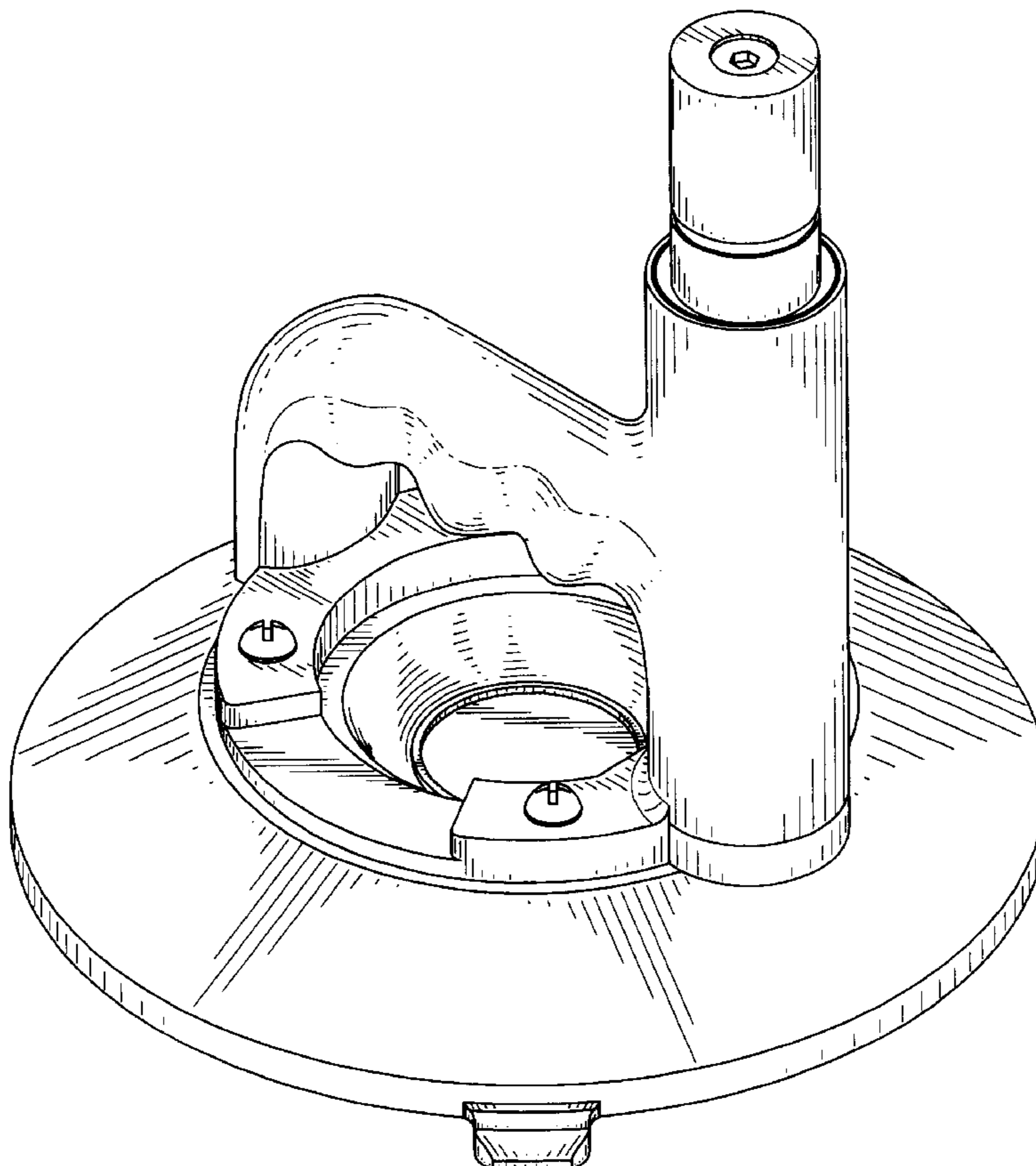
FIG. 4 is a front elevational view thereof;

FIG. 5 is a bottom plan view thereof;

FIG. 6 is a left elevational view thereof; and,

FIG. 7 is a rear elevational view thereof.

**1 Claim, 7 Drawing Sheets**



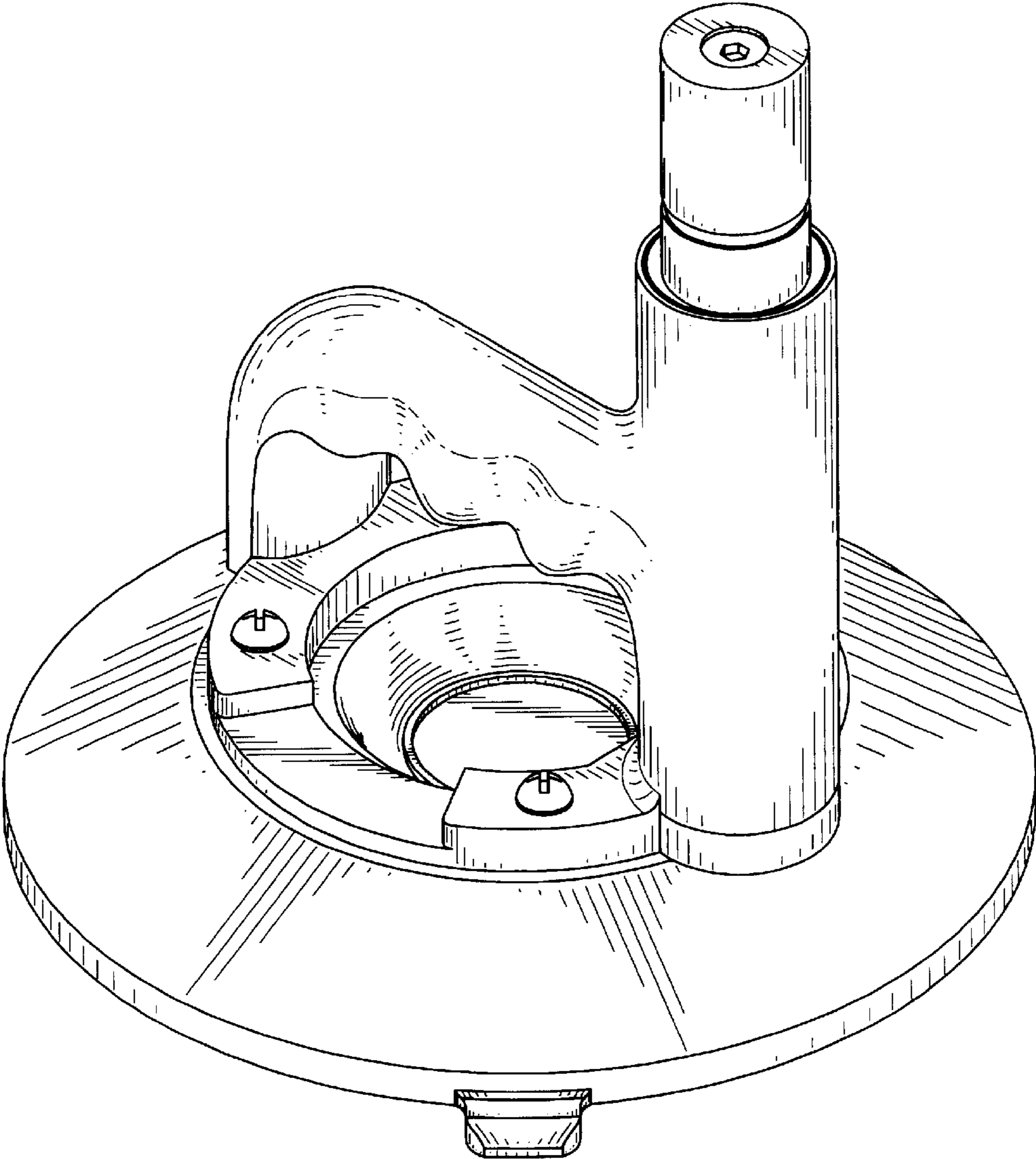


FIG. 1

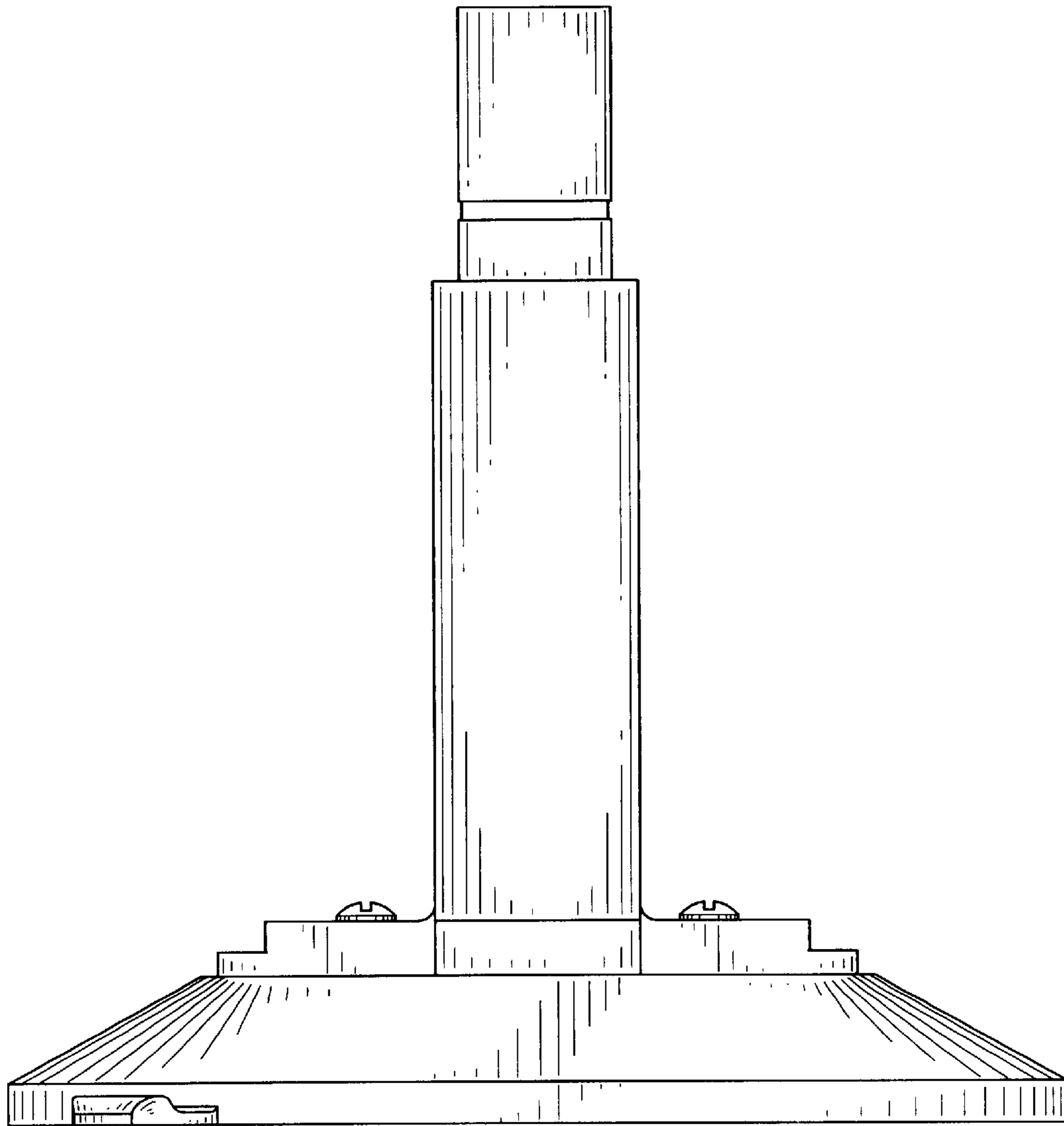


FIG. 2

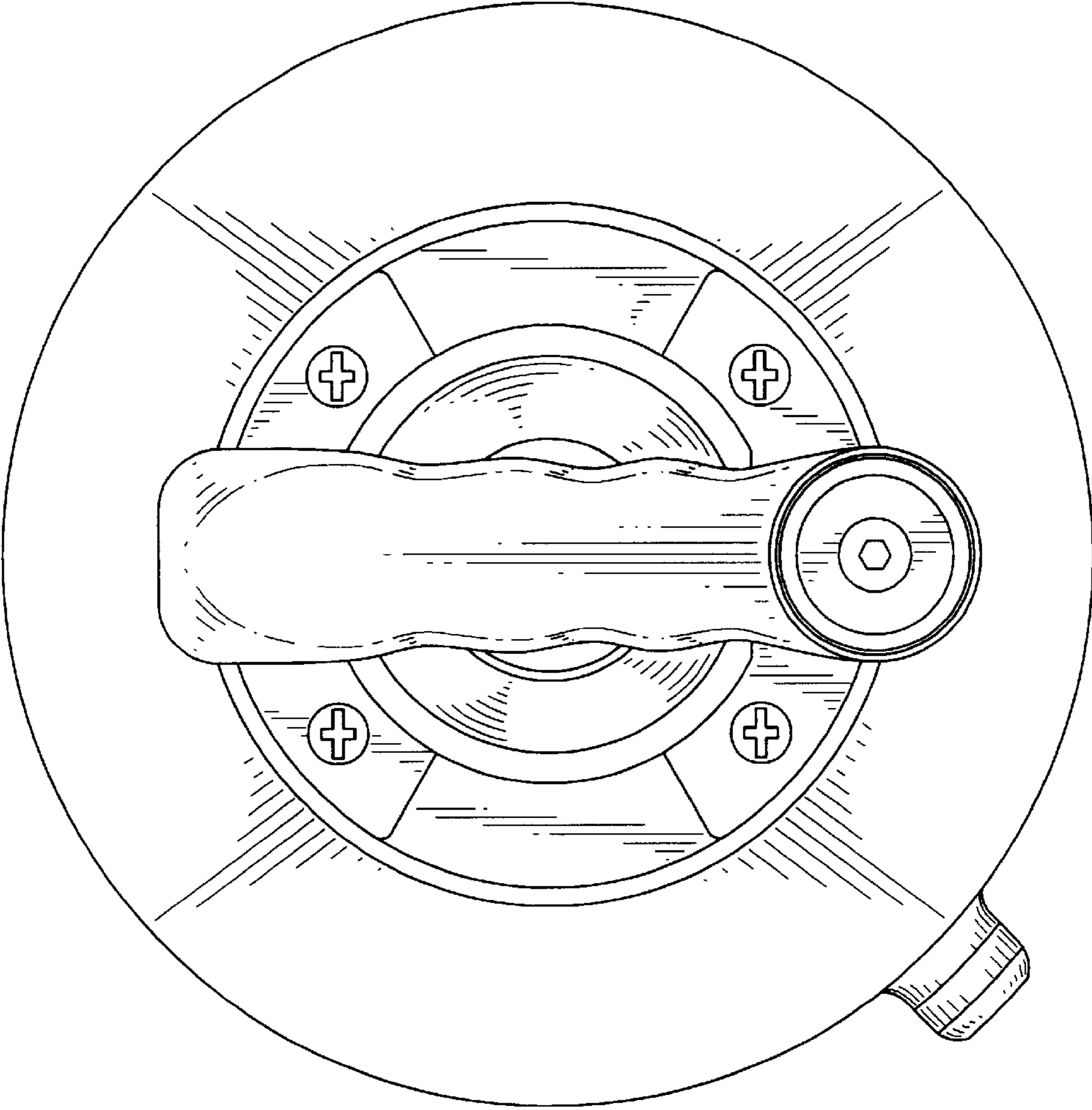


FIG. 3

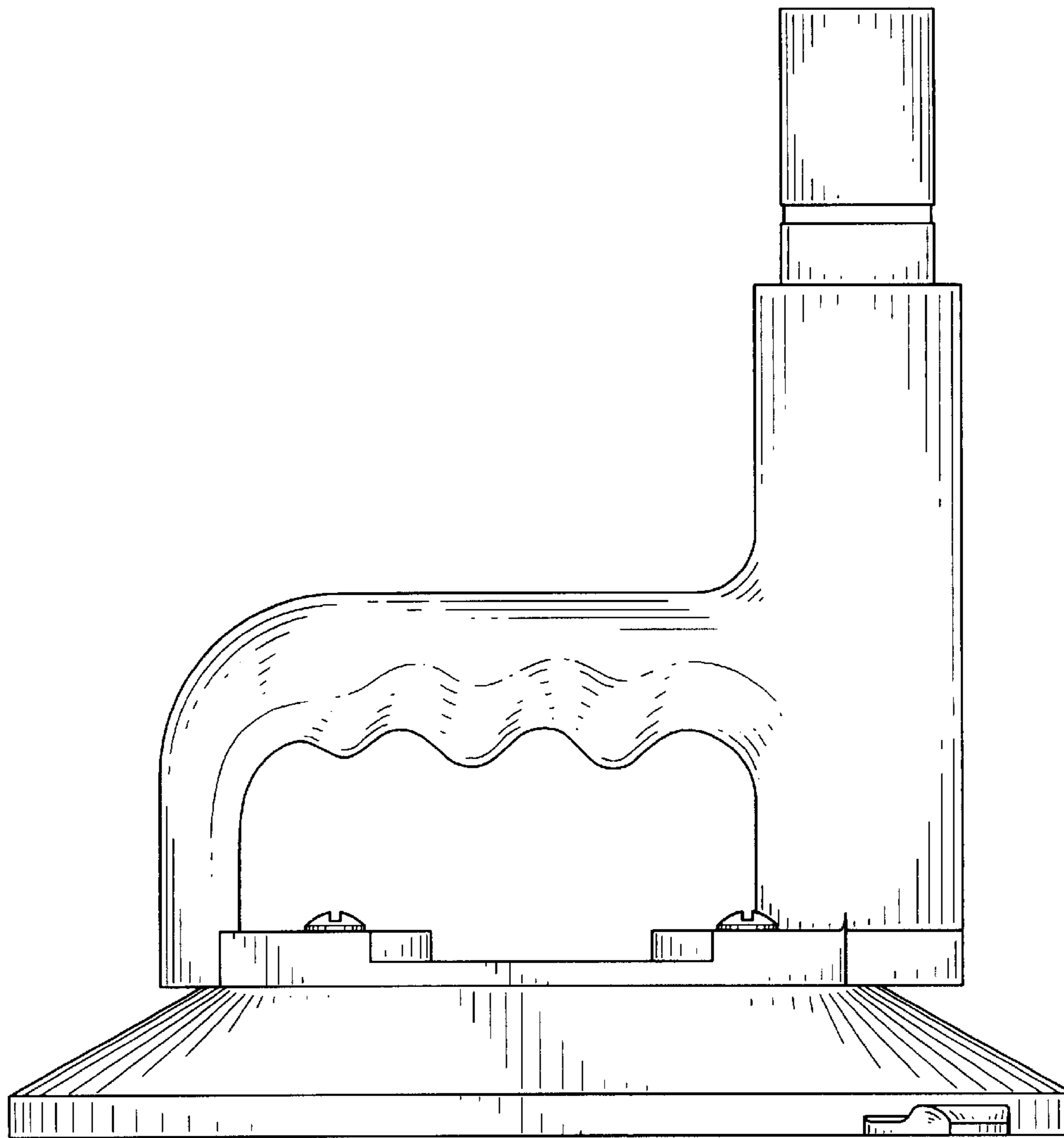


FIG. 4

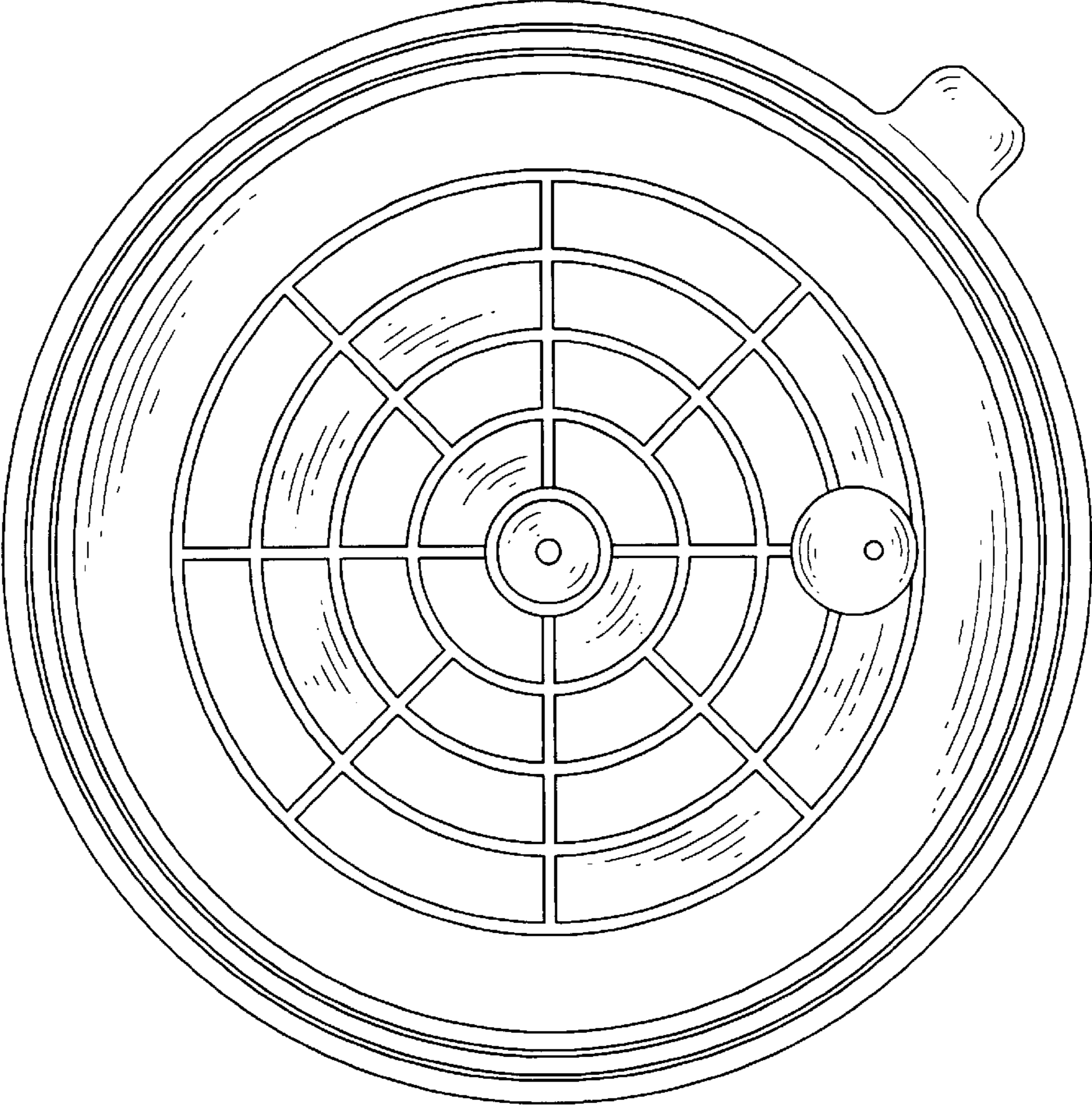


FIG. 5

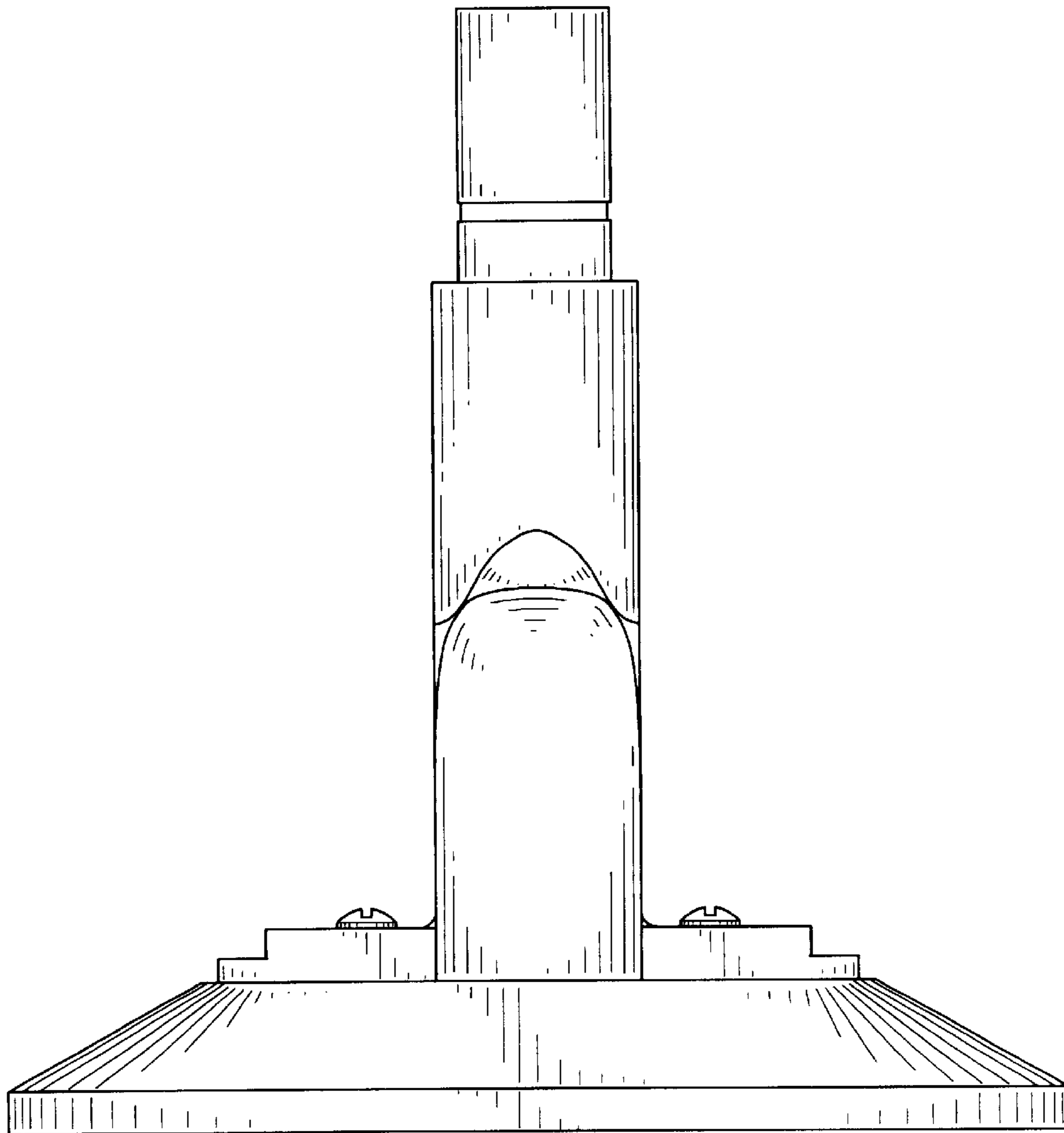


FIG. 6

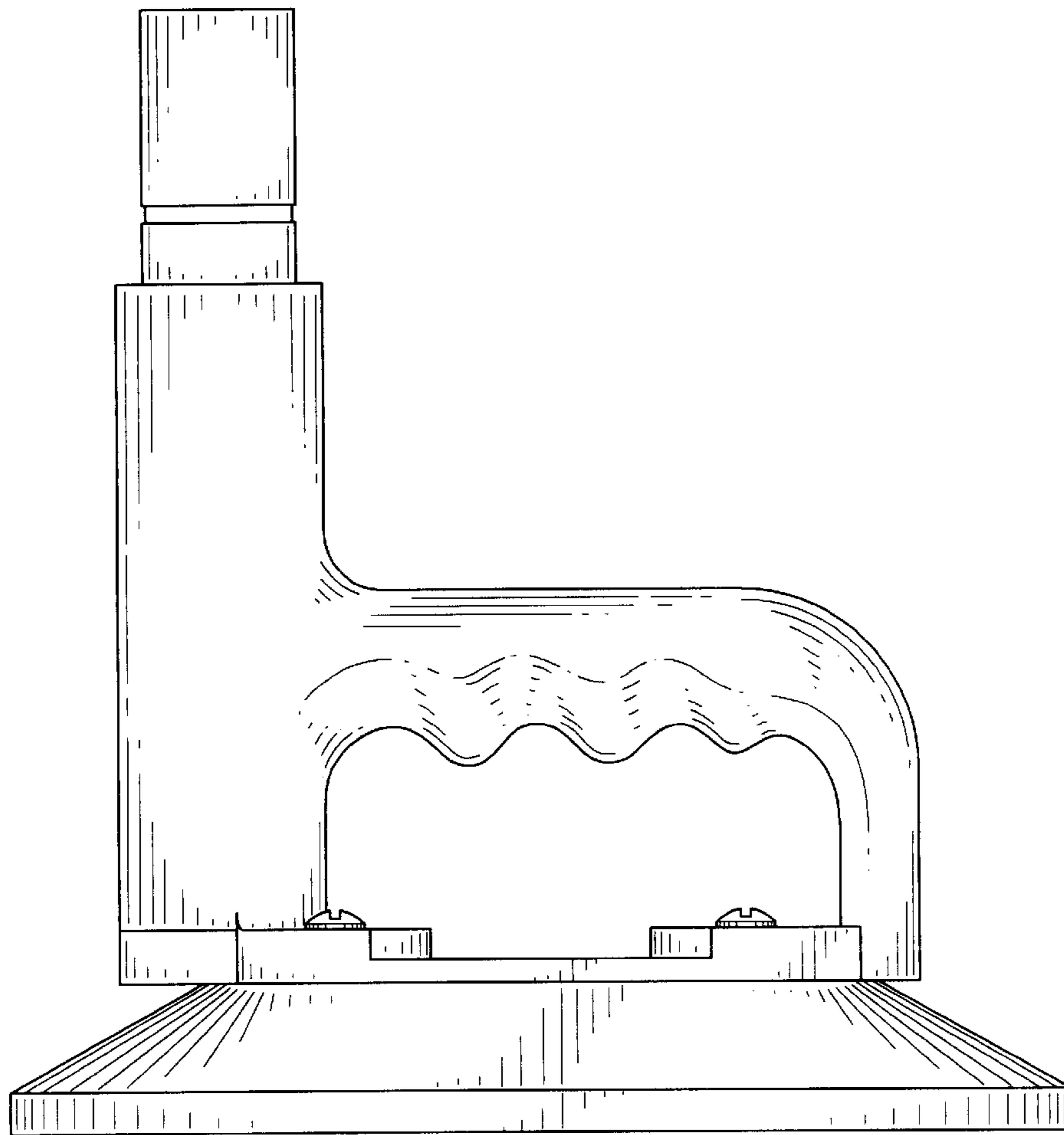


FIG. 7