



US00D510851S

(12) **United States Design Patent**
Badiali

(10) **Patent No.:** **US D510,851 S**

(45) **Date of Patent:** **** Oct. 25, 2005**

(54) **OFFSET DRIVE ATTACHMENT FOR ROTARY TOOLS**

(76) Inventor: **John A. Badiali**, 1060 Endeavor Ct., S-A, Nokomis, FL (US) 34275

(**) Term: **14 Years**

(21) Appl. No.: **29/187,995**

(22) Filed: **Aug. 11, 2003**

(51) **LOC (8) Cl.** **08-05**

(52) **U.S. Cl.** **D8/70**

(58) **Field of Search** D8/61-70; D15/138-140; 16/426; 30/388-291; 81/54, 57, 57.11, 57.39, 57.3, 57.42; 173/164, 169, 170, 213, 216-217; 408/240; 451/344, 357-9

(56) **References Cited**

U.S. PATENT DOCUMENTS

2,821,877	A *	2/1958	Swanson	173/170
3,270,596	A *	9/1966	Hall et al.	81/57.39
3,334,448	A *	8/1967	Alexander	D8/62
4,136,579	A *	1/1979	Robinson et al.	D8/70
4,295,829	A *	10/1981	Martinelli et al.	173/216
4,905,772	A *	3/1990	Honsa et al.	451/359
D310,009	S *	8/1990	Freiwald	D8/67
5,546,749	A *	8/1996	Couchee	16/426
D457,046	S *	5/2002	Boyle et al.	D8/70
2005/0034256	A1 *	2/2005	Kemp et al.	15/105

* cited by examiner

Primary Examiner—Gary D. Watson
Assistant Examiner—T. Chase Nelson
(74) *Attorney, Agent, or Firm*—Gifford, Krass, Groh, Sprinkle, Anderson & Citkowski, P.C.

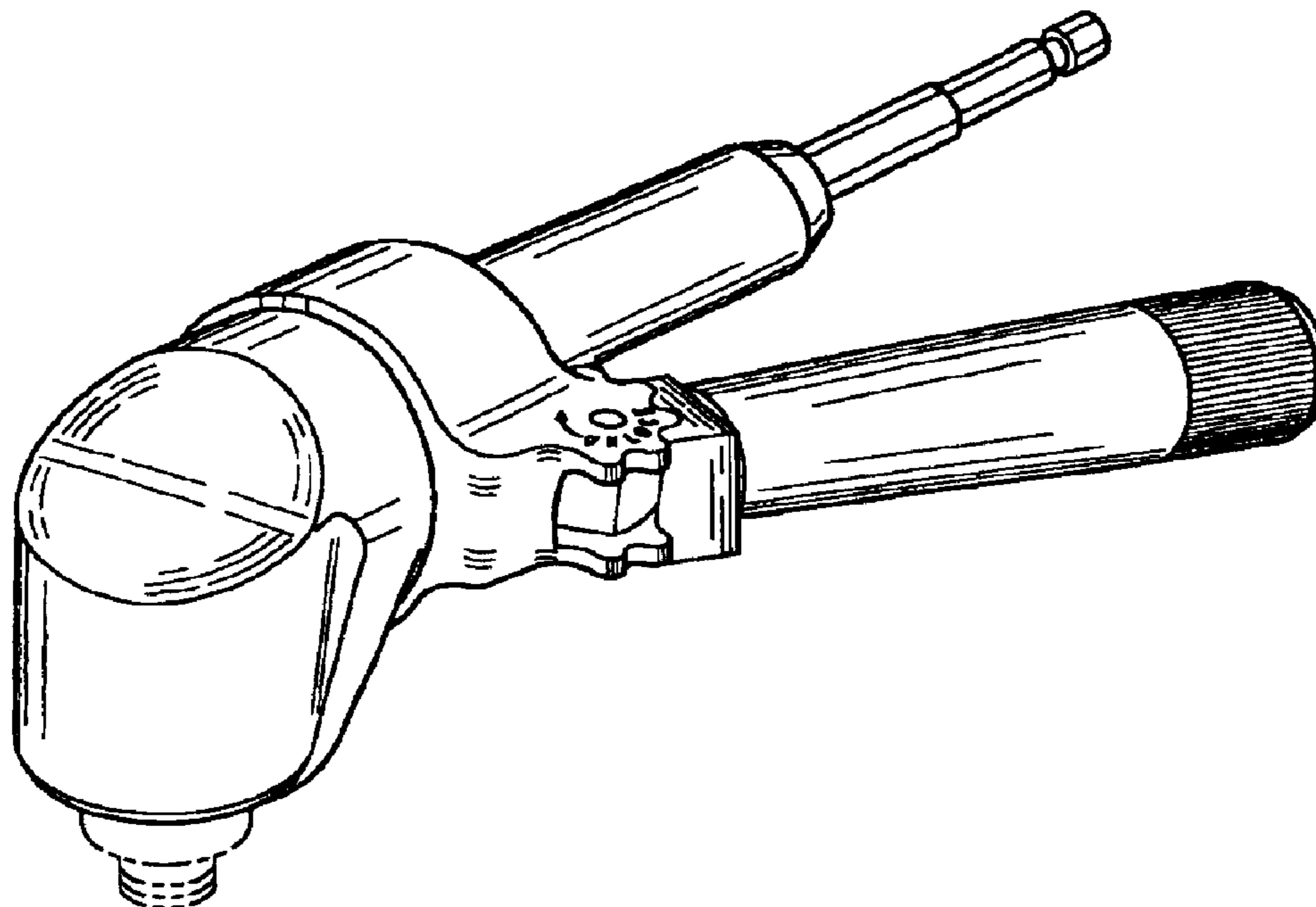
(57) **CLAIM**

The ornamental design for an offset drive attachment for rotary tools, as shown and described.

DESCRIPTION

FIG. 1 is a perspective view of an offset drive attachment for rotary tools embodying my new design;
FIG. 2 is a side elevation of one side of the offset drive attachment for rotary tools;
FIG. 3 is a side elevation showing the side of the offset drive attachment for rotary tools opposite to that shown in FIG. 2;
FIG. 4 is a top view of the offset drive attachment for rotary tools;
FIG. 5 is an elevation of the right side of the offset drive attachment for rotary tools as it is seen in FIG. 2;
FIG. 6 is a side elevation of the left side of the offset drive attachment for rotary tools as seen in FIG. 2; and,
FIG. 7 is a bottom view of the offset drive attachment for rotary tools as seen in FIG. 5.
The broken line showing of environmental structure is for illustrative purposes only and forms no part of the claimed design.

1 Claim, 2 Drawing Sheets



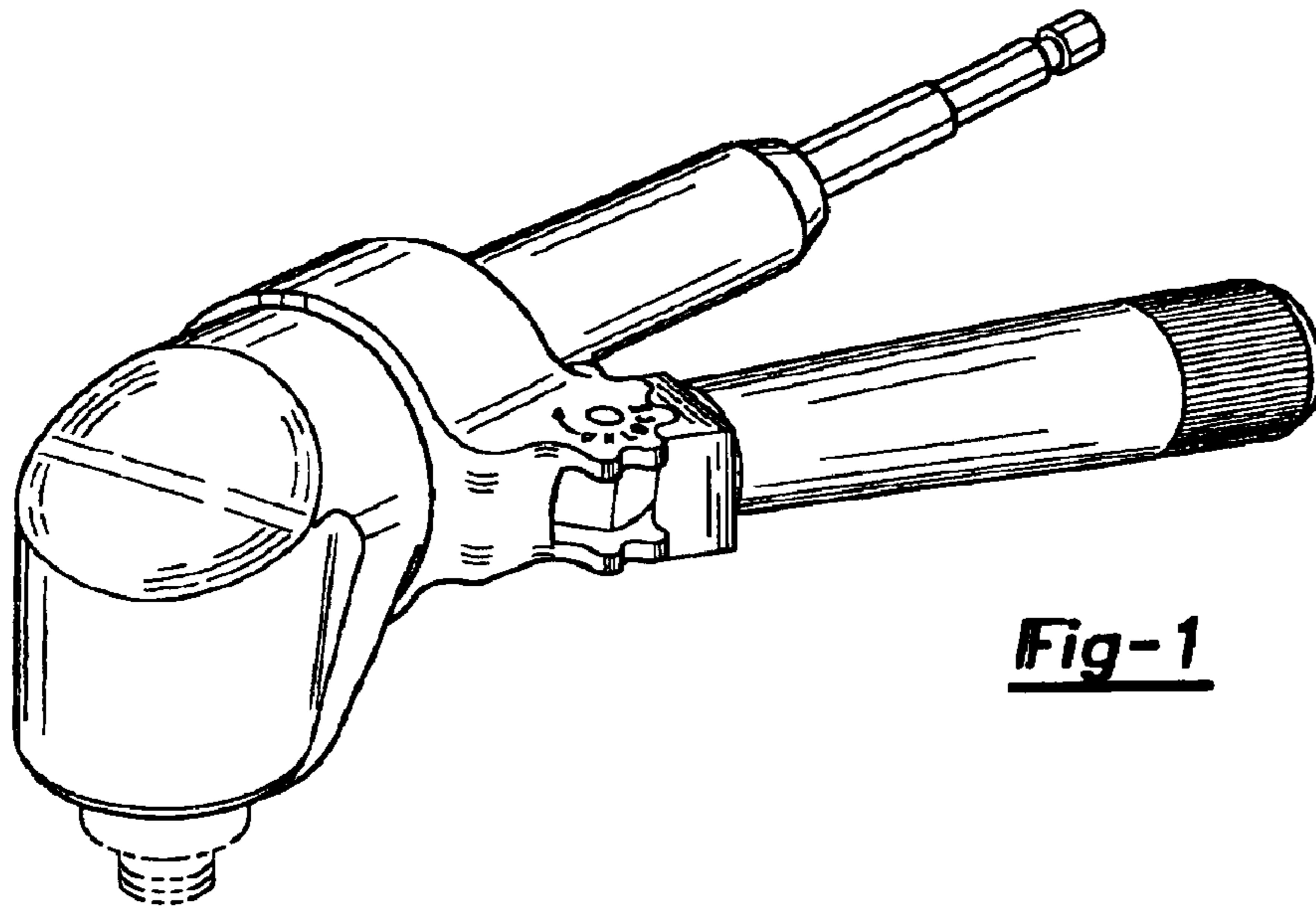


Fig-1

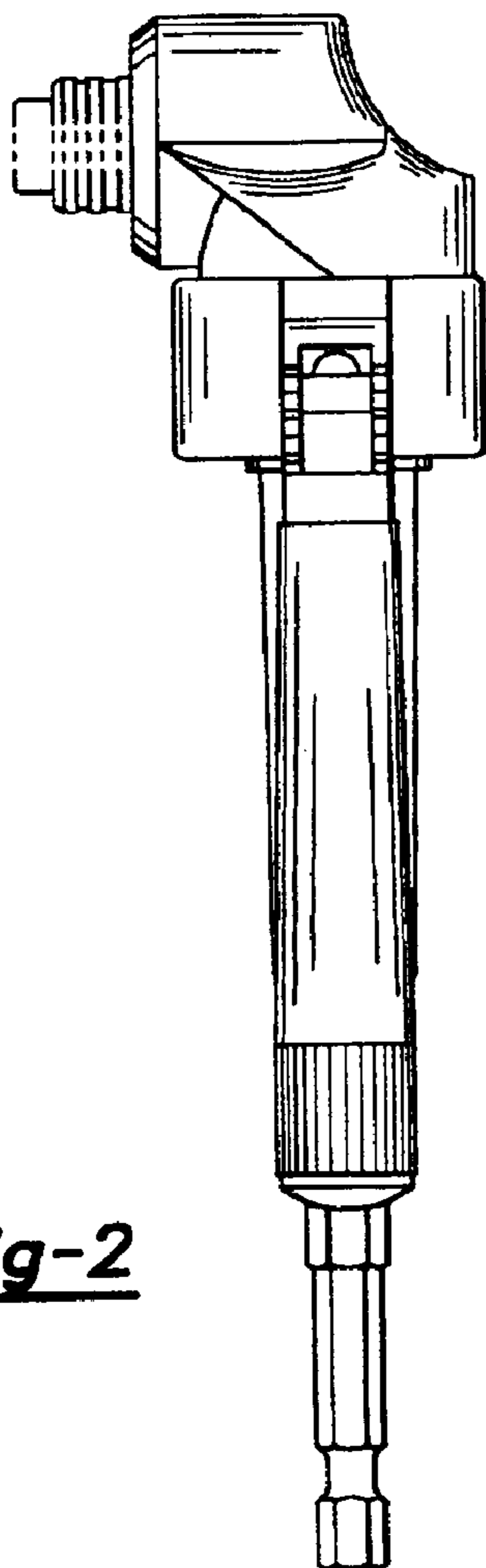


Fig-2

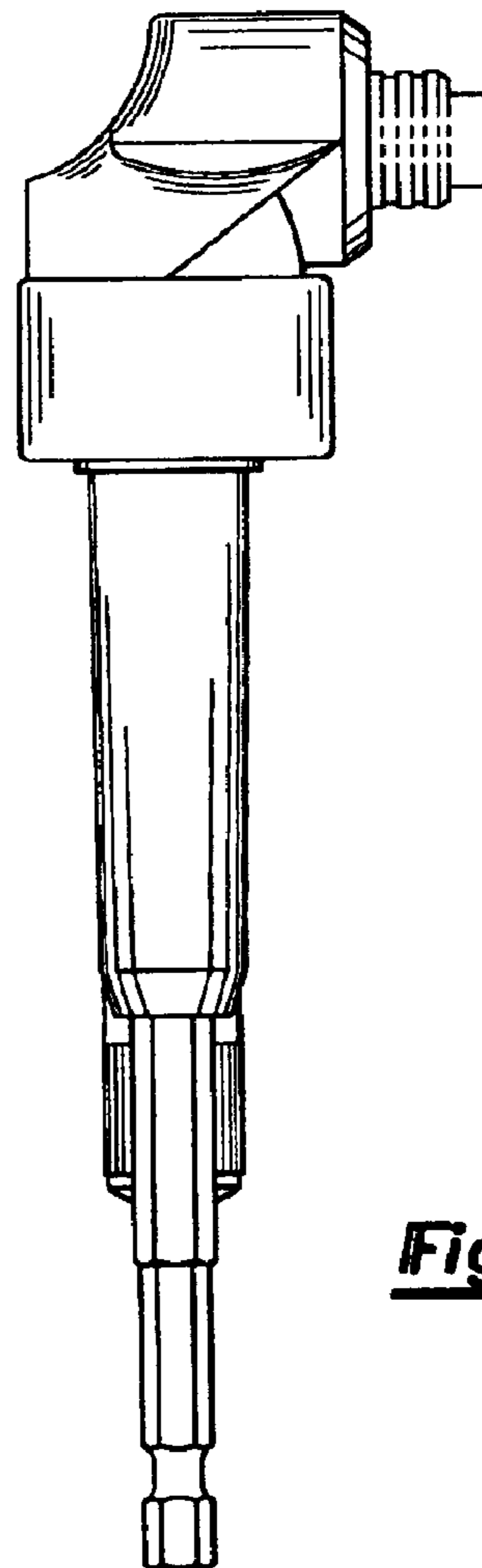


Fig-3

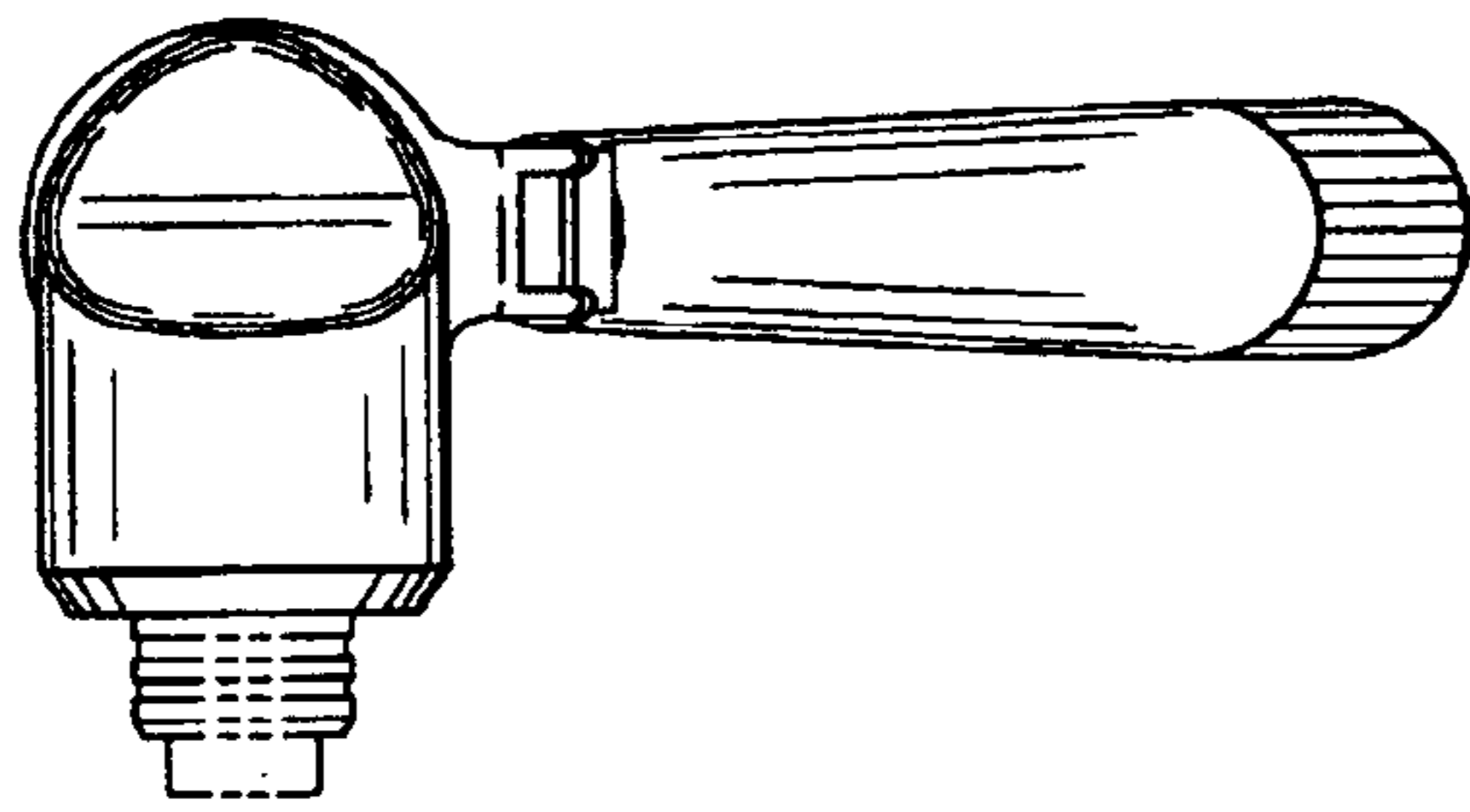


Fig-4

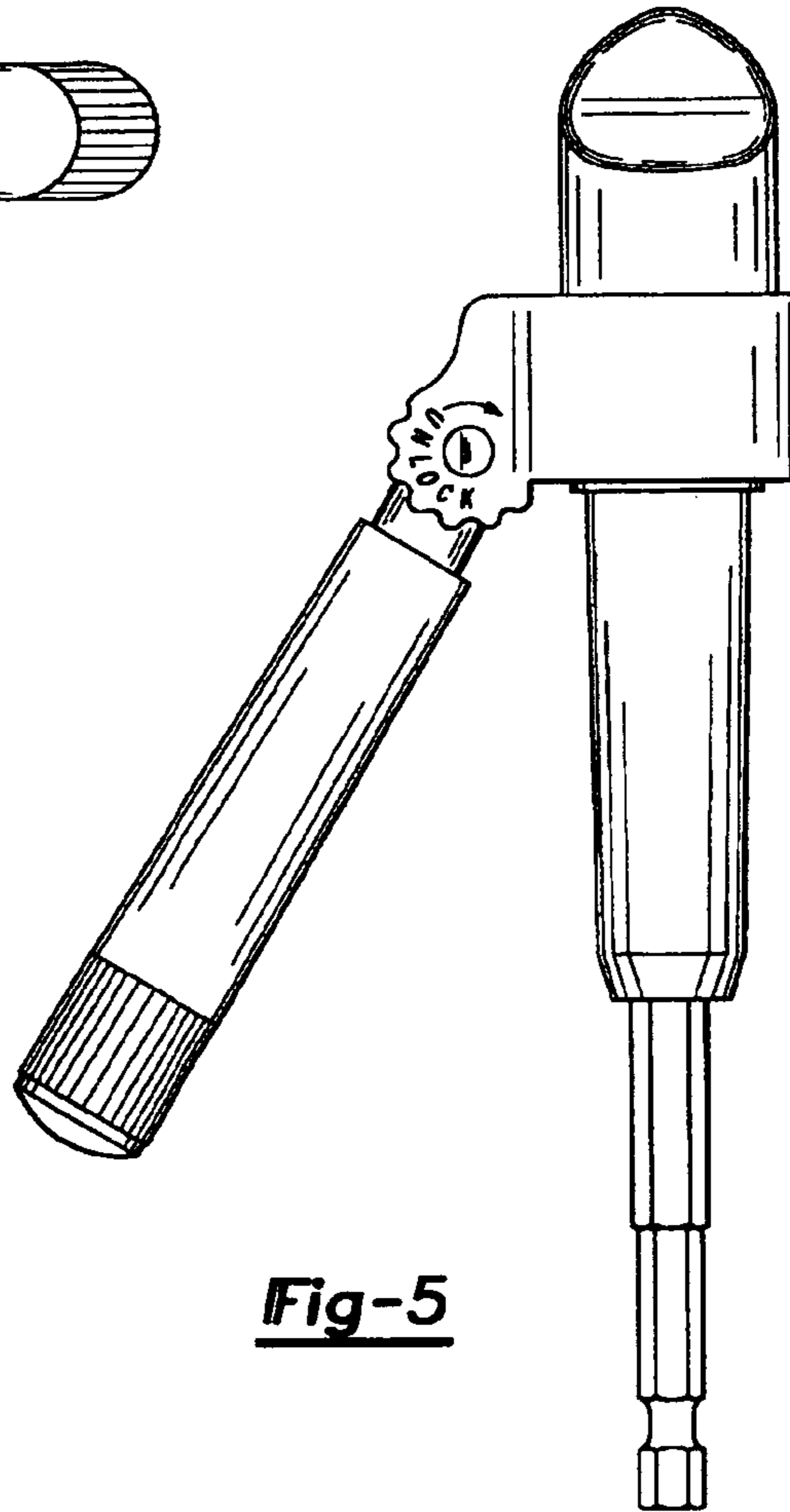


Fig-5

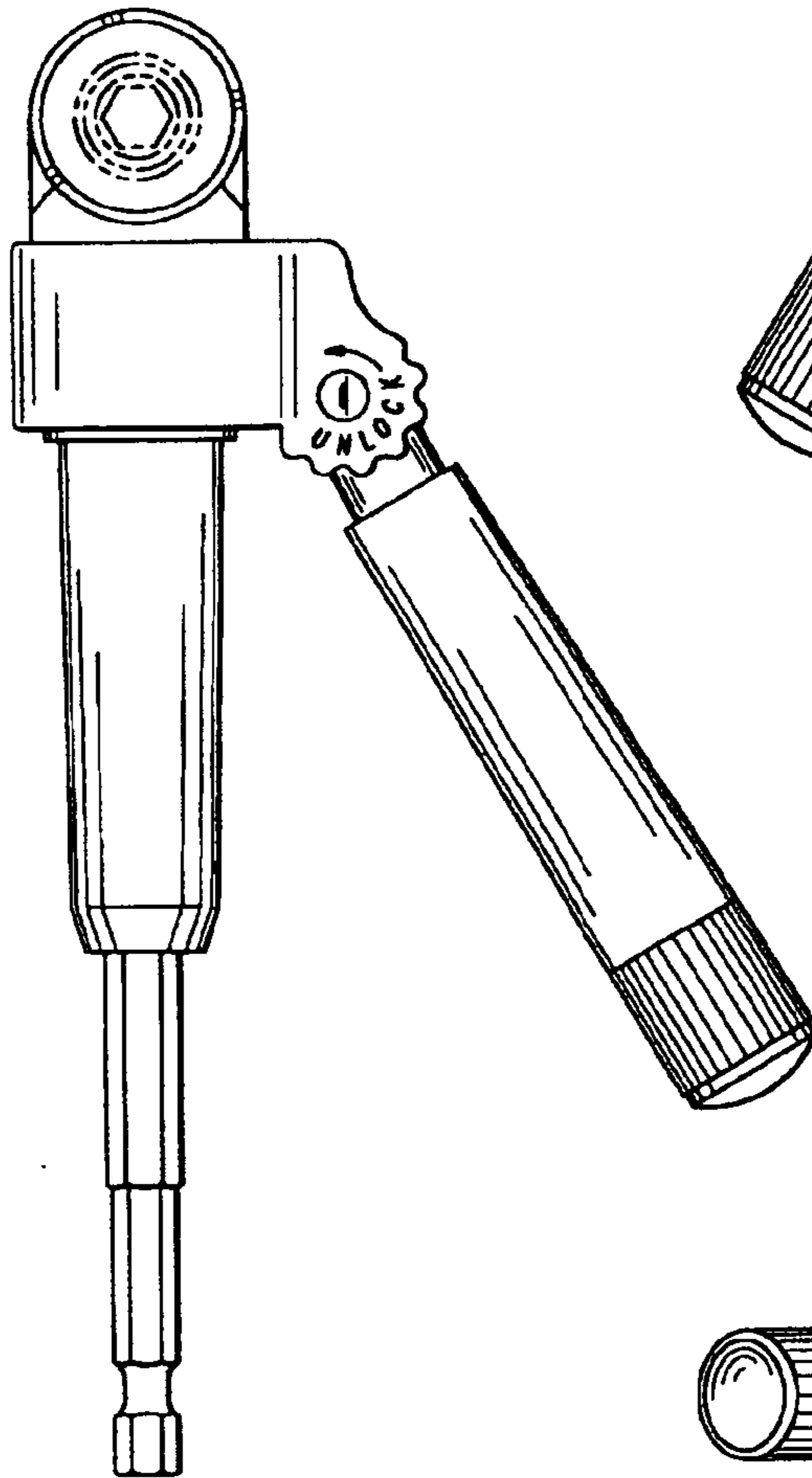


Fig-6

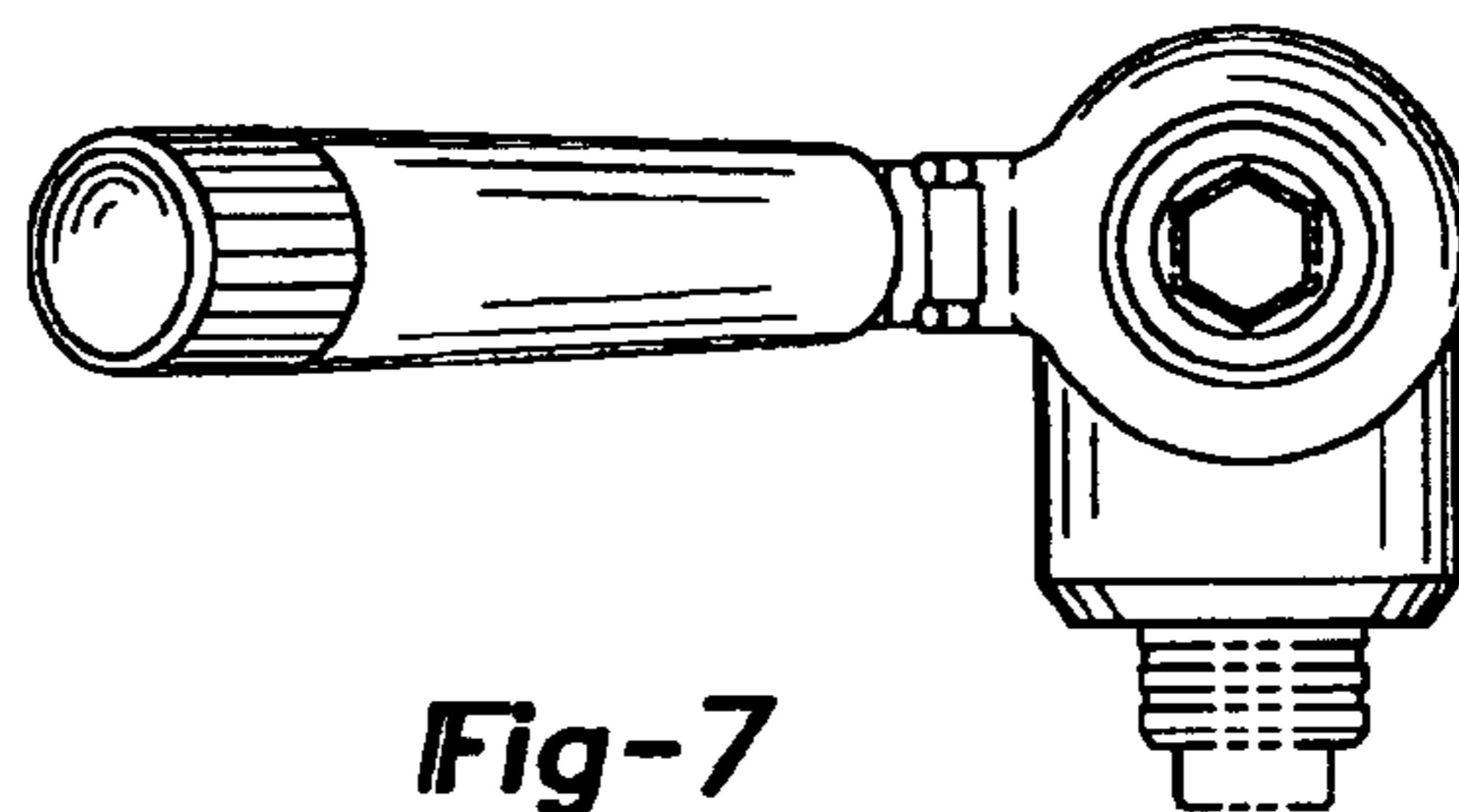


Fig-7