



US00D510849S

(12) **United States Design Patent** (10) **Patent No.:** **US D510,849 S**
Carlson et al. (45) **Date of Patent:** **** Oct. 25, 2005**

(54) **OVERMOLD GRIP FOR A SANDER**

(75) Inventors: **Russell C. Carlson**, Simpsonville, SC (US); **Daniel Alex Chunn**, Kowloon (HK); **Ka Wai Chung**, New Territories (HK)

(73) Assignee: **One World Technolgies Limited**, Hamilton (BM)

(**) Term: **14 Years**

(21) Appl. No.: **29/213,904**

(22) Filed: **Sep. 24, 2004**

(51) **LOC (8) Cl.** **08-01**

(52) **U.S. Cl.** **D8/62**

(58) **Field of Search** D8/61, 62, 70; 173/170, 171, 217; 310/50; 451/344, 351, 353, 354, 355, 356, 357, 358, 359, 451, 456; 81/54, 474

D404,626 S	*	1/1999	Hall et al.	D8/68
5,934,985 A		8/1999	Clowers et al.		
5,941,765 A		8/1999	Taylor		
D416,112 S		11/1999	Holliday et al.		
D434,298 S	*	11/2000	Izumisawa	D8/68
6,224,471 B1		5/2001	Clowers et al.		
6,248,007 B1		6/2001	deBlois et al.		
D448,262 S	*	9/2001	Heun	D8/62
6,340,513 B1		1/2002	Hammond et al.		
D468,178 S		1/2003	Campbell et al.		
D468,608 S	*	1/2003	Wacker et al.	D8/62
6,506,107 B2		1/2003	Clowers et al.		
6,669,543 B2		12/2003	Price et al.		
D488,365 S		4/2004	Liu		
D497,297 S	*	10/2004	Wacker et al.	D8/62
D498,399 S	*	11/2004	Wu	D8/62
2003/0032381 A1	*	2/2003	Dutterer et al.	451/357
2003/0094294 A1		5/2003	Fritz		
2004/0078936 A1		4/2004	Walker et al.		
2004/0098836 A1		5/2004	Walker et al.		
2005/0003748 A1	*	1/2005	Dutterer et al.	451/357

* cited by examiner

(56) **References Cited**

U.S. PATENT DOCUMENTS

D269,845 S	7/1983	Hutchins	
4,467,565 A	8/1984	Wallace et al.	
4,592,170 A	6/1986	Hutchins et al.	
4,660,329 A	4/1987	Hutchins	
4,671,019 A	6/1987	Hutchins	
4,879,847 A	11/1989	Butzen et al.	
4,954,862 A	9/1990	Lee et al.	
D317,244 S	6/1991	Bunyea	
D323,963 S	* 2/1992	Bunyea D8/62
D326,398 S	5/1992	Fushiya et al.	
5,267,487 A	12/1993	Falco et al.	
D345,089 S	3/1994	Kikuchi et al.	
D347,778 S	6/1994	Clowers et al.	
D351,544 S	* 10/1994	Izumisawa D8/62
5,518,442 A	5/1996	Clowers et al.	
D386,376 S	11/1997	Kaneko et al.	
5,709,596 A	1/1998	Alexander et al.	
5,791,977 A	8/1998	Clowers et al.	
D403,936 S	* 1/1999	Somers D8/68

Primary Examiner—Joel A. Sincavage

Assistant Examiner—Elizabeth Albert

(74) *Attorney, Agent, or Firm*—Brinks Hofer Gilson & Lione

(57) **CLAIM**

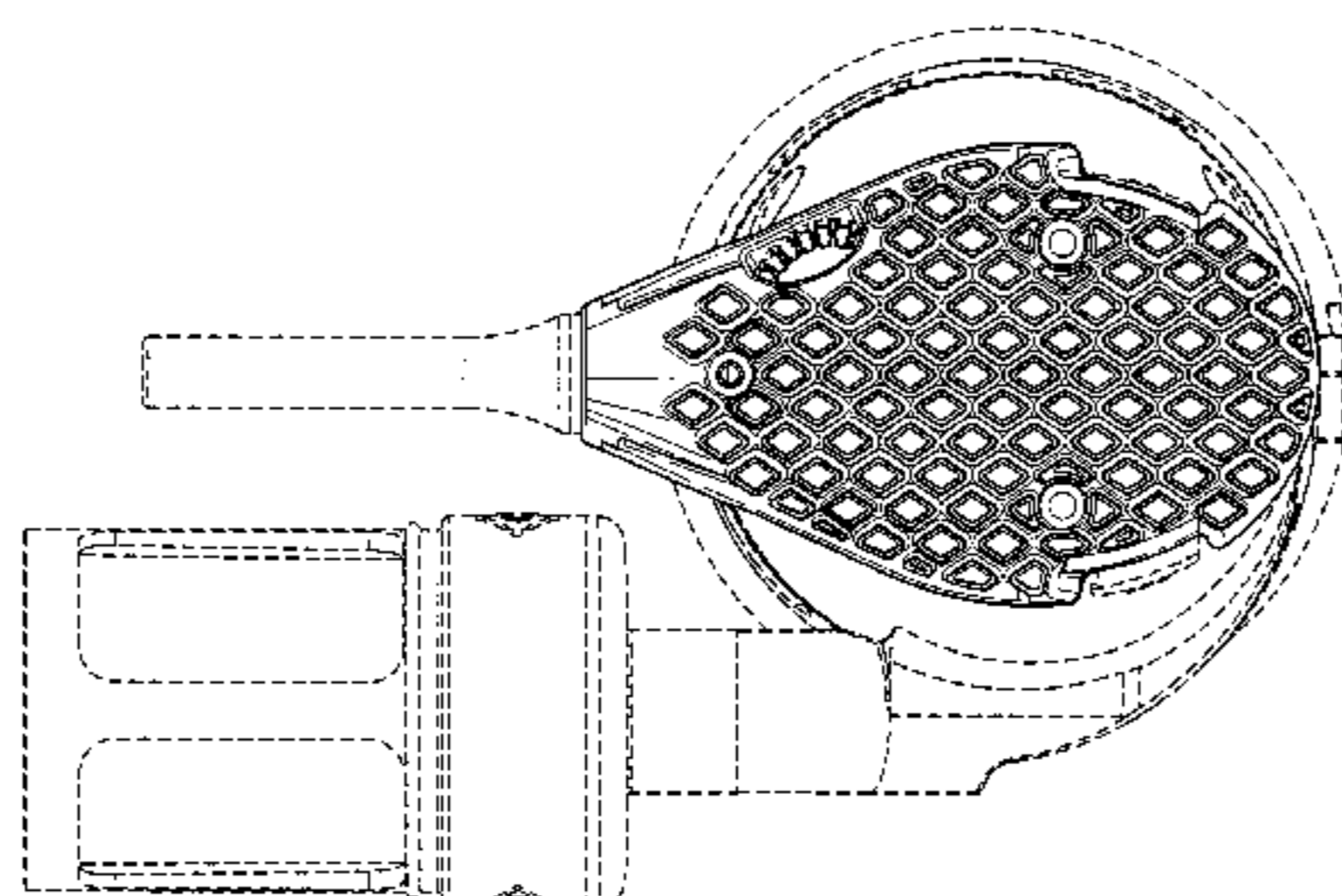
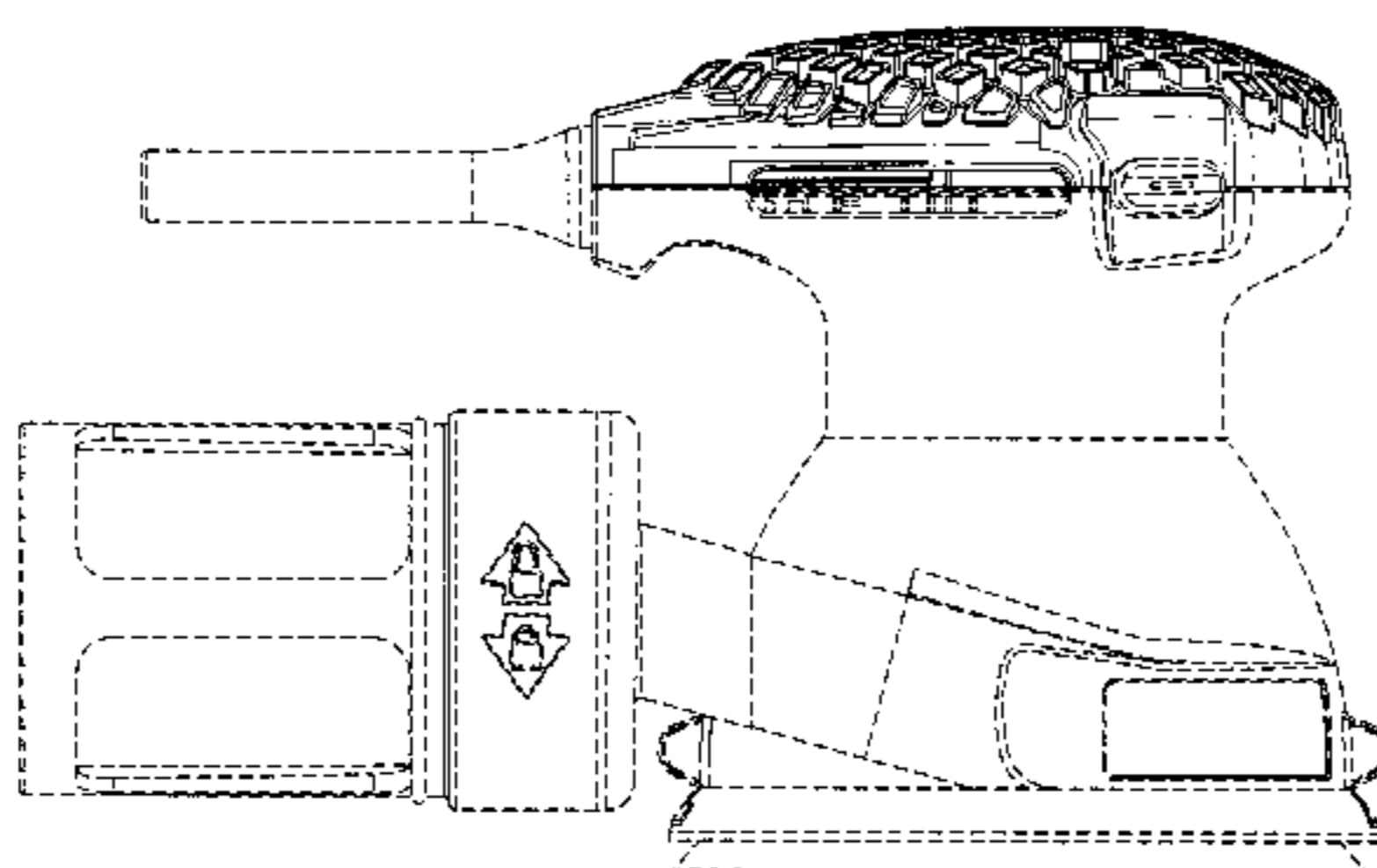
We claim the ornamental design for an overmold grip for a sander, as shown and described.

DESCRIPTION

FIG. 1 is a first side view of a first embodiment of an overmold grip for a sander of the present invention; FIG. 2 is a second side view thereof; FIG. 3 is a top view thereof; FIG. 4 is a bottom view thereof; FIG. 5 is a front view thereof; and, FIG. 6 is a rear view thereof.

Any broken lines in the drawings are for illustrative purposes only and form no part of the claimed design.

1 Claim, 3 Drawing Sheets



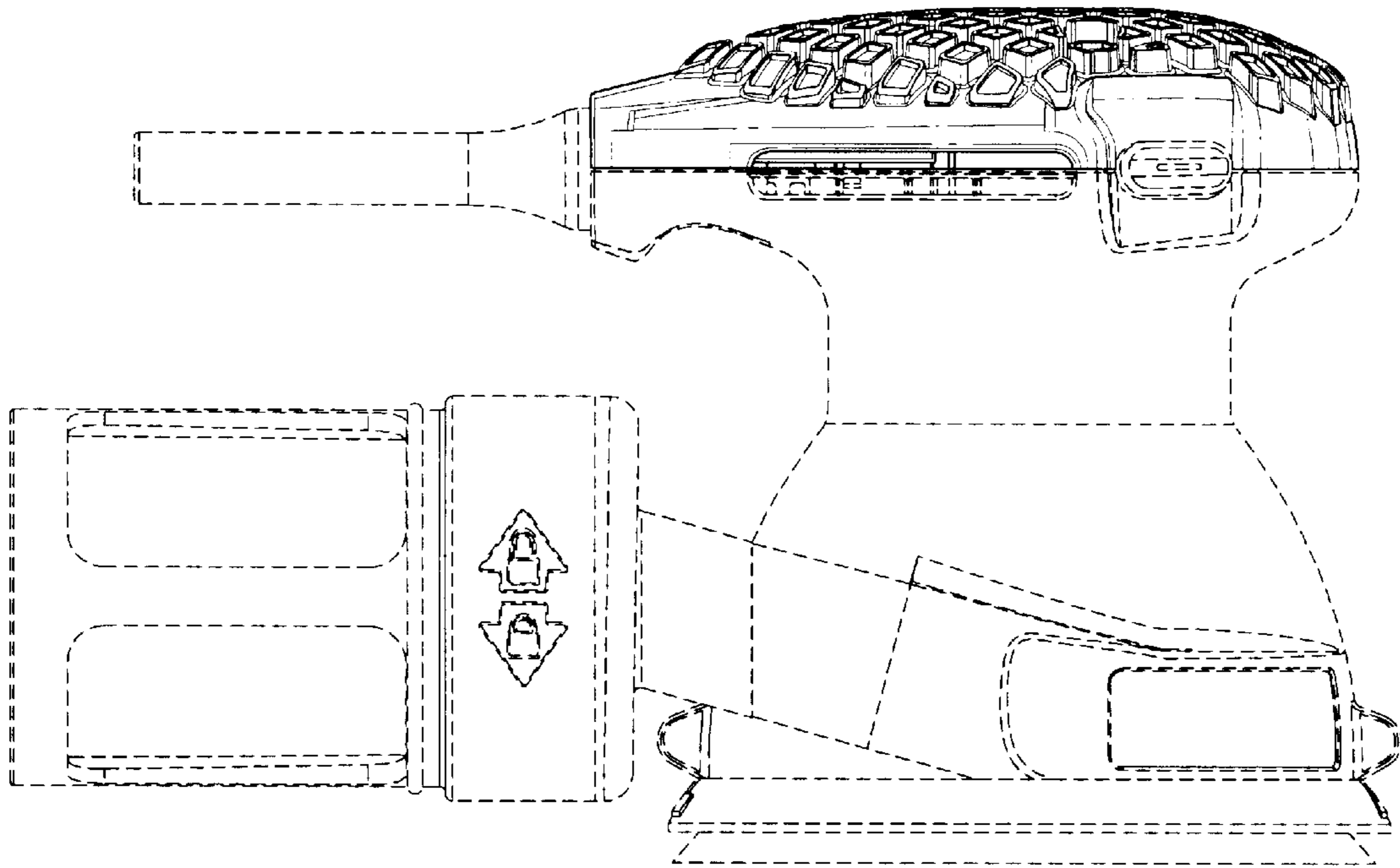


FIG. 1

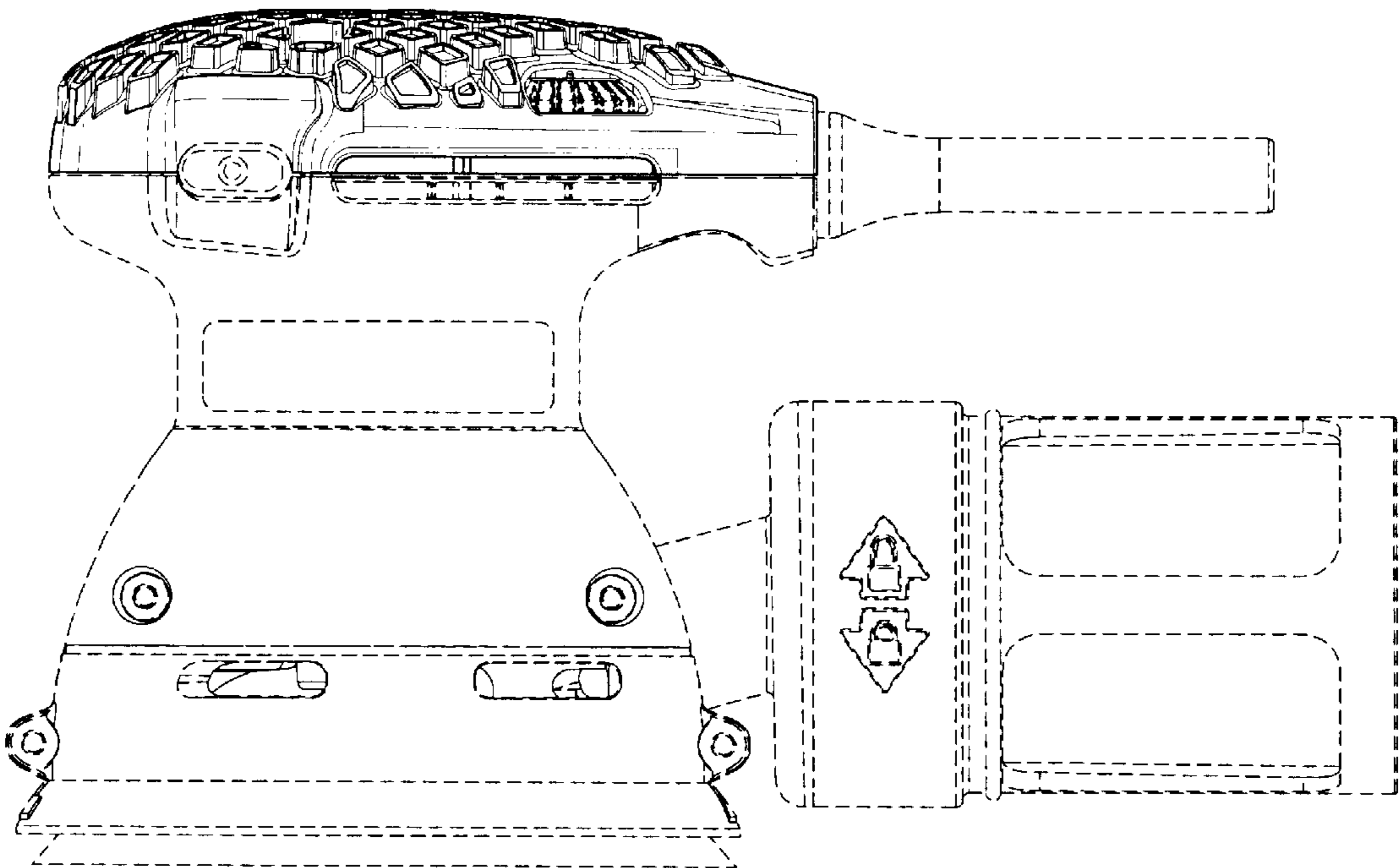


FIG. 2

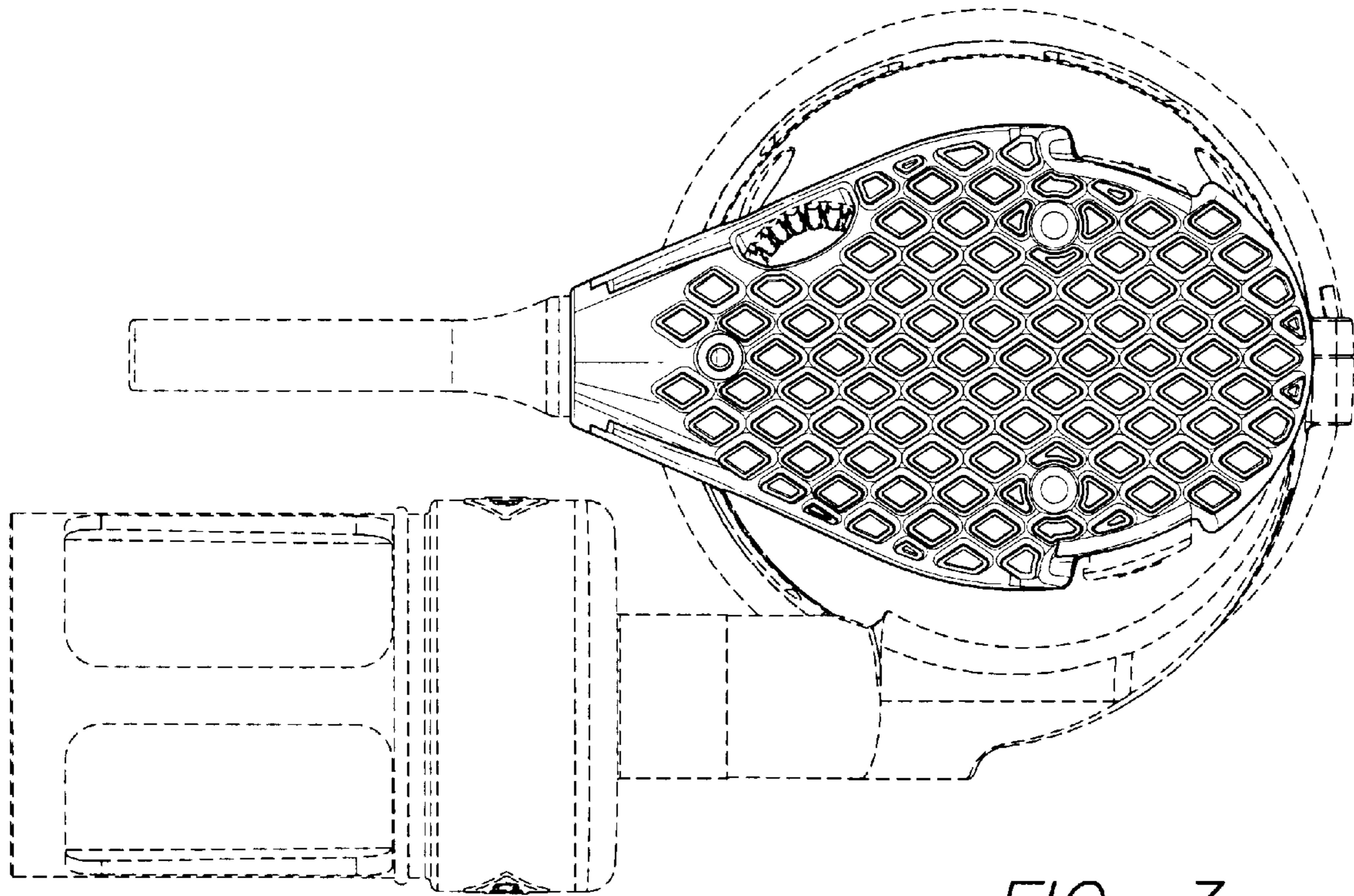


FIG. 3

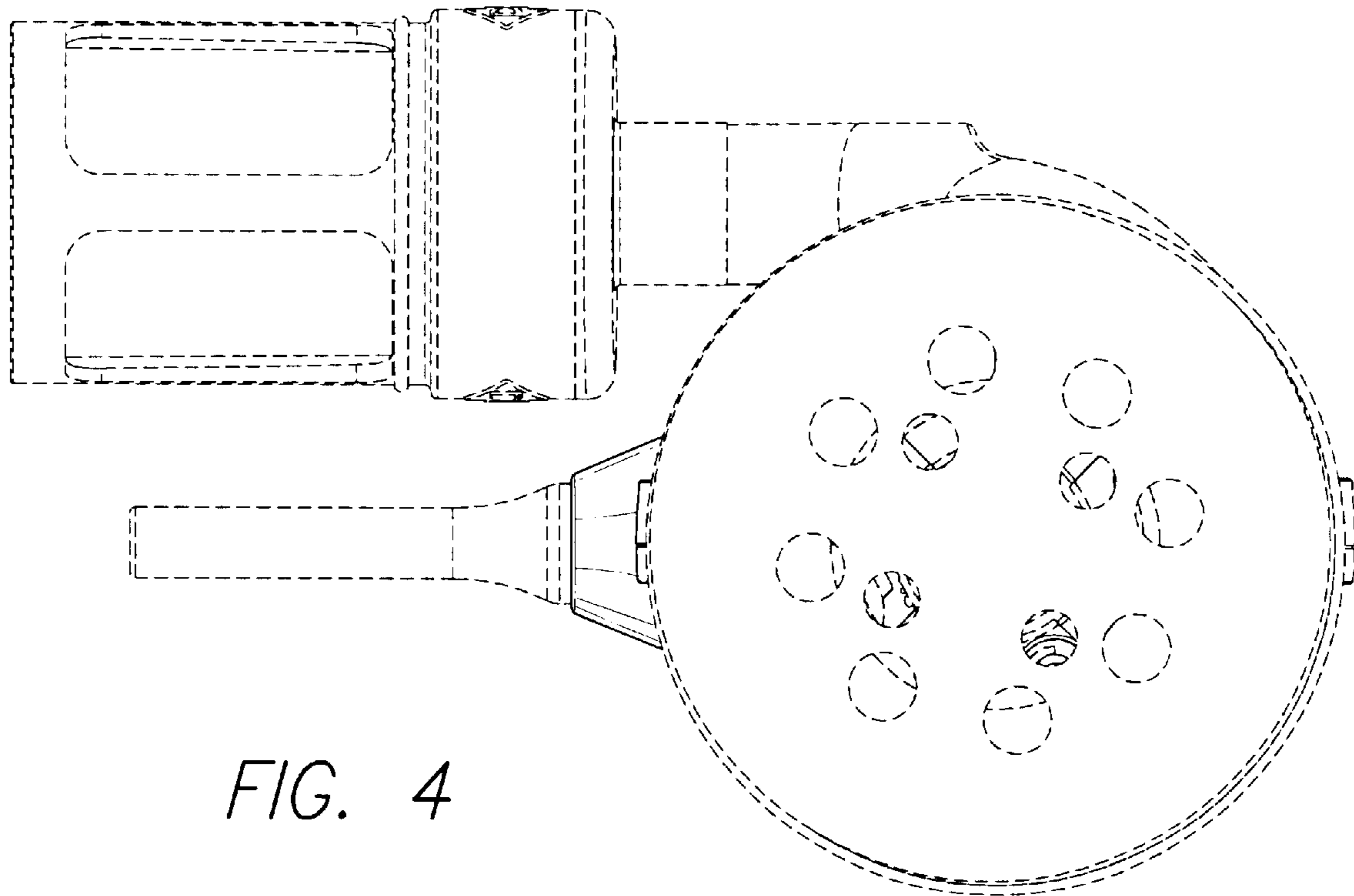


FIG. 4

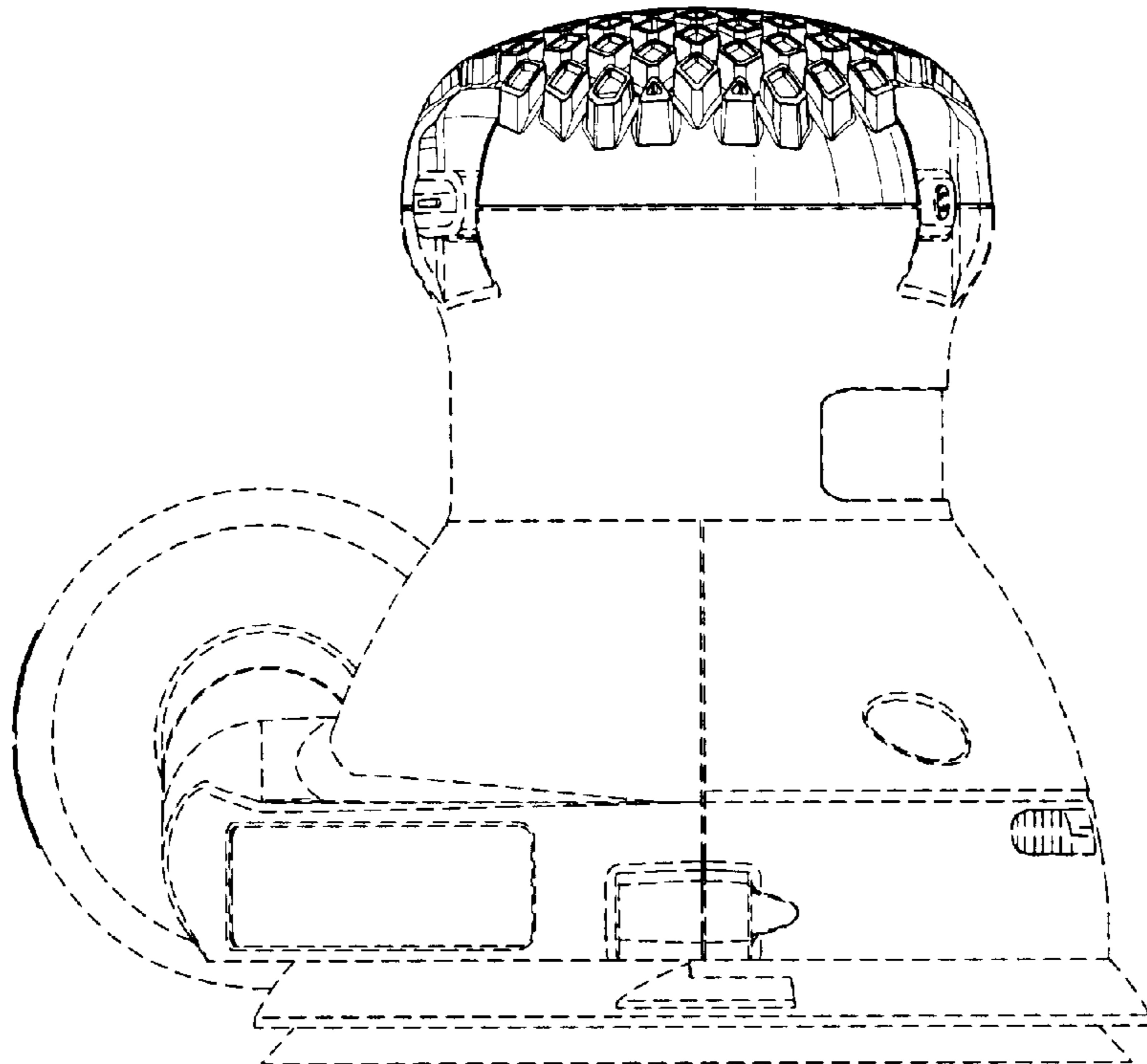


FIG. 5

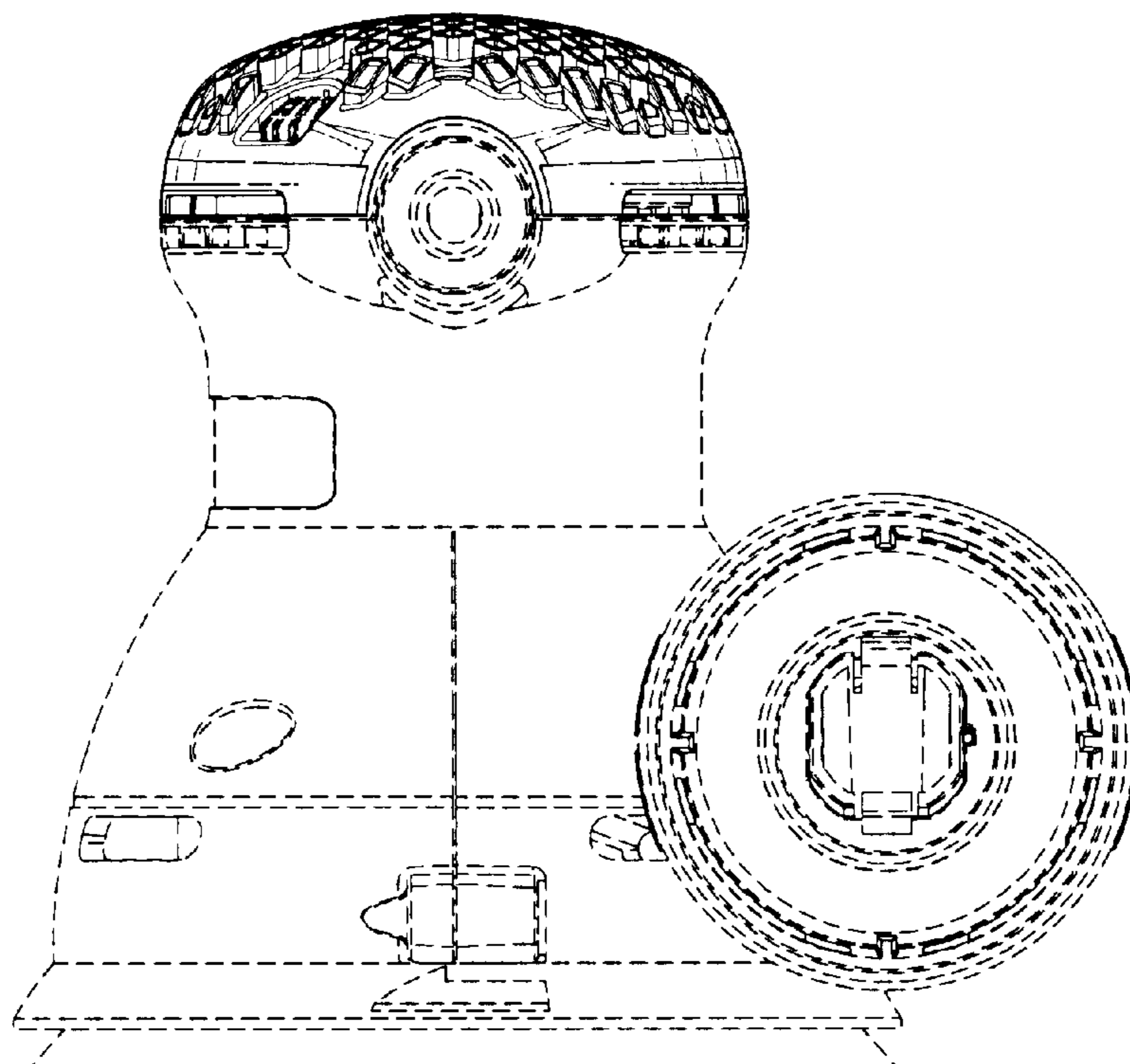


FIG. 6